

Linear units SLE



# Linear units SLE

Key features

FESTO

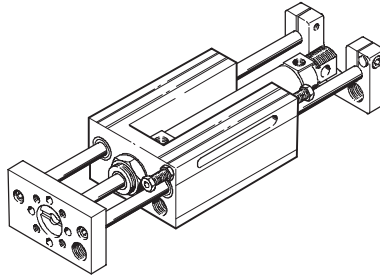
## Version

The linear unit SLE is a combination of a guide unit and a standard cylinder. The cylinder moves a flange plate.

The modular system allows for individualised end-position cushioning and end-position sensing solutions.

## Basic unit

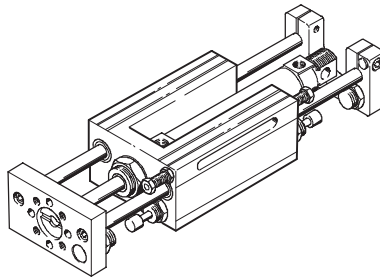
SLE-...-G



## Standard unit

SLE-...-S

with two self-adjusting shock absorbers and two inductive proximity sensors with PNP output



# Linear units SLE

Key features

## Multi-axis combinations

The linear unit SLE can be combined with a further linear unit SLE or a linear drive SLM to produce a range of 2-axis or 3-axis systems.

These multi-axis configurations are formed by screwing the units together, either directly or using an adapter plate. A linear unit SLE can be combined with another linear unit SLE using either method, however direct mounting is almost always required for a linear drive SLM and linear unit SLE.

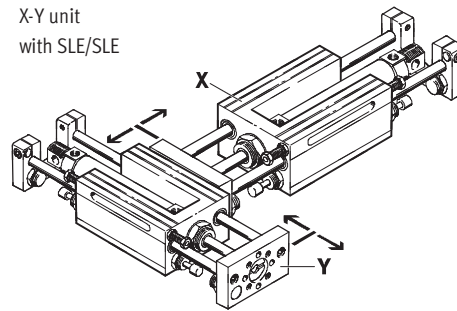
The centring pins and sleeves required to secure the units together are included in the scope of delivery.

Linear drive SLM  
→ Internet: slm

### with linear unit SLE

X	Y	Z
<b>2 axes</b>		
SLE-16	SLE-10	–
SLE-20	SLE-16	–
SLE-25	SLE-16	–
SLE-32	SLE-20 or SLE-25	–
SLE-40	SLE-32	–
SLE-50	SLE-40	–
<b>3 axes</b>		
SLE-20	SLE-16	SLE-10
SLE-25	SLE-16	SLE-10
SLE-32	SLE-20 or SLE-25	SLE-16
SLE-40	SLE-32	SLE-20 or SLE-25
SLE-50	SLE-40	SLE-32

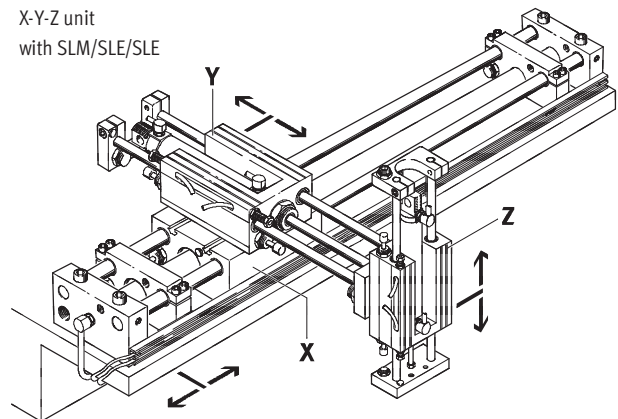
X-Y unit with SLE/SLE



### with linear drive SLM

X	Y	Z
<b>2 axes</b>		
SLM-12	SLE-10	–
SLM-16 <sup>1)</sup>	SLE-10	–
SLM-20	SLE-16	–
SLM-25 <sup>2)</sup>	SLE-16	–
SLM-32	SLE-20 or SLE-25	–
SLM-40	SLE-32	–
<b>3 axes</b>		
SLM-20	SLE-16	SLE-10
SLM-25 <sup>2)</sup>	SLE-16	SLE-10
SLM-32	SLE-20 or SLE-25	SLE-16
SLM-40	SLE-32	SLE-20 or SLE-25

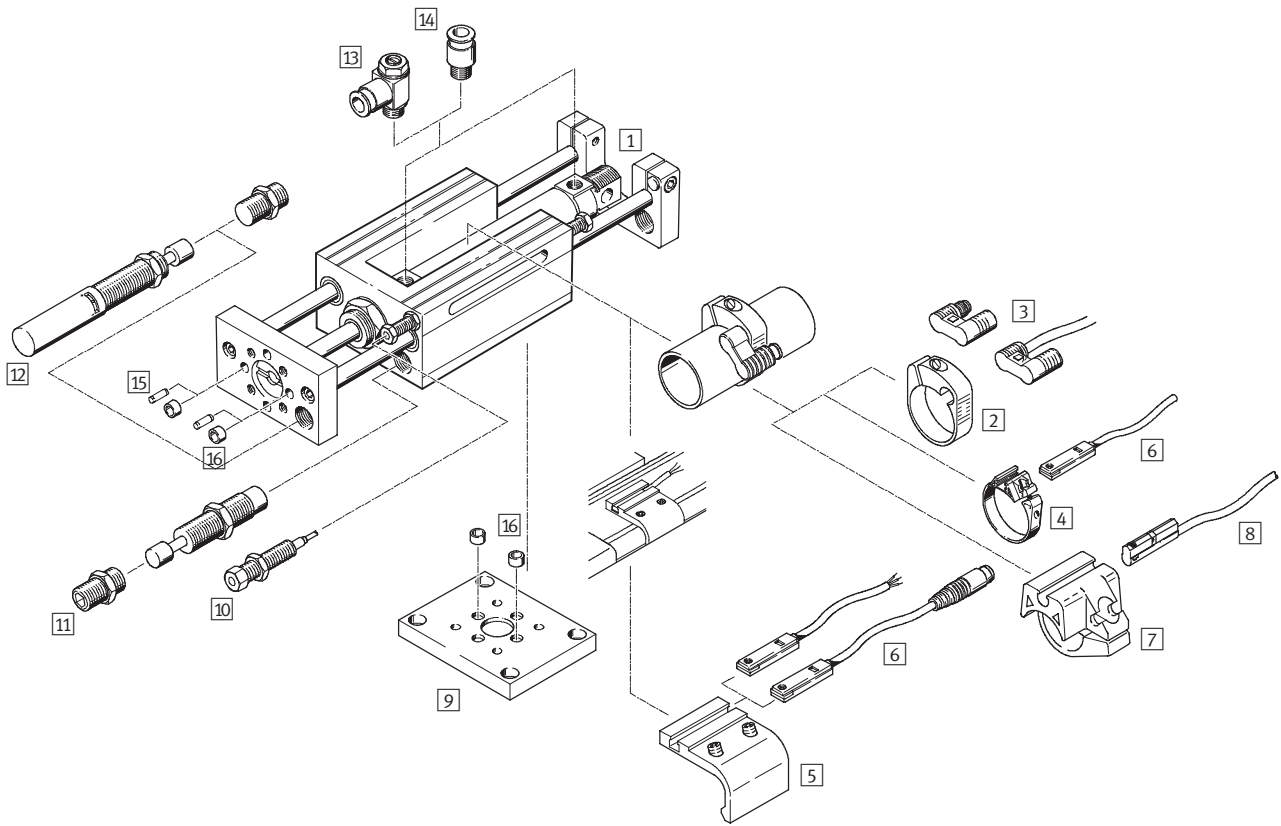
X-Y-Z unit with SLM/SLE/SLE



- 1) A mounting plate SLEP-10 (→ 17) is required for mounting (direct mounting is not possible).
- 2) A mounting plate SLEP-16 (→ 17) is required for mounting (direct mounting is not possible).

# Linear units SLE

Peripherals overview



# Linear units SLE

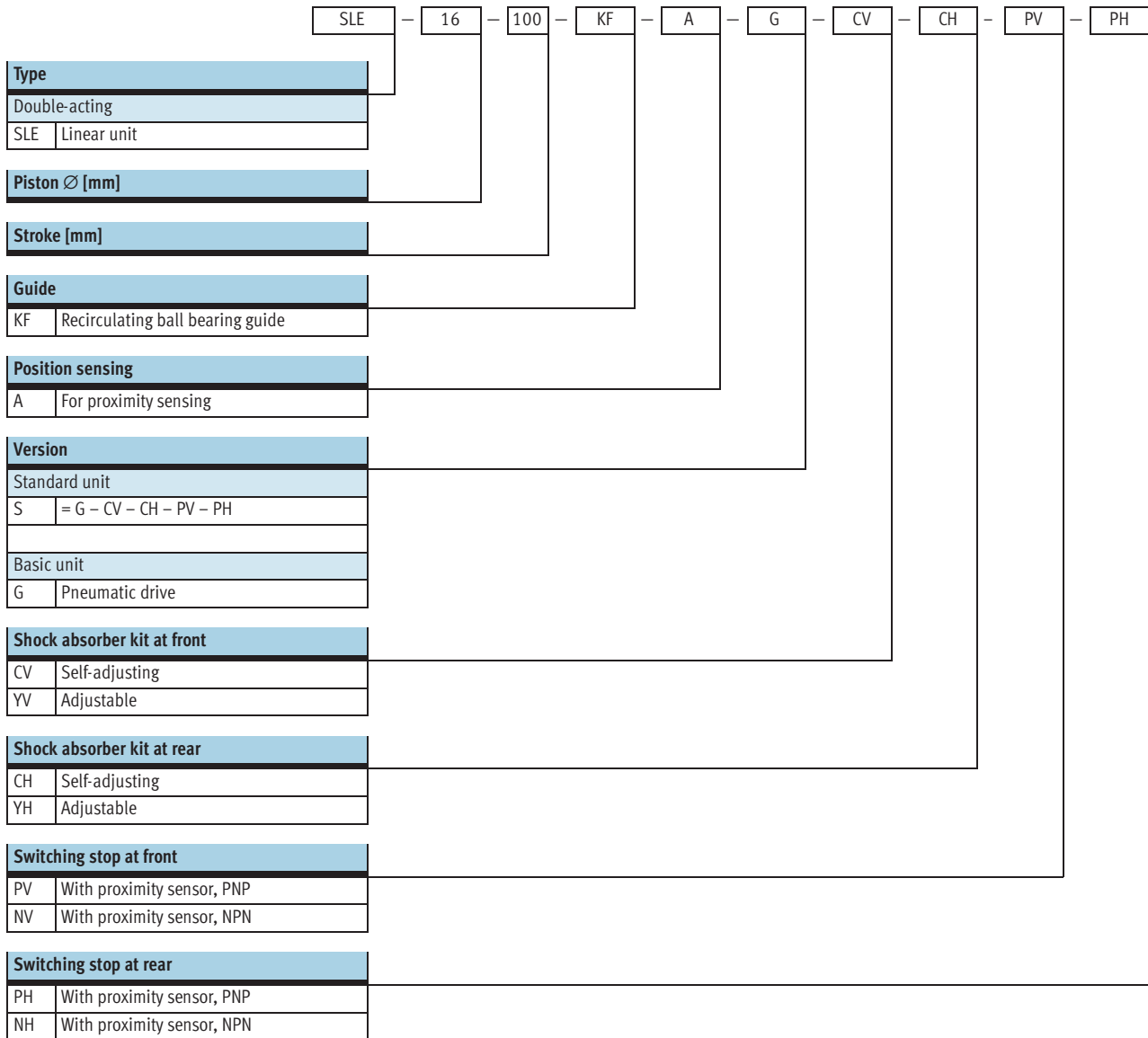
Peripherals overview

FESTO

Accessories					
	Brief description	Piston Ø 10 ... 20 mm	Piston Ø 25 mm	Piston Ø 32 ... 50 mm	→ Page/Internet
1	Standard cylinder DSNU	■	■	-	19
	Standard cylinder DNC	-	-	■	19
2	Mounting kit SMBR	■	■	-	19
3	Proximity sensor SMEO/SMTO-4U	■	■	-	19
4	Mounting kit SMBR-8	■ Ø 20	■	-	20
5	Mounting kit SMB-8-FENG	-	-	■	20
6	Proximity sensor SME/SMT-8	■ Ø 20	■	■	20
7	Mounting kit SMBR-10	■ Ø 20	■	-	21
8	Proximity sensor SME/SMT-10	■ Ø 20	■	-	21
9	Adapter plate SLEP	■	■	■	17
10	Switching stop with proximity sensor SL-...-SIE-PS/SL-...-SIE-NS	■	■	■	17
11	Shock absorber kit, self-adjusting SLE-...-YSR-C	■	■	■	16
12	Shock absorber kit, adjustable SLZ-...-KF-A	■ Ø 20	■	■	16
13	One-way flow control valve GRLA	■	■	■	22
14	Push-in fitting QS	■	■	■	quick star
15	Centring pin ZBS	■	-	-	18
16	Centring sleeve ZBH	-	■	■	18

# Linear units SLE

Type codes



# Linear units SLE

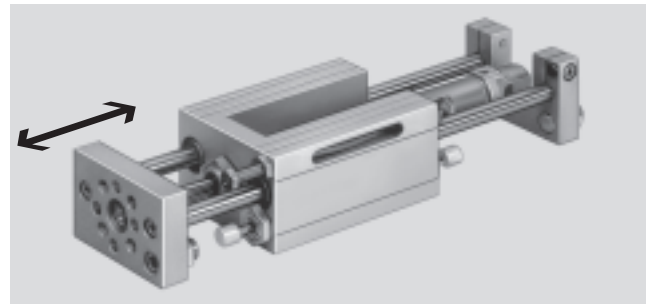
Technical data



FESTO

Function



 www.festo.com



-  - Diameter  
10 ... 50 mm
-  - Stroke length  
10 ... 500 mm

General technical data							
Piston $\varnothing$	10	16	20	25	32	40	50
Stroke [mm]	10 ... 100	10 ... 200	10 ... 320		10 ... 500		
Pneumatic connection	M5		G $\frac{1}{8}$		G $\frac{1}{4}$		
Mode of operation	Double-acting						
Constructional design	Linear unit						
	Standard cylinder						
End-position cushioning via shock absorber	Self-adjusting at both ends						
	-		Adjustable at both ends				
Position sensing	For proximity sensing						
Type of mounting	Via through-holes						
	Via female thread						
Mounting position	Any						
Protection against torsion/guide	Guide rods with yoke/ball bearing guide						

Operating and environmental conditions							
Piston $\varnothing$	10	16	20	25	32	40	50
Operating medium	Filtered compressed air, lubricated or unlubricated						
Operating pressure [bar]	2.5 ... 10				1.5 ... 12		
Ambient temperature <sup>1)</sup> [°C]	-20 ... +80						

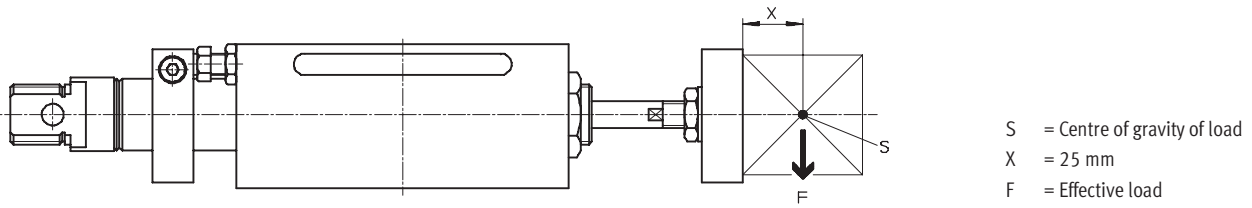
1) Note operating range of proximity sensors.

Forces [N]							
Piston $\varnothing$	10	16	20	25	32	40	50
Theoretical force at 6 bar, advancing	47	121	188	295	483	754	1178
Theoretical force at 6 bar, retracting	40	104	158	247	415	633	990

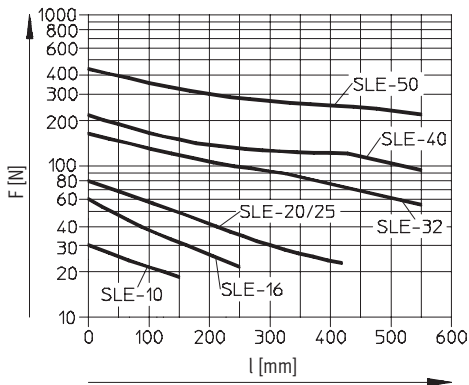
# Linear units SLE

Technical data

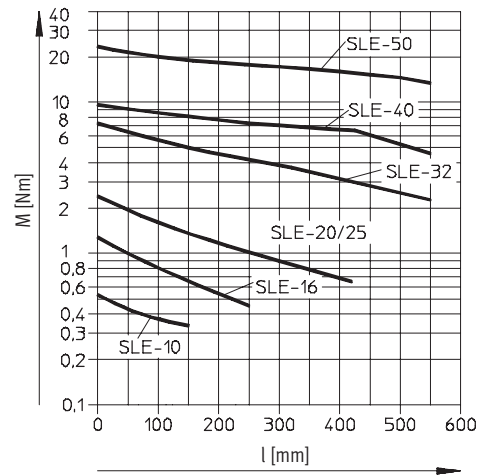
## Permissible dynamic load



## Permissible effective load F as a function of the stroke l



## Permissible torque M as a function of the stroke l



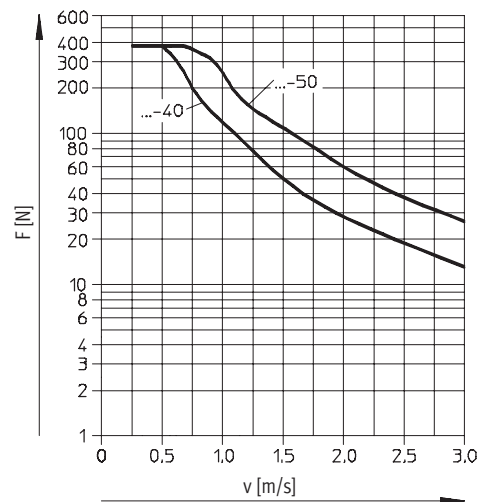
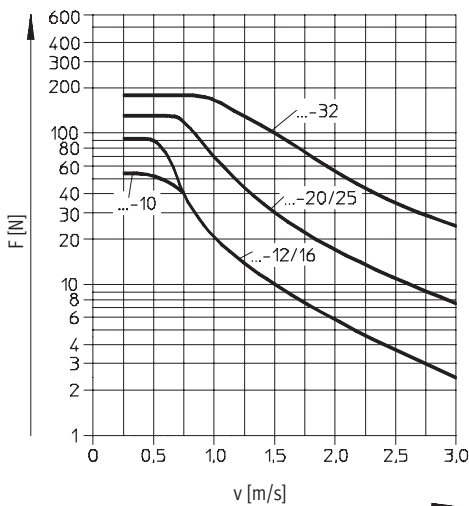
## Permissible shock absorber load F as a function of the impact velocity v

with horizontal installation

$$F \geq m_L \times g$$

$$g = 9.81 \text{ N/mm}^2$$

$$m_L = \text{Load [kg]}$$





# Linear units SLE

Technical data

## Permissible shock absorber load F as a function of the impact velocity v

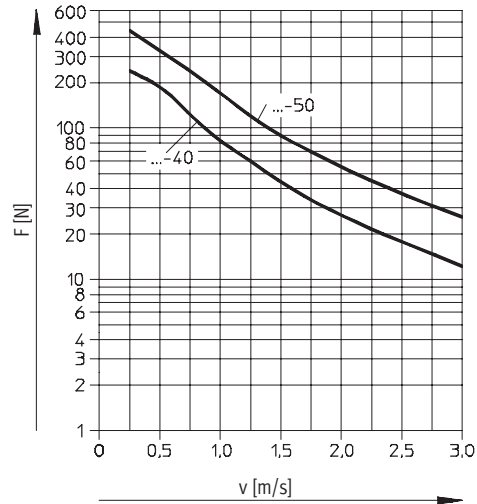
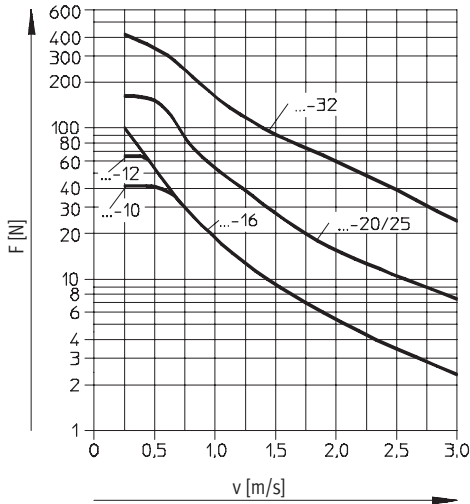
with vertical installation

$$F \geq (m_L + m_E) \times g$$

$$g = 9.81 \text{ N/mm}^2$$

$m_E$  = Moving load (dead weight) [kg]

$m_L$  = Load [kg]



Weights [g]							
Piston Ø	10	16	20	25	32	40	50
Product weight with 0 mm stroke	560	913	1882	1942	4300	6175	9200
Additional weight per 10 mm stroke	10	13	19	23	57	85	125
Moving load with 0 mm stroke	160	230	500	500	1500	2200	3600
Additional load per 10 mm stroke	8	8	12	12	31	49	77

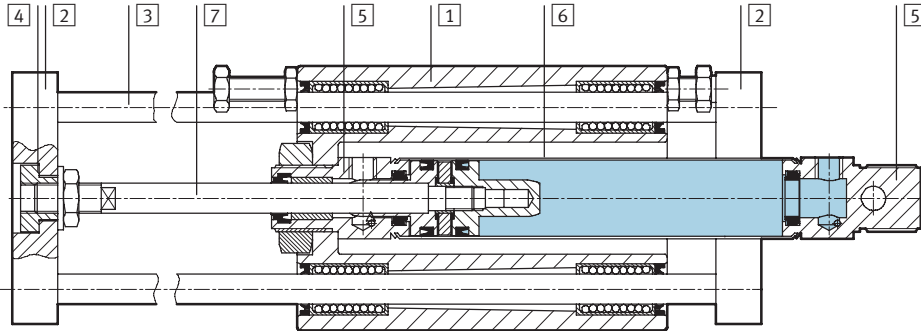
# Linear units SLE

Technical data

FESTO

## Materials

Sectional view



## Linear unit

1	Housing	∅ 10 ... 25	Die-cast aluminium
		∅ 32 ... 50	Wrought aluminium alloy
2	Yoke/end plate		Aluminium
3	Guide rod		Tempered steel
4	Coupling		Steel
5	Bearing and end caps	∅ 10 ... 25	Wrought aluminium alloy
		∅ 32 ... 50	Die-cast aluminium
6	Cylinder barrel	∅ 10 ... 25	High-alloy stainless steel
		∅ 32 ... 50	Wrought aluminium alloy
7	Piston rod	∅ 10 ... 25	High-alloy stainless steel
		∅ 32 ... 50	High-alloy steel
-	Seals		Polyurethane, nitrile rubber



# Linear units SLE

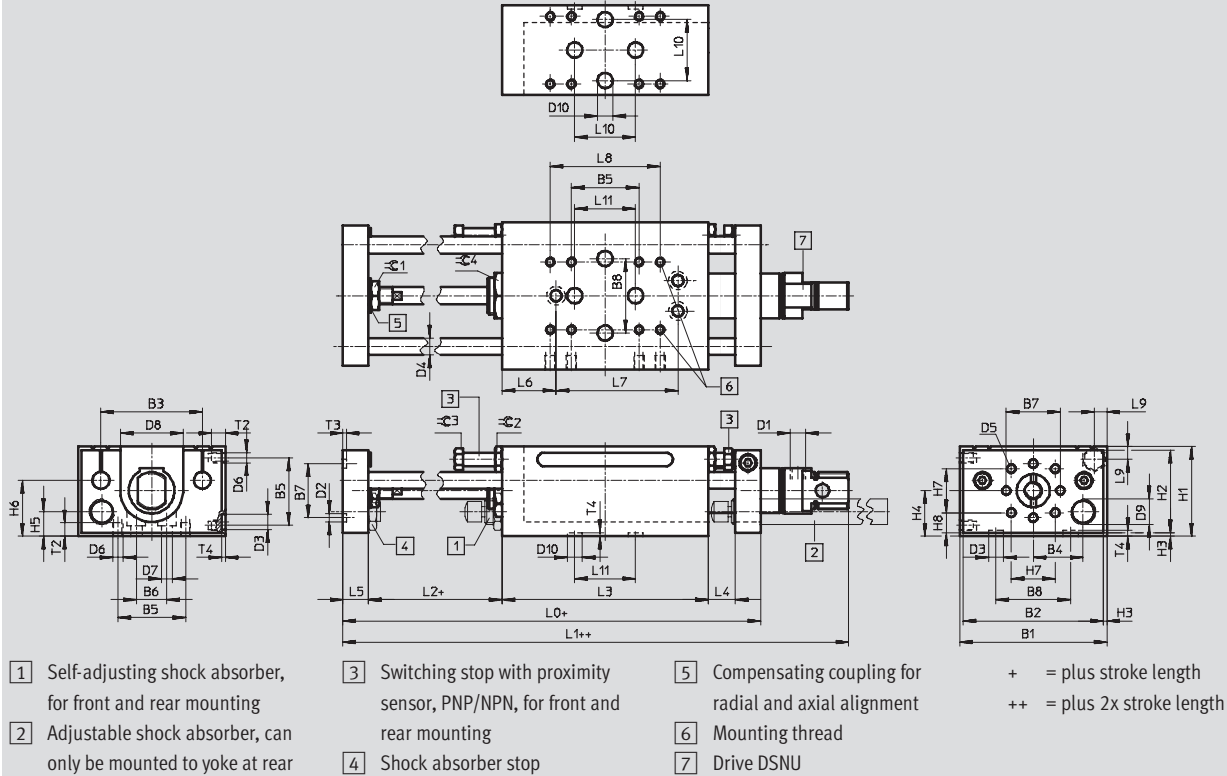
Technical data

FESTO

## Dimensions

Download CAD data → [www.festo.com](http://www.festo.com)

Piston Ø 16 ... 25 mm



Ø	B1	B2	B3	B4	B5	B6	B7	B8	D1	D2	D3	D4	D5	D6	D7
[mm]										Ø	Ø	Ø			Ø
										H7	H7	h6			
16	64	60	44	22	26	14	28	40	M5	5	9	8	M6	M5	5.5
20	87	83	60	29.5	40	18	32	40	G1/8	5	9	10	M6	M6	6.6
25	87	83	60	29.5	40	18	32	40	G1/8	5	9	10	M6	M6	6.6

Ø	D8	D9	D10	H1	H2	H3	H4	H5	H6	H7	H8	L0	L1	L2	L3
[mm]	Ø		Ø												
			H7												
16	26	M10x0.75	5	43	39	2	22	10	25	19	10.5	143	116	21	86
20	37	M15x1	9	53	49	2	27	14.5	33	26	12	197	145.5	29	122
25	37	M15x1	9	53	49	2	27	14.5	33	26	12	197	149	29	122

Ø	L4	L5	L6	L7	L8	L9	L10	L11	T2	T3	T4	≈C1	≈C2	≈C3	≈C4
[mm]															
16	12	12	21	54	40	6	–	32	7	2	2	10	10	8	19
20	16	15	32	72	65	7.5	40	40	8	2	2.1	17	13	11	27
25	16	15	32	72	65	7.5	40	40	8	2	2.1	17	13	11	27

# Linear units SLE

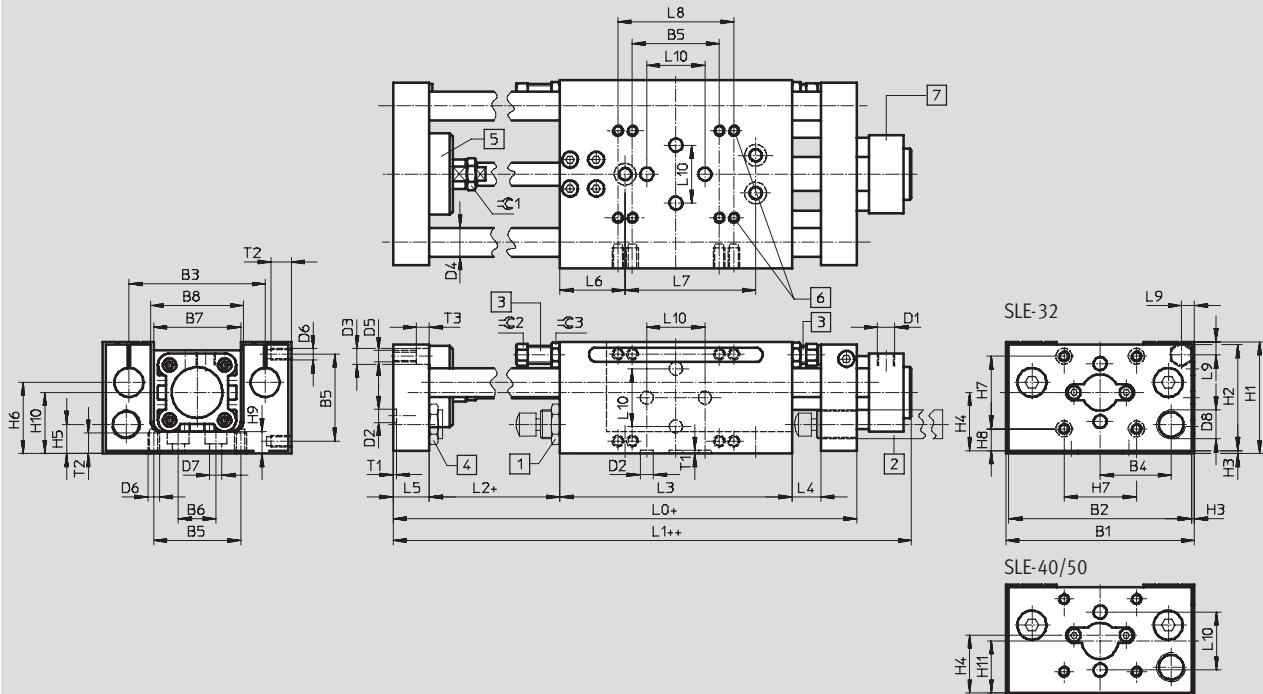
Technical data

FESTO

## Dimensions

Download CAD data → [www.festo.com](http://www.festo.com)

Piston Ø 32 ... 50 mm



- 1 Self-adjusting shock absorber, for front and rear mounting
  - 2 Adjustable shock absorber, can only be mounted to yoke at rear
  - 3 Switching stop with proximity sensor, PNP/NPN, for front and rear mounting
  - 4 Shock absorber stop
  - 5 Compensating coupling for radial and axial alignment
  - 6 Mounting thread
  - 7 Drive DNC
- + = plus stroke length  
++ = plus 2x stroke length

Ø	B1	B2	B3	B4	B5	B6	B7	B8	D1	D2	D3	D4	D5	D6	D7
[mm]			±0.03							Ø H7	Ø	Ø h6			Ø
32	115	111	84	41.5	50	26	52	55	G1/8	9	11	16	M8	M6	8.4
40	130	126	94	49	60	26	60	64	G1/4	9	11	20	M8	M8	8.4
50	154	150	113	58	60	30	72	76	G1/4	9	15	25	M10	M8	8.4

Ø	D8	H1	H2	H3	H4	H5	H6	H7	H8	H9	H10	H11	L0	L1
[mm]							±0.1							
32	M20x1.25	70	66	2	38.5	17	43	40	18.5	14	40.5	38.5	250	172
40	M20x1.25	77	73	2	44	20	49	50	15	14	46	40	260	197.5
50	M24x1.25	90	86	2	51.5	19	52	60	16.5	16	53.5	46.5	305	226

Ø	L2	L3	L4	L5	L6	L7	L8	L9	L10	T1	T2	T3	≈C1	≈C2	≈C3
[mm]									±0.03	+0.2					
32	30	160	20	20	45	90	75	9	40	2.1	10	7.3	17	13	15
40	30	160	20	25	45	90	80	9	40	2.1	14	9	19	13	15
50	38	192	25	25	66	90	80	10	40	2.1	14	11	24	13	15

# Linear units SLE

Ordering data – Modular products



M Mandatory data							O Options			
Module No.	Drive function	Size	Stroke	Guide	Position sensing	Basic unit	Shock absorber at front	Shock absorber at rear	Sensor at front	Sensor at rear
150 088	SLE	10	10 ... 500	KF	A	G	CV	CH	PV	PH
150 090		16					YV	YH	NV	NH
150 091		20								
150 092		25								
150 093		32								
150 094		40								
150 921		50								
<b>Ordering example</b>										
<b>150 090</b>	<b>SLE</b>	<b>- 16</b>	<b>- 190</b>	<b>- KF</b>	<b>- A</b>	<b>- G</b>	<b>- YV</b>	<b>- YH</b>	<b>- PV</b>	<b>- PH</b>

Ordering table												
Size	10	16	20	25	32	40	50	Condi- tions	Code	Enter code		
M Module No.	<b>150 088</b>	<b>150 090</b>	<b>150 091</b>	<b>150 092</b>	<b>150 093</b>	<b>150 094</b>	<b>150 921</b>					
Drive function	Linear unit								<b>SLE</b>		SLE	
Size [mm]	10	16	20	25	32	40	50		-...			
Stroke [mm]	10 ... 100	10 ... 200	10 ... 320	10 ... 500					-...			
Guide	Via ball bearings								<b>-KF</b>		-KF	
Position sensing	For proximity sensing								<b>-A</b>		-A	
Basic unit	Linear unit with pneumatic drive								<b>-G</b>		-G	
O Shock absorber	at front	Self-adjusting shock absorber, with stop at front								<b>-CV</b>		
		Adjustable shock absorber, with stop at front								<b>-YV</b>		
	at rear	Self-adjusting shock absorber, with stop at rear								<b>-CH</b>		
		Adjustable shock absorber, with stop at rear								<b>-YH</b>		
Sensor (bonded)	at front	Inductive sensor with 2.5 m cable, PNP, with stop sleeve at front								<b>-PV</b>		
		Inductive sensor with 2.5 m cable, NPN, with stop sleeve at front								<b>-NV</b>		
	at rear	Inductive sensor with 2.5 m cable, PNP, with stop sleeve at rear								<b>-PH</b>		
		Inductive sensor with 2.5 m cable, NPN, with stop sleeve at rear								<b>-NH</b>		

Transfer order code

	<b>SLE</b>	-		-		-	<b>KF</b>	-	<b>A</b>	-	<b>G</b>	-		-		-		-	
--	------------	---	--	---	--	---	-----------	---	----------	---	----------	---	--	---	--	---	--	---	--

# Linear units SLE

Ordering data – Modular products, package solution

**M** Mandatory data

Module No.	Drive function	Size	Stroke	Guide	Position sensing	Standard unit
150 088	SLE	10	10 ... 500	KF	A	S
150 090		16				
150 091		20				
150 092		25				
150 093		32				
150 094		40				
150 921		50				
<b>Ordering example</b>						
<b>150 093</b>	<b>SLE</b>	<b>- 32</b>	<b>- 450</b>	<b>- KF</b>	<b>- A</b>	<b>- S</b>

**Ordering table**

Size	10	16	20	25	32	40	50	Condi- tions	Code	Enter code
<b>M</b> Module No.	<b>150 088</b>	<b>150 090</b>	<b>150 091</b>	<b>150 092</b>	<b>150 093</b>	<b>150 094</b>	<b>150 921</b>			
Drive function	Linear unit								<b>SLE</b>	SLE
Size [mm]	10	16	20	25	32	40	50		-...	
Stroke [mm]	10 ... 100	10 ... 200	10 ... 320		10 ... 500				-...	
Guide	Via ball bearings								<b>-KF</b>	-KF
Position sensing	For proximity sensing								<b>-A</b>	-A
Standard unit	Package solution S = G-CV-CH-PV-PH								<b>-S</b>	-S

Transfer order code

	<b>SLE</b>	-		-		-	<b>KF</b>	-	<b>A</b>	-	<b>S</b>
--	------------	---	--	---	--	---	-----------	---	----------	---	----------

## Linear units SLE

Accessories

FESTO

### Shock absorber kit

#### SLE-...-YSR-C, self-adjusting

(order code CV, CH)

Material:

YSR-8-8-C: Nickel-plated brass

YSR-12-12-C, YSR-16-20-C,

YSR-20-25-C: Galvanised steel

Free of copper, PTFE and silicone



Ordering data			
For Ø [mm]	including shock absorber → Internet: ysr	Part No.	Type
10	YSR-8-8-C	116 246	SLE-10-YSR-C
16	YSR-8-8-C	116 247	SLE-16-YSR-C
20, 25	YSR-12-12-C	116 248	SLE-20/25-YSR-C
32	YSR-16-20-C	116 249	SLE-32-YSR-C
40	YSR-16-20-C	116 250	SLE-40-YSR-C
50	YSR-20-25-C	118 698	SLE-50-YSR-C

### Shock absorber kit

#### SLZ-...-KF-A, adjustable

(order code YV, YH)

Material:

Galvanised steel



Ordering data			
For Ø [mm]	including shock absorber → Internet: ysr	Part No.	Type
20, 25	YSR-12-12	114 032	SLZ-25-KF-A
32, 40	YSR-16-20	114 033	SLZ-32-KF-A
50	YSR-20-25	114 034	SLZ-50-KF-A



# Linear units SLE

Accessories

## Switching stop SL-...-SIE-PS

(order code PV, PH)

Kit with inductive proximity sensor  
PNP

## Switching stop SL-...-SIE-NS

(order code NV, NH)

Kit with inductive proximity sensor  
NPN



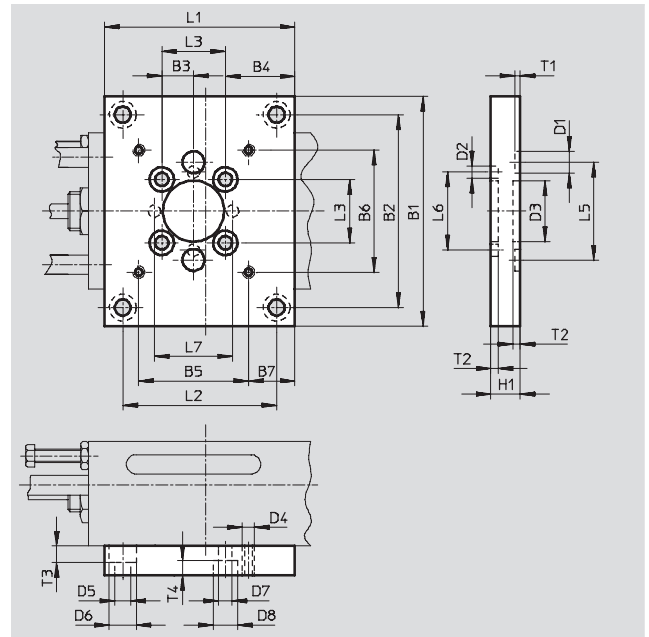
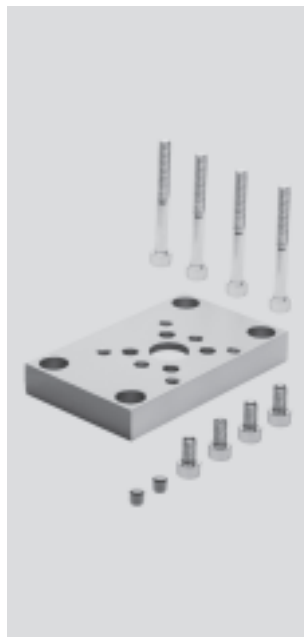
Ordering data				
For Ø [mm]	Switch output	including proximity sensor → Internet: sien	Part No.	Type
10, 16	PNP	SIEN-4B-PS-K-L	<b>116 251</b>	<b>SL-10/16-SIE-PS</b>
	NPN	SIEN-4B-NS-K-L	<b>116 252</b>	<b>SL-10/16-SIE-NS</b>
20, 25	PNP	SIEN-4B-PS-K-L	<b>116 253</b>	<b>SL-20/25-SIE-PS</b>
	NPN	SIEN-4B-NS-K-L	<b>116 254</b>	<b>SL-20/25-SIE-NS</b>
32, 40, 50	PNP	SIEN-6,5B-PS-K-L	<b>117 525</b>	<b>SL-32/50-SIE-PS</b>
	NPN	SIEN-6,5B-NS-K-L	<b>117 526</b>	<b>SL-32/50-SIE-NS</b>

## Adapter plate SLEP

for piston Ø 10, 16 mm

Material:

Wrought aluminium alloy



Dimensions and ordering data																		
For Ø [mm]	B1	B2	B3	B4	B5	B6	B7	D1 Ø H7	D2 Ø H7	D3 Ø G7	D4	D5 Ø	D6 Ø	D7 Ø	D8 Ø	H1	L1	L2
10	82	68	9.5	20	32	32	13.5	9	5	14	M5	5.5	10	5.5	10	12	50	36
16	94	79	13	23.5	45	26	14	9	5	25	M5	6.6	11	5.5	10	12	73	58

For Ø [mm]	L3	L5	L6	L7	T1	T2	T3	T4	Weight [g]	Part No.	Type
10	19	40	28	–	2.1	3	5.7	6.7	122	<b>150 909</b>	<b>SLEP-10</b>
16	26	40	32	32	2.1	3	6.8	6.7	205	<b>150 910</b>	<b>SLEP-16</b>

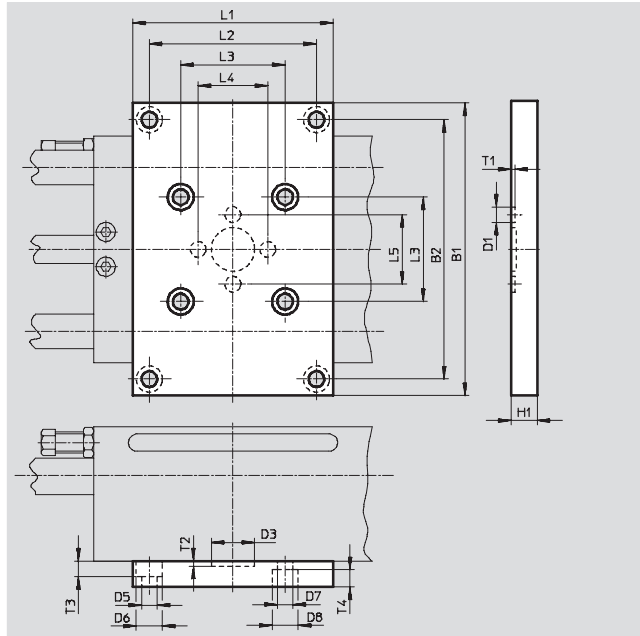
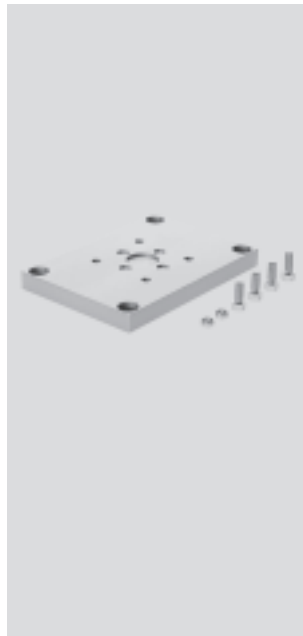
# Linear units SLE

Accessories





## Adapter plate SLEP for piston Ø 20 ... 50 mm

Material:  
Wrought aluminium alloy



Dimensions and ordering data											
For Ø	B1	B2	D1	D3	D5	D6	D7	D8	H1	L1	L2
[mm]			Ø H7	Ø G7	Ø	Ø	Ø	Ø			
20, 25	117	102	9	25	6.6	11	6.6	11	12	83	68
32	153	134	9	25	9	15	6.6	11	15	108	89
40	168	149	9	25	9	15	9	15	15	115	96
50	192	173	9	25	9	15	9	15	15	128	109

For Ø	L3	L4	L5	T1	T2	T3	T4	Weight	Part No.	Type
[mm]								[g]		
20, 25	40	40	40	2.1	3	6.8	7.5	307	<b>150 911</b>	<b>SLEP-25</b>
32	50	40	40	2.1	3	9	8	685	<b>150 912</b>	<b>SLEP-32</b>
40	60	40	40	2.1	3	9	10	734	<b>150 913</b>	<b>SLEP-40</b>
50	60	40	40	2.1	3	9	10	1050	<b>150 923</b>	<b>SLEP-50</b>


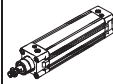
Ordering data – Accessories					
	For Ø [mm]	Material	Part No.	Type	PU <sup>1)</sup>
Centring pin ZBS <span style="float: right;">Technical data → Internet: zbs</span>					
	10 ... 20	Stainless steel Free of copper, PTFE and silicone	<b>150 928</b>	<b>ZBS-5</b>	10
Centring sleeve ZBH <span style="float: right;">Technical data → Internet: zbh</span>					
	25 ... 50	Stainless steel Free of copper, PTFE and silicone	<b>150 927</b>	<b>ZBH-9</b>	10

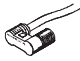
1) Packaging unit quantity


# Linear units SLE


Accessories

**FESTO**

Ordering data – Standard cylinders				Technical data → Internet: standard cylinder			
Designation	For Ø	Part No.	Type	Designation	For Ø	Part No.	Type
Standard cylinder DSNU				Standard cylinder DNC			
	10	14 325	DSNU-10-...-P-A		32	163 304	DNC-32-...-PPV-A
	16	14 320	DSNU-16-...-PPV-A		40	163 336	DNC-40-...-PPV-A
	20	14 321	DSNU-20-...-PPV-A		50	163 368	DNC-50-...-PPV-A
	25	14 322	DSNU-25-...-PPV-A				

Ordering data – Proximity sensors, round design, magneto-resistive						Technical data → Internet: smto		
	Mounting	Switch output	Electrical connection		Cable length [m]	Connection direction	Part No.	Type
			Cable	Plug M8				
Normally open contact								
	Via accessories	PNP	3-wire	–	2.5	In-line	152 836	SMTO-4U-PS-K-LED-24
			–	3-pin	–	In-line	152 742	SMTO-4U-PS-S-LED-24
		NPN	3-wire	–	2.5	In-line	152 837	SMTO-4U-NS-K-LED-24
			–	3-pin	–	In-line	152 743	SMTO-4U-NS-S-LED-24

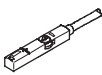
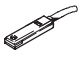
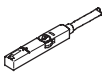
Ordering data – Proximity sensors, round design, magnetic reed						Technical data → Internet: smeo		
	Mounting	Electrical connection		Cable length [m]	Connection direction	Part No.	Type	
		Cable	Plug M8					
Normally open contact								
	Via accessories	3-wire	–	2.5	In-line	36 198	SMEO-4U-K-LED-24	
			5	In-line	175 401	SMEO-4U-K5-LED-24		
		–	3-pin	–	In-line	151 526	SMEO-4U-S-LED-24-B	

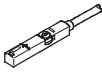
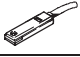
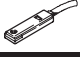
Ordering data – Mounting kits for proximity sensors SMEO/SMTO-4U				Technical data → Internet: smbr	
	For Ø	Part No.	Type		
	10	19 273	SMBR-10		
	16	19 275	SMBR-16		
	20	19 276	SMBR-20		
	25	19 277	SMBR-25		


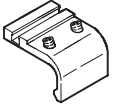
# Linear units SLE

Accessories

FESTO

Ordering data – Proximity sensors for T-slot, magneto-resistive						Technical data → Internet: smt
	Type of mounting	Switch output	Electrical connection	Cable length [m]	Part No.	Type
<b>N/O contact</b>						
	Insertable in the slot from above, flush with cylinder profile	PNP	Cable, 3-wire	2.5	<b>543 867</b>	<b>SMT-8M-PS-24V-K-2,5-OE</b>
			Plug M8x1, 3-pin	0.3	<b>543 866</b>	<b>SMT-8M-PS-24V-K-0,3-M8D</b>
			Plug M12x1, 3-pin	0.3	<b>543 869</b>	<b>SMT-8M-PS-24V-K-0,3-M12</b>
		NPN	Cable, 3-wire	2.5	<b>543 870</b>	<b>SMT-8M-NS-24V-K-2,5-OE</b>
			Plug M8x1, 3-pin	0.3	<b>543 871</b>	<b>SMT-8M-NS-24V-K-0,3-M8D</b>
			Plug M12x1, 3-pin	0.3	<b>543 874</b>	<b>SMT-8M-NS-24V-K-0,3-M12</b>
	Insertable in the slot lengthwise, flush with the cylinder profile	PNP	Cable, 3-wire	2.5	<b>175 436</b>	<b>SMT-8-PS-K-LED-24-B</b>
			Plug M8x1, 3-pin	0.3	<b>175 484</b>	<b>SMT-8-PS-S-LED-24-B</b>
<b>N/C contact</b>						
	Insertable in the slot from above, flush with cylinder profile	PNP	Cable, 3-wire	7.5	<b>543 873</b>	<b>SMT-8M-PO-24V-K7,5-OE</b>

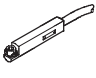
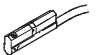
Ordering data – Proximity sensors for T-slot, magnetic reed						Technical data → Internet: sme	
	Type of mounting	Switch output	Electrical connection	Cable length [m]	Part No.	Type	
<b>N/O contact</b>							
	Insertable in the slot from above, flush with cylinder profile	Contacting	Cable, 3-wire	2.5	<b>543 862</b>	<b>SME-8M-DS-24V-K-2,5-OE</b>	
				5.0	<b>543 863</b>	<b>SME-8M-DS-24V-K-5,0-OE</b>	
			Plug M8x1, 3-pin	Cable, 3-wire	2.5	<b>543 872</b>	<b>SME-8M-ZS-24V-K-2,5-OE</b>
				0.3	<b>543 861</b>	<b>SME-8M-DS-24V-K-0,3-M8D</b>	
	Insertable in the slot lengthwise, flush with the cylinder profile	Contacting	Cable, 3-wire	2.5	<b>150 855</b>	<b>SME-8-K-LED-24</b>	
			Plug M8x1, 3-pin	0.3	<b>150 857</b>	<b>SME-8-S-LED-24</b>	
<b>N/C contact</b>							
	Insertable in the slot lengthwise, flush with the cylinder profile	Contacting	Cable, 3-wire	7.5	<b>160 251</b>	<b>SME-8-O-K-LED-24</b>	

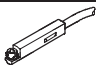
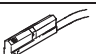
Ordering data – Mounting kits for proximity sensors SME/SMT-8						Technical data → Internet: smb	
	For Ø	Part No.	Type		For Ø	Part No.	Type
	20	<b>175 095</b>	<b>SMBR-8-20</b>		32	<b>175 705</b>	<b>SMB-8-FENG-32/40</b>
	25	<b>175 096</b>	<b>SMBR-8-25</b>		40	<b>175 706</b>	<b>SMB-8-FENG-50/63</b>
					50		

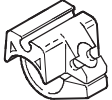
# Linear units SLE


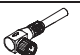
Accessories

**FESTO**

Ordering data – Proximity sensors for C-slot, magneto-resistive						Technical data → Internet: smt
	Type of mounting	Switch output	Electrical connection, connection direction	Cable length [m]	Part No.	Type
N/O contact						
	Insertable in the slot from above, flush with cylinder profile	PNP	Cable, 3-wire, in-line	2.5	525 915	SMT-10F-PS-24V-K2,5L-OE
			Plug M8x1, 3-pin, in-line	0.3	525 916	SMT-10F-PS-24V-K0,3L-M8D
			Plug M8x1, 3-pin, lateral	0.3	526 675	SMT-10F-PS-24V-K0,3Q-M8D
	Insertable in the slot lengthwise	PNP	Plug M8x1, 3-pin, in-line	0.3	173 220	SMT-10-PS-SL-LED-24
			Cable, 3-wire, in-line	2.5	173 218	SMT-10-PS-KL-LED-24

Ordering data – Proximity sensors for C-slot, magnetic reed						Technical data → Internet: sme
	Type of mounting	Switch output	Electrical connection, connection direction	Cable length [m]	Part No.	Type
N/O contact						
	Insertable in the slot from above, flush with cylinder profile	Contacting	Plug M8x1, 3-pin, in-line	0.3	525 914	SME-10F-DS-24V-K0,3L-M8D
			Cable, 3-wire, in-line	2.5	525 913	SME-10F-DS-24V-K2,5L-OE
			Cable, 2-wire, in-line	2.5	526 672	SME-10F-ZS-24V-K2,5L-OE
	Insertable in the slot lengthwise	Contacting	Plug M8x1, 3-pin, in-line	0.3	173 212	SME-10-SL-LED-24
			Cable, 3-wire, in-line	2.5	173 210	SME-10-KL-LED-24


Ordering data – Mounting kits for proximity sensors SME/SMT-10				Technical data → Internet: smbr
	For Ø	Part No.	Type	
	20	175 103	SMBR-10-20	
	25	175 104	SMBR-10-25	

Ordering data – Connecting cables					Technical data → Internet: nebu
	Electrical connection, left	Electrical connection, right	Cable length [m]	Part No.	Type
	Straight socket, M8x1, 3-pin	Cable, open end, 3-wire	2.5	541 333	NEBU-M8G3-K-2.5-LE3
			5	541 334	NEBU-M8G3-K-5-LE3
	Straight socket, M12x1, 5-pin	Cable, open end, 3-wire	2.5	541 363	NEBU-M12G5-K-2.5-LE3
			5	541 364	NEBU-M12G5-K-5-LE3
	Angled socket, M8x1, 3-pin	Cable, open end, 3-wire	2.5	541 338	NEBU-M8W3-K-2.5-LE3
			5	541 341	NEBU-M8W3-K-5-LE3
	Angled socket, M12x1, 5-pin	Cable, open end, 3-wire	2.5	541 367	NEBU-M12W5-K-2.5-LE3
			5	541 370	NEBU-M12W5-K-5-LE3

# Linear units SLE

Accessories

**FESTO**

Ordering data – One-way flow control valves			Technical data → Internet: grla		
	Connection		Material	Part No.	Type
	Thread	For tubing OD			
	M5	3	Metal design	193 137	GRLA-M5-QS-3-D
		4		193 138	GRLA-M5-QS-4-D
		6		193 139	GRLA-M5-QS-6-D
	G $\frac{1}{8}$	3		193 142	GRLA- $\frac{1}{8}$ -QS-3-D
		4		193 143	GRLA- $\frac{1}{8}$ -QS-4-D
		6		193 144	GRLA- $\frac{1}{8}$ -QS-6-D
		8		193 145	GRLA- $\frac{1}{8}$ -QS-8-D
	G $\frac{1}{4}$	6		193 146	GRLA- $\frac{1}{4}$ -QS-6-D
		8		193 147	GRLA- $\frac{1}{4}$ -QS-8-D
		10		193 148	GRLA- $\frac{1}{4}$ -QS-10-D