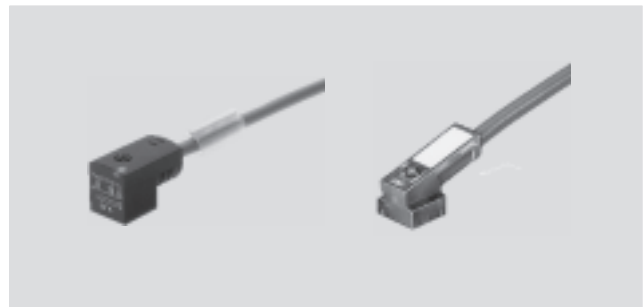


Connecting cables NEBV, for valves

Technical data

Connecting cable KMEB

- For valves with EB solenoid coil
- Pre-assembled
- Cable lengths 2.5 m, 5 m and 10 m
- 24 V DC:
with LEDs and protective circuit
- Not suitable for energy chains
- KMEB-1 with PVC cable
- KMEB-2 with PUR cable
- KMEB-3 with PVC cable



General technical data				
Type	KMEB-1	KMEB-2	KMEB-2-24-M12	KMEB-3
Electrical connection	Angled socket	Angled socket	Angled socket	Angled socket
	3-pin	4-pin	5-pin	2-pin
	Type C	Type C	Type C	Type C
	To EN 175301-803	To EN 175301-803	To EN 175301-803	To EN 175301-803
Reverse polarity protection	–	–	–	For all electrical connections
Cable Ø [mm]	5.2	6.2	4.6	5.2
Cable composition	3 x 0.5 mm ²	3 x 0.75 mm ²	3 x 0.5 mm ²	2 x 0.75 mm ²
Protective earth connection	Yes	Yes	Yes	No
Type of mounting	M2.5 central screw	M2.5 central screw	M2.5 central screw	M2.5 central screw
Mounting position	Any	Any	Any	Any
Cable properties	–	–	–	Standard
Protection class to EN 60529	IP65 (assembled)	IP65 (assembled)	IP65 (assembled)	IP65 (assembled)

Materials				
Type	KMEB-1	KMEB-2	KMEB-2-24-M12	KMEB-3
Housing	PA	PA, POM	PA, POM	PC
Pin contact	Bronze	Bronze	Bronze	Silver-plated bronze
Cable sheath	PVC	PUR	TPE-U (PU)	PVC

Operating and environmental conditions					
Type	KMEB-1-24	KMEB-1-230	KMEB-2	KMEB-2-24-M12	KMEB-3
Ambient temperature [°C]	–20 ... +80	–20 ... +80	–20 ... +80	–5 ... +50	–20 ... +80
CE mark (see declaration of conformity)	–	To EU Low Voltage Directive	–	–	To EU Low Voltage Directive

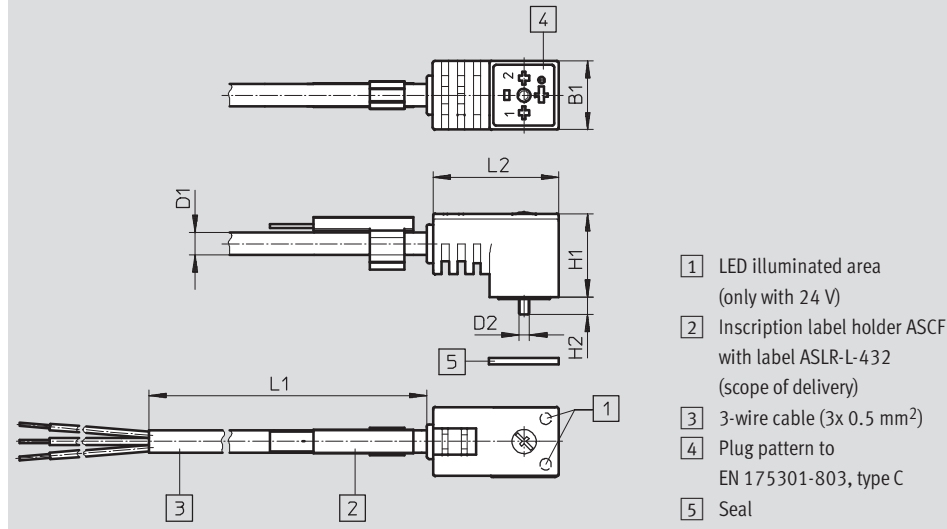
Connecting cables NEBV, for valves

Technical data

Dimensions

Download CAD data → www.festo.com

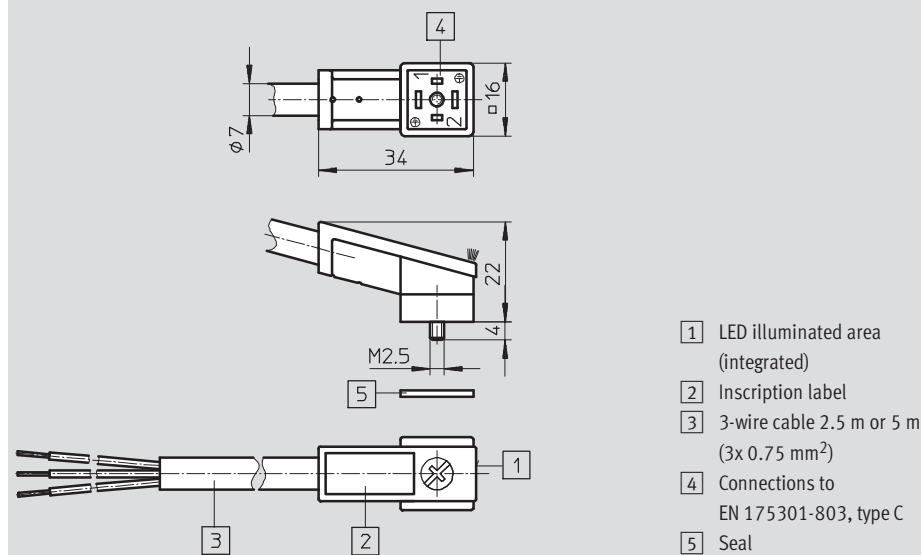
KMEB-1



- 1 LED illuminated area (only with 24 V)
- 2 Inscription label holder ASCF with label ASLR-L-432 (scope of delivery)
- 3 3-wire cable (3x 0.5 mm²)
- 4 Plug pattern to EN 175301-803, type C
- 5 Seal

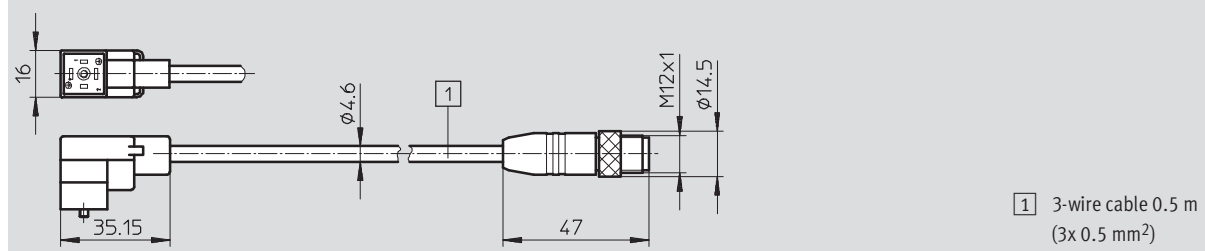
Type	D1	D2	L1	L2	H1	H2	B1
KMEB-1-...-2,5	5.2	2.5	2,500	29.1	19.3	4	16
KMEB-1-...-5	5.2	2.5	5,000	29.1	19.3	4	16
KMEB-1-...-10	5.2	2.5	10,000	29.1	19.3	4	16

KMEB-2



- 1 LED illuminated area (integrated)
- 2 Inscription label
- 3 3-wire cable 2.5 m or 5 m (3x 0.75 mm²)
- 4 Connections to EN 175301-803, type C
- 5 Seal

KMEB-2-24-M12



- 1 3-wire cable 0.5 m (3x 0.5 mm²)

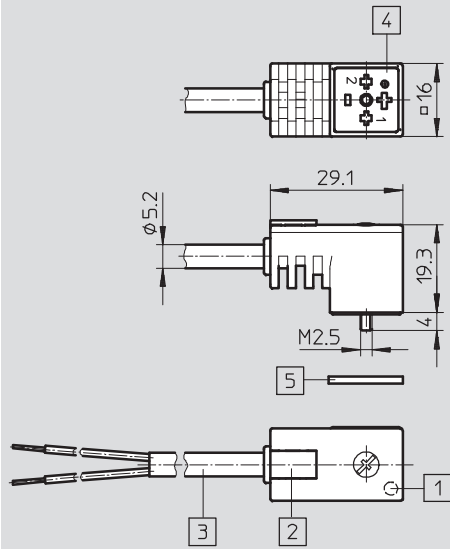
Connecting cables NEBV, for valves

Technical data

Dimensions

Download CAD data → www.festo.com

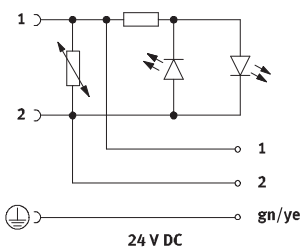
KMEB-3



- 1 LED illuminated area
- 2 Location for inscription label
- 3 2-wire cable
- 4 Connections to EN 175301-803, type C
- 5 Seal

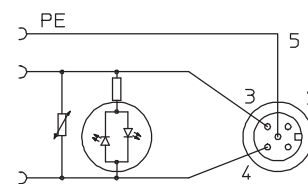
Circuitry

KMEB-1/KMEB-3 with integrated signal status display

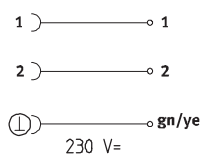


The 24 V DC version is reverse polarity protected and has a protective circuit for peak voltages of up to 100 V DC as well as an operating status indicator with yellow LED. (No gn/ye connection with KMEB-3.)

KMEB-2-24-M12

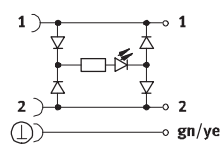


KMEB-1/KMEB-3 without integrated signal status display



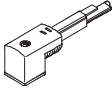
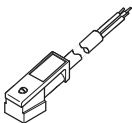
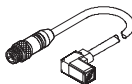
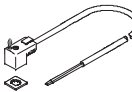
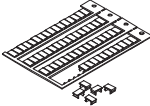
For KMEB-3
 – No gn/ye connection
 – Operating voltage 24 V DC

KMEB-2



Connecting cables NEBV, for valves

Technical data

Ordering data							
	Signal status display	Cable sheath material	Operating voltage [V]	Cable length [m]	Weight [g]	Part No.	Type
KMEB-1							
	LED	PVC	24 DC	2.5	125	151688	KMEB-1-24-2,5-LED
				5	230	151689	KMEB-1-24-5-LED
				10	460	193457	KMEB-1-24-10-LED
	-	PVC	230 AC	2.5	125	151690	KMEB-1-230AC-2,5
				5	230	151691	KMEB-1-230-5
KMEB-2							
	LED	PUR	24 DC	2.5	200	174844	KMEB-2-24-2,5-LED
				5	400	174845	KMEB-2-24-5-LED
	-	PUR	230 AC	2.5	200	174846	KMEB-2-230AC-2,5
				5	400	174847	KMEB-2-230-5
KMEB-2-24-M12							
	LED	TPE-U (PU)	24 DC	0.5	54	177677	KMEB-2-24-M12-0,5-LED
KMEB-3							
	LED	PVC	24 DC	2.5	120	547268	KMEB-3-24-2,5-LED
				5	230	547269	KMEB-3-24-5-LED
	-	PVC	24 DC	2.5	120	547270	KMEB-3-24-2,5
				5	230	547271	KMEB-3-24-5
Ordering data – Accessories							
	Description		Use	Part No.	Type		
	Inscription labels 6x10 mm, 64 pieces, in frames		KMEB-3	18576	IBS-6x10		
	Inscription labels 9x20 mm, 20 pieces, in frames		KMEB-2	18182	IBS-9x20		