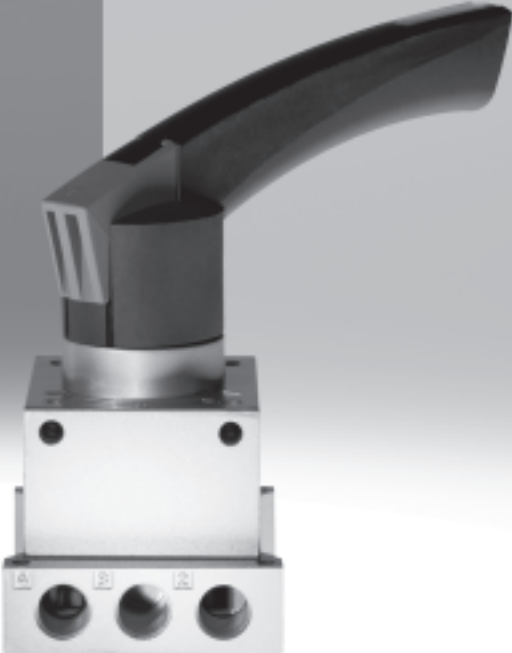


Hand lever valves VHER




Hand lever valves VHER/HS

Key features

FESTO



Powerful

-  - Flow rate
130 ... 4,300 l/min

Versatile

- 4/3-way valve
mid-position closed
mid-position exhausted
- Connections: M5, G $\frac{1}{8}$, G $\frac{1}{4}$, G $\frac{1}{2}$
- 3/3-way valve
The hand lever valves VHER and HS can be used as 3/3-way valves by sealing port 2

Practical

With these valves it is possible to stop single-acting cylinders (3/3-way valve) or double-acting cylinders (4/3-way valve) within the stroke range.

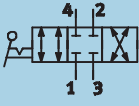
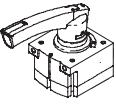
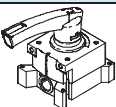
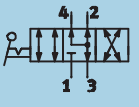
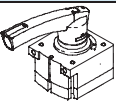
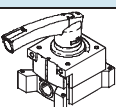
In mid-position closed, the drive piston moves until the forces are balanced.

In mid-position exhausted the piston can be moved manually; only the frictional forces have to be overcome.

Hand lever valves VHER

Product range overview

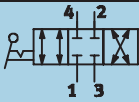
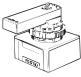
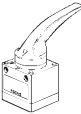
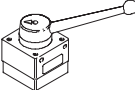
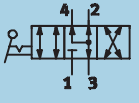
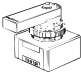
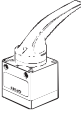
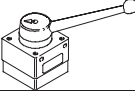
FESTO

Function	Version	Type	Nominal flow rate [l/min]	Lever				Connection				→ Page/ Internet
				Plastic		Metal		M5	G1/8	G1/4	G1/2	
				small	large	small	large					
	Ports underneath 	VHER-AH-M04C-G18-UD	800	-	-	■	-	-	■	-	-	8
		VHER-AH-M04C-G14-UD	1,500	-	-	-	■	-	-	■	-	
		VHER-AH-M04C-G12-UD	4,300	-	-	-	■	-	-	-	■	
		VHER-BH-M04C-M05-UD	260	■	-	-	-	■	-	-	-	15
		VHER-BH-M04C-G18-UD	800	■	-	-	-	■	-	-	-	
		VHER-BH-M04C-G14-UD	1,500	-	■	-	-	-	-	■	-	
		VHER-BH-M04C-G12-UD	4,300	-	■	-	-	-	-	-	■	
	Ports at side 	VHER-AH-M04C-G18-LD	600	-	-	■	-	-	■	-	-	8
		VHER-AH-M04C-G14-LD	1,150	-	-	-	■	-	-	■	-	
		VHER-AH-M04C-G12-LD	3,500	-	-	-	■	-	-	-	■	
		VHER-BH-M04C-M05-LD	170	■	-	-	-	■	-	-	-	15
		VHER-BH-M04C-G18-LD	600	■	-	-	-	■	-	-	-	
		VHER-BH-M04C-G14-LD	1,150	-	■	-	-	-	-	■	-	
		VHER-BH-M04C-G12-LD	3,500	-	■	-	-	-	-	-	■	
	Ports underneath 	VHER-AH-M04E-G18-UD	800	-	-	■	-	-	■	-	-	8
		VHER-AH-M04E-G14-UD	1,500	-	-	-	■	-	-	■	-	
		VHER-AH-M04E-G12-UD	4,300	-	-	-	■	-	-	-	■	
		VHER-BH-M04E-M05-UD	260	■	-	-	-	■	-	-	-	15
		VHER-BH-M04E-G18-UD	800	■	-	-	-	■	-	-	-	
		VHER-BH-M04E-G14-UD	1,500	-	■	-	-	-	-	■	-	
		VHER-BH-M04E-G12-UD	4,300	-	■	-	-	-	-	-	■	
	Ports at side 	VHER-AH-M04E-G18-LD	600	-	-	■	-	-	■	-	-	8
		VHER-AH-M04E-G14-LD	1,150	-	-	-	■	-	-	■	-	
		VHER-AH-M04E-G12-LD	3,500	-	-	-	■	-	-	-	■	
		VHER-BH-M04E-M05-LD	170	■	-	-	-	■	-	-	-	15
		VHER-BH-M04E-G18-LD	600	■	-	-	-	■	-	-	-	
		VHER-BH-M04E-G14-LD	1,150	-	■	-	-	-	-	■	-	
		VHER-BH-M04E-G12-LD	3,500	-	■	-	-	-	-	-	■	

Hand lever valves HS/HSO

Product range overview

FESTO

Function	Version	Type	Nominal flow rate [l/min]	Lever			Connection				→ Page/ Internet
				Plastic		Metal	M5	G1/8	G1/4	G1/2	
				small	large	large					
	Ports underneath										
		HS-4/3-M5	130	■	-	-	■	-	-	-	15
		HS-4/3-1/8-B	700	■	-	-	-	■	-		
		HS-4/3-1/4	1,200	-	■	-	-	-	■		
	HS-4/3-1/2-B	3,500	-	-	■	-	-	-	■		
	Ports underneath										
		HSO-4/3-M5	130	■	-	-	■	-	-	15	
		HSO-4/3-1/8-B	700	■	-	-	-	■	-		
		HSO-4/3-1/4	1,200	-	■	-	-	-	■		
	HSO-4/3-1/2-B	3,500	-	-	■	-	-	-	■		

Hand lever valves VHER

Type codes

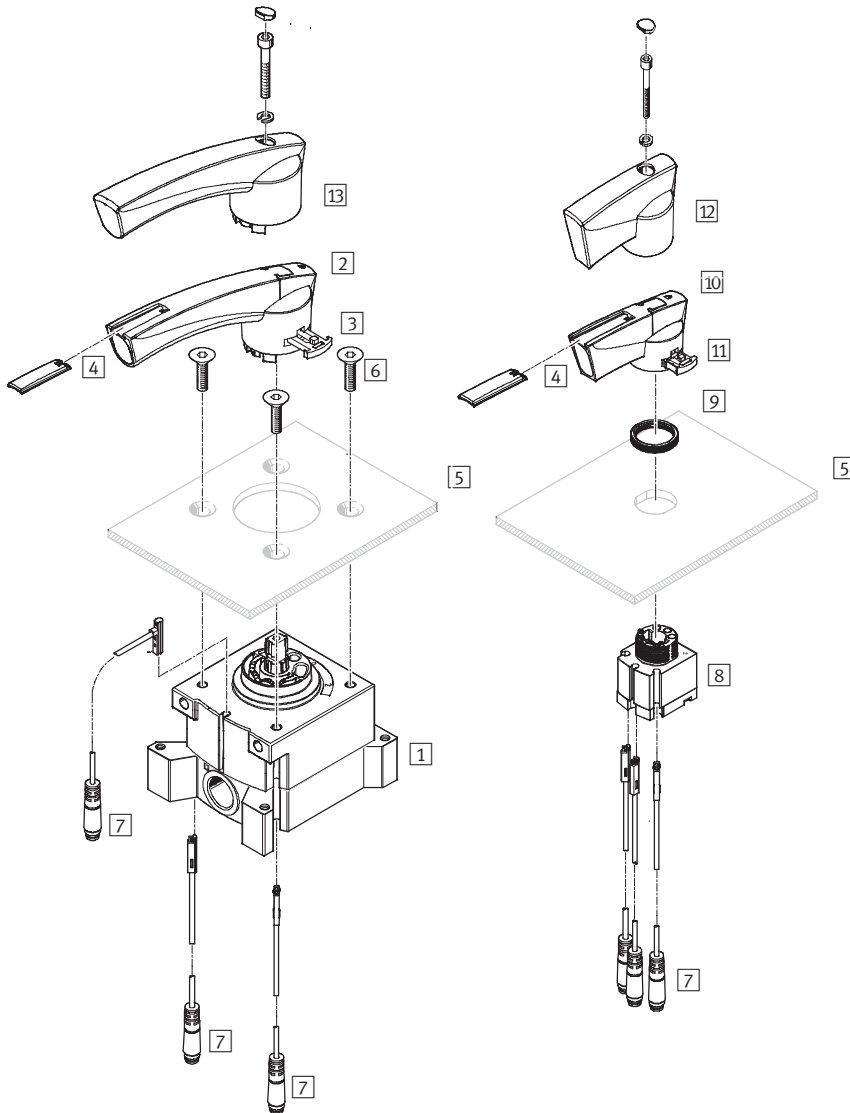
VHER		-	BH		-	M04C		-	M05		-	LD	
Type													
VHER		Hand lever valve with detent											
Construction													
AH		Lever in metal version											
BH		Lever in polymer version											
Valve function													
M04C		4/3-way valve, mid-position closed											
M04E		4/3-way valve, mid-position exhausted											
Connection													
M05		M5 (polymer version only)											
G18		G $\frac{1}{8}$											
G14		G $\frac{1}{4}$											
G12		G $\frac{1}{2}$											
Connection type													
LD		To the side											
UD		Underneath											

Hand lever valves VHER

Peripherals overview

FESTO

Control panel installation



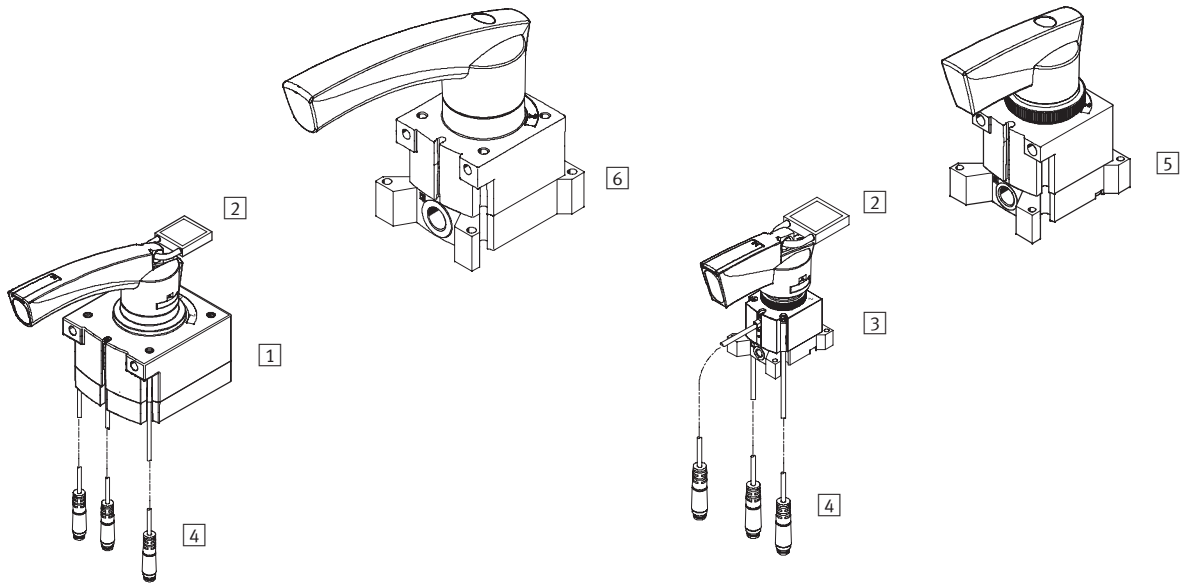
Component parts and accessories	Brief description	→ Page/Internet
1 Hand lever valves VHER	Connection size G $\frac{1}{8}$ and G $\frac{1}{2}$	8
2 Actuating lever	Large, polymer	-
3 Lever securing clip	Large	-
4 Inscription label		-
5 Control panel	Not included in scope of delivery	-
6 Mounting screws	Not included in scope of delivery	-
7 Proximity sensor SME-10-L, SME-10-Q	Not included in scope of delivery	sme
8 Hand lever valves VHER	Connection size M5 and G $\frac{1}{8}$	8
9 Knurled nut	Control panel mounting	-
10 Actuating lever	Small, polymer	-
11 Lever securing clip	Small	-
12 Actuating lever	Small, metal	-
13 Actuating lever	Large, metal	-

Hand lever valves VHER

Peripherals overview

FESTO

Assembled valves with accessories






Component parts and accessories	Brief description	→ Page/Internet
1 Hand lever valves VHER	Connection size G $\frac{1}{4}$ and G $\frac{1}{2}$ with polymer lever	15
2 Padlock	Not included in scope of delivery	-
3 Hand lever valves VHER	Connection size M5 and G $\frac{1}{8}$ with polymer lever	15
4 Proximity sensor SME-10F-... L-... , SME-10F-... Q-...	Not included in scope of delivery	sme
5 Hand lever valves VHER	Connection size G $\frac{1}{8}$ with metal lever	8
6 Hand lever valves VHER	Connection size G $\frac{1}{4}$ and G $\frac{1}{2}$ with metal lever	8

Hand lever valves VHER-AH

Technical data VHER with metal lever

FESTO

-  Flow rate
600 ... 4,300 l/min
-  Pressure
-0.95 ... +10 bar
-  Temperature range
-20 ... +80 °C



General technical data					
Pneumatic connection		G $\frac{1}{8}$	G $\frac{1}{4}$	G $\frac{1}{2}$	
Valve function		4/3-way, closed or exhausted			
Design		Rotary slide valve			
Sealing principle		Hard			
Type of mounting		Option of front panel mounting or through-holes			
Pilot control mode		Direct			
Actuation type		Manual			
Actuating lever		Metal			
Switching position display		Via accessories			
Assembly position		Any			
Direction of flow		Reversible			
Non-overlapping		Yes			
Exhaust function		Flow control			
Standard nominal flow rate	Ports at side	[l/min]	600	1,150	3,500
	Ports underneath	[l/min]	800	1,500	4,300
Nominal size		[mm]	6	8	12
Pneumatic connection 1,2,3,4			G $\frac{1}{8}$	G $\frac{1}{4}$	G $\frac{1}{2}$
Actuating torque at 10 bar		[Nm]	1.1	2.8	5

Operating and environmental conditions		
Operating medium		Filtered compressed air, lubricated or unlubricated, grade of filtration 40µm
Operating pressure	[bar]	-0.95 ... 10
Ambient temperature	[°C]	-20 ... +80
Corrosion resistance class	[CRC]	2 ¹⁾

1) Corrosion resistance class 2 according to Festo standard 940 070
Components requiring moderate corrosion resistance. Externally visible parts with primarily decorative surface requirements which are in direct contact with a normal industrial environment or media such as coolants or lubricating agents.

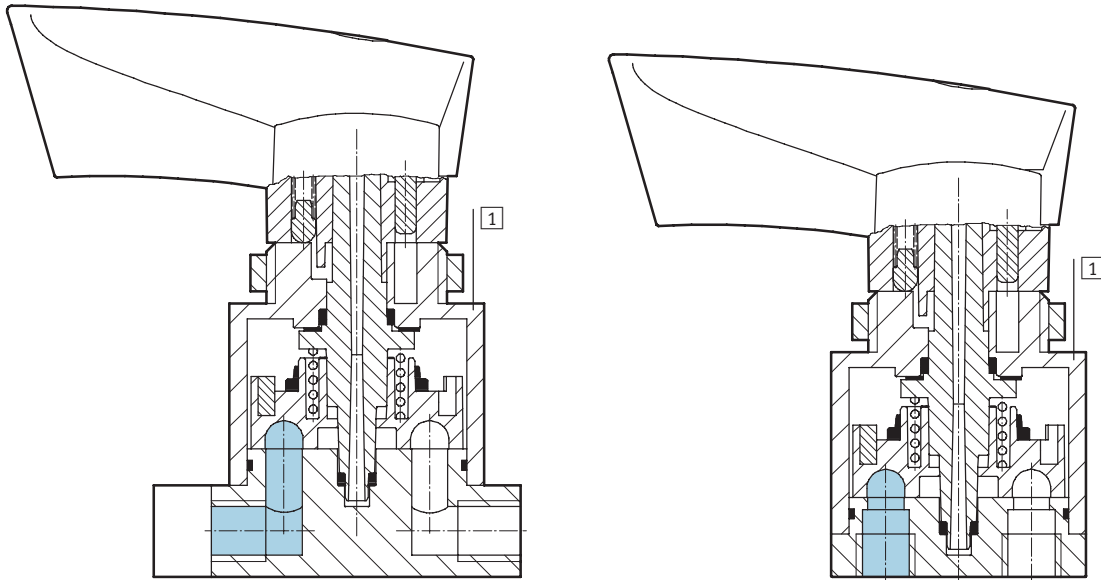
Proximity sensors for switching position display			
Pneumatic connection	Connection direction	Type	
		SME-10F-... L-...	SME-10F-... Q-...
G $\frac{1}{8}$	Underneath (UD)	■	■
	Side (LD)	-	■
G $\frac{1}{4}$	Underneath	■	■
	Side	-	■
G $\frac{1}{2}$	Underneath	■	■
	Side	-	■

Hand lever valves VHER-AH

Technical data VHER with metal lever

Sectional view

Hand lever valves VHER-AH-...



Materials

1	Housing	Die-cast aluminium
-	Seals	Nitrile rubber
-		Contains PWIS (paint wetting impairment substances)
-		Free of copper and PTFE

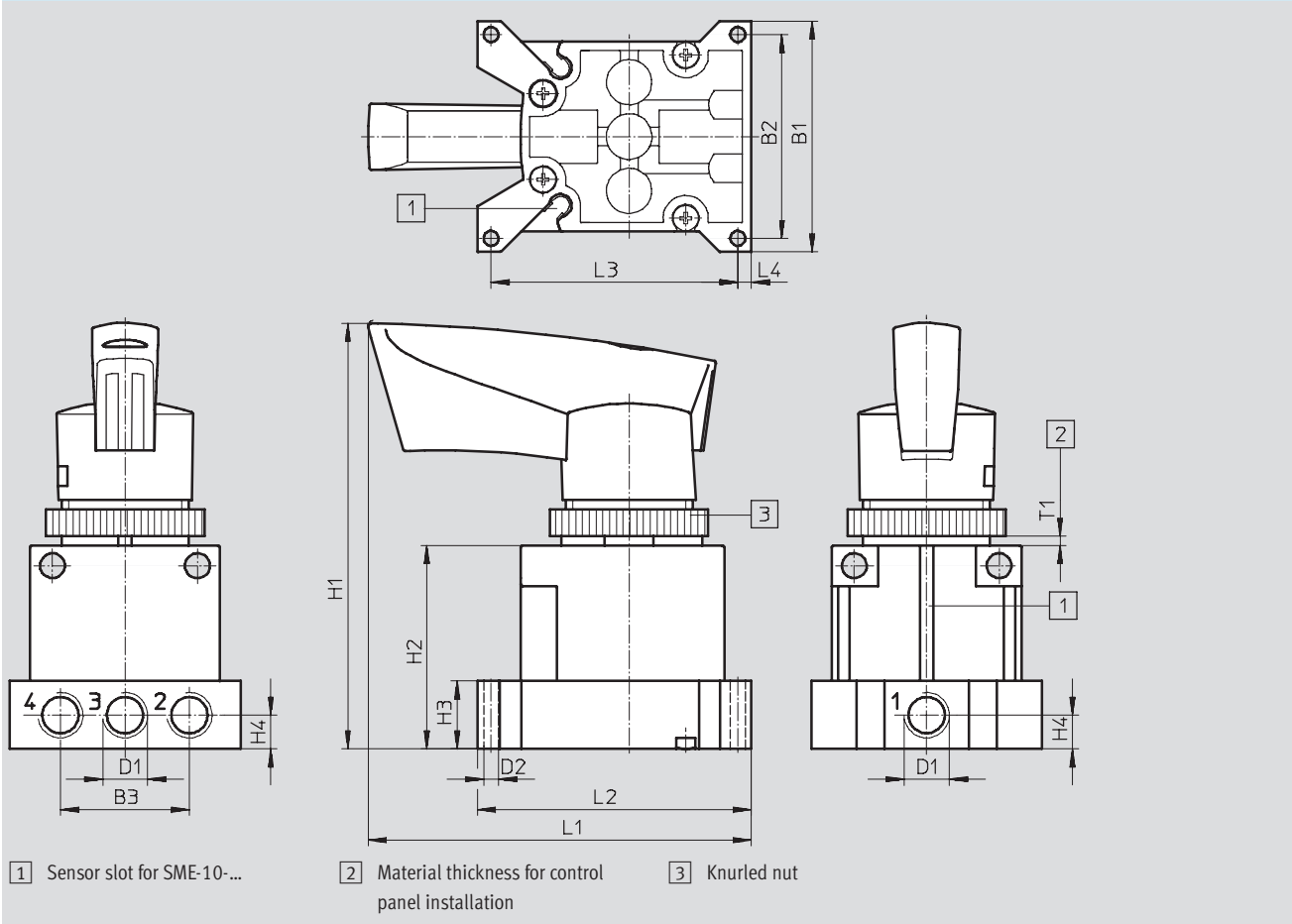
Hand lever valves VHER-AH

Technical data VHER with metal lever

Dimensions

Download CAD data → www.festo.com

Ports G¹/₈, side



Type	B1	B2	B3	D1	D2 ∅	H1	H2	H3	H4	L1	L2	L3	L4	T1
VHER-AH-...-G18-LD	51	45	28.5	G ¹ / ₈	3	94	45	15	7.5	85	60.5	54.5	3	2 ... 4

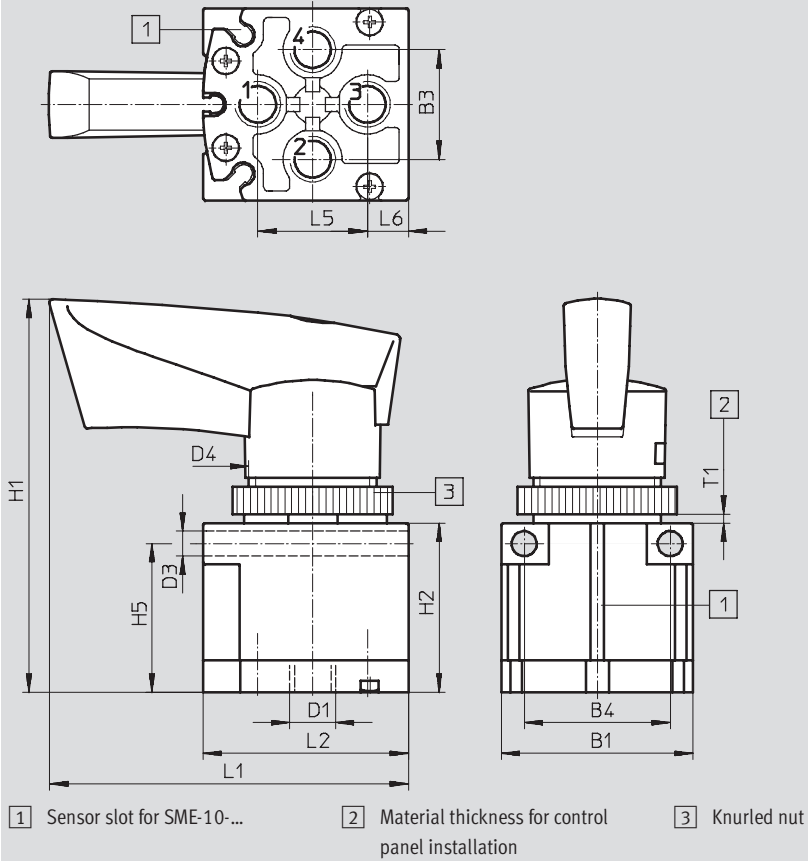
Hand lever valves VHER-AH

Technical data VHER with metal lever

Dimensions

Download CAD data → www.festo.com

Ports G¹/₈, underneath



Type	B1	B3	B4	D1	D3 ∅	D4	H1	H2	H5	L1	L2	L5	L6	T1
VHER-AH...-G18-UD	42	24	32	G ¹ / ₈	5.5	M30	87	37	32.5	79	45	24	9	2 ... 4

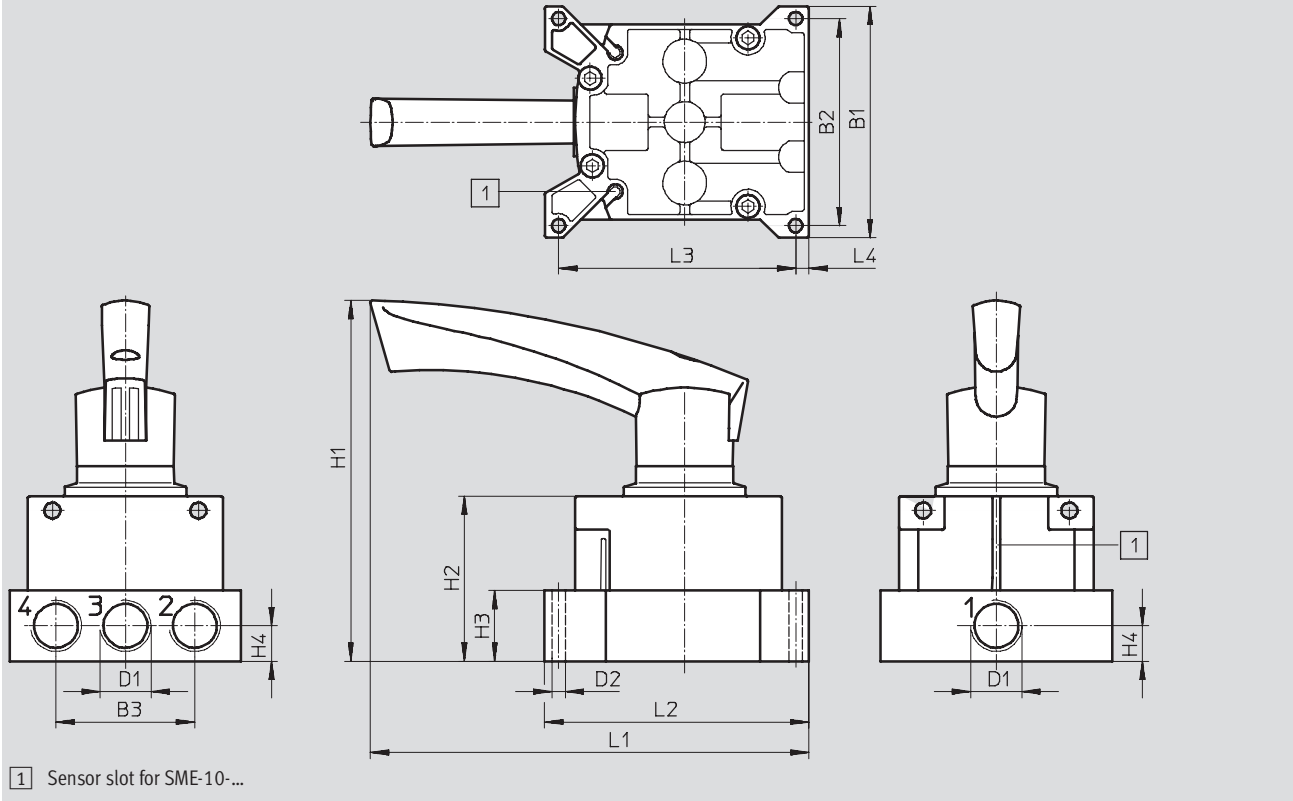
Hand lever valves VHER-AH

Technical data VHER with metal lever

Dimensions

Download CAD data → www.festo.com

Ports G $\frac{1}{4}$ and G $\frac{1}{2}$, side



Type	B1	B2	B3	D1	D2 ∅	H1	H2	H3	H4	L1	L2	L3	L4
VHER-AH-...-G14-LD	66	57.5	37.5	G $\frac{1}{4}$	4.5	136	56	20.5	10.3	165	77	69.2	4
VHER-AH-...-G12-LD	95	85	57	G $\frac{1}{2}$	5.5	149	68	29	14.5	180	108.5	97.3	5.5

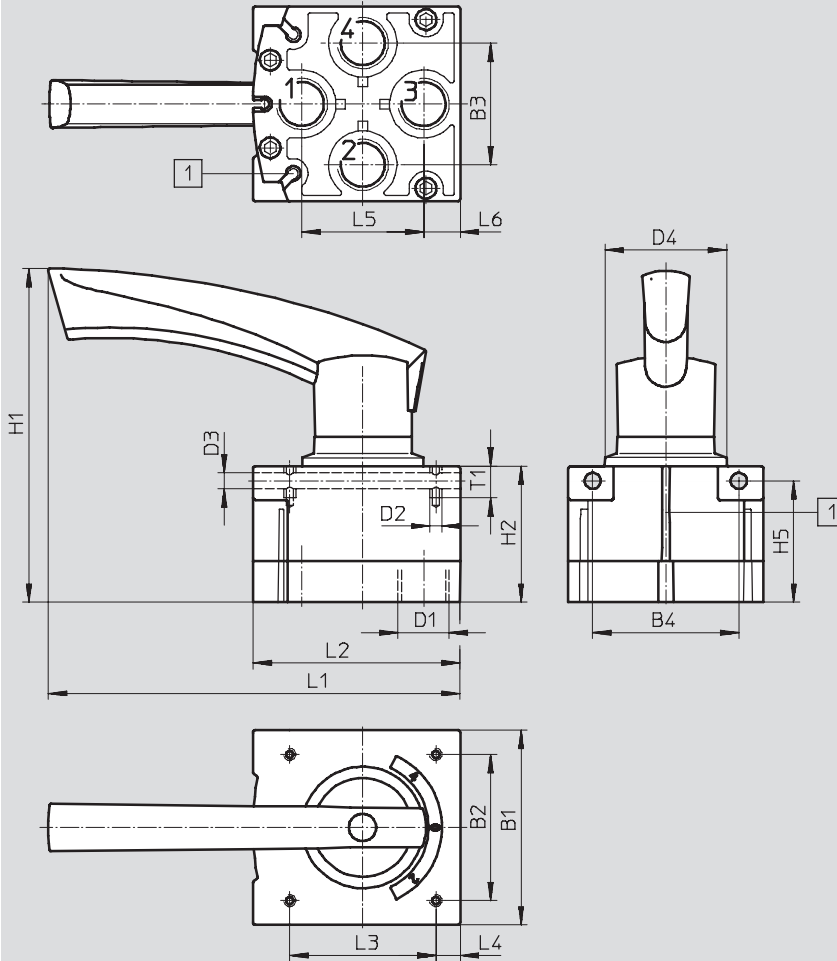
Hand lever valves VHER-AH

Technical data VHER with metal lever

Dimensions

Download CAD data → www.festo.com

Ports G $\frac{1}{4}$ and G $\frac{1}{2}$, underneath



1 Sensor slot for SME-10-...

Type	B1	B2	B3	B4	D1	D2	D3 Ø	D4 Ø	H1	H2	H5	L1	L2	L3	L4	L5	L6	T1
VHER-AH-...-G14-UD	56	42	33	42	G $\frac{1}{4}$	M5	5.5	40	130	49	43.5	157	60	42	7.2	33	11.4	12
VHER-AH-...-G12-UD	80	60	50	60	G $\frac{1}{2}$	M6	6.4	50	137	55.8	49.8	169	85	60	10	50	15	13

Hand lever valves VHER-AH




Technical data VHER with metal lever

Ordering data						
Circuit symbol	Description	Weight [g]	Connection direction	Pneumatic connection	Part No.	Type
4/3-way valve ¹⁾						
	Mid-position closed	260	Side	G $\frac{1}{8}$	538 178	VHER-AH-M04C-G18-LD
		560		G $\frac{1}{4}$	538 180	VHER-AH-M04C-G14-LD
		1,010		G $\frac{1}{2}$	538 182	VHER-AH-M04C-G12-LD
		220	Underneath	G $\frac{1}{8}$	538 179	VHER-AH-M04C-G18-UD
		510		G $\frac{1}{4}$	538 181	VHER-AH-M04C-G14-UD
		860		G $\frac{1}{2}$	538 183	VHER-AH-M04C-G12-UD
	Mid-position exhausted	260	Side	G $\frac{1}{8}$	538 184	VHER-AH-M04E-G18-LD
		560		G $\frac{1}{4}$	538 186	VHER-AH-M04E-G14-LD
		1,010		G $\frac{1}{2}$	538 188	VHER-AH-M04E-G12-LD
		220	Underneath	G $\frac{1}{8}$	538 185	VHER-AH-M04E-G18-UD
		510		G $\frac{1}{4}$	538 187	VHER-AH-M04E-G14-UD
		860		G $\frac{1}{2}$	538 189	VHER-AH-M04E-G12-UD

1) The hand lever valve can be used as a 3/3-way valve by sealing port 2.

Hand lever valves VHER-BH

Technical data VHER with plastic lever

-  Flow rate
170 ... 4,300 l/min
-  Pressure
-0.95 ... +10 bar
-  Temperature range
-20 ... +80 °C



General technical data						
Pneumatic connection			M5	G1/8	G1/4	G1/2
Valve function	4/3-way, closed or exhausted					
Design	Rotary slide valve					
Sealing principle	Hard					
Type of mounting	Front panel mounting	Option of front panel mounting or through-holes				
Pilot control mode	Direct					
Actuation type	Manual					
Actuating lever	Polymer					
Actuator lock	Lockable with accessories					
Switching position display	Via accessories					
Assembly position	Any					
Direction of flow	Reversible					
Standard nominal flow rate	Ports at side	[l/min]	170	600	1,150	3,500
	Ports underneath	[l/min]	260	800	1,500	4,300
Nominal size		[mm]	4	6	8	12
Pneumatic connection 1,2,3,4			M5	G1/8	G1/4	G1/2
Actuating force at 6 bar		[N]				
Actuating torque at 10 bar		[Nm]	0.6	1.1	2.8	-

Operating and environmental conditions		
Operating medium		Filtered compressed air, lubricated or unlubricated, grade of filtration 40µm
Operating pressure	[bar]	-0.95 ... 10
Ambient temperature	[°C]	-20 ... +80
Corrosion resistance class	[CRC]	2 ¹⁾

1) Corrosion resistance class 2 according to Festo standard 940 070
Components requiring moderate corrosion resistance. Externally visible parts with primarily decorative surface requirements which are in direct contact with a normal industrial environment or media such as coolants or lubricating agents.

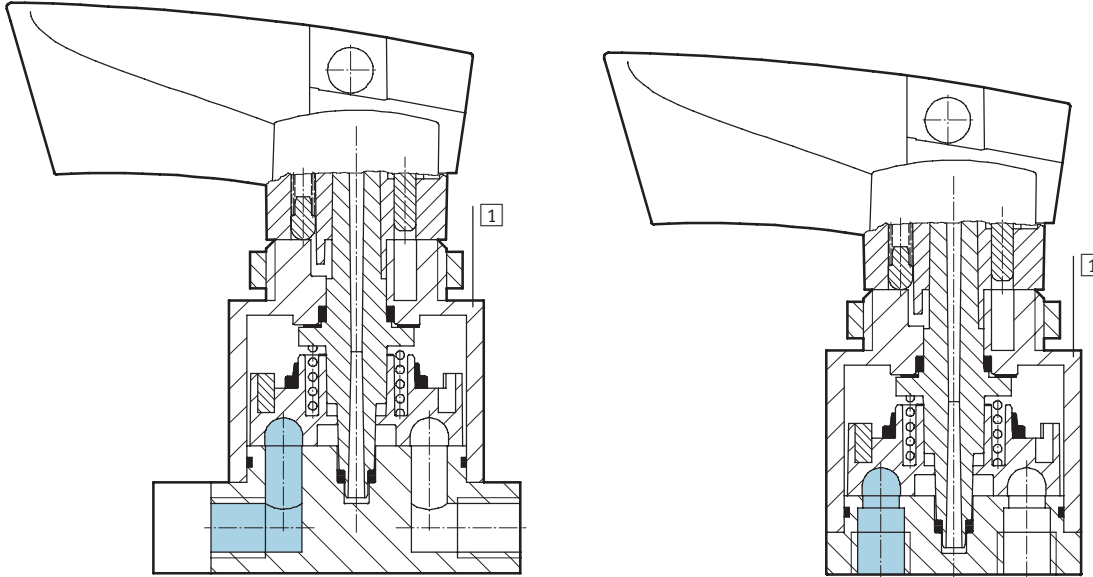
Proximity sensors for switching position display			
Pneumatic connection	Connection direction	Type	
		SME-10F-... L-...	SME-10F-... Q-...
M5	Underneath (UD)	■	■
	Side (LD)	-	■
G1/8	Underneath	■	■
	Side	-	■
G1/4	Underneath	■	■
	Side	-	■
G1/2	Underneath	■	■
	Side	-	■

Hand lever valves VHER-BH

Technical data VHER with plastic lever

Sectional view

Hand lever valves VHER-BH...



Materials

1	Housing	Reinforced PA or die-cast aluminium
-	Seals	Nitrile rubber
-		Contains PWIS (paint wetting impairment substances)
-		Free of copper and PTFE (paint wetting impairment substances)

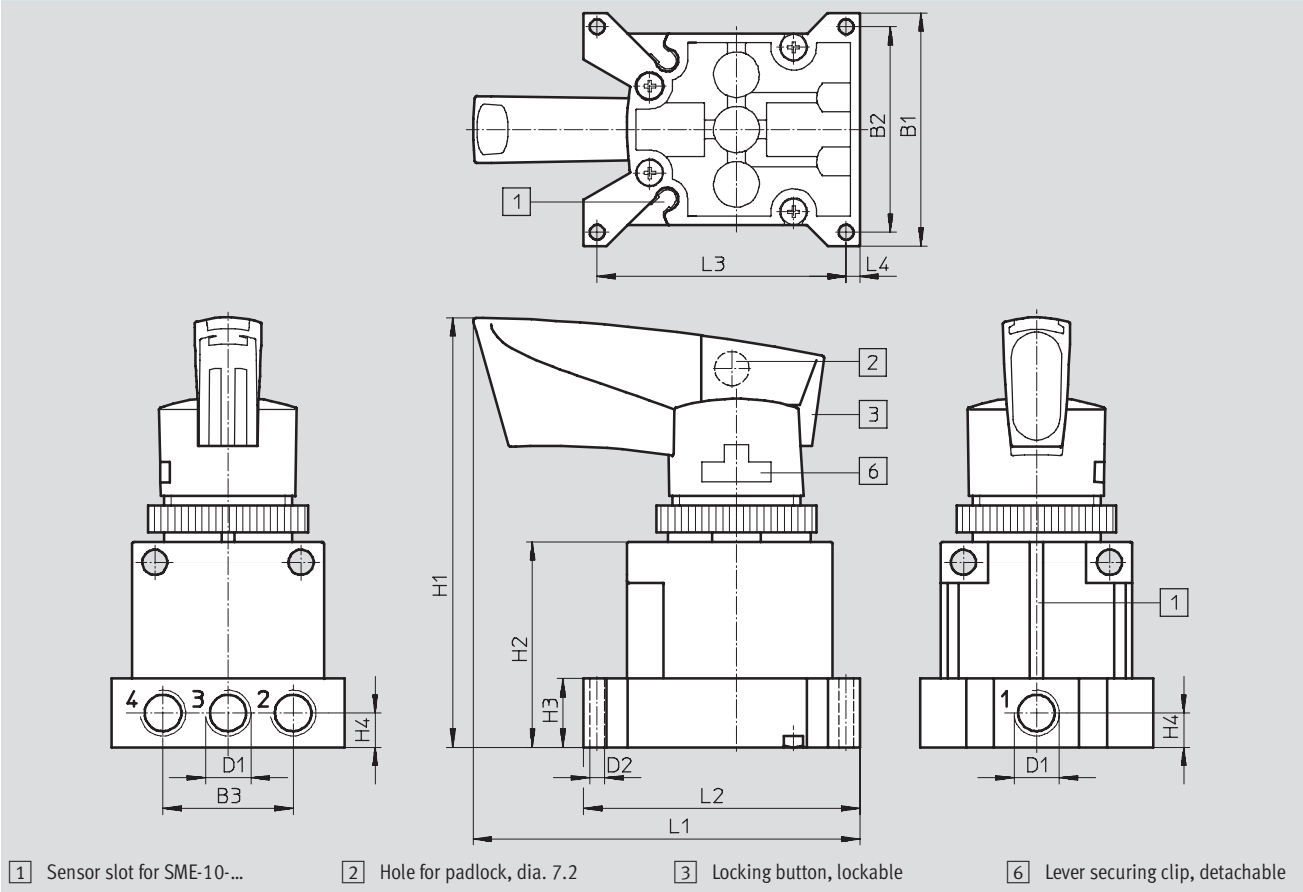
Hand lever valves VHER-BH

Technical data VHER with plastic lever

Dimensions

Download CAD data → www.festo.com

Ports M5 and G $\frac{1}{8}$, side



Type	B1	B2	B3	D1	D2 ∅	H1	H2	H3	H4	L1	L2	L3	L4
VHER-BH-...-M05-LD	37	32	17.4	M5	2.5	82	32	10	5	78	45	40	2.5
VHER-BH-...-G18-LD	51	45	28.5	G $\frac{1}{8}$	3	94	45	15	7.5	85	60.5	54.5	3

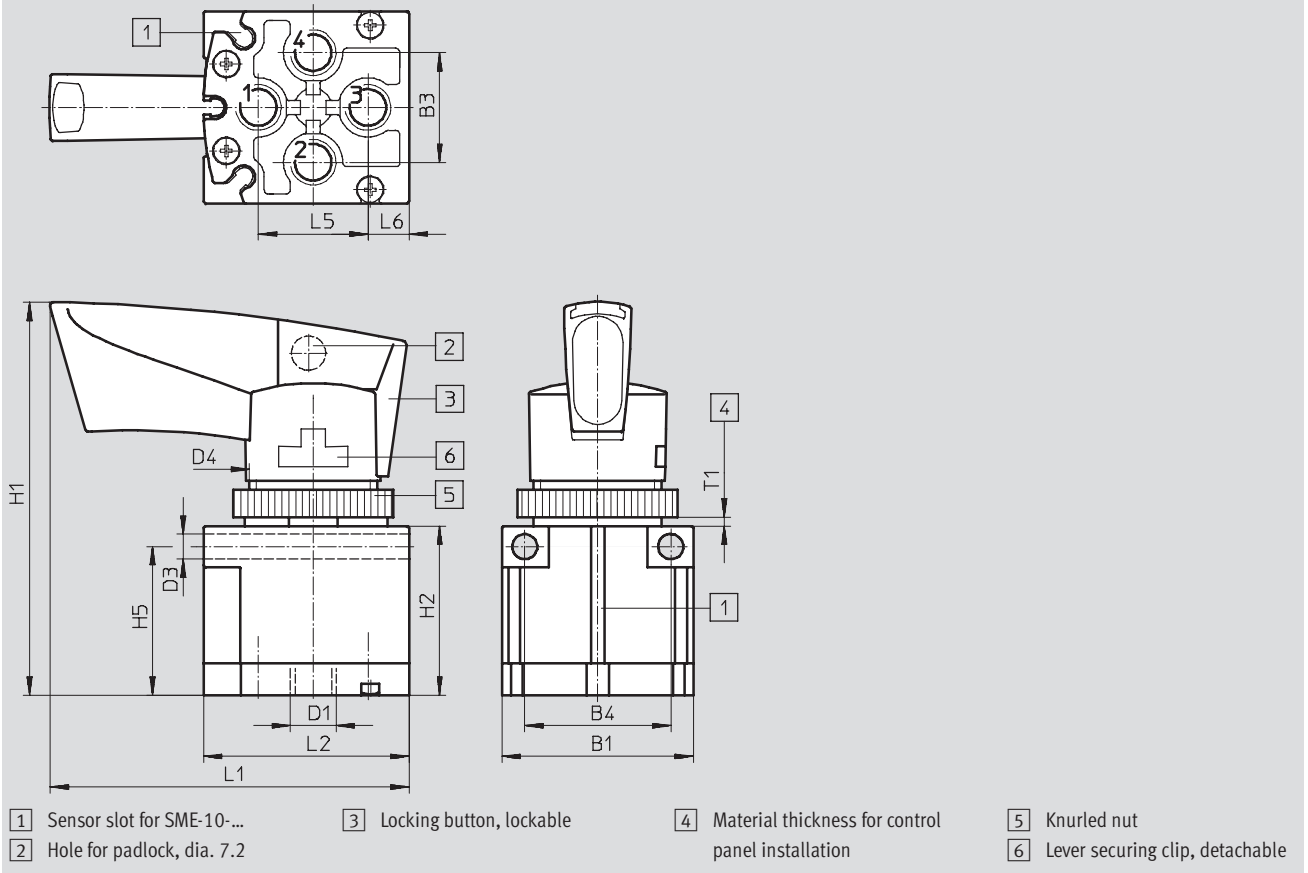
Hand lever valves VHER-BH

Technical data VHER with plastic lever

Dimensions

Download CAD data → www.festo.com

Ports M5 and G $\frac{1}{8}$, underneath



Type	B1	B3	B4	D1	D3 ∅	D4	H1	H2	H5	L1	L2	L5	L6	T1
VHER-BH-...-M05-UD	30	17	-	M5	-	M22	79	28.6	-	73	33.8	17	6.5	2 ... 4
VHER-BH-...-G18-UD	42	24	32	G $\frac{1}{8}$	5.5	M30	86	37	32.5	79	45	24	9	1.5 ... 4.5

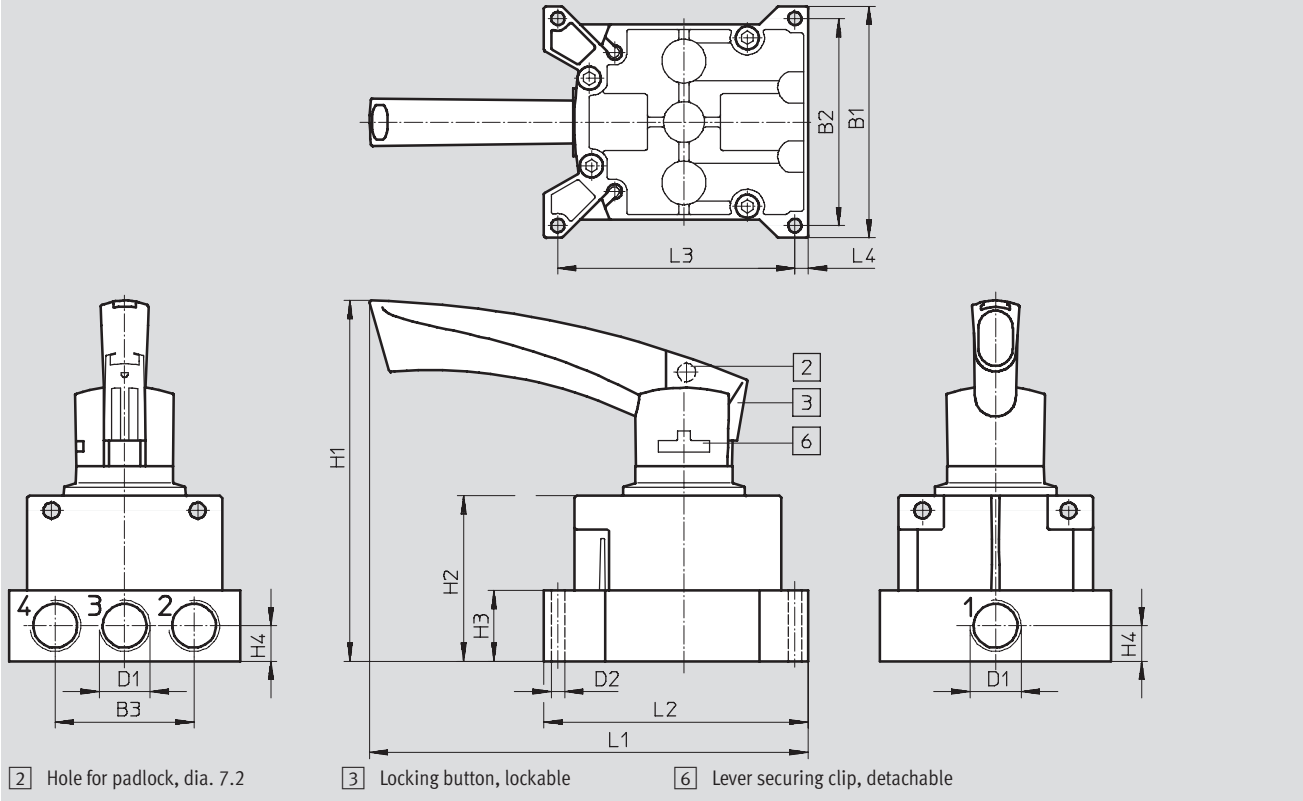
Hand lever valves VHER-BH

Technical data VHER with plastic lever

Dimensions

Download CAD data → www.festo.com

Ports G¹/₄ and G¹/₂, side



Type	B1	B2	B3	D1	D2 ∅	H1	H2	H3	H4	L1	L2	L3	L4
VHER-BH-...-G14-LD	66	57.5	37.5	G ¹ / ₄	4.3	136	55.5	20.5	10.25	166	77	69.2	4
VHER-BH-...-G12-LD	96	85	57	G ¹ / ₂	5.3	148	67.8	29	14.5	180	108.5	97.3	5.5

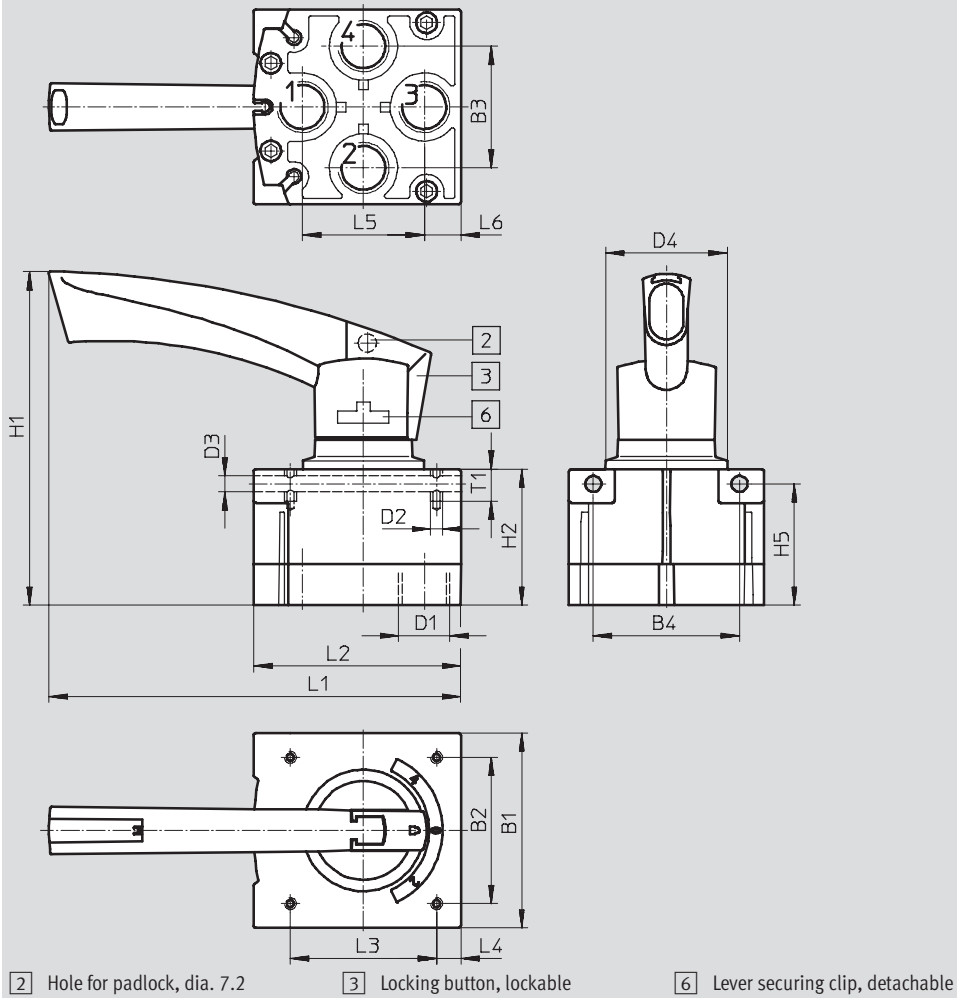
Hand lever valves VHER-BH

Technical data VHER with plastic lever

Dimensions

Download CAD data → www.festo.com

Ports G $\frac{1}{4}$ and G $\frac{1}{2}$, underneath



Type	B1	B2	B3	B4	D1	D2	D3 ∅	D4	H1	H2	H5	L1	L2	L3	L4	L5	L6	T1
VHER-BH-...-G14-UD	56.3	42	33	42	G $\frac{1}{4}$	M5	5.4	40.5	129	49	43.5	157	60.2	42	7.2	33	11.7	13
VHER-BH-...-G12-UD	80	60	50	60	G $\frac{1}{2}$	M6	6.5	51	137	55.8	49.8	169	84.8	60	10	50	15	16

Hand lever valves VHER-BH

Technical data VHER with plastic lever




Ordering data						
Circuit symbol	Description	Weight [g]	Connection direction	Pneumatic connection	Part No.	Type
4/3-way valve ¹⁾						
	Mid-position closed	95	Side	M5	538 190	VHER-BH-M04C-M05-LD
		165		G $\frac{1}{8}$	538 192	VHER-BH-M04C-G18-LD
		435		G $\frac{1}{4}$	538 194	VHER-BH-M04C-G14-LD
		900		G $\frac{1}{2}$	538 196	VHER-BH-M04C-G12-LD
		80	Underneath	M5	538 191	VHER-BH-M04C-M05-UD
		125		G $\frac{1}{8}$	538 193	VHER-BH-M04C-G18-UD
		375		G $\frac{1}{4}$	538 195	VHER-BH-M04C-G14-UD
		740		G $\frac{1}{2}$	538 197	VHER-BH-M04C-G12-UD
	Mid-position exhausted	95	Side	M5	538 198	VHER-BH-M04E-M05-LD
		165		G $\frac{1}{8}$	538 200	VHER-BH-M04E-G18-LD
		435		G $\frac{1}{4}$	538 202	VHER-BH-M04E-G14-LD
		900		G $\frac{1}{2}$	538 204	VHER-BH-M04E-G12-LD
		80	Underneath	M5	538 199	VHER-BH-M04E-M05-UD
		125		G $\frac{1}{8}$	538 201	VHER-BH-M04E-G18-UD
		375		G $\frac{1}{4}$	538 203	VHER-BH-M04E-G14-UD
		740		G $\frac{1}{2}$	538 205	VHER-BH-M04E-G12-UD

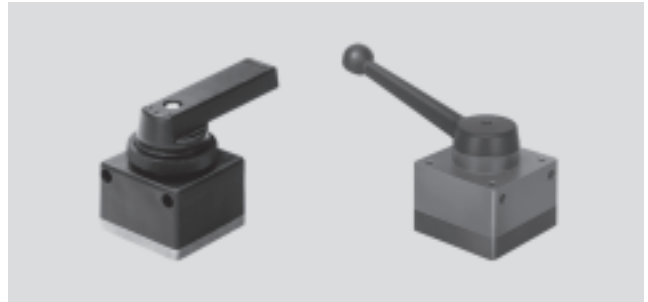
1) The hand lever valve can be used as a 3/3-way valve by sealing port 2.

Hand lever valves HS/HSO

Technical data

FESTO

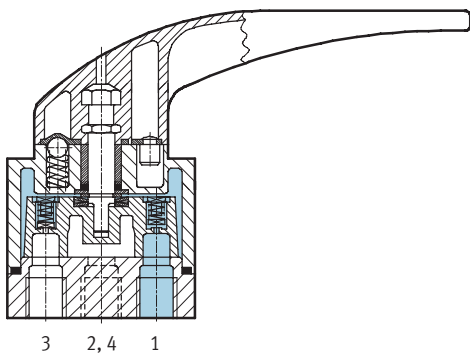
-  Flow rate
130 ... 3,500 l/min
-  Pressure
-0.95 ... +10 bar
-  Temperature range
-10 ... +60 °C



General technical data		M5	G1/8	G1/4	G-1/2
Pneumatic connection		M5	G1/8	G1/4	G-1/2
Operating medium		Filtered compressed air, lubricated or unlubricated Vacuum ¹⁾			
Design		Flat slide valve			
Type of mounting		Front panel mounting	Front panel mounting, mounting holes	Front panel mounting	
Nominal size	[mm]	3.6	6	8	12
Standard nominal flow rate 1 → 4	[l/min]	130	700	1,200	3,500
Operating pressure range		-0.95 ... +10 bar			
Actuating force at 6 bar		[N]	-	12	26
Actuating torque at 6 bar		[Nm]	0.3	1	-
Temperature range		[°C]	-20 ... +60		-20 ... +80
Materials	Housing	Die-cast aluminium, plastic			
	Seals	Nitrile rubber			
Weight	[g]	35	120	390	1,350

- 1) M5: vacuum at ports 1 and 3
 G1/8: vacuum at port 3
 G1/4: vacuum at ports 1 and 3
 G1/2: vacuum at port 3

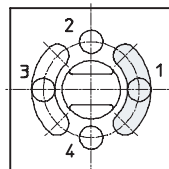
HS...-1/4



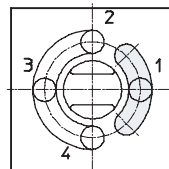
- 1 = Supply port
- 4, 2 = Working or outlet ports
- 3 = Exhaust

Ports underneath

HS



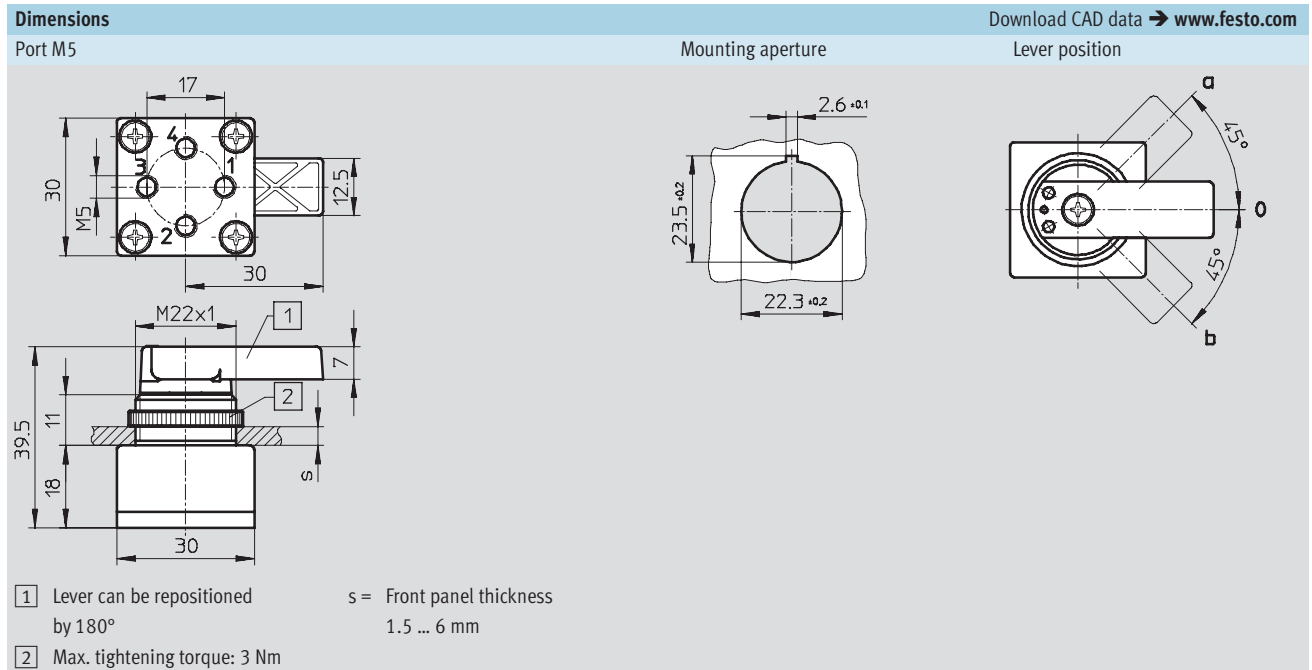
HSO



Hand lever valves HS/HSO

Technical data

FESTO



Hand lever valves HS/HSO

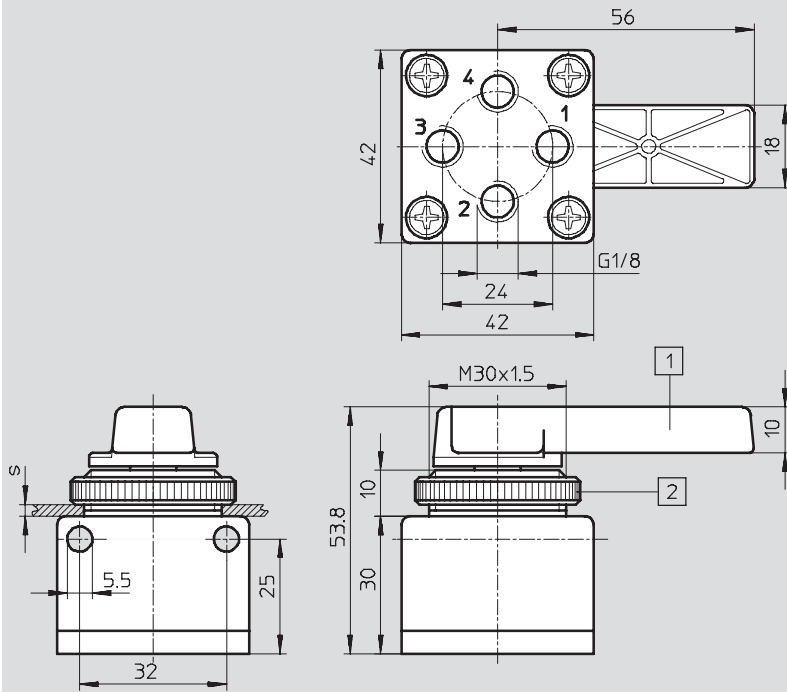
Technical data

FESTO

Dimensions

Download CAD data → www.festo.com

Port G1/8

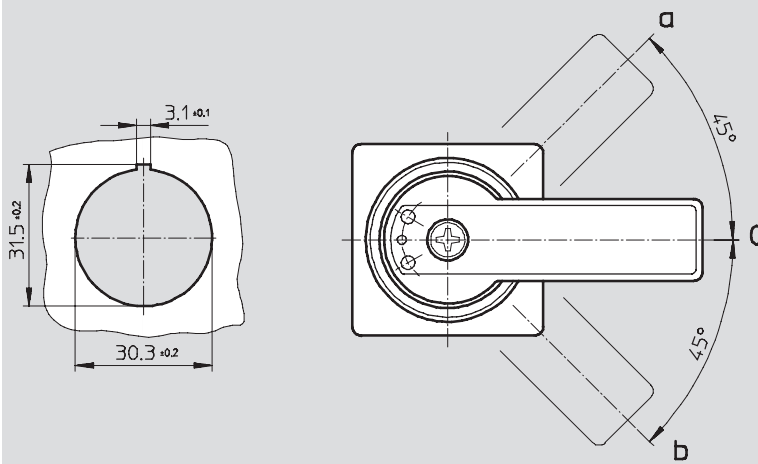


- 1 Lever can be repositioned by 180°
- 2 Max. tightening torque: 3 Nm

s = Front panel thickness
2 ... 5 mm

Mounting aperture

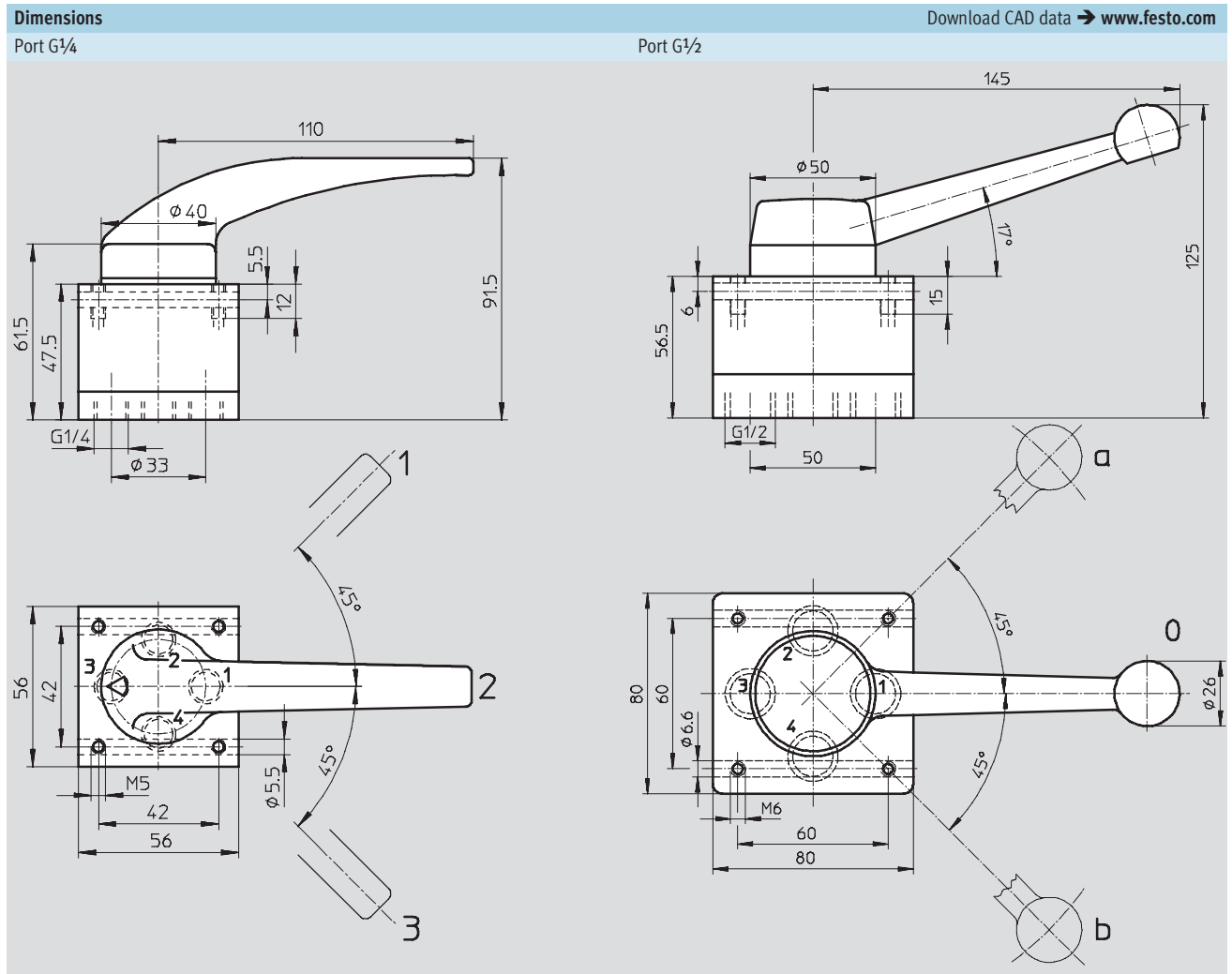
Lever position



Hand lever valves HS/HSO

Technical data

FESTO






Ordering data				
Circuit symbol	Description	Pneumatic connection	Part No.	Type
4/3-way valve ¹⁾				
	Mid-position closed	M5	34 639	HS-4/3-M5
		G $\frac{1}{8}$	151 842	HS-4/3-1/8-B
		G $\frac{1}{4}$	9 339	HS-4/3-1/4
		G $\frac{1}{2}$	9 784	HS-4/3-1/2-B
	Mid-position exhausted	M5	34 539	HSO-4/3-M5
		G $\frac{1}{8}$	151 843	HSO-4/3-1/8-B
		G $\frac{1}{4}$	9 340	HSO-4/3-1/4
		G $\frac{1}{2}$	9 785	HSO-4/3-1/2-B

1) The hand lever valve HS can be used as a 3/3-way valve by sealing port 2, blanking plugs → 26

Hand lever valves HS/HSO/VHER

Accessories

FESTO

Ordering data			
	Description	Pneumatic connection	Part No. Type
Blanking plugs			
	For sealing ports	M5	3 843 B-M5¹⁾
		G ¹ / ₈	3 568 B-¹/₈
		G ¹ / ₄	3 569 B-¹/₄
		G ¹ / ₂	3 571 B-¹/₂
Silencers			
	For fitting in exhaust ports	-	→ Internet: u
Push-in fittings QS			
	For connecting compressed air tubing with standard O.D.	-	→ Internet: quick star

Permissible QS fittings ¹⁾ for VHER							
Part No.	Type	Part No.	Type	Part No.	Type	Part No.	Type
VHER-...-M05-UD		VHER-...-M05-LD		VHER-...-G18-UD		VHER-...-G18-LD	
153 302	QSM-M5-3	153 313	QSM-M5-3-I	186 264	QSM-G ¹ / ₈ -4	186 266	QSM-G ¹ / ₈ -4-I
153 304	QSM-M5-4	153 315	QSM-M5-4-I	186 265	QSM-G ¹ / ₈ -6	186 267	QSM-G ¹ / ₈ -6-I
153 306	QSM-M5-6			186 266	QSM-G ¹ / ₈ -4-I	186 106	QS-G ¹ / ₈ -4-I
153 313	QSM-M5-3-I			186 267	QSM-G ¹ / ₈ -6-I	186 107	QS-G ¹ / ₈ -6-I
153 315	QSM-M5-4-I			186 095	QS-G ¹ / ₈ -4	186 109	QS-G ¹ / ₈ -8-I
153 317	QSM-M5-6-I			186 096	QS-G ¹ / ₈ -6		
				186 098	QS-G ¹ / ₈ -8		
				186 106	QS-G ¹ / ₈ -4-I		
				186 107	QS-G ¹ / ₈ -6-I		
				186 109	QS-G ¹ / ₈ -8-I		
VHER-...-G14-UD		VHER-...-G14-LD		VHER-...-G12-UD		VHER-...-G12-LD	
186 097	QS-G ¹ / ₄ -6	186 108	QS-G ¹ / ₄ -6-I	186 104	QS-G ¹ / ₂ -12	186 115	QS-G ¹ / ₂ -12-I
186 099	QS-G ¹ / ₄ -8	186 110	QS-G ¹ / ₄ -8-I	186 105	QS-G ¹ / ₂ -16		
186 101	QS-G ¹ / ₄ -10	186 112	QS-G ¹ / ₄ -10-I	186 115	QS-G ¹ / ₂ -12-I		
186 108	QS-G ¹ / ₄ -6-I						
186 110	QS-G ¹ / ₄ -8-I						
186 112	QS-G ¹ / ₄ -10-I						

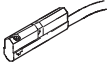
1) Scope of delivery 10 pieces

Permissible silencers for VHER							
Part No.	Type	Part No.	Type	Part No.	Type	Part No.	Type
VHER-...-M05-UD		VHER-...-M05-LD		VHER-...-G18-UD		VHER-...-G18-LD	
4 645	U-M5	4 645	U-M5	6 841	U- ¹ / ₈ -B	161 419	UC- ¹ / ₈
165 003	UC-M5	165 003	UC-M5	161 419	UC- ¹ / ₈		
				2 307	U- ¹ / ₈		
VHER-...-G14-UD		VHER-...-G14-LD		VHER-...-G12-UD		VHER-...-G12-LD	
6 842	U- ¹ / ₄ -B	165 004	UC- ¹ / ₄	6 844	U- ¹ / ₂ -B	6 844	U- ¹ / ₂ -B
165 004	UC- ¹ / ₄						
2 316	U- ¹ / ₄						

Hand lever valves VHER

Accessories

FESTO

Ordering data – Proximity sensors for VHER						
	Electrical connection		Cable length [m]	Connection direction	Part No.	Type
	Cable	Plug M8x1				
	N/O contact					
	3-wire	–	2.5	In-line	173 210	SME-10-KL-LED-24
				Lateral	173 211	SME-10-KQ-LED-24
	–	3-pin	0.3	In-line	173 212	SME-10-SL-LED-24
				Lateral	173 213	SME-10-SQ-LED-24