

Vacuum gauges

FESTO



Vacuum gauges

Technical data


FESTO

Vacuum gauge VAM, DIN EN 837-1

-  - Temperature range
-10 ... +60 °C

Function



-  - Pressure
-1 ... +9 bar

- Analogue display via Bourdon tube
- Vacuum gauges can be loaded up to $\frac{3}{4}$ of their full scale value under static load and up to $\frac{2}{3}$ under intermittent load conditions



| General technical data | | | |
|-------------------------------------|---|-----------------|-------------|
| Nominal tubing size, pressure gauge | 40 | 63 | |
| Type | VAM-40-V1/0 | VAM-63-V1/0 | VAM-63-V1/9 |
| Pneumatic connection | R $\frac{1}{8}$ | R $\frac{1}{4}$ | |
| Operating pressure [bar] | -1 ... 0 | -1 ... 0 | -1 ... +9 |
| Operating medium | Dried air, lubricated or unlubricated, vacuum | | |
| Design | Bourdon tube pressure gauge | | |
| Based on standard | DIN EN 837-1 | | |
| Type of mounting | Can be screwed in | | |
| Type of seal on threaded plug | Coating | | |
| Mounting position | Any | | |
| Connection position | Centre, rear side | | |
| Ambient temperature [°C] | -10 ... +60 | | |
| Accuracy of measurement, class | 2.5 | | |
| Factor, continuous load | 0.75 | | |
| Factor, intermittent load | 0.66 | | |

| Display | | | |
|-------------------------------------|----------------|----------------|--------------------|
| Nominal tubing size, pressure gauge | 40 | 63 | |
| Type | VAM-40-V1/0 | VAM-63-V1/0 | VAM-63-V1/9 |
| Scale | Double scale | Double scale | Double scale |
| | bar (outer) | bar (outer) | bar (outer) |
| | inchHg (inner) | inchHg (inner) | inchHg/psi (inner) |
| Indicating range [bar] | -1 ... 0 | -1 ... 0 | -1 ... +9 |
| | [inchHg] | -30 ... 0 | -30 ... 0 |
| | [psi] | - | 0 ... +130 |

| Product weights [g] | | |
|-------------------------------------|----|----|
| Nominal tubing size, pressure gauge | 40 | 63 |
| VAM | 63 | 83 |

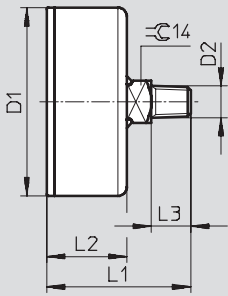
| Materials | |
|---------------|---------------------------|
| Housing | Acrylic butadiene styrene |
| Window shield | Polystyrene |
| Threaded plug | Brass |

Vacuum gauges

Technical data

FESTO

Dimensions



| Type | D1 ∅ | D2 | L1 | L2 | L3 |
|-------------|---------|------|---------|-----------|----|
| VAM-40 | 39 ±0.5 | R1/8 | 46 ±1 | 26 ±0.5 | 12 |
| VAM-63-V1/0 | 62 ±0.5 | R1/4 | 50 ±1 | 29 ±0.5 | 13 |
| VAM-63-V1/9 | 62 ±0.5 | R1/4 | 47.5 ±1 | 26.5 ±0.5 | 13 |


Ordering data


| Nominal tubing size, pressure gauge | Pneumatic connection | Indicating range | | | Part No. | Type |
|-------------------------------------|----------------------|------------------|-----------|------------|----------|---------------------|
| | | [bar] | [inchHg] | [psi] | | |
| 40 | R1/8 | -1 ... 0 | -30 ... 0 | - | 537810 | VAM-40-V1/0-R1/8-EN |
| 63 | R1/4 | -1 ... 0 | -30 ... 0 | - | 537811 | VAM-63-V1/0-R1/4-EN |
| | | -1 ... 9 | -30 ... 0 | 0 ... +130 | 537814 | VAM-63-V1/9-R1/4-EN |

Vacuum gauges

Technical data

Vacuum gauge VAM, DIN EN 837-1, with red-green range

 Temperature range
-10 ... +60 °C

 Pressure
-1 ... 0 bar

Function



- Analogue display via Bourdon tube
- Vacuum gauges can be loaded up to $\frac{3}{4}$ of their full scale value under static load and up to $\frac{2}{3}$ under intermittent load conditions
- The adjustable red-green range provides additional safety when monitoring compressed air



| General technical data | | |
|-------------------------------------|---------------------------------------|-----------------------------|
| Nominal tubing size, pressure gauge | 40 | 63 |
| Type | VAM-40-V1/0-R $\frac{1}{8}$ | VAM-63-V1/0-R $\frac{1}{4}$ |
| Pneumatic connection | R $\frac{1}{8}$ | R $\frac{1}{4}$ |
| Operating pressure [bar] | -1 ... 0 | |
| Operating medium | Dried air, lubricated or unlubricated | |
| Design | Bourdon tube pressure gauge | |
| Based on standard | DIN EN 837-1 | |
| Type of mounting | Can be screwed in | |
| Type of seal on threaded plug | Coating | |
| Mounting position | Any | |
| Connection position | Centre, rear side | |
| Ambient temperature [°C] | -10 ... +60 | |
| Accuracy of measurement, class | 2.5 | |
| Factor, continuous load | 0.75 | |
| Factor, intermittent load | 0.66 | |

| Display | | |
|-------------------------------------|-----------------------------|-----------------------------|
| Nominal tubing size, pressure gauge | 40 | 63 |
| Type | VAM-40-V1/0-R $\frac{1}{8}$ | VAM-63-V1/0-R $\frac{1}{4}$ |
| Scale | Single scale bar | Single scale bar |
| Indicating range [bar] | -1 ... 0 | |

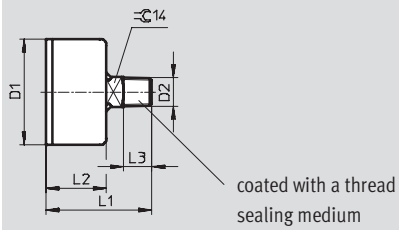
| Product weights [g] | | |
|-------------------------------------|-----------------------------|-----------------------------|
| Nominal tubing size, pressure gauge | 40 | 63 |
| Type | VAM-40-V1/0-R $\frac{1}{8}$ | VAM-63-V1/0-R $\frac{1}{4}$ |
| VAM | 65 | 90 |

| Materials | |
|---------------|---------------------------|
| Housing | Acrylic butadiene styrene |
| Window shield | Polystyrene |
| Segment | Polystyrene |
| Threaded plug | Brass |

Vacuum gauges

Technical data

Dimensions



| Type | D1 ∅ | D2 | L1 | L2 | L3 |
|-----------------|---------|------|---------|-----------|----|
| VAM-40-...-E-RG | 39 ±0.5 | R1/8 | 48.5 ±1 | 28.5 ±0.5 | 12 |
| VAM-63-...-E-RG | 62 ±0.5 | R1/4 | 53 ±1 | 32 ±0.5 | 13 |

Ordering data

| Nominal tubing size, pressure gauge | Pneumatic connection | Indicating range | Part No. | Type |
|-------------------------------------|----------------------|------------------|----------|-----------------------|
| | | [bar] | | |
| 40 | R1/8 | -1 ... 0 | 547842 | VAM-40-V1/0-R1/8-E-RG |
| 63 | R1/4 | -1 ... 0 | 547843 | VAM-63-V1/0-R1/4-E-RG |

Vacuum gauges

Technical data


FESTO

Vacuum gauge VAM

Function



-  - Temperature range
-40 ... +60 °C

-  - Pressure
-1 ... 0 bar

- Analogue display via Bourdon tube
- Vacuum gauges can be loaded up to $\frac{3}{4}$ of their full scale value under static load and up to $\frac{2}{3}$ under intermittent load conditions



| General technical data | | |
|---|---|-----------------|
| Nominal tubing size, pressure gauge | 40 | 63 |
| Type | VAM-40-V1/0 | VAM-63-V1/0 |
| Pneumatic connection | G $\frac{1}{8}$ | G $\frac{1}{4}$ |
| Operating pressure [bar] | -1 ... 0 | -1 ... 0 |
| Operating medium | Filtered compressed air, lubricated or unlubricated, vacuum | |
| Design | Bourdon tube pressure gauge | |
| Conforms to | DIN EN 837-1 | |
| Type of mounting | Can be screwed in | |
| Connection position | Centre, rear side | |
| Ambient temperature [°C] | -40 ... +60 | |
| Corrosion resistance classification CRC ¹⁾ | 4 | |
| Accuracy of measurement, class | 2.5 | |
| Protection class | IP43 | |

1) CRC4: Corrosion resistance class to Festo standard 940 070
Components with very heavy corrosion exposure. Components in contact with aggressive media, e.g. in food or chemical industries. These applications must, if necessary, be verified by special tests with the media concerned.

| Display | | |
|-------------------------------------|--------------------|----------------|
| Nominal tubing size, pressure gauge | 40 | 63 |
| Type | VAM-40-V1/0 | VAM-63-V1/0 |
| Scale | Double scale | Double scale |
| | bar (outer) | bar (outer) |
| | inchHg (inner) | inchHg (inner) |
| Indicating range [bar] | -1 ... 0 | -1 ... 0 |
| | [inchHg] -30 ... 0 | -30 ... 0 |

| Product weights [g] | | |
|-------------------------------------|----|-----|
| Nominal tubing size, pressure gauge | 40 | 63 |
| VAM | 63 | 112 |

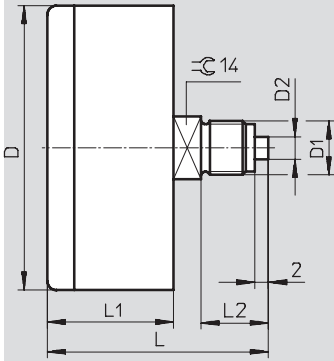
| Materials | |
|------------------|----------------------------|
| Housing | High-alloy stainless steel |
| Window shield | Polycarbonate |
| Note on material | Free of copper and PTFE |

Vacuum gauges

Technical data

FESTO

Dimensions



| Type | D | D1 | D2 | L | L1 | L2 |
|--------|----|-----------------|----|------|------|----|
| VAM-40 | 40 | G $\frac{1}{8}$ | 8 | 43.5 | 27.5 | 10 |
| VAM-63 | 63 | G $\frac{1}{4}$ | 5 | 51 | 30 | 15 |

Ordering data


| Nominal tubing size, pressure gauge | Pneumatic connection | Indicating range | | Part No. | Type |
|-------------------------------------|----------------------|------------------|-----------|----------|--------------------------------|
| | | [bar] | [inchHg] | | |
| 40 | G $\frac{1}{8}$ | -1 ... 0 | -30 ... 0 | 183521 | VAM-40-V1/0- $\frac{1}{8}$ -CT |
| 63 | G $\frac{1}{4}$ | -1 ... 0 | -30 ... 0 | 183522 | VAM-63-V1/0- $\frac{1}{4}$ -CT |

Vacuum gauges

Technical data


FESTO

Vacuum gauge FVAM, DIN EN 837-1

-  - Temperature range
-10 ... +60 °C

Function



-  - Pressure
-1 ... 0 bar

- Analogue display via Bourdon tube
- Vacuum gauges can be loaded up to $\frac{3}{4}$ of their full scale value under static load and up to $\frac{2}{3}$ under intermittent load conditions.



| General technical data | | |
|-------------------------------------|---|-----------------|
| Nominal tubing size, pressure gauge | 40 | 63 |
| Pneumatic connection | G $\frac{1}{8}$ | G $\frac{1}{4}$ |
| Operating pressure [bar] | -1 ... 0 | -1 ... 0 |
| Operating medium | Dried air, lubricated or unlubricated, vacuum | |
| Design | Bourdon tube pressure gauge | |
| Based on standard | DIN EN 837-1 | |
| Type of mounting | Panel mounting | |
| Type of seal on threaded plug | Coating | |
| Mounting position | Any | |
| Connection position | Centre, rear side | |
| Ambient temperature [°C] | -10 ... +60 | |
| Accuracy of measurement, class | 2.5 | |
| Factor, continuous load | 0.75 | |
| Factor, intermittent load | 0.66 | |

| Display | | |
|-------------------------------------|--------------------|----------------|
| Nominal tubing size, pressure gauge | 40 | 63 |
| Scale | Double scale | Double scale |
| | bar (outer) | bar (outer) |
| | inchHg (inner) | inchHg (inner) |
| Indicating range [bar] | -1 ... 0 | -1 ... 0 |
| | [inchHg] -30 ... 0 | -30 ... 0 |

| Product weights [g] | | |
|-------------------------------------|----|-----|
| Nominal tubing size, pressure gauge | 40 | 63 |
| FVAM | 81 | 121 |

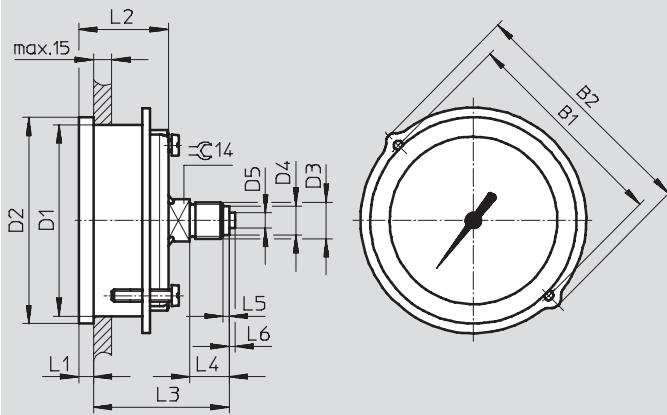
| Materials | |
|---------------|---------------------------|
| Housing | Acrylic butadiene styrene |
| Window shield | Polymethylmethacrylate |
| Threaded plug | Brass |

Vacuum gauges

Technical data

FESTO

Dimensions



| Type | B1 | B2 | D1 Ø | D2 Ø | D3 | D4 Ø | D5 Ø | L1 | L2 | L3 | L4 | L5 | L6 |
|---------|----|----|---------|---------|-----------------|---------|---------|-----|------|------|----|----|----|
| FVAM-40 | 48 | 56 | 40 | 45 | G $\frac{1}{8}$ | 8 | - | 4.5 | 26.5 | 40 | 10 | 2 | - |
| FVAM-63 | 70 | 79 | 63 | 68 | G $\frac{1}{4}$ | 9.5 | 5 | 4.8 | 29.5 | 42.5 | 13 | 2 | 2 |

Ordering data

| Nominal tubing size, pressure gauge | Pneumatic connection | Indicating range | | Part No. | Type |
|-------------------------------------|----------------------|------------------|-----------|----------|----------------------------------|
| | | [bar] | [inchHg] | | |
| 40 | G $\frac{1}{8}$ | -1 ... 0 | -30 ... 0 | 537812 | FVAM-40-V1/0-G $\frac{1}{8}$ -EN |
| 63 | G $\frac{1}{4}$ | -1 ... 0 | -30 ... 0 | 537813 | FVAM-63-V1/0-G $\frac{1}{4}$ -EN |