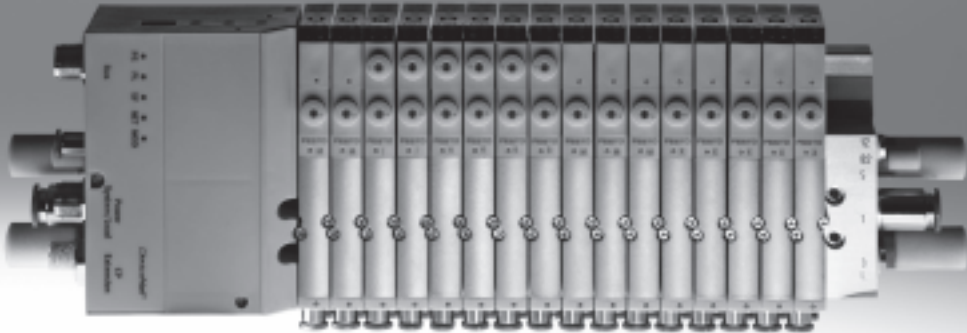


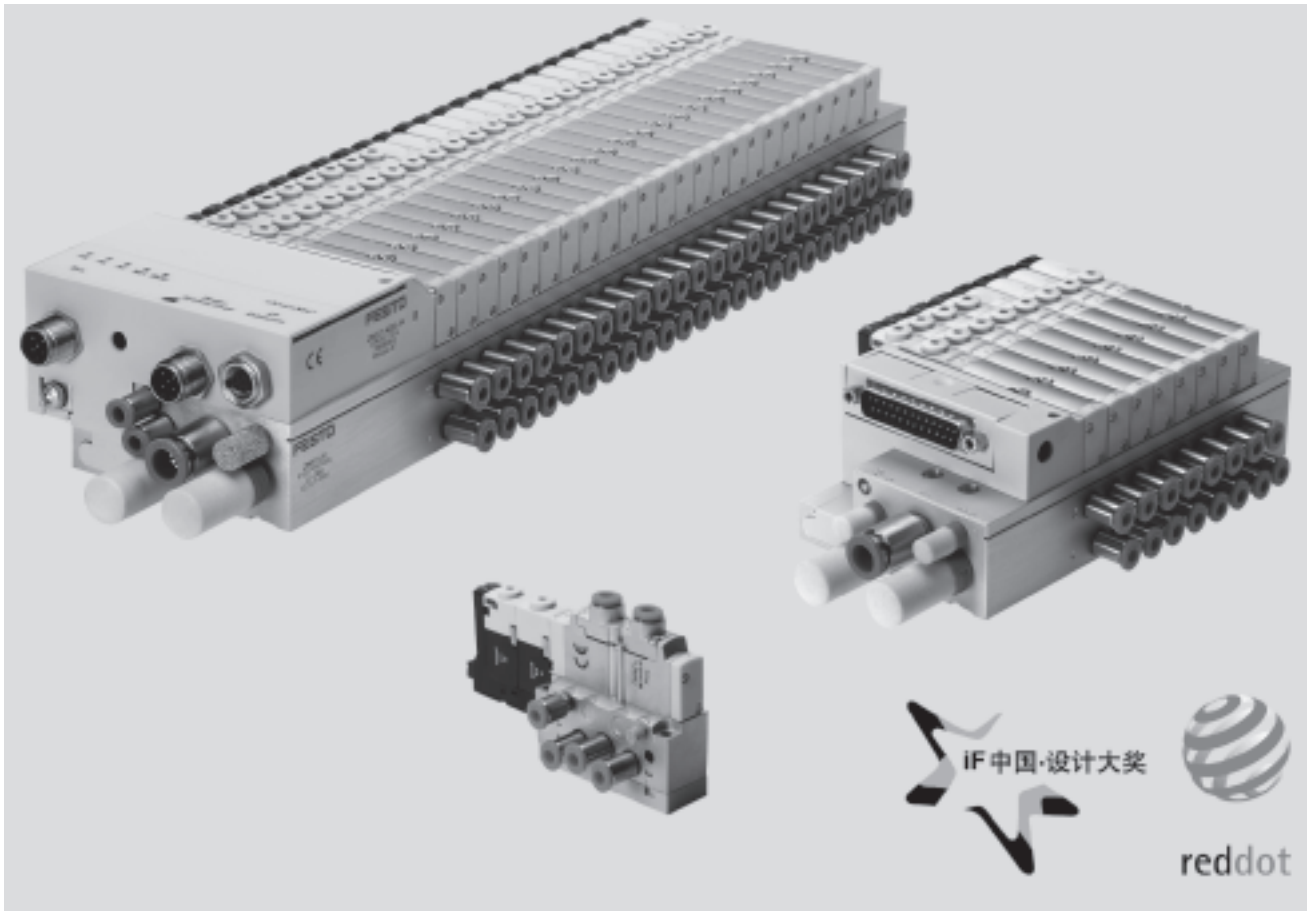
# Valve terminals type 82 CPA-SC, Smart Cubic



# Valve terminals type 82 CPA-SC, Smart Cubic

Key features

FESTO



## Innovative

- Compact valve terminal for a wide range of pneumatic applications
- Standardised from the individual valve up to multi-pin plug and fieldbus connections
- Highly versatile during the planning and assembly stages as well as in operational use
- Wide range of selectable valve functions, including valve functions for customised pressure supplies or vacuum application solutions
- Comprehensive, optimally harmonised range of accessories for flow rates of up to 180 l/min

## Versatile

- Room for expansion with 2 ... 24 valve positions on one terminal
- Use of individual valves in combination with an individual block
- The flexibility of the pneumatic working connections facilitates a practical solution to different requirements
- Tubing lines can be connected horizontally to the valve or vertically on the sub-base
- High pressure range -0.9 ... 10 bar
- Wide range of electrical connections for 24 V DC operating voltage

## Reliable

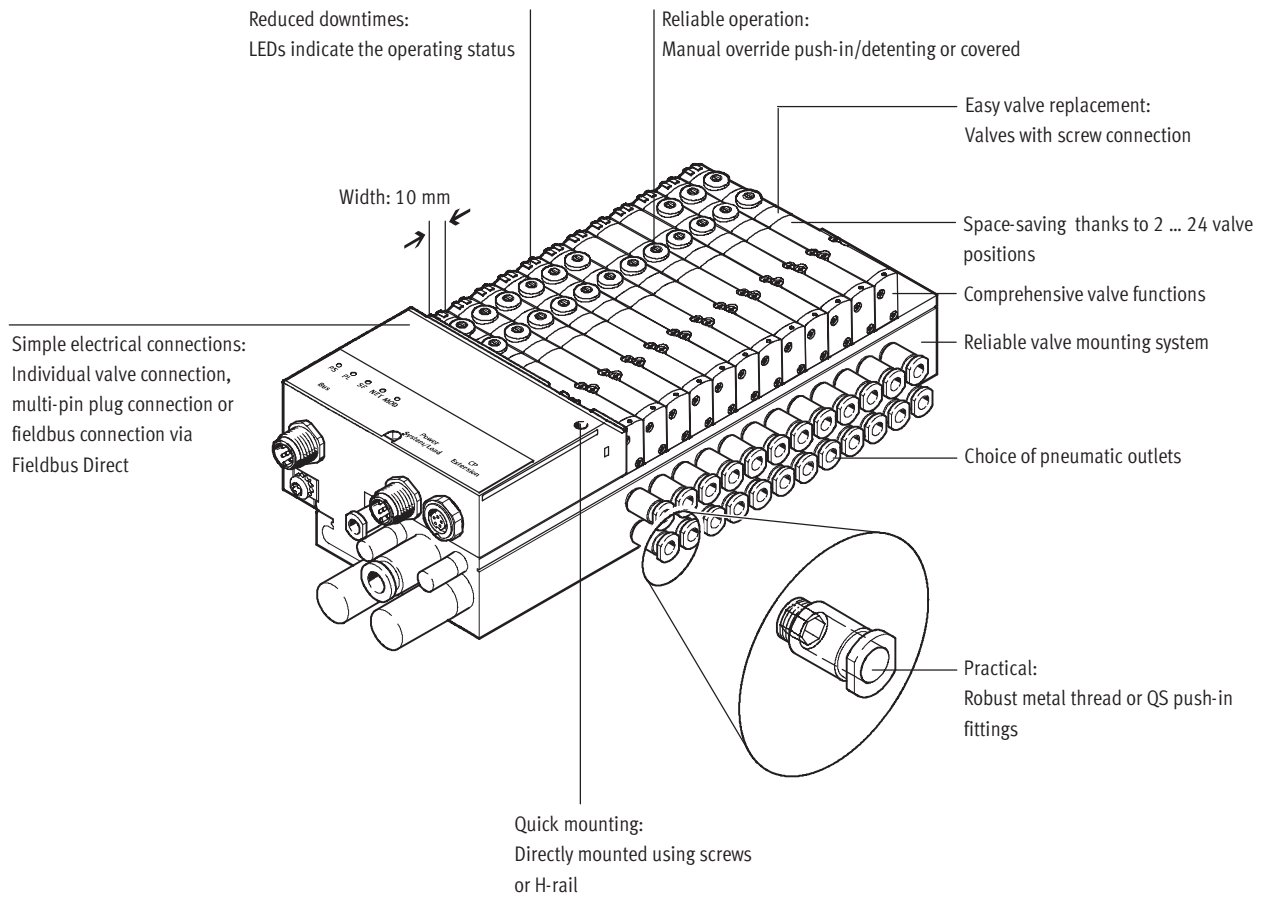
- Manual override facility
- Durable thanks to the use of tried-and-tested piston spool valves
- Sturdy thanks to metal housing and connecting thread
- Fast troubleshooting thanks to LEDs on the valves and diagnosis via fieldbus

## Easy-to-mount

- Ready-to-install unit, already assembled and tested
- Minimised expenditure with regard to ordering, installation and commissioning
- Secure wall mounting or via H-rail

# Valve terminals type 82 CPA-SC, Smart Cubic

Key features



## Equipment options

### Valve functions

- |  |  |  |   |
|--|--|--|---|
| <ul style="list-style-type: none"> <li>• 5/2-way valve, single solenoid</li> <li>• 5/2-way valve, double solenoid</li> <li>• 2x 3/2-way valve, normally open</li> <li>• 2x 3/2-way valve, normally closed</li> </ul> | <ul style="list-style-type: none"> <li>• 5/3-way valve, mid-position pressurised</li> <li>• 5/3-way valve, mid-position closed</li> <li>• 5/3-way valve, mid-position exhausted</li> </ul> | <ul style="list-style-type: none"> <li>• 1x 3/2-way valve, normally closed, external compressed air supply</li> <li>• 2x 2/2-way valve, normally closed, dual compressed air supply</li> </ul> | <p>All valves have the same compact dimensions with an overall length of 91 mm and a width of 10 mm. Valves with a height of 40 mm are available for applications requiring particularly flat variants.</p> |
|--|--|--|---|

### Electrical connection options

#### Individual connection/individual sub-base valve

- Plug-in (PI)
- Horizontal connection (HC)

#### Multi-pin

- Max. 20 valve positions/ max. 20 solenoid coils
- Sub-D
- Flat cable

#### Fieldbus

- Max. 24 valve positions/ max. 32 solenoid coils

#### CP string extension

- Further valve terminals from the CPV/CPA range
- Electrical I/O modules

# Valve terminals type 82 CPA-SC, Smart Cubic

Key features



## Valve terminal configurator

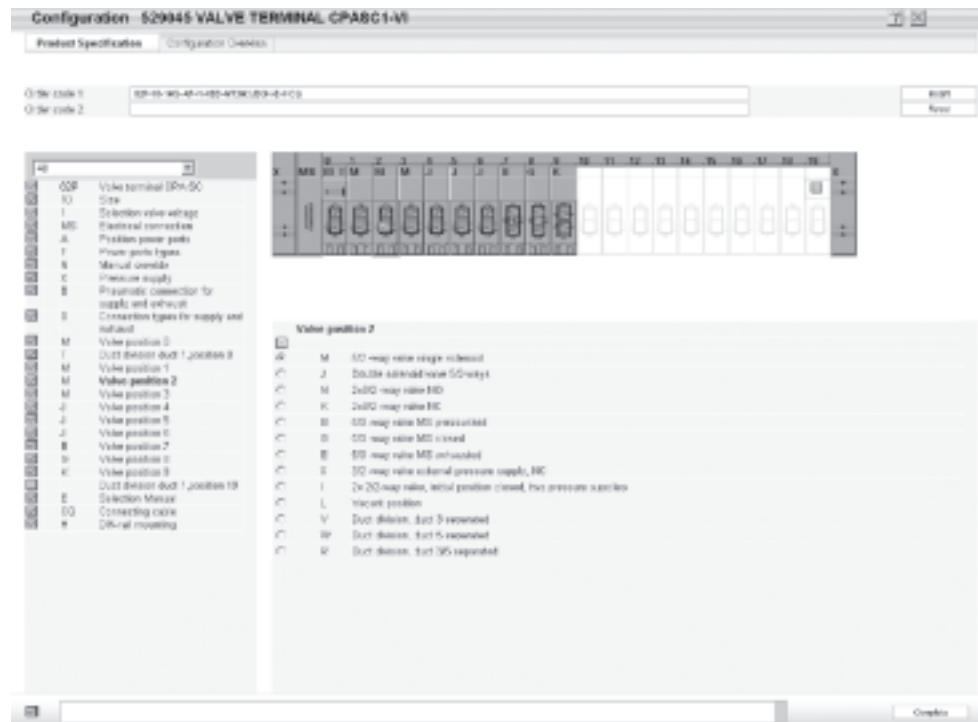
Online via: → [www.festo.com](http://www.festo.com)

A valve terminal configurator is available to help you select a suitable CPASC valve terminal. This makes it much easier for you to find the right product.

The valve terminals are fully assembled according to your order specifications and individually tested. This reduces the amount of assembly and installation required to a minimum. A type 82 valve terminal is ordered via a modular order code.

Ordering system for type 82

→ Internet: type 82

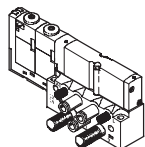


# Valve terminals type 82 CPA-SC, Smart Cubic

Key features

## Individual connection

Valve on individual sub-base



Valves can also be used on an individual block for actuators further away from the valve terminal.

With an individual electrical connection, the plug is connected directly to the valve. Two electrical connection types are available for the valve terminal and for the individual block:

- Horizontal connection (HC)

Version SH:

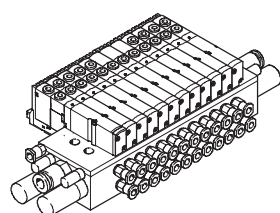
The electrical connection can be plugged in directly on the valve.

- Plug-in (PI)

Version SP, SQ:

The connector plug is mounted on an adapter. This adapter is then attached to the manifold block.

## Valves pneumatically linked on manifold sub-base

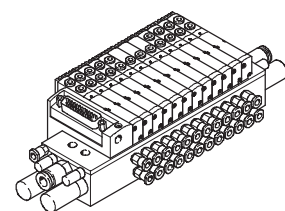


Connection is independent of the control technology used. This ensures correct polarity during installation.

The valve is equipped with an LED which indicates switching status, and an overvoltage protective circuit. It also features a built-in current reduction circuit.

Individual connection permits the selection of 2 to 32 solenoid coils (divided between 2 to 16 valve positions, including in uneven gradations).

## Multi-pin plug connection



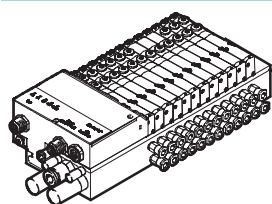
Control signals from the controller to the valve terminal are transmitted via a pre-assembled multi-core cable, which substantially reduces installation time.

These valve terminals can be fitted with 2 to 20 solenoid coils (divided between 2 to 20 valve positions).

Variants

- Sub-D connection
- Flat cable connection

## Fieldbus Direct



An integrated fieldbus node manages the communication connection to a higher-order PLC. This enables a space-saving pneumatic and electronic solution.

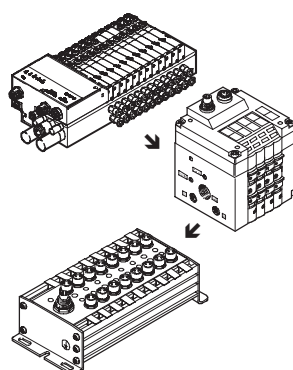
The fieldbus node is directly integrated in the electrical interface of the valve terminal and therefore takes up only a minimal amount of space.

The CP string extension option allows the functions and components of the CP installation system to be used. Valve terminals with fieldbus interfaces can be equipped with 4 to 24 valve positions and 4 to 32 solenoid coils.

Variants

- DeviceNet connection
- Profibus connection
- 4 to 32 solenoid coils

## CP string extension



The optional string extension allows additional valve terminals and I/O modules to be connected to the fieldbus node of the CPA-SC. A CP string of the CPI installation system is integrated in the fieldbus node as an extension. Different input and output modules as well as CPV- and CPA valve terminals can be connected.

The maximum length of the CP string extension is 10 metres, which means that the extension modules can be mounted directly on site. All of the required electrical signals are transmitted via the CP cable, which in turn means that no further installation is needed on the extension module. The CP string interface offers:

- 32 input signals
- 32 output signals for output modules 24 V DC or solenoid coils
- Logic and sensor supply for the input modules
- Load voltage supply for the valve terminals
- Logic supply for the output modules

# Valve terminals type 82 CPA-SC, Smart Cubic

Peripherals overview

FESTO

## Overview – CPA-SC valve terminal with sub-base valves

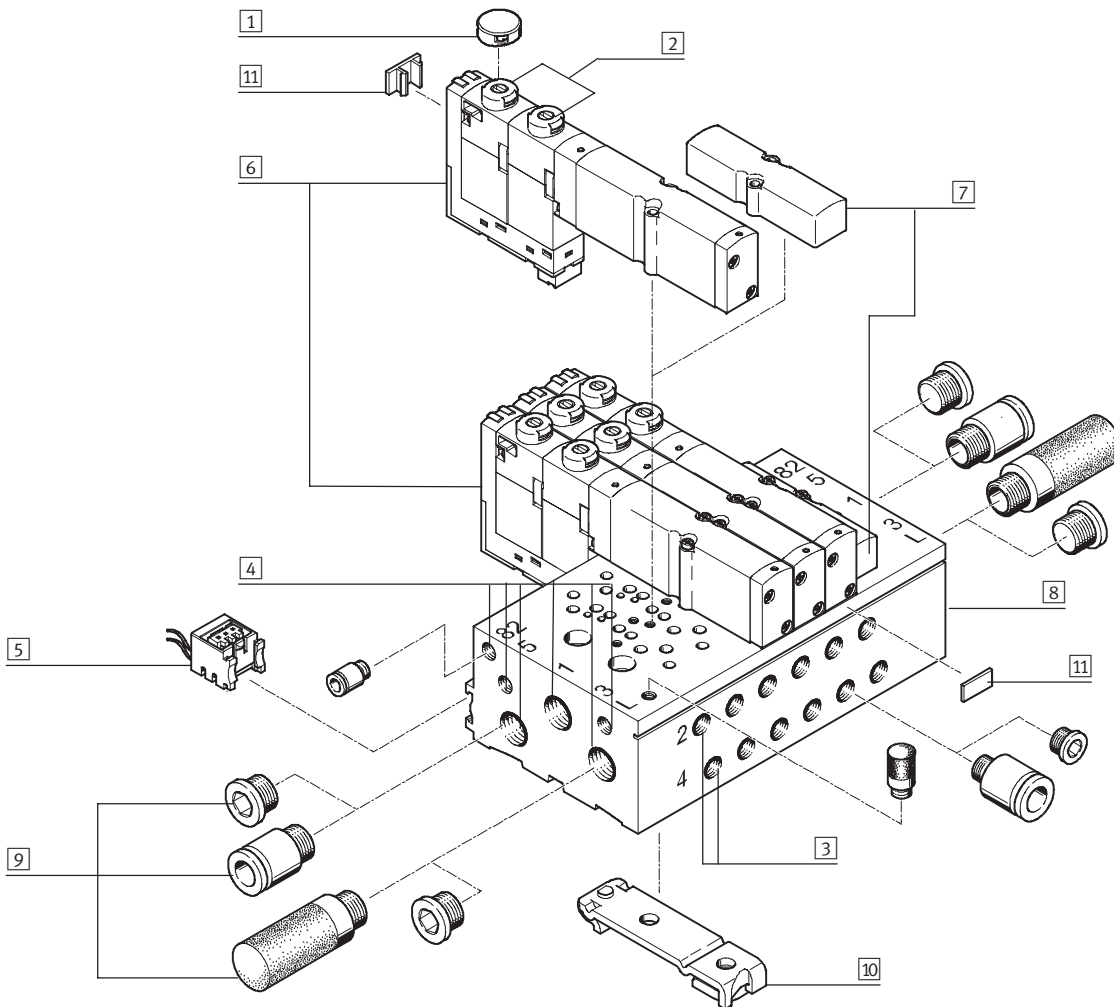
Valve terminal with individual plug-in (PI) electrical connections

Code: IP, IQ

Valve terminals with individual plug-in (PI) electrical connections are available in sizes for 2 to max. 16 valve positions. Each valve position can

either be equipped with a valve or a blanking plate. With an individual PI connection, the connector plug remains on the mani-

fold block. This avoids the valve being connected incorrectly in the event of a recommissioning.



- 1 Cover for manual override (optional)
- 2 Manual override (per solenoid coil, push-in/rotary-detenting)
- 3 Working lines (2, 4) on the manifold block (per valve position)

- 4 Supply ports (1, 12/14), exhaust ports (3, 5, 82/84) and pressure compensating port (L) on the left-hand and right-hand side of the manifold block

- 5 Individual plug-in (PI) connection
- 6 Valve
- 7 Cover for vacant position (blanking plate)
- 8 Manifold block for sub-base valves

- 9 Connectors, silencers and blanking plugs
- 10 H-rail mounting
- 11 Inscription labels

# Valve terminals type 82 CPA-SC, Smart Cubic

Peripherals overview

FESTO

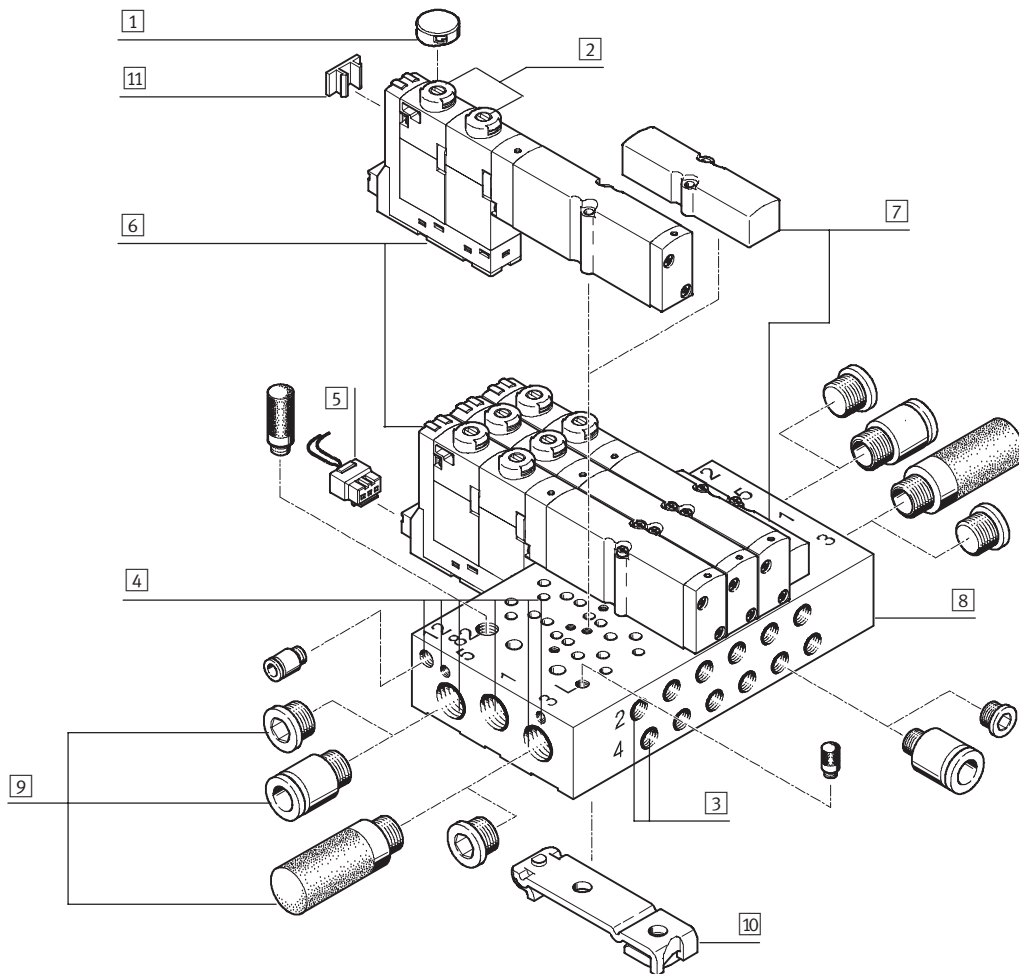
## Overview – CPA-SC valve terminal with sub-base valves

Valve terminal with individual horizontal (HC) electrical connections

Code: IH

Valve terminals with individual horizontal electrical connections (HC) are available in sizes for 2 to max. 16 valve positions. Each valve position can either be equipped with a valve or a blanking plate.

With an individual horizontal connection, the electrical connection for a valve must be removed when the valve is being replaced.



- |   |   |   |  |
|---|---|---|--|
| <p>1 Cover for manual override (optional)</p> <p>2 Manual override (per solenoid coil, push-in/rotary-detenting)</p> <p>3 Working lines (2, 4) on the manifold block (per valve position)</p> | <p>4 Supply ports (1, 12/14), exhaust ports (3, 5, 82/84) and pressure compensating port (L) on the left-hand and right-hand side of the manifold block</p> | <p>5 Individual horizontal connection (HC)</p> <p>6 Valve</p> <p>7 Cover for vacant position (blanking plate)</p> | <p>8 Manifold block for sub-base valves</p> <p>9 Connectors, silencers and blanking plugs</p> <p>10 H-rail mounting</p> <p>11 Inscription labels</p> |
|---|---|---|--|

# Valve terminals type 82 CPA-SC, Smart Cubic

Peripherals overview

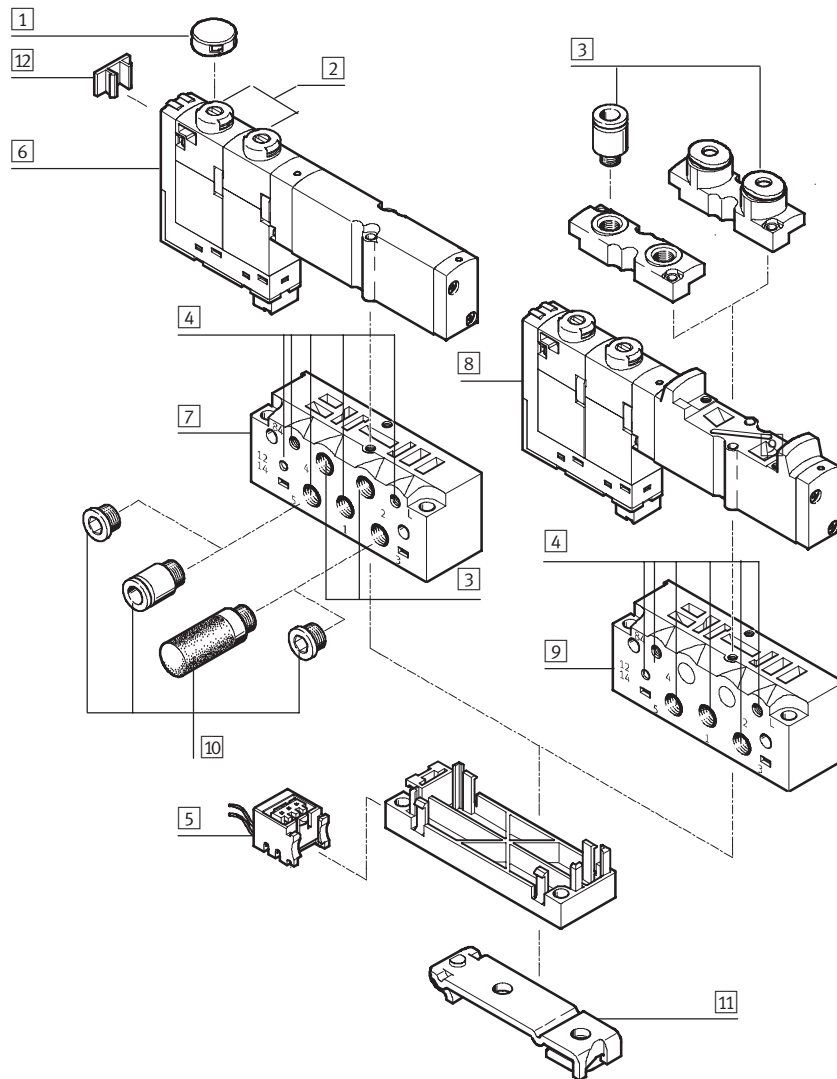
FESTO

## Overview – CPA-SC individual block with sub-base valve or semi in-line valve

Individual block with individual plug-in (PI) electrical connection

Code: SP, SQ

With an individual PI connection, the connector plug remains on the manifold block.



- |   |   |   |  |
|---|---|---|--|
| <p>1 Cover for manual override (optional)</p> <p>2 Manual override (per solenoid coil, push-in/rotary-detenting)</p> <p>3 Working lines (2, 4) on the individual block or on the valve (semi in-line version)</p> | <p>4 Supply ports (1, 12/14), exhaust ports (3, 5, 82/84) and pressure compensating port (L) on the individual block</p> <p>5 Individual horizontal connection (HC)</p> | <p>6 Sub-base valve</p> <p>7 Individual block for sub-base valve</p> <p>8 Semi in-line valve</p> <p>9 Individual block for semi in-line valve</p> | <p>10 Connectors, silencers and blanking plugs</p> <p>11 H-rail mounting</p> <p>12 Inscription label</p> |
|---|---|---|--|



# Valve terminals type 82 CPA-SC, Smart Cubic

Peripherals overview

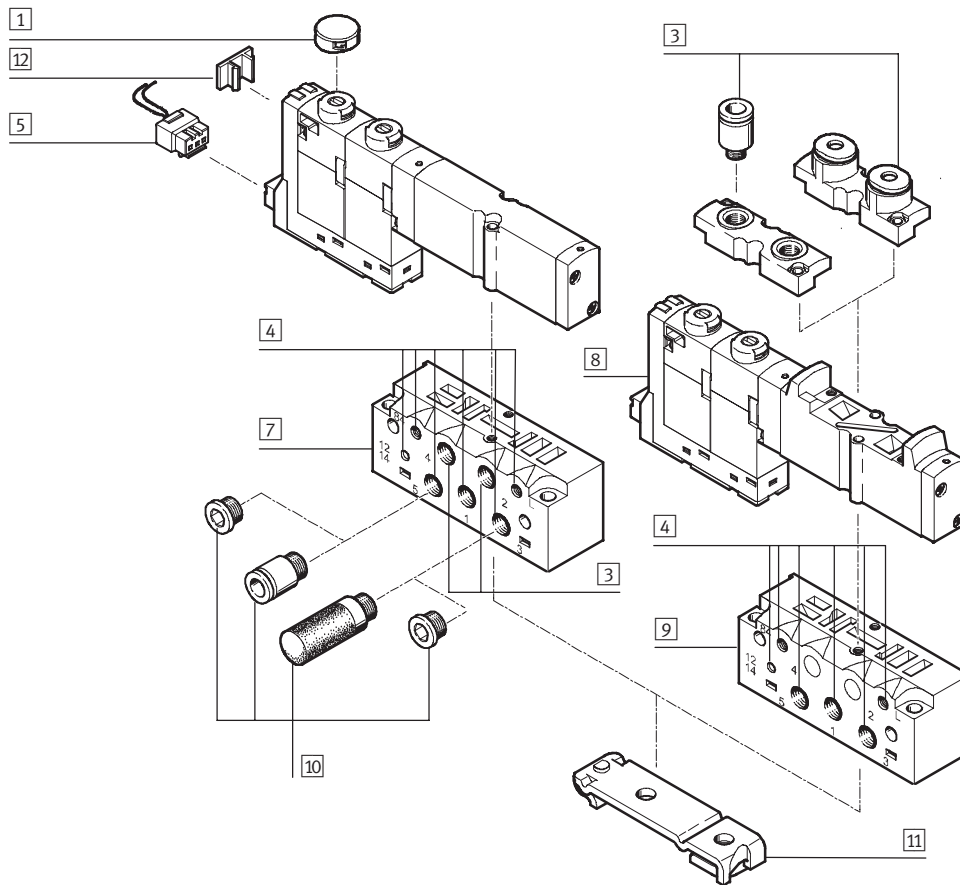
FESTO

## Overview – CPA-SC individual block with sub-base valve or semi in-line valve

Individual block with individual horizontal electrical connection (HC)

Code: SH

With an individual horizontal connection, the electrical connection for a valve must be removed when the valve is being replaced.



- |   |   |   |  |
|---|---|---|--|
| <p>1 Cover for manual override (optional)</p> <p>2 Manual override (per solenoid coil, push-in/rotary-detenting)</p> <p>3 Working lines (2, 4) on the individual block or on the valve (semi in-line version)</p> | <p>4 Supply ports (1, 12/14), exhaust ports (3, 5, 82/84) and pressure compensating port (L) on the individual block</p> <p>5 Individual horizontal connection (HC)</p> | <p>6 Sub-base valve</p> <p>7 Individual block for sub-base valve</p> <p>8 Semi in-line valve</p> <p>9 Individual block for semi in-line valve</p> | <p>10 Connectors, silencers and blanking plugs</p> <p>11 H-rail mounting</p> <p>12 Inscription label</p> |
|---|---|---|--|

# Valve terminals type 82 CPA-SC, Smart Cubic

Peripherals overview

FESTO

## Overview – CPA-SC valve terminal with electrical multi-pin plug connection

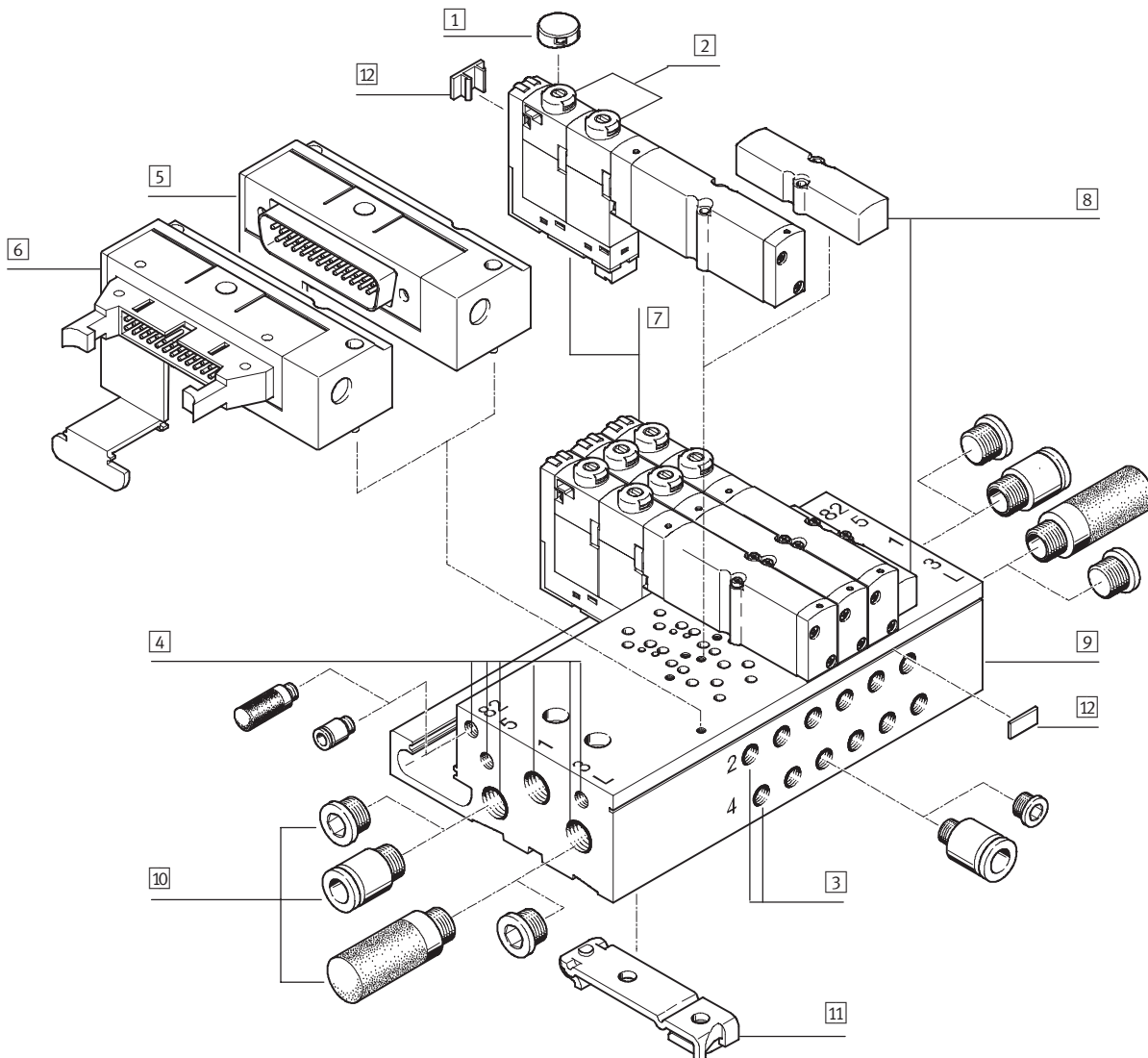
Valve terminal with sub-base valves

- 25-pin Sub-D multi-pin plug connection  
Code: MS
- or
- 26-pin multi-pin plug connection with connector for flat cable  
Code: MF

Valve terminals with electrical multi-pin plug connection are available in sizes for 2 to max. 20 valve positions (code: MS) or for 4 to max. 20 valve positions (code: MF). Each valve position can either be equipped with a valve or a blanking plate.

A maximum of 20 solenoid coils can be actuated via the electrical multi-pin plug connection.

The electrical connection is located on the left-hand side. It can be rotated by 90°, thereby allowing flush mounting of the system.



- |   |  |   |   |
|---|--|---|---|
| 1 Cover for manual override (optional)                            | 4 Supply ports (1, 12/14), exhaust ports (3, 5, 82/84) and pressure compensating port (L) on the left-hand and right-hand side of the manifold block | 6 Multi-pin plug connection with connector for flat cable | 9 Manifold block for sub-base valves        |
| 2 Manual override (per solenoid coil, push-in/rotary-detenting)   | 5 Multi-pin plug connection Sub-D  | 7 Valve   | 10 Connectors, silencers and blanking plugs |
| 3 Working lines (2, 4) on the manifold block (per valve position) |  | 8 Cover for vacant position (blanking plate)              | 11 H-rail mounting                          |
|   |  |   | 12 Inscription labels                       |

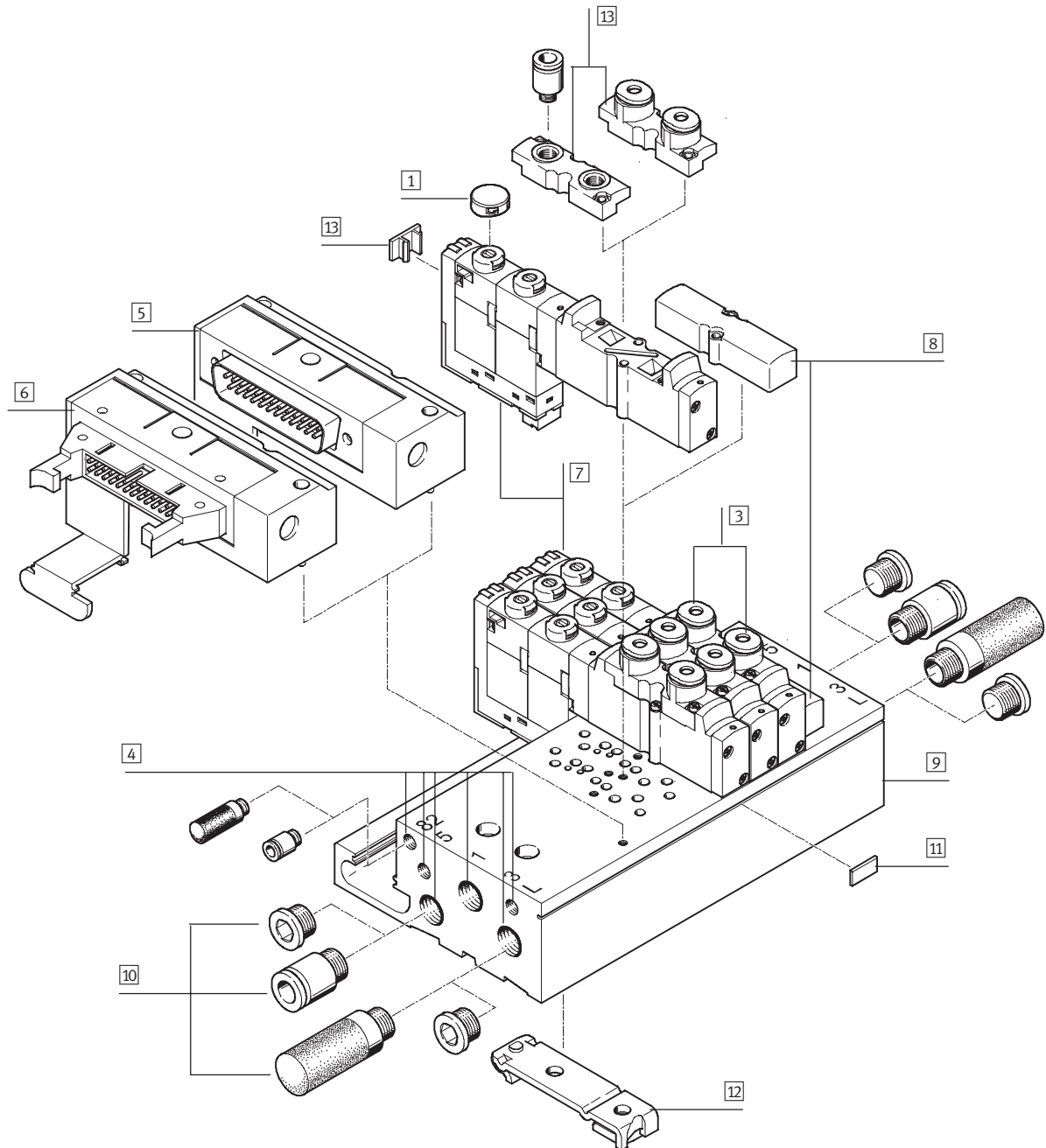
# Valve terminals type 82 CPA-SC, Smart Cubic

Peripherals overview

FESTO

## Overview – CPA-SC valve terminal with electrical multi-pin plug connection

Valve terminal with semi in-line valves



- |   |   |   |  |   |   |    |   |
|---|---|---|--|---|---|----|---|
| 1 | Cover for manual override (optional)                          | 4 | Supply ports (1, 12/14), exhaust ports (3, 5, 82/84) and pressure compensating port (L) on the left-hand and right-hand side of the manifold block | 6 | Multi-pin plug connection with connector for flat cable | 10 | Connectors, silencers and blanking plugs            |
| 2 | Manual override (per solenoid coil, push-in/rotary-detenting) | 5 | Multi-pin plug connection Sub-D  | 7 | Valve   | 11 | Inscription labels                                  |
| 3 | Working lines (2, 4) on the valve                             |   |  | 8 | Cover for vacant position (blanking plate)              | 12 | H-rail mounting                                     |
|   |   |   |  | 9 | Manifold block for semi in-line valves                  | 13 | Pneumatic connection plates for semi in-line valves |

# Valve terminals type 82 CPA-SC, Smart Cubic

Peripherals overview

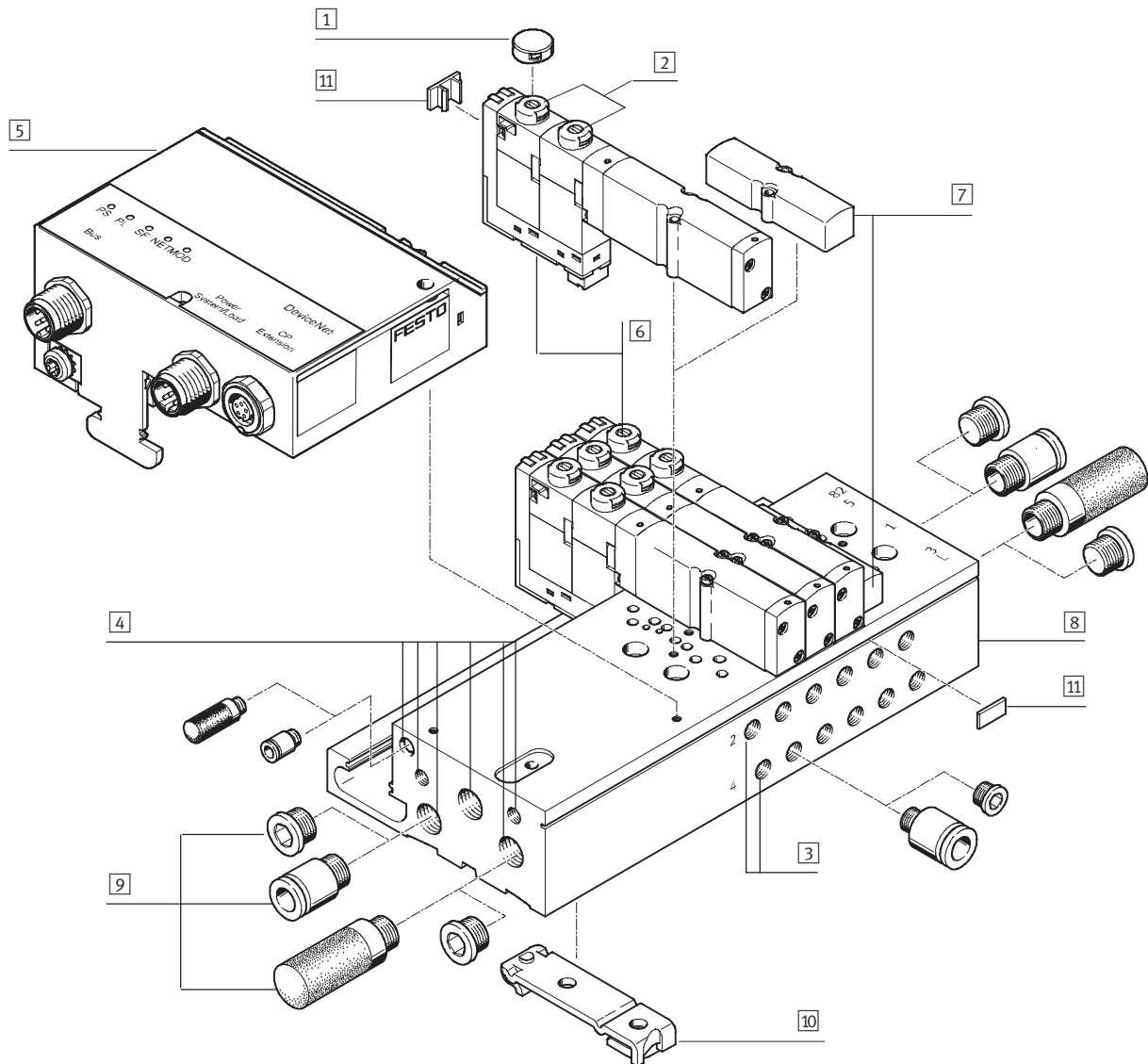
## Overview – CPA-SC valve terminal with Fieldbus Direct

Valve terminal with sub-base valves

Valve terminals with fieldbus connection are available in sizes for 4 to max. 24 valve positions.

Each valve position can either be equipped with a valve or a blanking plate.

A maximum of 32 solenoid coils can be actuated via the fieldbus connection.



- |   |  |  |  |
|---|--|--|--|
| <p>1 Cover for manual override (optional)</p> <p>2 Manual override (per solenoid coil, push-in/rotary-detenting)</p> <p>3 Working lines (2, 4) on the manifold block (per valve position)</p> | <p>4 Supply ports (1, 12/14), exhaust ports (3, 5, 82/84) and pressure compensating port (L) on the left-hand and right-hand side of the manifold block</p> <p>5 Fieldbus Direct</p> | <p>6 Valve</p> <p>7 Cover for vacant position (blanking plate)</p> <p>8 Manifold block for sub-base valves</p> | <p>9 Connectors, silencers and blanking plugs</p> <p>10 H-rail mounting</p> <p>11 Inscription labels</p> |
|---|--|--|--|

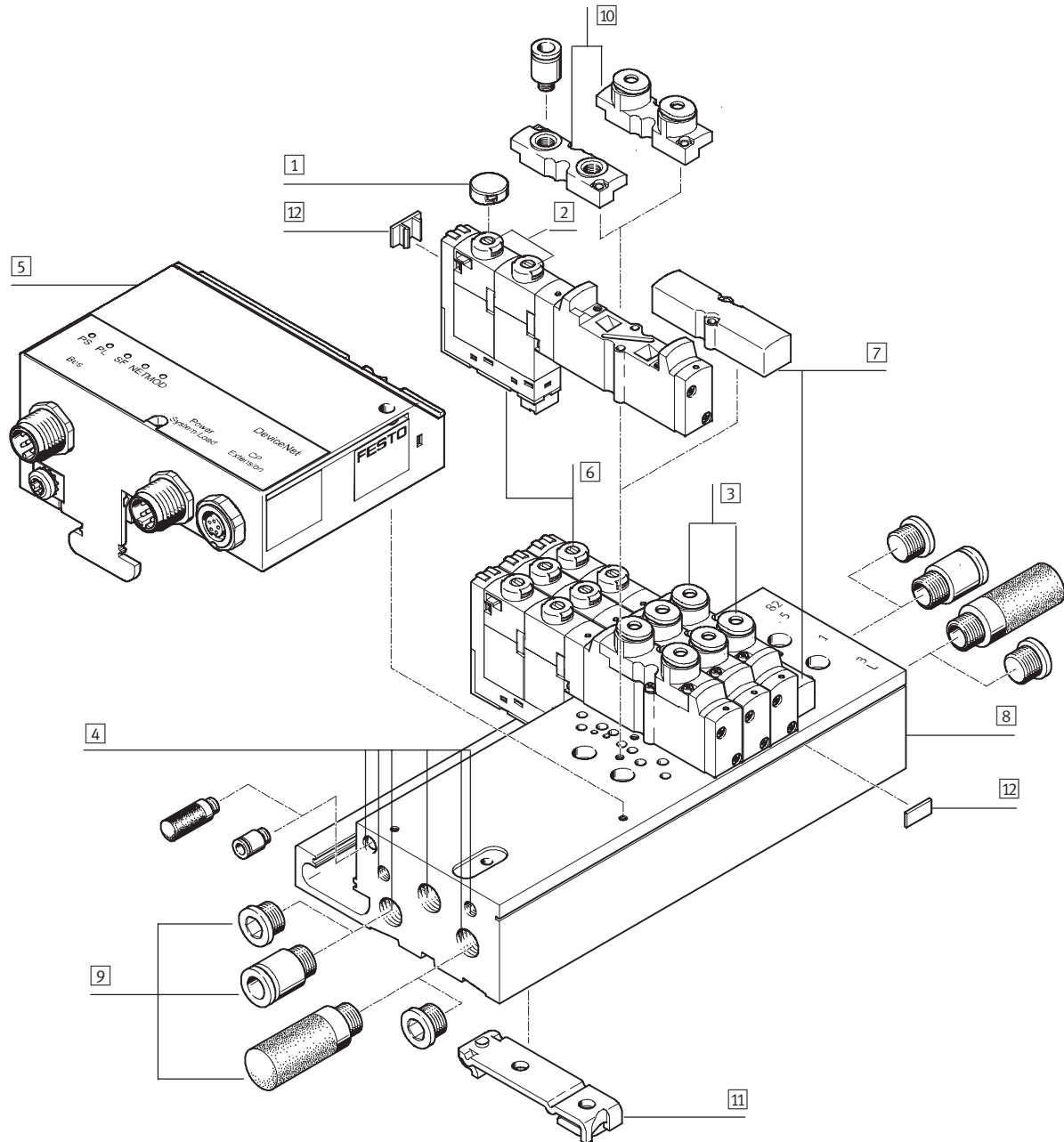
# Valve terminals type 82 CPA-SC, Smart Cubic

Peripherals overview

FESTO

## Overview – CPA-SC valve terminal with Fieldbus Direct

Valve terminal with semi in-line valves



- |   |  |  |  |
|---|--|--|--|
| <p>1 Cover for manual override (optional)</p> <p>2 Manual override (per solenoid coil, push-in/rotary-detenting)</p> <p>3 Working lines (2, 4) on the valve</p> | <p>4 Supply ports (1, 12/14), exhaust ports (3, 5, 82/84) and pressure compensating port (L) on the left-hand and right-hand side of the manifold block</p> <p>5 Fieldbus Direct</p> | <p>6 Valve</p> <p>7 Cover for vacant position (blanking plate)</p> <p>8 Manifold block for semi in-line valves</p> | <p>9 Connectors, silencers and blanking plugs</p> <p>10 Pneumatic connection plates for semi in-line valves</p> <p>11 H-rail mounting</p> <p>12 Inscription labels</p> |
|---|--|--|--|

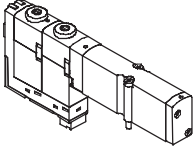
# Valve terminals type 82 CPA-SC, Smart Cubic

Key features – Pneumatic components

FESTO

## Valves

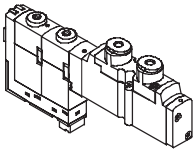
### Sub-base valve



Sub-base valves can be quickly replaced since the tubing connections remain on the manifold block.

This design is also particularly slim.

### Semi in-line valve (with working ports on the valve)



With semi in-line valves the pneumatic connections are on the top. This means that elbow connectors are not needed.

There are sub-base valves and semi in-line valves with one solenoid coil (single solenoid) or with two solenoid coils (double solenoid) irrespective of the valve function.

### Blanking plate

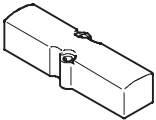
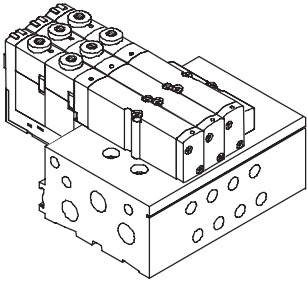
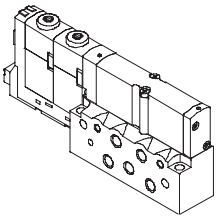
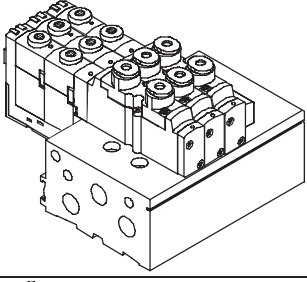
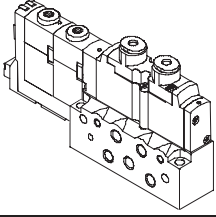


Plate without valve function for reserving valve positions on a valve terminal.

Valve sub-bases and blanking plates are attached to the manifold block using two screws.

# Valve terminals type 82 CPA-SC, Smart Cubic

Key features – Pneumatic components

Manifold blocks		
Manifold block	Number of valve positions	Manifold block connections
Code A – Working ports (2, 4) on the manifold block		
Manifold block for sub-base valves and blanking plates 	2 ... 20	<ul style="list-style-type: none"> <li>• With working ports (2, 4), M5 threaded hole</li> <li>• With ports for supply air (1, 12/14) and exhaust air (3, 5, 82/84)</li> <li>• With pressure compensating port (L)</li> </ul>
Individual sub-base for sub-base valve 	1	
Code P – Working ports (2, 4) on the valve		
Manifold block for semi in-line valves and blanking plates 	2 ... 20	<ul style="list-style-type: none"> <li>• Without working ports</li> <li>• With ports for supply air (1, 12/14) and exhaust air (3, 5, 82/84)</li> <li>• With pressure compensating port (L)</li> </ul>
Individual sub-base for semi in-line valve 	1	

 Note

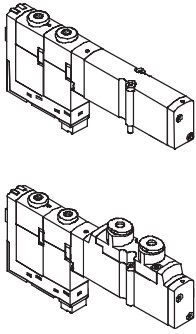
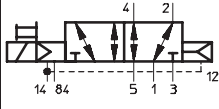
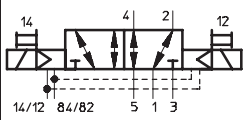
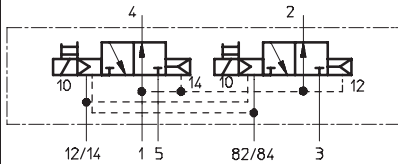
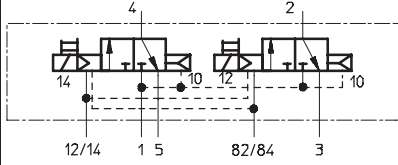
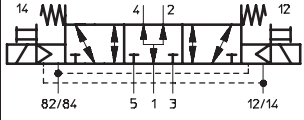
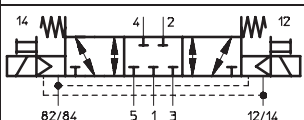
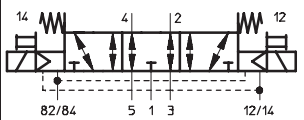
Semi in-line valves can also be mounted on manifold blocks for sub-base valves. In this case the corresponding working ports on the manifold block must be sealed using blanking plugs.

The working air supply and exhaust air outlet for the valve terminal can either be on the left-hand side or the right-hand side of the valve terminal. Supply at both sides is also possible. Ports that are not required must be sealed with a blanking plug.

An individual sub-base is the ideal solution in cramped space conditions. All available valve types can be used.

# Valve terminals type 82 CPA-SC, Smart Cubic

Key features – Pneumatic components

Valves				
	Code	Circuit symbol	Size 10	Description
	M		■	5/2-way valve, single solenoid • Pneumatic spring return
	J		■	5/2-way valve, double solenoid
	N		■	2x 3/2-way valve, single solenoid • Normally open • Pneumatic spring return
	K		■	2x 3/2-way valve, single solenoid • Normally closed • Pneumatic spring return
	B		■	5/3-way valve • Mid-position pressurised <sup>1)</sup> • Mechanical spring return The piston rod of a connected cylinder advances when the valve is in the normal position due to the differential piston areas.
	G		■	5/3-way valve • Mid-position closed <sup>1)</sup> • Mechanical spring return The piston rod side of a connected cylinder remains held under pressure when the valve is in the normal position.
	E		■	5/3-way valve • Mid-position exhausted <sup>1)</sup> • Mechanical spring return The piston rod of a connected cylinder remains freely movable when the valve is in the normal position.

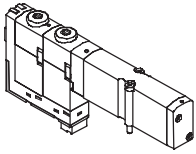
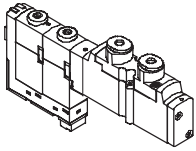
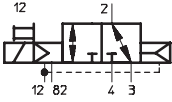
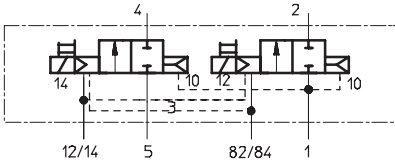
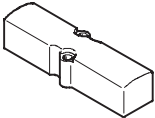
1) If neither solenoid coil is being supplied with power, the valve assumes its mid-position by means of spring force.  
If both coils are being supplied with power simultaneously, the valve remains in the switching position previously assumed.




# Valve terminals type 82 CPA-SC, Smart Cubic

Key features – Pneumatic components



Valves				
	Code	Circuit symbol	Size 10	Description
 	X		■	1x 3/2-way valve <ul style="list-style-type: none"> <li>• Normally closed</li> <li>• External compressed air supply</li> <li>• Pneumatic spring return</li> </ul> Compressed air (-0.9 ... +10 bar) supplied at working port 4 can be switched.
	I		■	2x 2/2-way valve <ul style="list-style-type: none"> <li>• Normally closed</li> <li>• Normally closed, reversible</li> <li>• Pneumatic spring return                             <ul style="list-style-type: none"> <li>- The vacuum is connected at port 5</li> <li>- Port 14 switches the vacuum</li> <li>- Port 12 switches the ejector pulse</li> <li>- An external T-connection must be established between port 2, 4 and the vacuum generator</li> </ul> </li> </ul>
	L		■	Blanking plate for vacant position For valve terminal only

 - Note  
 For vacuum operation valves require a filter. This is to avoid that foreign matter is drawn into the valve (e.g. when using a suction cup).

# Valve terminals type 82 CPA-SC, Smart Cubic

Key features – Pneumatic components

## Constructional design

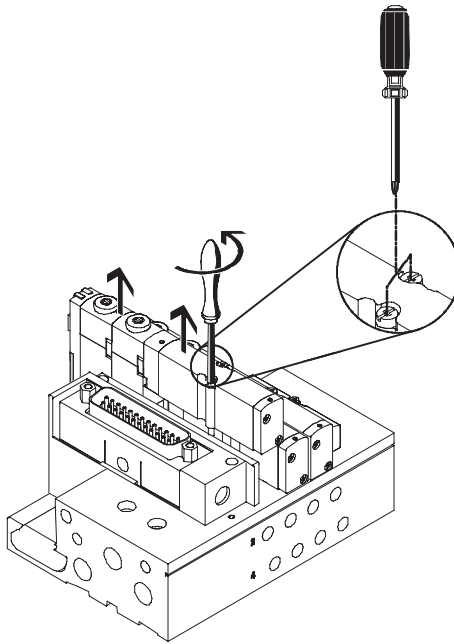
### Valve replacement


The valves are attached to the metal manifold block using two screws. This means that they can be easily replaced. The mechanical robustness of the manifold block guarantees good long-term sealing tightness.

### Expansion

Vacant positions can be replaced by valves at a later date. The dimensions, mounting points and existing pneumatic installations remain unchanged by this.

The valve code (M, J, N, K, B, G, E, X, I) is located on the front of the valve beneath the manual override.



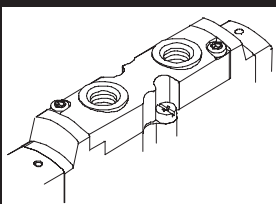
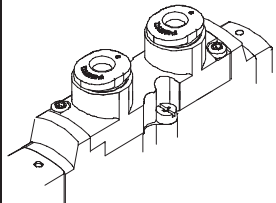
-  - Note

### Plug-in versions

If a vacant position is replaced by a valve, a plug-in socket must also be ordered and inserted into the slot.

When ordering a HC terminal, you must determine the number and length of connecting cable you need and specify them in the order code.

## Working port

	Code	Description
	B	M5 threaded connection
	E	QS-3 push-in connector
	F	QS-4 push-in connector

# Valve terminals type 82 CPA-SC, Smart Cubic

Key features – Pneumatic components

## Pneumatic connection

### Supply and exhaust

The valves are supplied with compressed air via various valve terminal manifold blocks or individual blocks.

These contain common lines for compressed air supply, exhaust and pilot exhaust for all valves.

The common lines on a CPA-SC valve terminal can be connected

- at the left (code L)
- at the right (code R) or
- at both ends (code B)

## Pilot air supply

The CPA-SC valve terminal is suitable for internal or external pilot air. Graphs → 31

### Internal pilot air supply

If supply pressure for the CPA-SC valve is within a range of 3 to 8 bar, it can be operated with internally distributed pilot air. The pilot air supply in the

left-hand end plate (electrical multi-pin plug connection and Fieldbus Direct) or in the right-hand end plate (individual electrical connection) is branched off from port 1 in this case.

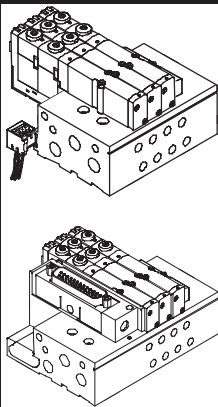
### External pilot air supply

If supply pressure for the CPA-SC valve terminal is within a range of -0.9 to +10 bar, it must be operated with external pilot air supply. The pilot air is supplied via port 12/14 in this case.

## Pneumatic supply

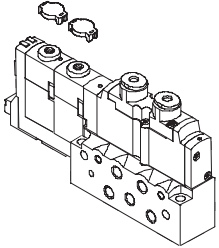
With CPA-SC valve terminal


Code	Port	Connections for supply and exhaust			
		Designation	Code H QS connection metric, 8 mm Type	Code D Threaded connection G1/8 Type	
<b>Compressed air supplied by means of internal pilot air supply, exhausting via silencer</b>					
S	1	Working air/vacuum supply	Push-in fitting	QS-G1/8-8-I	-
	3/5	Exhaust air	Silencer	UC-1/8	-
	12/14	Pilot air supply	-	-	-
	82/84	Pilot exhaust air	Silencer	UC-M5	-
	L	Pressure relieving port	Silencer	UC-M5	-
<b>Compressed air supplied via external pilot air supply, exhausting via silencer</b>					
T	1	Working air/vacuum supply	Push-in fitting	QS-G1/8-8-I	-
	3/5	Exhaust air	Silencer	UC-1/8	-
	12/14	Pilot air supply	Push-in fitting	QSM-M5-4-I	-
	82/84	Pilot exhaust air	Silencer	UC-M5	-
	L	Pressure relieving port	Silencer	UC-M5	-
<b>Compressed air supplied by means of internal pilot air supply, ducted exhaust</b>					
V	1	Working air/vacuum supply	Push-in fitting	QS-G1/8-8-I	-
	3/5	Exhaust air	Push-in fitting	QS-G1/8-8-I	-
	12/14	Pilot air supply	-	-	-
	82/84	Pilot exhaust air	Push-in fitting	QSM-M5-4-I	-
	L	Pressure relieving port	Silencer	UC-M5	-
<b>Compressed air supplied via external pilot air supply, ducted exhaust</b>					
X	1	Working air/vacuum supply	Push-in fitting	QS-G1/8-8-I	-
	3/5	Exhaust air	Push-in fitting	QS-G1/8-8-I	-
	12/14	Pilot air supply	Push-in fitting	QSM-M5-4-I	-
	82/84	Pilot exhaust air	Push-in fitting	QSM-M5-4-I	-
	L	Pressure relieving port	Silencer	UC-M5	-



# Valve terminals type 82 CPA-SC, Smart Cubic

Key features – Pneumatic components

Pneumatic supply						
With CPA-SC individual block	Code	Port	Connections for supply and exhaust			
			Designation	Code B Threaded connection M5 Type	Code F Push-in connector QS4 Type	
	Compressed air supplied by means of internal pilot air supply, exhausting via silencer					
	S	1	Working air/vacuum supply	Push-in fitting	–	QSM-M5-4-I
		3/5	Exhaust air	Silencer	–	UC-M5
		12/14	Pilot air supply	–	–	–
		82/84	Pilot exhaust air	Silencer	–	U-M3
		L	Pressure relieving port	Silencer	–	U-M3
	Compressed air supplied via external pilot air supply, exhausting via silencer					
	T	1	Working air/vacuum supply	Push-in fitting	–	QSM-M5-4-I
		3/5	Exhaust air	Silencer	–	UC-M5
		12/14	Pilot air supply	Push-in fitting	–	QSM-M3-3-I
		82/84	Pilot exhaust air	Silencer	–	U-M3
		L	Pressure relieving port	Silencer	–	U-M3
	Compressed air supplied by means of internal pilot air supply, ducted exhaust					
	V	1	Working air/vacuum supply	Push-in fitting	–	QSM-M5-4-I
		3/5	Exhaust air	Push-in fitting	–	QSM-M5-4-I
		12/14	Pilot air supply	–	–	–
		82/84	Pilot exhaust air	Push-in fitting	–	QSM-M3-3-I
		L	Pressure relieving port	Silencer	–	U-M3
	Compressed air supplied via external pilot air supply, ducted exhaust					
	X	1	Working air/vacuum supply	Push-in fitting	–	QSM-M5-4-I
3/5		Exhaust air	Push-in fitting	–	QSM-M5-4-I	
12/14		Pilot air supply	Push-in fitting	–	QSM-M3-3-I	
82/84		Pilot exhaust air	Push-in fitting	–	QSM-M3-3-I	
L		Pressure relieving port	Silencer	–	U-M3	

-  - Note

The port L compensates the pressure between moving parts inside the valve and the surrounding environment.

A silencer protects against contamination.  
The port L must not be sealed by blanking plugs at both ends.

# Valve terminals type 82 CPA-SC, Smart Cubic

Key features – Pneumatic components

## Instructions for using pressure zones

The CPA-SC valve terminal can be operated with a maximum of 2 pressure zones, supplied either from the left or from the right.

Pressure zones are created by means of separators that can be used in the following ducts:

- Supply duct 1 (code T) and exhaust duct 3 (code V) or
- exhaust duct 5 (code W) or exhaust duct 3 and 5 (code R)

## Pilot air supply

The Pilot air supply is branched off from port 1 in the left-hand end plate (electrical multi-pin plug connection and Fieldbus Direct) or in the right-hand end plate (individual electrical connection).

Internal pilot air supply is only possible at an operating pressure within a range of 3 to 8 bar.

It must therefore be noted in connection with pressure zone separation

that the valve terminal is supplied with internal pilot air supply via the left-hand side when using a multi-pin plug connection and Fieldbus Direct and via the right-hand side when

using an individual electrical connection. This means that the operating pressure at this port must be within a range of 3 to 8 bar.

### Note

The addition of a separator element results in the following valve sub-bases being supplied with less working air:

- Valve sub-base at the valve position in which the locating pin is inserted
- Valve sub-bases at the two adjacent valve positions

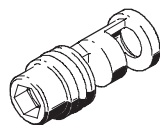
## Creation of pressure zones and duct separation

	Code	Description
	T	Duct 1 closed
	V W R	Duct 3 closed Duct 5 closed Duct 3/5 closed

### Note

The separator element can also be mounted subsequently using an Allen key. An assembly tool for long terminals is available as an accessory.

Separator CPASC-KT



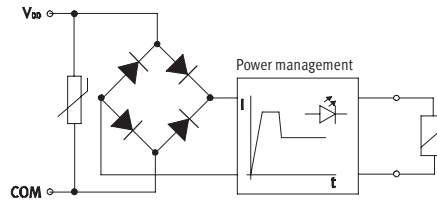
# Valve terminals type 82 CPA-SC, Smart Cubic

Key features – Electrical components

## Electrical power as a result of current reduction

Each valve solenoid coil is protected with a spark arresting protective circuit as well as against polarity reversal.

All valve types are additionally equipped with integrated current reduction.



## Individual electrical connection

With an individual electrical connection, the plug is connected directly to the valve.

Two types of individual electrical connection are available for the valve terminal and for the individual sub-base:

- Horizontal connection (HC) or
- Plug-in (PI)

**Note**

Connecting cables with 2- or 3-wires are available for single solenoid valves with one solenoid coil or double solenoid valves with two solenoid coils.

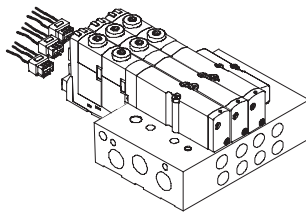
## Individual electrical connection – Horizontal connection (HC)

Valve on manifold block

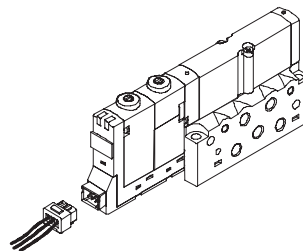
Code IH

Valve on individual block

Code SH



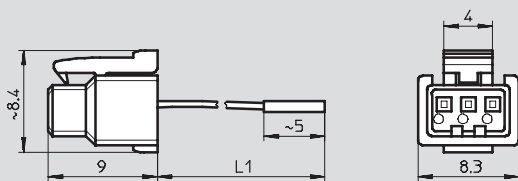
The valve terminal can be configured with 2 to max. 16 valve positions. This means that max. 32 solenoid coils can be actuated with this type of electrical connection. The horizontal connection (HC) must be removed when replacing the valve.



With the individual sub-base, the electrical connection is also plugged in directly on the valve.

## Dimensions – Horizontal connection (HC)

Download CAD data → [www.festo.com](http://www.festo.com)



Type	Code	L1 Cable length [m]	Number of solenoid coils	Cable colour		
				Pin 1 Common	Pin 2 Solenoid coil 12	Pin 3 Solenoid coil 14
KMH-0,5	CH	0.5	1 coil	Black	–	Red
KMH-1	CI	1	1 coil	Black	–	Red
KMH-2,5	CJ	2.5	1 coil	Black	–	Red
KMH-5	CK	5	1 coil	Black	–	Red
KMH-D-0,5	CD	0.5	2 coils	Black	Blue	Red
KMH-D-1	CE	1	2 coils	Black	Blue	Red
KMH-D-2,5	CF	2.5	2 coils	Black	Blue	Red
KMH-D-5	CG	5	2 coils	Black	Blue	Red

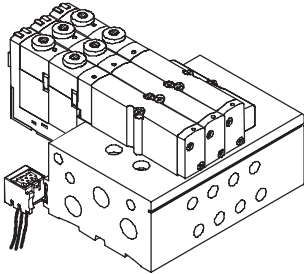
# Valve terminals type 82 CPA-SC, Smart Cubic

Key features – Electrical components

## Individual electrical connection – Plug-in (PI)

Valve on manifold block

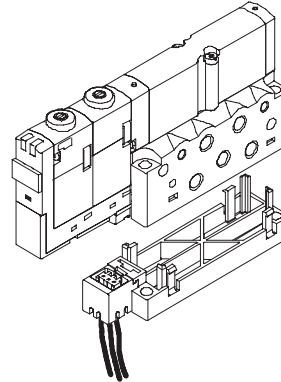
Code IP, IQ



The valve terminal can be configured with 2 to max. 16 valve positions. This means that max. 32 solenoid coils can be actuated with this type of electrical connection. The connector plug is inserted into the slot on the manifold block. To replace a valve or extend the terminal (vacant position), all you need do is loosen two screws; the connector plug remains in the slot.

Valve on individual block

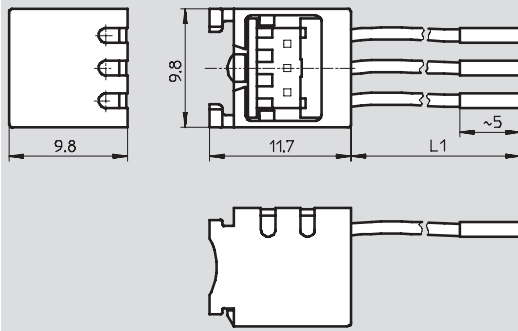
Code SP, SQ



With this electrical connection variant, the connector plug is mounted on an adapter. This adapter is then attached to the manifold block.

## Dimensions – Plug-in (PI) connection

Download CAD data → [www.festo.com](http://www.festo.com)



Type	Code	L1 Cable length [m]	Number of solenoid coils	Cable colour		
				Pin 1 Common	Pin 2 Solenoid coil 12	Pin 3 Solenoid coil 14
MHAP-PI	–	0.5	1 coil	Black	–	Red
MHAP-PI-1	–	1	1 coil	Black	–	Red
MHAP-PI-D-0,5	–	0.5	2 coils	Black	Blue	Red
MHAP-PI-D-1	–	1	2 coils	Black	Blue	Red

# Valve terminals type 82 CPA-SC, Smart Cubic

Key features – Electrical components

## Electrical multi-pin plug connection

The following multi-pin plug connection types are offered for the valve terminal CPA-SC:

- Sub-D multi-pin plug connection (25-pin) or
- Multi-pin plug connection with connector for flat cable (26-pin)

Pins 1 ... 20 are used for coils 1 ... 20 in order. If there are fewer than 20 coils on the valve terminal, the remaining pins up to 20 are left free. Pins 21 and above are reserved for neutral conductors. Four solenoid coils are always combined on one neutral conductor. This means that individual valve groups can be switched off separately or a mixture of negative- and positive-switching valves achieved.

Each pin on the multi-pin plug can activate only one valve solenoid coil. If the maximum configurable number of valve positions is 20, this means that 20 valves each with a single solenoid can be addressed. With 10 or less valve positions, 2 solenoid coils per valve can be addressed. With 12 or more valve positions, the number of available valve positions for valves with two solenoid coils decreases (➔ table below).

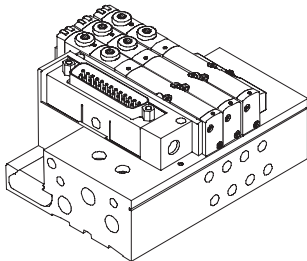
### Example:

With 16 valve positions, valves with one or two solenoid coils can be actuated on the first four (0 ... 3) positions. Valves with just one solenoid coil are permissible at positions 4 ... 15.

Address/ solenoid coil	Number of the valve position																			
	0	1	2	3	4	5	6	7	8	9	10	11	12	13	14	15	16	17	18	19
20	1	1	1	1	1	1	1	1	1	1	1	1	1	1	1	1	1	1	1	1
20	2	2	2	2	1	1	1	1	1	1	1	1	1	1	1	1				
20	2	2	2	2	2	2	2	2	1	1	1	1								
20	2	2	2	2	2	2	2	2	2	2										
16	2	2	2	2	2	2	2	2												
12	2	2	2	2	2	2														
8	2	2	2	2																

## Electrical multi-pin plug connection – Sub-D

Code MS



With this electrical connection variant, all valves are centrally actuated via the 25-pin connector plug. The electrical connection is located on the left-hand side and can be repositioned by 90°.

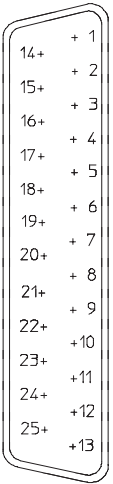


# Valve terminals type 82 CPA-SC, Smart Cubic

Key features – Electrical components



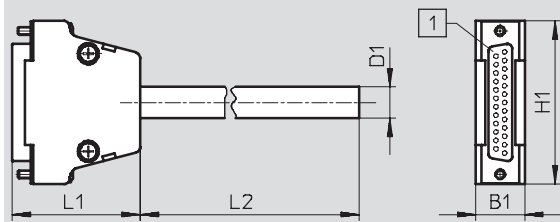
Pin allocation – Connector for Sub-D, 25-pin cable												
Pin	Address/ solenoid coil	Core colour <sup>2)</sup>		Valve positions <sup>1)</sup>								
		KMP6-25P-1 2-...	KMP6-25P-2 0-...	2	4	6	8	10	12	16	20	
				Valve position no./coil designation								
1	0	WH	WH	0/14	0/14	0/14	0/14	0/14	0/14	0/14	0/14	0/14
2	1	BN	BN	0/12	0/12	0/12	0/12	0/12	0/12	0/12	0/12	1/14
3	2	GN	GN	1/14	1/14	1/14	1/14	1/14	1/14	1/14	1/14	2/14
4	3	YE	YE	1/12	1/12	1/12	1/12	1/12	1/12	1/12	1/12	3/14
5	4	GY	GY		2/14	2/14	2/14	2/14	2/14	2/14	2/14	4/14
6	5	PK	PK		2/12	2/12	2/12	2/12	2/12	2/12	2/12	5/14
7	6	BU	BU		3/14	3/14	3/14	3/14	3/14	3/14	3/14	6/14
8	7	RD	RD		3/12	3/12	3/12	3/12	3/12	3/12	3/12	7/14
9	8	BK	BK			4/14	4/14	4/14	4/14	4/14	4/14	8/14
10	9	VT	VT			4/12	4/12	4/12	4/12	4/12	5/14	9/14
11	10	GY PK	GY PK			5/14	5/14	5/14	5/14	5/14	6/14	10/14
12	11	RD BU	RD BU			5/12	5/12	5/12	5/12	5/12	7/14	11/14
13	12	-	WH GN					6/14	6/14	6/14	8/14	12/14
14	13	-	BN GN					6/12	6/12	6/12	9/14	13/14
15	14	-	WH YE					7/14	7/14	7/14	10/14	14/14
16	15	-	YE BN					7/12	7/12	7/12	11/14	15/14
17	16	-	WH GY					8/14	8/14	8/14	12/14	16/14
18	17	-	GY BN					8/12	9/14	9/14	13/14	17/14
19	18	-	WH PK					9/14	10/14	10/14	14/14	18/14
20	19	-	PK BN					9/12	11/14	11/14	15/14	19/14
21	com	-	WH BU	Coil 16 ... 19								
22	com	-	BN BU	Coil 12 ... 15								
23	com	WH GN	WH RD	Coil 8 ... 11								
24	com	BN GN	BN RD	Coil 4 ... 7								
25	com	WH YE	WH BK	Coil 0 ... 3								
Number of solenoid coils				4	8	12	16	20	20	20	20	20



- 1) Valve positions for actuation of 2 coils are shown against a grey background
- 2) To IEC 757

## Dimensions – Sub-D plug with cable

Download CAD data → [www.festo.com](http://www.festo.com)



1) 25-pin plug

Type	Code	B1 [mm]	D1 [mm]	H1 [mm]	L1 [mm]	L2 [m]
KMP6-25P-20-2,5	CP	16	10.3	53.4	37.7	2.5
KMP6-25P-20-5	CQ	16	10.3	53.4	37.7	5
KMP6-25P-20-10	CR	16	10.3	53.4	37.7	10
KMP6-25P-12-2,5	CV	16	8.5	53.4	37.7	2.5
KMP6-25P-12-5	CW	16	8.5	53.4	37.7	5
KMP6-25P-12-10	CX	16	8.5	53.4	37.7	10

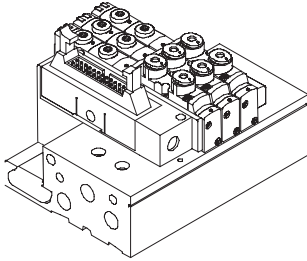
# Valve terminals type 82 CPA-SC, Smart Cubic

Key features – Electrical components



## Electrical multi-pin plug connection – Connector for flat cable

Code MF



With this electrical connection variant, all valves are centrally actuated via the 26-pin connector plug.

The electrical connection is located on the left-hand side and can be re-positioned by 90°.

This connection is intended for flat cables to DIN EN 60603-13, cable cross section AWG26.

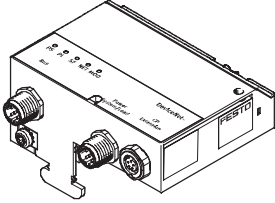
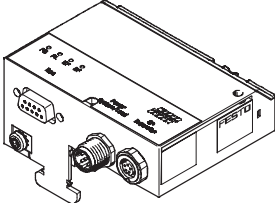
## Pin allocation – Connector for flat cable

	Pin	Address/ solenoid coil	Valve positions <sup>1)</sup>						
			4	6	8	10	12	16	20
			Valve position no./coil designation						
	1	0	0/14	0/14	0/14	0/14	0/14	0/14	0/14
	2	1	0/12	0/12	0/12	0/12	0/12	0/12	1/14
	3	2	1/14	1/14	1/14	1/14	1/14	1/14	2/14
	4	3	1/12	1/12	1/12	1/12	1/12	1/12	3/14
	5	4	2/14	2/14	2/14	2/14	2/14	2/14	4/14
	6	5	2/12	2/12	2/12	2/12	2/12	2/12	5/14
	7	6	3/14	3/14	3/14	3/14	3/14	3/14	6/14
	8	7	3/12	3/12	3/12	3/12	3/12	3/12	7/14
	9	8		4/14	4/14	4/14	4/14	4/14	8/14
	10	9		4/12	4/12	4/12	4/12	5/14	9/14
	11	10		5/14	5/14	5/14	5/14	6/14	10/14
	12	11		5/12	5/12	5/12	5/12	7/14	11/14
	13	12			6/14	6/14	6/14	8/14	12/14
	14	13			6/12	6/12	6/12	9/14	13/14
	15	14			7/14	7/14	7/14	10/14	14/14
	16	15			7/12	7/12	7/12	11/14	15/14
	17	16				8/14	8/14	12/14	16/14
	18	17				8/12	9/14	13/14	17/14
	19	18				9/14	10/14	14/14	18/14
	20	19				9/12	11/14	15/14	19/14
21 (free)	–	–	–						
22	com	Coil 16 ... 19							
23	com	Coil 12 ... 15							
24	com	Coil 8 ... 11							
25	com	Coil 4 ... 7							
26	com	Coil 0 ... 3							
Number of solenoid coils			8	12	16	20	20	20	20

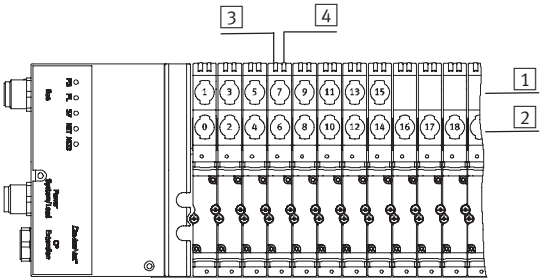
1) Valve positions for actuation of 2 coils are shown against a grey background

# Valve terminals type 82 CPA-SC, Smart Cubic

Key features – Electrical components

Fieldbus Direct		
DeviceNet	Profibus DP	Properties
		<p>Fieldbus Direct is a system for the compact connection of a valve terminal of various sizes to different fieldbus standards.</p> <p>The CP string extension option allows the functions and components of the CPI installation system to be used.</p>
		<p>The I/O modules and cables for the CP string extension are ordered using the order code for the CPI installation system.</p> <p>➔ Internet: ctec</p>

**Address allocation – Solenoid coils**



1	Solenoid coils 12	<p>The addresses of the valve solenoids on the CPASC-DN/CPASC-DP are allocated from left to right, while the addresses of the individual valve positions are allocated from front to back.</p> <p><b>Example:</b> Valve terminal where the first 8 valve positions are prepared for 2 solenoids each.</p>
2	Solenoid coils 14	
3	LED solenoid coil 12	
4	LED solenoid coil 14	

Each valve position can actuate one or two solenoid coils depending on the configuration (number of valve positions and internal wiring). It then occupies one or two addresses. The internal wiring cannot be changed subsequently.

The number of addresses each valve position occupies has nothing to do with what is actually mounted on the valve position (valve, blanking plate).

If a valve position for 2 addresses is actually equipped with two solenoid coils, the following allocation applies:

- Solenoid coil 14 occupies the less significant address
- Solenoid coil 12 occupies the more significant address

If a valve position for 2 addresses is equipped with only one solenoid coil, the more significant address remains unused. The valve position occupies two addresses nonetheless.

Address/ solenoid coil	Number of the valve position																							
	0	1	2	3	4	5	6	7	8	9	10	11	12	13	14	15	16	17	18	19	20	21	22	23
32	2	2	2	2	2	2	2	2	1	1	1	1	1	1	1	1	1	1	1	1	1	1	1	1
32	2	2	2	2	2	2	2	2	2	2	2	2	1	1	1	1	1	1	1	1	-	-	-	-
32	2	2	2	2	2	2	2	2	2	2	2	2	2	2	2	2	-	-	-	-	-	-	-	-
24	2	2	2	2	2	2	2	2	2	2	2	2	-	-	-	-	-	-	-	-	-	-	-	-
20	2	2	2	2	2	2	2	2	2	2	-	-	-	-	-	-	-	-	-	-	-	-	-	-
16	2	2	2	2	2	2	2	2	-	-	-	-	-	-	-	-	-	-	-	-	-	-	-	-
12	2	2	2	2	2	2	-	-	-	-	-	-	-	-	-	-	-	-	-	-	-	-	-	-
8	2	2	2	2	-	-	-	-	-	-	-	-	-	-	-	-	-	-	-	-	-	-	-	-

# Valve terminals type 82 CPA-SC, Smart Cubic

Key features – Display and operation

## Display and operation – Multi-pin plug and individual valve connection

Each valve solenoid coil is allocated an LED which indicates its operating status. Inscription labels (type IBS-6x10) can be applied to each valve for labelling purposes. Alternatively inscription labels (type MH-BZ-80x) can also be affixed to the slot in the manifold block.

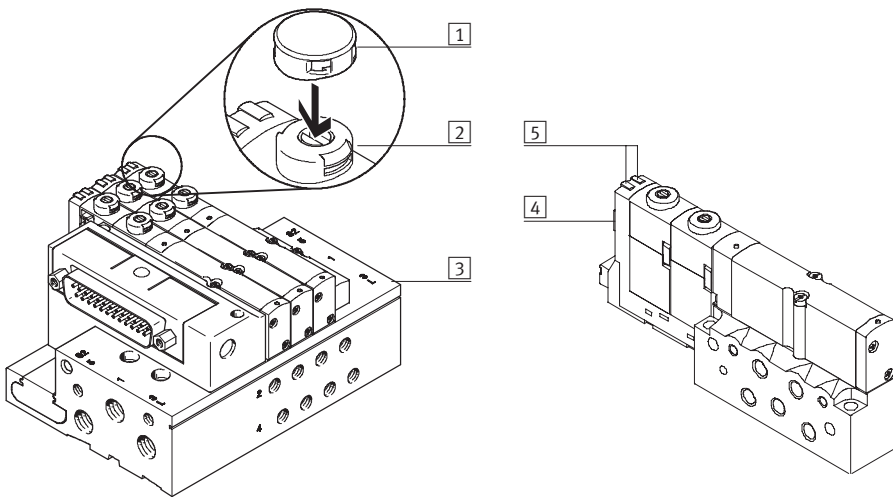
The manual override (MO) allows the valve to be activated without electronic control or power supply. The valve is activated by pushing the manual override. The set switching status can also be secured by turning the manual override.

A cover can be fitted over the manual override to prevent it from being actuated accidentally (code V).



Note

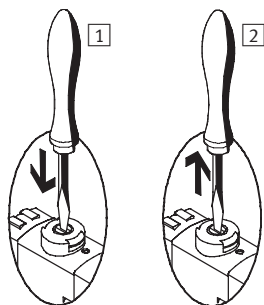
A manually activated valve (manual override) cannot be reset electrically. Conversely, an electrically activated valve cannot be reset using the manual override facility.



- 1 Cover for manual override (code V or accessory CPASC-MO-V)
- 2 Optional manual override (pushing and detenting via turning using a screwdriver)
- 3 Slot for inscription labels type MH-BZ-80x
- 4 Location for valve inscription label type IBS-6x10
- 5 LED signal status display per solenoid coil

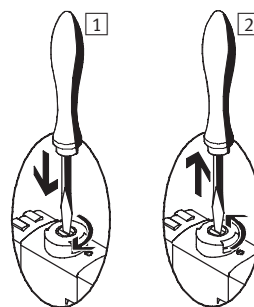
## Manual override (MO)

### Manual override with automatic return (non-detenting)



- 1 Press in the stem of the MO with a screwdriver.  
→ Valve is in switching position
- 2 Remove the screwdriver.  
Spring force pushes the stem of the MO back.  
→ Valve returns to initial position (not with double solenoid valve code!).

### MO with detent (turning with detent)



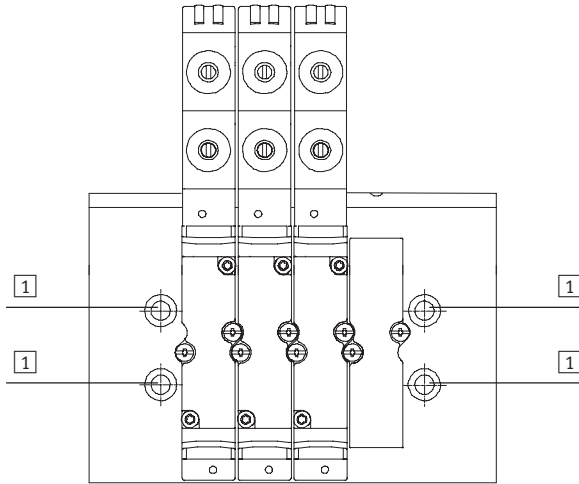
- 1 Press in the stem of the MO with a screwdriver until the valve switches and then turn the stem clockwise by 90° until the stop is reached.  
→ Valve remains in switching position
- 2 Turn the stem anti-clockwise by 90° until the stop is reached and then remove the screwdriver. Spring force pushes the stem of the MO back.  
→ Valve returns to initial position (not with double solenoid valve code!).

# Valve terminals type 82 CPA-SC, Smart Cubic

Key features – Mounting types

## Mounting – Valve terminal

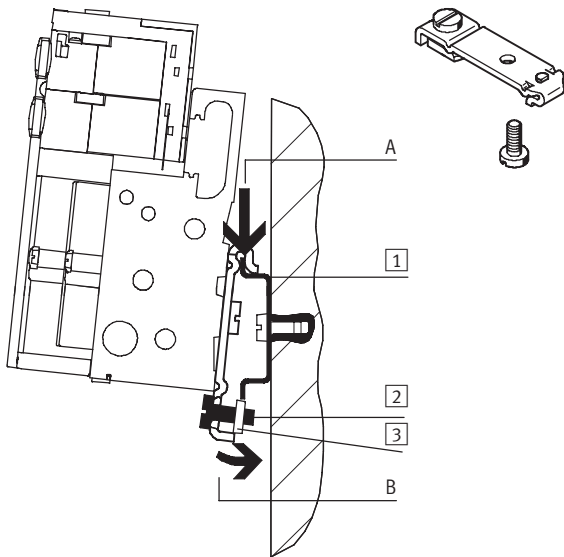
### Wall mounting



The CPA-SC valve terminal is screwed onto the mounting surface using four M4 screws.

- 1 Holes for wall mounting

### H-rail mounting



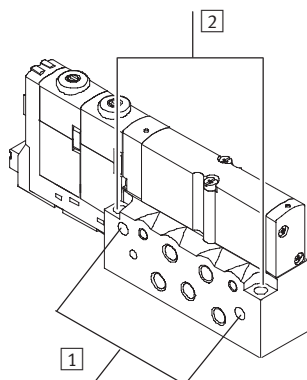
The CPA-SC valve terminal is attached to the H-rail (see arrow A). The CPA-SC valve terminal is then swivelled on the H-rail and secured in place with the clamping component (see arrow B).

For H-rail mounting of the CPA valve terminal, you will need the mounting kit CPA-BG-NRH. This enables the valve terminal to be mounted on a H-rail to EN 60715.

- 1 H-rail
- 2 Self-tapping M4x10 screw of the H-rail clamping unit
- 3 Clamping component of the H-rail clamping unit

## Mounting – Individual sub-base

### Wall mounting




The individual sub-base for wall mounting is designed for integration into a system or machine.

Mounting holes

- 1 Horizontal mounting
- 2 Vertical mounting

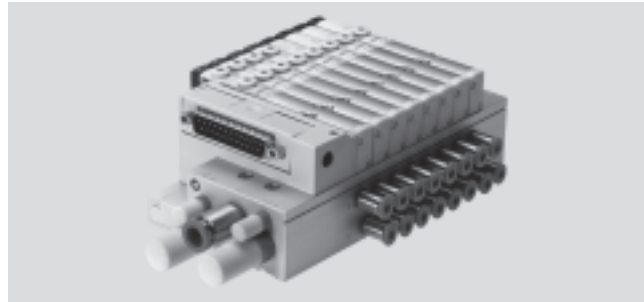
# Valve terminals type 82 CPA-SC, Smart Cubic

Technical data

-  - Flow rate  
150 l/min

-  - Width  
10 mm

-  - Voltage  
24 V DC



General technical data									
Valve	5/2-way valve		2x 3/2-way valve		5/3-way valve			1x 3/2-way valve	2x 2/2-way valve
	Single solenoid	Double solenoid	Normally open	Normally closed	Mid-position			Normally closed	Normally closed
Valve function ordering code	M	J	N	K	B	G	E	X	I
Design	Electromagnetically actuated piston spool valve								
Width [mm]	10								
Nominal diameter [mm]	2.5								
Lubrication	Lubricated for life, PWIS-free (free of paint-wetting impairment substances)								
Type of mounting	Wall mounting On H-rail to EN 60715								
Assembly position	Any								
Manual override	Pushing/detented by turning								
Pneumatic connections									
Pneumatic connection	Via manifold block, PRS manifold or individual connection								
Supply port 1	G $\frac{3}{8}$ (M5 with individual block)								
Exhaust port 3/5	G $\frac{3}{8}$ (M5 with individual block)								
Working lines 2/4	Depending on the connection type selected <ul style="list-style-type: none"> <li>• M5</li> <li>• QS-3</li> <li>• QS-4</li> </ul>								
Pilot air port 12/14	M5 (M3 with individual block)								
Pilot exhaust air port 82/84	M5 (M3 with individual block)								
Pressure compensating port L	M5, M3								

# Valve terminals type 82 CPA-SC, Smart Cubic

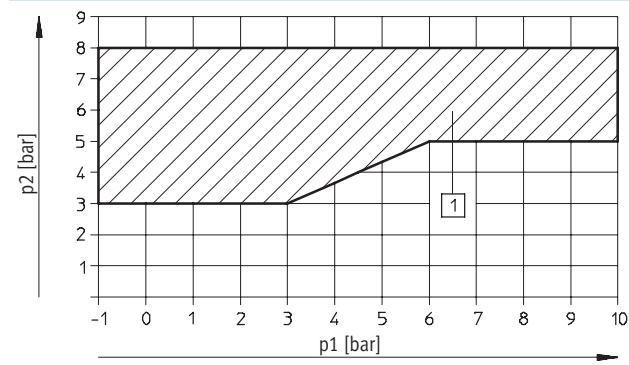
Technical data

Valve response times [ms]										
Valve function ordering code		M	J	N	K	B	G	E	X	I
Response times	on	10	-	10	10	10	10	10	10	10
	off	20	-	20	20	25	25	25	20	20
	change-over	-	10	-	-	-	-	-	-	-

Operating and environmental conditions											
Valve function ordering code		M	J	N	K	B	G	E	X	I	
Operating medium		Filtered compressed air, lubricated or unlubricated, inert gases → 35									
Grade of filtration [µm]		40									
Operating pressure [bar]		-0.9 ... +10			3 ... 10		-0.9 ... +10			3 ... 10	
Operating pressure for valve terminal with internal pilot air supply [bar]		3 ... 8									
Pilot pressure [bar]		3 ... 8									
Ambient temperature [°C]		-5 ... +60			-5 ... +40 <sup>2)</sup>		-5 ... +60			-5 ... +40 <sup>2)</sup>	
Ambient temperature in case of fieldbus connection [°C]		-5 ... +50			-5 ... +40 <sup>2)</sup>		-5 ... +50			-5 ... +40 <sup>2)</sup>	
Storage temperature [°C]		-20 ... +40									
Corrosion resistance class CRC <sup>1)</sup>		1									
Certification		c UL us - Recognized (OL)									

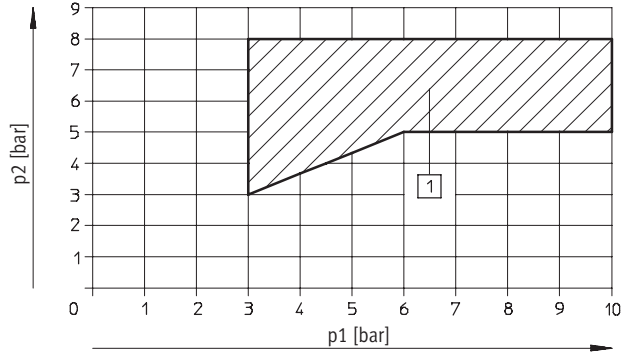
- 1) Corrosion resistance class 1 according to Festo standard 940 070  
Components requiring low corrosion resistance. Transport and storage protection. Parts that do not have primarily decorative surface requirements, e.g. in internal areas that are not visible or behind covers.
- 2) Restricted ambient temperature in case of two permanently activated solenoid coils per valve location, otherwise same temperature range as ordering code M.

## Pilot pressure p2 as a function of working pressure p1 with external pilot air supply for valve sub-bases with code M, J, B, G, E, X



1) Operating range for valves with external pilot air supply

## for valve sub-bases with code N, K, I



1) Operating range for valves with external pilot air supply

# Valve terminals type 82 CPA-SC, Smart Cubic

FESTO

Technical data

Electrical data	
Valve function ordering code	M   J   N   K   B   G   E   X   I
Electromagnetic compatibility of the CPA-SC valve terminal (Sub-D or flat cable connection)	Interference emission tested to EN 61000-6-4, industry
	Interference immunity <sup>1)</sup> tested to EN 61000-6-2, industry
Protection against electric shock (protection against direct and indirect contact to EN 60204-1/IEC 204)	By means of PELV power supply unit
Operating voltage of valves and electronic components	
Nominal operating voltage [V]	24 DC
Operating voltage range [V]	20.4 ... 26.4 DC
Electrical power consumption	
Electronic components [mA]	200 and current consumption of sensors
Valves [W]	Pull: 1, hold: 0.3
Residual ripple [V <sub>ss</sub> ]	4
Cut-off pause [ms]	Min. 1
Switching frequency [Hz]	Max. 10
Duty cycle	100%
Protection class to EN 60529	IP40 (in assembled state and with detenting plug)
Relative air humidity	90% at 40°C, non-condensing
Vibration resistance	To DIN/IEC 68/EN 60068, Parts 2-6, severity level 2
Continuous shock resistance	To DIN/IEC 68/EN 60068, Parts 2-27, severity level 2

1) The maximum signal line length is 10 m

Materials	
Valve function ordering code	M   J   N   K   B   G   E   X   I
Manifold block	Wrought aluminium alloy
Valve sub-base	Die-cast aluminium
Seal	Nitrile rubber

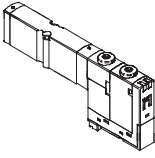
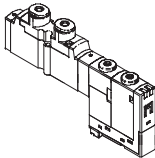
Product weight [g]	Approx. weights
Valve function ordering code	M   J   N   K   B   G   E   X   I
Basic manifold block weight	125
Additional manifold block weight per valve position	40
Individual block	45
per valve sub-base	40
Fieldbus connection	150



# Valve terminals type 82 CPA-SC, Smart Cubic

Technical data

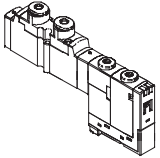
FESTO

Standard nominal flow rate [l/min]						
	Code	Valve function	Valve	Individual block	CPA-SC valve terminal with multi-pin plug connection/individual PI connections	CPA-SC valve terminal with individual horizontal connections
	Sub-base valve					
	M	5/2-way valve, single solenoid	220	170	150	120
	J	5/2-way valve, double solenoid	220	170	150	120
	N	2x 3/2-way valve, normally open	220	170	150	120
	K	2x 3/2-way valve, normally closed	180	150	120	120
	B	5/3-way valve, mid-position pressurised	220	150	120	120
	G	5/3-way valve, mid-position closed	180	150	120	120
	E	5/3-way valve, mid-position exhausted	180	150	120	120
	X	1x 3/2-way valve	120	–	100	85
I	2x 2/2-way valve	150	140	140	120	
	Semi in-line valve with working port M5					
	M	5/2-way valve, single solenoid	200	180	180	180
	J	5/2-way valve, double solenoid	200	180	180	180
	N	2x 3/2-way valve, normally open	200	180	180	180
	K	2x 3/2-way valve, normally closed	150	150	150	150
	B	5/3-way valve, mid-position pressurised	180	180	180	180
	G	5/3-way valve, mid-position closed	150	150	150	150
	E	5/3-way valve, mid-position exhausted	180	170	180	170
	X	1x 3/2-way valve	120	–	120	120
I	2x 2/2-way valve	150	150	150	150	

# Valve terminals type 82 CPA-SC, Smart Cubic

FESTO

Technical data

Standard nominal flow rate [l/min]						
	Code	Valve function	Valve	Individual block	CPA-SC valve terminal with multi-pin plug connection/individual PI connections	CPA-SC valve terminal with individual horizontal connections
	Semi in-line valve, working port with QS-3 fitting					
	M	5/2-way valve, single solenoid	140	140	140	140
	J	5/2-way valve, double solenoid	140	140	140	140
	N	2x 3/2-way valve, normally open	140	140	140	140
	K	2x 3/2-way valve, normally closed	130	130	130	130
	B	5/3-way valve, mid-position pressurised	140	140	140	140
	G	5/3-way valve, mid-position closed	130	130	130	130
	E	5/3-way valve, mid-position exhausted	140	140	140	140
	X	1x 3/2-way valve	100	–	100	100
	I	2x 2/2-way valve	130	130	130	130
	Semi in-line valve, working port with QS-4 fitting					
	M	5/2-way valve, single solenoid	180	170	180	180
	J	5/2-way valve, double solenoid	180	170	180	180
	N	2x 3/2-way valve, normally open	180	170	180	180
	K	2x 3/2-way valve, normally closed	150	150	150	150
	B	5/3-way valve, mid-position pressurised	180	170	180	170
	G	5/3-way valve, mid-position closed	150	150	150	150
	E	5/3-way valve, mid-position exhausted	170	170	170	170
	X	1x 3/2-way valve	120	–	120	120
I	2x 2/2-way valve	150	140	150	150	

# Valve terminals type 82 CPA-SC, Smart Cubic

Technical data

FESTO

## Pneumatic equipment

Operate your equipment with unlubricated compressed air if possible. Festo valves and cylinders are designed for operation under normal use without any additional lubrication, yet still have a long service life. The quality of compressed air downstream from the compressor must correspond to that of unlubricated compressed air. If possible, do not operate all of your equipment with lubricated compressed air. The lubricators should, where possible, always be installed directly upstream of the cylinders used.

Incorrect additional oil and too high an oil content in the compressed air reduces the service life of a valve terminal.

Use Festo special oil OFSW-32 or the alternatives listed in the Festo catalogue (as specified in DIN 51524 HLP32; basic oil viscosity 32 CST at 40 °C).

## Bio-oils

When using bio-oils (oils which are based upon synthetic or native ester, e.g. rapeseed oil methyl ester), the maximum residual oil content of 0.1 mg/m<sup>3</sup> must not be exceeded (see ISO 8573-1 Class 2).

## Mineral oils

When using mineral oils (e.g. HLP oils to DIN 51524, parts 1 through 3) or similar oils based on poly-alpha-olefins (PAO), the maximum residual oil content of 5 mg/m<sup>3</sup> must not be exceeded (see ISO 8573-1 Class 4). A higher residual oil content irrespective of the compressor oil cannot be permitted, as the basic lubricant would be flushed out over time.

# Valve terminals type 82 CPA-SC, Smart Cubic

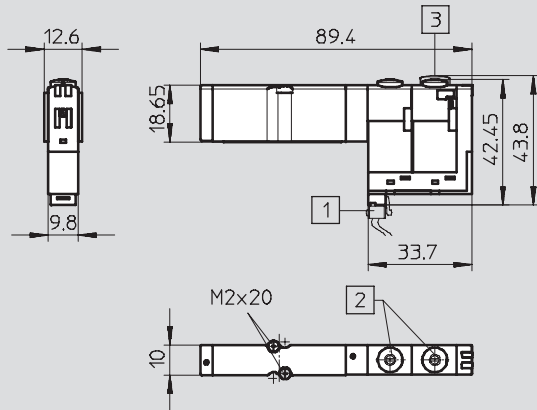
Technical data

FESTO

## Dimensions – Sub-base valve

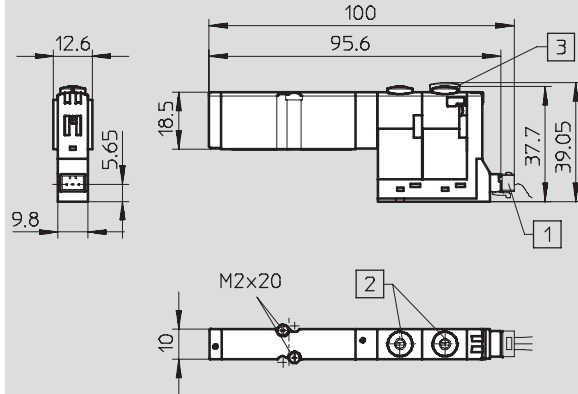
Download CAD data → [www.festo.com](http://www.festo.com)

With individual plug-in (PI) connection



- 1 Individual PI connection
- 2 Manual override (MO)
- 3 Manual override cover

With individual horizontal connection (HC)

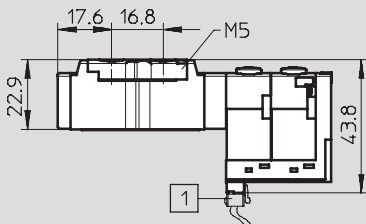


- 1 Individual horizontal connection
- 2 Manual override (MO)
- 3 Manual override cover

## Dimensions – Semi in-line valve with working port M5

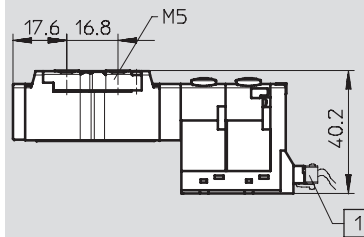
Download CAD data → [www.festo.com](http://www.festo.com)

With individual plug-in (PI) connection



- 1 Individual PI connection

With individual horizontal connection (HC)

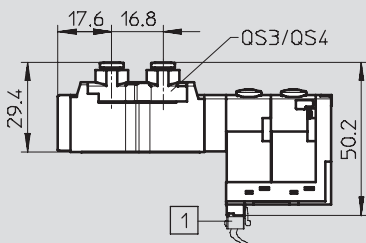


- 1 Individual horizontal connection

## Dimensions – Semi in-line valve with working port QS-3/QS-4

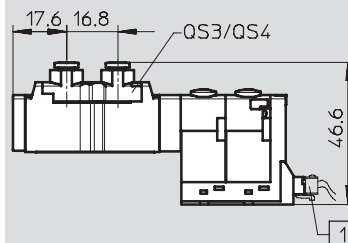
Download CAD data → [www.festo.com](http://www.festo.com)

With individual plug-in (PI) connection



- 1 Individual PI connection

With individual horizontal connection (HC)



- 1 Individual horizontal connection

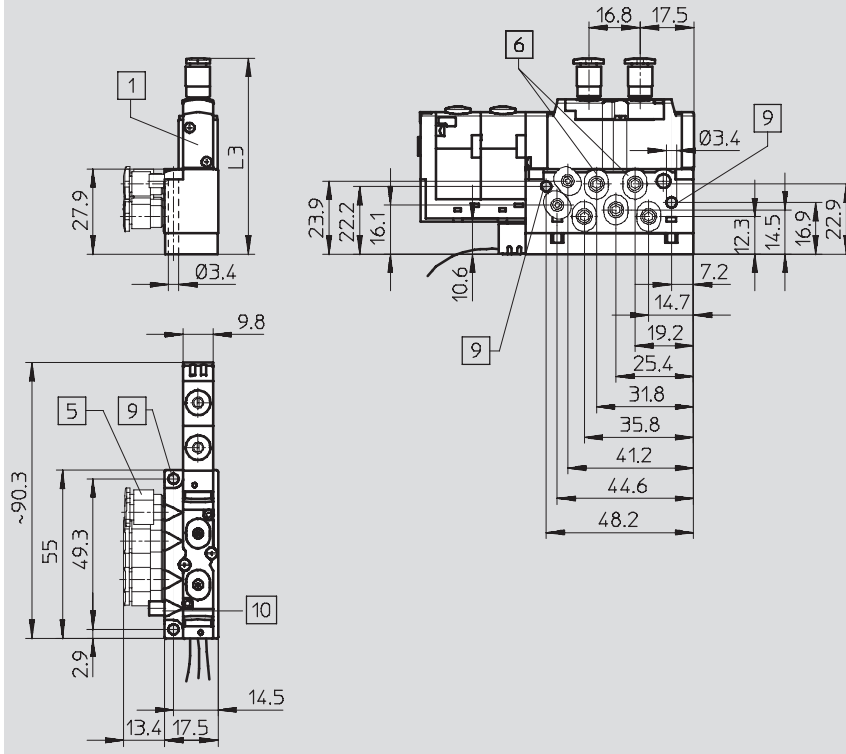
# Valve terminals type 82 CPA-SC, Smart Cubic

Technical data

## Dimensions – Individual sub-base

Download CAD data → [www.festo.com](http://www.festo.com)

With individual plug-in (PI) connection



- 1 Semi in-line valve with M5 threaded connections
- 5 Push-in fitting
- 6 Working lines for sub-base valve (not required with semi in-line valves)
- 9 4x mounting holes
- 10 Silencer for exhaust air

Valve type	L3
Semi in-line valve	
with working port M5	50.8
with working port QS-3	57.2
with working port QS-4	57.2
Sub-base valve	48.3
Blanking plate	37.1

# Valve terminals type 82 CPA-SC, Smart Cubic

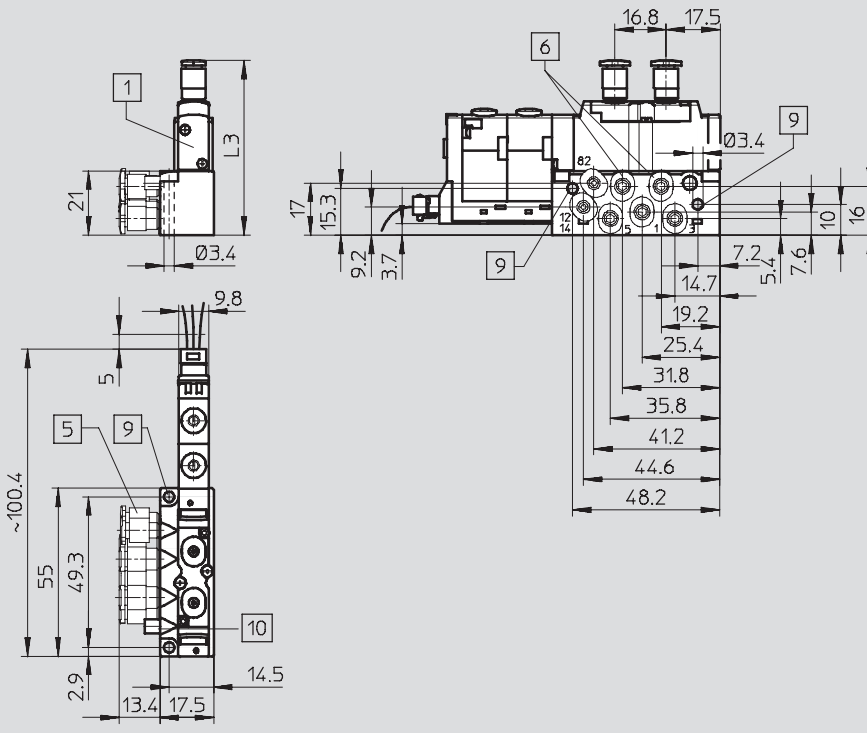
Technical data

FESTO

## Dimensions – Individual sub-base

Download CAD data → [www.festo.com](http://www.festo.com)

With individual horizontal connection (HC)



- 1 Semi in-line valve with M5 threaded connection
- 5 Push-in fitting
- 6 Working lines for sub-base valve (not required with semi in-line valves)
- 9 4x mounting holes
- 10 Silencer for exhaust air

Valve type	L3
Semi in-line valve	
with working port M5	43.9
with working port QS-3	50.3
with working port QS-4	50.3
Sub-base valve	41.4
Blanking plate	30.2

# Valve terminals type 82 CPA-SC, Smart Cubic

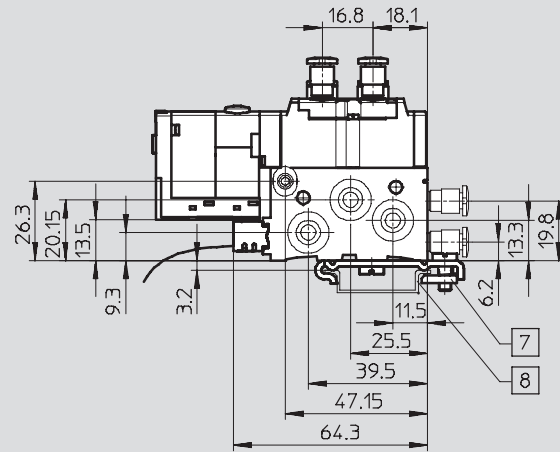
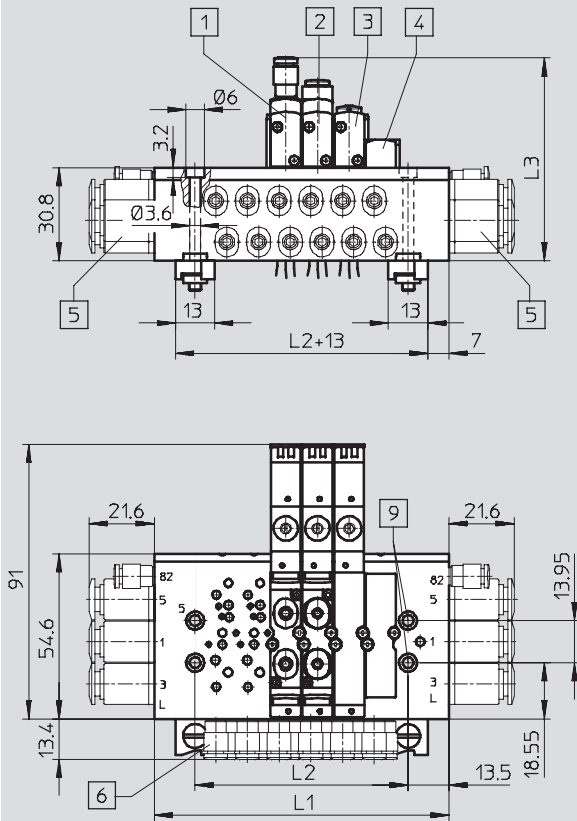
Technical data

FESTO

## Dimensions – Valve terminal

Download CAD data → [www.festo.com](http://www.festo.com)

With individual plug-in (PI) connection



- 1 Semi in-line valve with M5 threaded connection
- 2 Semi in-line valve with integrated push-in fitting
- 3 Sub-base valve
- 4 Blanking plate for vacant position
- 5 Push-in fitting
- 6 Working lines for sub-base valves (not required with semi in-line valves)
- 7 Mounting for H-rail TH 35-7.5 EN60 715
- 8 H-rail
- 9 4x mounting holes

Valve positions	L1	L2
2	55,5	28,5
4	76,5	49,5
6	97,5	70,5
8	118,5	91,5
10	139,5	112,5
12	160,5	133,5
16	202,5	175,5

Valve type	L3
Semi in-line valve with working port M5	53,7
with working port QS-3	60,1
with working port QS-4	60,1
Sub-base valve	51,2
Blanking plate	40

# Valve terminals type 82 CPA-SC, Smart Cubic

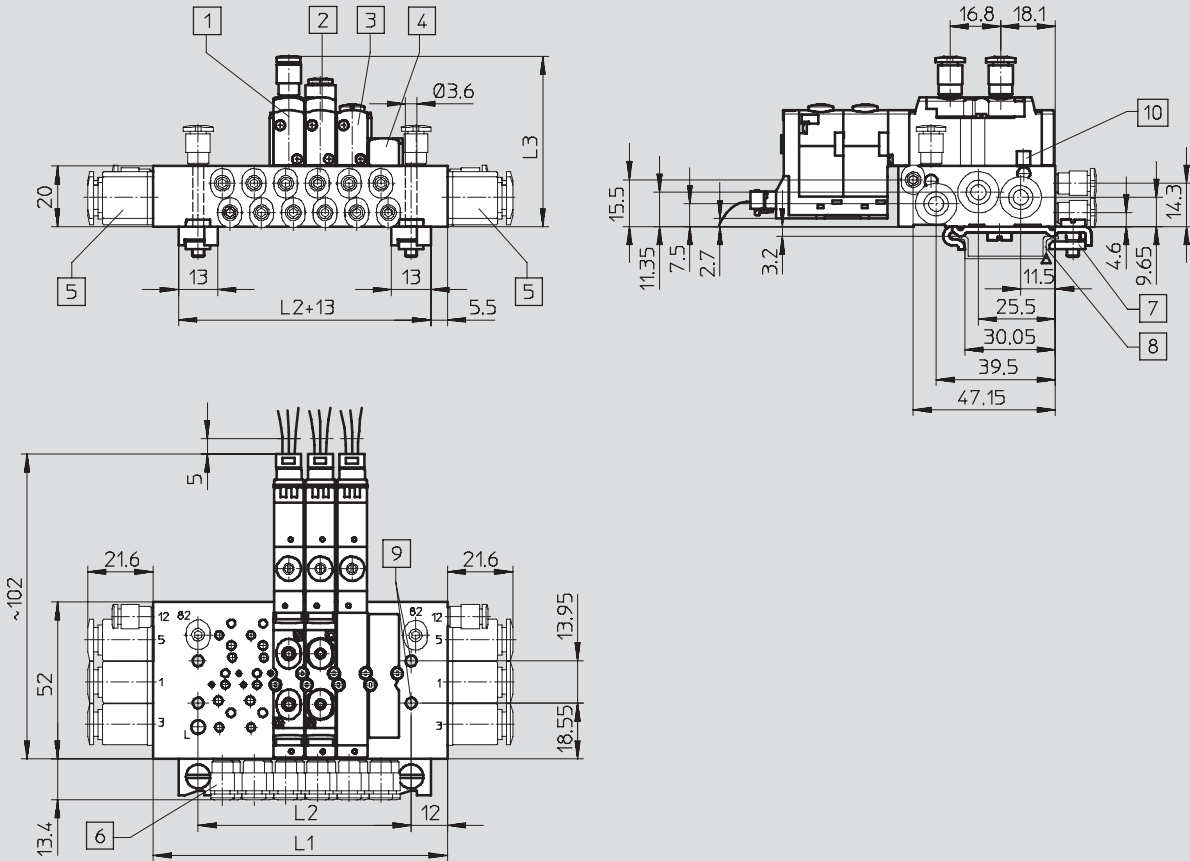
Technical data

FESTO

## Dimensions – Valve terminal

Download CAD data → [www.festo.com](http://www.festo.com)

With individual horizontal connection (HC)



- 1 Semi in-line valve with M5 threaded connection
- 2 Semi in-line valve with integrated push-in fitting
- 3 Sub-base valve
- 4 Blanking plate for vacant position
- 5 Push-in fitting
- 6 Working lines for sub-base valves (not required with semi in-line valves)
- 7 Mounting for H-rail TH 35-7.5 EN60 715
- 8 H-rail
- 9 4x mounting holes
- 10 Silencer for exhaust air

Valve positions	L1	L2
2	54.5	29
4	75.5	50
6	96.5	71
8	117.5	92
10	138.5	113
12	159.5	134
16	201.5	176

Valve type	L3
Semi in-line valve with working port M5	42.9
with working port QS-3	49.3
with working port QS-4	49.3
Sub-base valve	40.4
Blanking plate	29.2



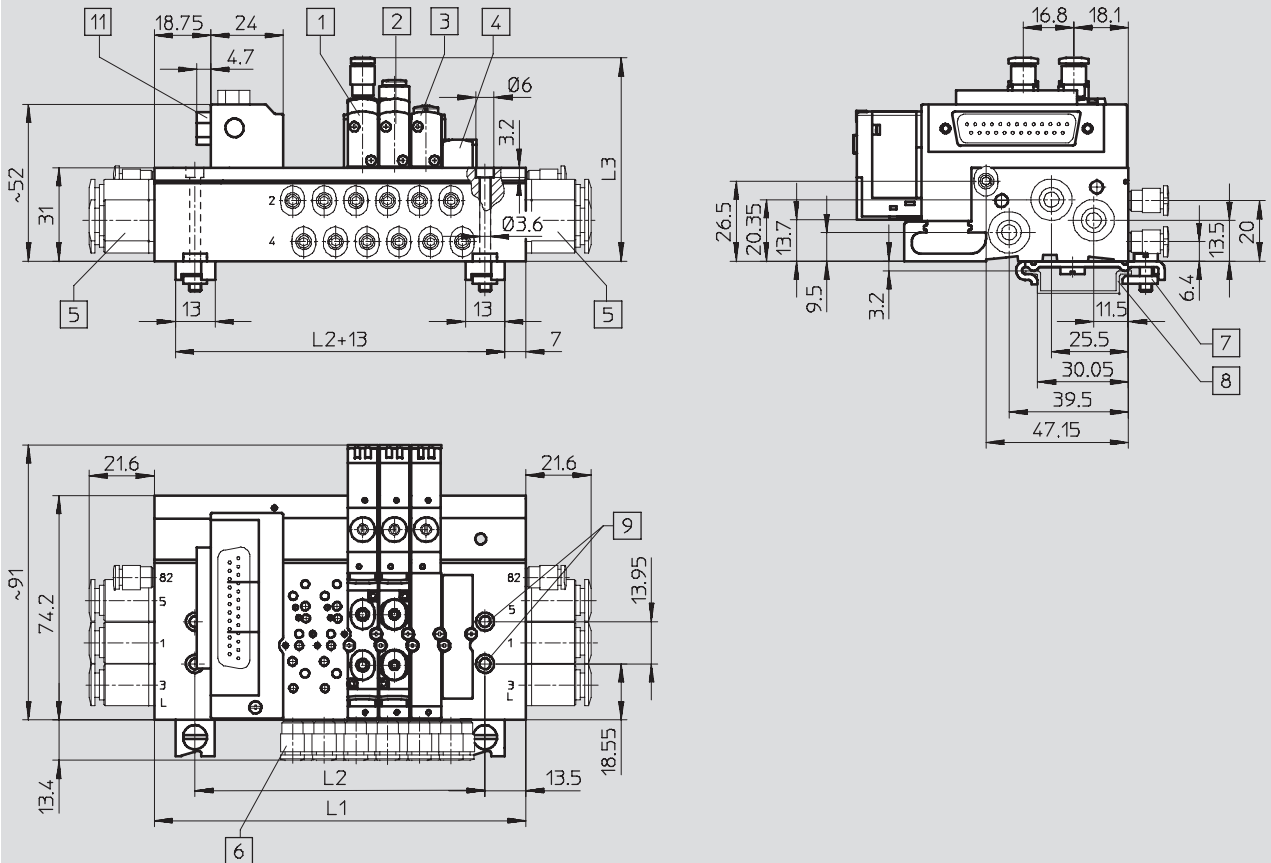
# Valve terminals type 82 CPA-SC, Smart Cubic

Technical data

## Dimensions – Valve terminal

Download CAD data → [www.festo.com](http://www.festo.com)

With Sub-D multi-pin plug connection



- 1 Semi in-line valve with M5 threaded connection
- 2 Semi in-line valve with integrated push-in fitting
- 3 Sub-base valve
- 4 Blanking plate for vacant position
- 5 Push-in fitting
- 6 Working lines for sub-base valves (not required with semi in-line valves)
- 7 Mounting for H-rail TH 35-7.5 EN60 715
- 8 H-rail
- 9 4x mounting holes
- 11 Sub-D multi-pin plug connection, 25-pin, 90° rotatable

Valve positions	L1	L2
2	81	54
4	102	75
6	123	96
8	144	117
10	165	138
12	186	159
16	228	201
20	270	243

Valve type	L3
Semi in-line valve	
with working port M5	53.9
with working port QS-3	60.3
with working port QS-4	60.3
Sub-base valve	51.4
Blanking plate	40.2

# Valve terminals type 82 CPA-SC, Smart Cubic

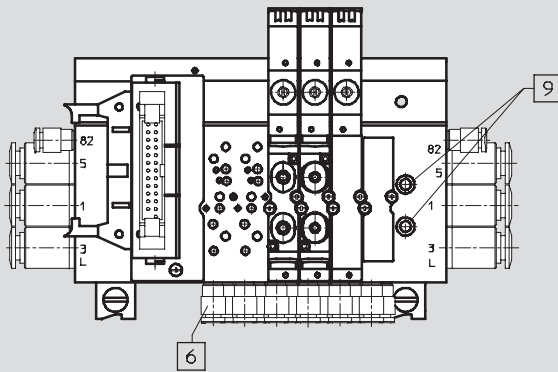
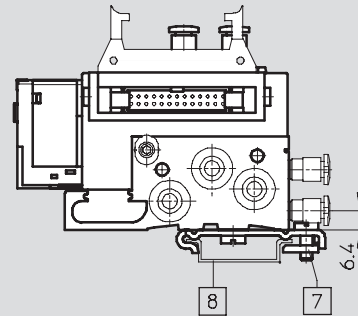
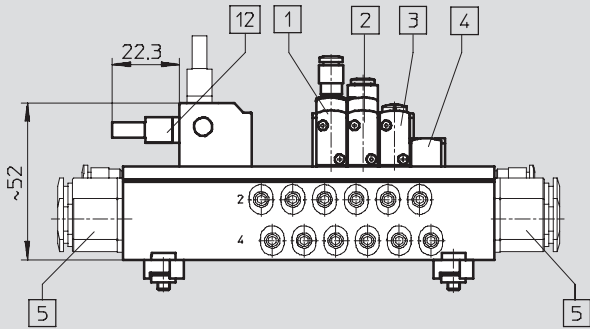
Technical data

FESTO

## Dimensions – Valve terminal

Download CAD data → [www.festo.com](http://www.festo.com)

With multi-pin connector for flat cable



- |   |  |   |                                    |   |   |    |   |
|---|--|---|------------------------------------|---|---|----|---|
| 1 | Semi in-line valve with M5 threaded connection     | 3 | Sub-base valve                     | 6 | Working lines for sub-base valves (not required with semi in-line valves) | 7  | Mounting for H-rail TH 35-7.5 EN60 715          |
| 2 | Semi in-line valve with integrated push-in fitting | 4 | Blanking plate for vacant position |   |   | 8  | H-rail  |
|   |  | 5 | Push-in fitting                    |   |   | 9  | 4x mounting holes                               |
|   |  |   |                                    |   |   | 12 | Connector for flat cable, 26-pin, 90° rotatable |

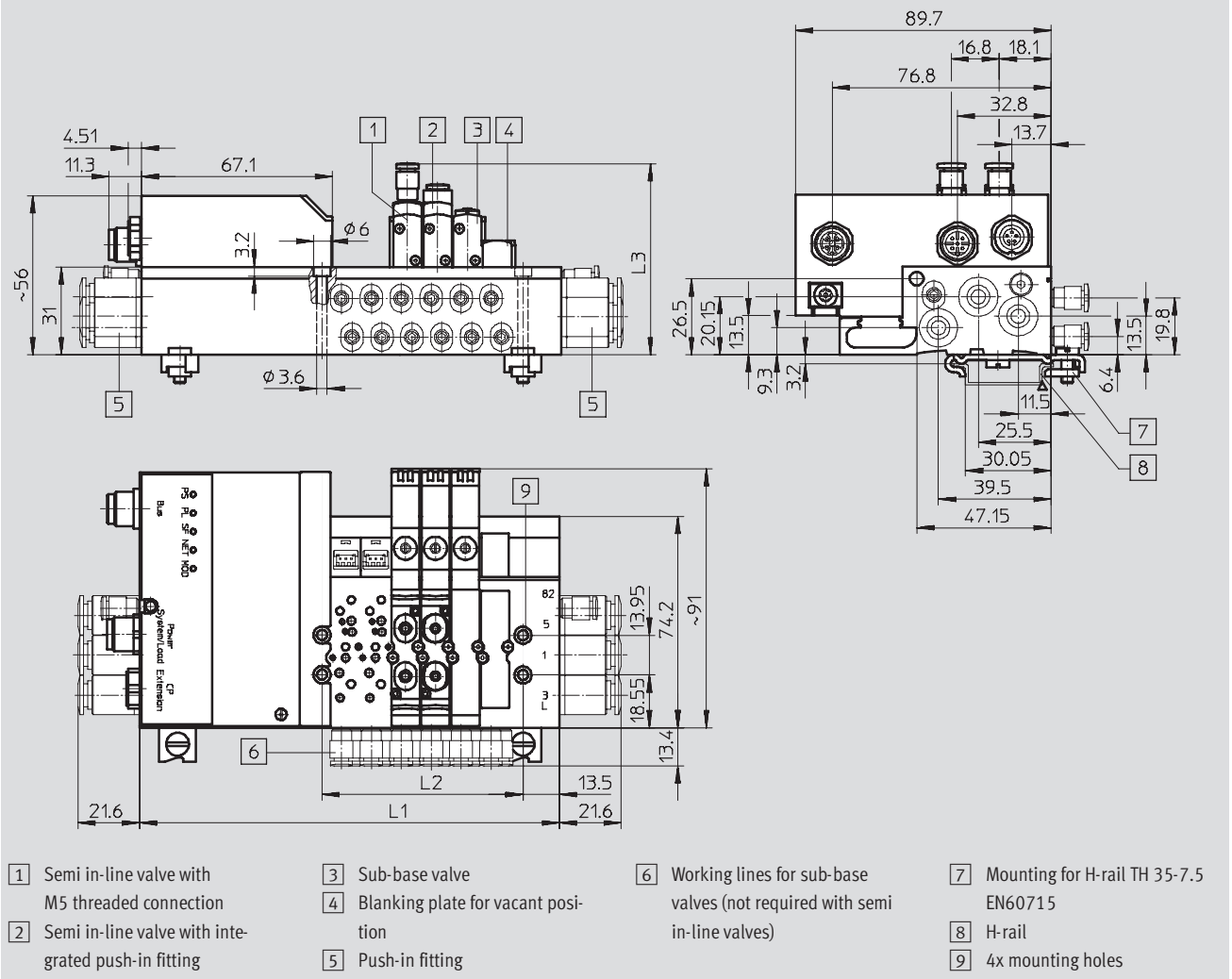
# Valve terminals type 82 CPA-SC, Smart Cubic

Technical data

## Dimensions – Valve terminal

Download CAD data → [www.festo.com](http://www.festo.com)

With fieldbus connection

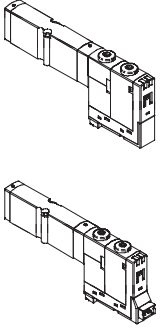


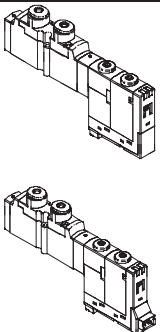
Valve positions	L1	L2
4	127.2	49.5
6	148.2	70.5
8	169.2	91.5
10	190.2	112.5
12	211.2	133.5
16	253.2	175.5
20	295.2	217.5
24	337.2	259.5

Valve type	L3
Semi in-line valve with working port M5	53.9
with working port QS-3	60.3
with working port QS-4	67.3
Sub-base valve	51.4
Blanking plate	40.2

# Valve terminals type 82 CPA-SC, Smart Cubic

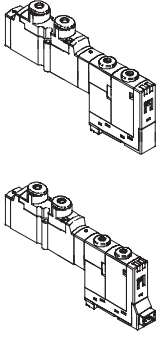
Ordering data – Individual valve

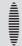
Ordering data – Sub-base valves						
	Code	Valve function	Electrical plug-in connection		Electrical horizontal connection	
			Type	Part No.	Type	Part No.
	M	5/2-way valve, single solenoid	CPASC1-M1H-M-P-2,5	526990	CPASC1-M1H-M-H-2,5	527008
	J	5/2-way valve, double solenoid	CPASC1-M1H-J-P-2,5	526992	CPASC1-M1H-J-H-2,5	527010
	N	2x 3/2-way valve, normally open	CPASC1-M1H-N-P-2,5	526994	CPASC1-M1H-N-H-2,5	527012
	K	2x 3/2-way valve, normally closed	CPASC1-M1H-K-P-2,5	526996	CPASC1-M1H-K-H-2,5	527014
	B	5/3-way valve, mid-position pressurised	CPASC1-M1H-B-P-2,5	526998	CPASC1-M1H-B-H-2,5	527016
	G	5/3-way valve, mid-position closed	CPASC1-M1H-G-P-2,5	527000	CPASC1-M1H-G-H-2,5	527018
	E	5/3-way valve, mid-position exhausted	CPASC1-M1H-E-P-2,5	527002	CPASC1-M1H-E-H-2,5	527020
	X	1x 3/2-way valve	CPASC1-M1H-X-P-2,5	527004	CPASC1-M1H-X-H-2,5	527022
	I	2x 2/2-way valve	CPASC1-M1H-I-P-2,5	527006	CPASC1-M1H-I-H-2,5	527024

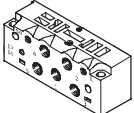
Ordering data – Semi in-line valves						
	Code	Valve function	Electrical plug-in connection		Electrical horizontal connection	
			Type	Part No.	Type	Part No.
	Semi in-line valve with M5 working ports					
	M	5/2-way valve, single solenoid	CPPSC1-M1H-M-P-M5	527294	CPPSC1-M1H-M-H-M5	527303
	J	5/2-way valve, double solenoid	CPPSC1-M1H-J-P-M5	527295	CPPSC1-M1H-J-H-M5	527304
	N	2x 3/2-way valve, normally open	CPPSC1-M1H-N-P-M5	527296	CPPSC1-M1H-N-H-M5	527305
	K	2x 3/2-way valve, normally closed	CPPSC1-M1H-K-P-M5	527297	CPPSC1-M1H-K-H-M5	527306
	B	5/3-way valve, mid-position pressurised	CPPSC1-M1H-B-P-M5	527298	CPPSC1-M1H-B-H-M5	527307
	G	5/3-way valve, mid-position closed	CPPSC1-M1H-G-P-M5	527299	CPPSC1-M1H-G-H-M5	527308
	E	5/3-way valve, mid-position exhausted	CPPSC1-M1H-E-P-M5	527300	CPPSC1-M1H-E-H-M5	527309
	X	1x 3/2-way valve	CPPSC1-M1H-X-P-M5	527301	CPPSC1-M1H-X-H-M5	527310
	I	2x 2/2-way valve	CPPSC1-M1H-I-P-M5	527302	CPPSC1-M1H-I-H-M5	527311
	Semi in-line valve with QS-3 working ports					
	M	5/2-way valve, single solenoid	CPPSC1-M1H-M-P-Q3	527330	CPPSC1-M1H-M-H-Q3	527339
	J	5/2-way valve, double solenoid	CPPSC1-M1H-J-P-Q3	527331	CPPSC1-M1H-J-H-Q3	527340
	N	2x 3/2-way valve, normally open	CPPSC1-M1H-N-P-Q3	527332	CPPSC1-M1H-N-H-Q3	527341
	K	2x 3/2-way valve, normally closed	CPPSC1-M1H-K-P-Q3	527333	CPPSC1-M1H-K-H-Q3	527342
B	5/3-way valve, mid-position pressurised	CPPSC1-M1H-B-P-Q3	527334	CPPSC1-M1H-B-H-Q3	527343	
G	5/3-way valve, mid-position closed	CPPSC1-M1H-G-P-Q3	527335	CPPSC1-M1H-G-H-Q3	527344	
E	5/3-way valve, mid-position exhausted	CPPSC1-M1H-E-P-Q3	527336	CPPSC1-M1H-E-H-Q3	527345	
X	1x 3/2-way valve	CPPSC1-M1H-X-P-Q3	527337	CPPSC1-M1H-X-H-Q3	527346	
I	2x 2/2-way valve	CPPSC1-M1H-I-P-Q3	527338	CPPSC1-M1H-I-H-Q3	527347	

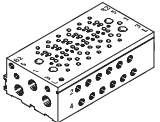
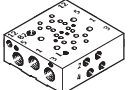
# Valve terminals type 82 CPA-SC, Smart Cubic

Ordering data – Individual valve, manifold block

Ordering data – Semi in-line valves						
	Code	Valve function	Electrical plug-in connection		Electrical horizontal connection	
			Type	Part No.	Type	Part No.
	Semi in-line valve with QS-4 working ports					
	M	5/2-way valve, single solenoid	CPPSC1-M1H-M-P-Q4	527312	CPPSC1-M1H-M-H-Q4	527321
	J	5/2-way valve, double solenoid	CPPSC1-M1H-J-P-Q4	527313	CPPSC1-M1H-J-H-Q4	527322
	N	2x 3/2-way valve, normally open	CPPSC1-M1H-N-P-Q4	527314	CPPSC1-M1H-N-H-Q4	527323
	K	2x 3/2-way valve, normally closed	CPPSC1-M1H-K-P-Q4	527315	CPPSC1-M1H-K-H-Q4	527324
	B	5/3-way valve, mid-position pressurised	CPPSC1-M1H-B-P-Q4	527316	CPPSC1-M1H-B-H-Q4	527325
	G	5/3-way valve, mid-position closed	CPPSC1-M1H-G-P-Q4	527317	CPPSC1-M1H-G-H-Q4	527326
	E	5/3-way valve, mid-position exhausted	CPPSC1-M1H-E-P-Q4	527318	CPPSC1-M1H-E-H-Q4	527327
	X	1x 3/2-way valve	CPPSC1-M1H-X-P-Q4	527319	CPPSC1-M1H-X-H-Q4	527328
I	2x 2/2-way valve	CPPSC1-M1H-I-P-Q4	527320	CPPSC1-M1H-I-H-Q4	527329	

 Note  
 Manifold blocks with multi-pin plug or fieldbus connection can only be equipped with valves with electrical plug-in connection.

Ordering data – Individual sub-base			
	With internal pilot air supply	CPPSC1-PRS-1-5-HC	527384
	With external pilot air supply	CPPSC1-PRS-1-5S-HC	527388

Ordering data – Manifold block for sub-base valves					
	Valve positions	Internal pilot air supply		External pilot air supply	
		Type	Part No.	Type	Part No.
Individual plug-in connection					
	2	CPASC1-PRS-2-5-M5-PI	527106	CPASC1-PRS-2-5S-M5-PI	527218
	4	CPASC1-PRS-4-5-M5-PI	527108	CPASC1-PRS-4-5S-M5-PI	527220
	6	CPASC1-PRS-6-5-M5-PI	527110	CPASC1-PRS-6-5S-M5-PI	527222
	8	CPASC1-PRS-8-5-M5-PI	527112	CPASC1-PRS-8-5S-M5-PI	527224
	10	CPASC1-PRS-10-5-M5-PI	527114	CPASC1-PRS-10-5S-M5-PI	527226
	12	CPASC1-PRS-12-5-M5-PI	527116	CPASC1-PRS-12-5S-M5-PI	527228
	16	CPASC1-PRS-16-5-M5-PI	527118	CPASC1-PRS-16-5S-M5-PI	527230
Individual horizontal connection					
	2	CPASC1PRS-2-5-M5-HC	527078	CPASC1PRS-2-5S-M5-HC	527190
	4	CPASC1PRS-4-5-M5-HC	527080	CPASC1PRS-4-5S-M5-HC	527192
	6	CPASC1PRS-6-5-M5-HC	527082	CPASC1PRS-6-5S-M5-HC	527194
	8	CPASC1PRS-8-5-M5-HC	527084	CPASC1PRS-8-5S-M5-HC	527196
	10	CPASC1PRS-10-5-M5-HC	527086	CPASC1PRS-10-5S-M5-HC	527198
	12	CPASC1PRS-12-5-M5-HC	527088	CPASC1PRS-12-5S-M5-HC	527200
	16	CPASC1PRS-16-5-M5-HC	527090	CPASC1PRS-16-5S-M5-HC	527202

# Valve terminals type 82 CPA-SC, Smart Cubic

Ordering data – Individual valve, manifold block

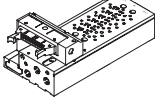
Ordering data – Manifold block for sub-base valves					
	Valve positions	Internal pilot air supply		External pilot air supply	
		Type	Part No.	Type	Part No.
<b>Multi-pin plug connection, Sub-D</b>					
	2	CPASC1-PRS-2-5-M5-MP	539898	CPASC1-PRS-2-5S-M5-MP	539896
	4	CPASC1-PRS-4-5-M5-MP	527134	CPASC1-PRS-4-5S-M5-MP	527246
	6	CPASC1-PRS-6-5-M5-MP	527136	CPASC1-PRS-6-5S-M5-MP	527248
	8	CPASC1-PRS-8-5-M5-MP	527138	CPASC1-PRS-8-5S-M5-MP	527250
	10	CPASC1-PRS-10-5-M5-MP	527140	CPASC1-PRS-10-5S-M5-MP	527252
	12	CPASC1-PRS-12-5-M5-MP	527142	CPASC1-PRS-12-5S-M5-MP	527254
	16	CPASC1-PRS-16-5-M5-MP	527144	CPASC1-PRS-16-5S-M5-MP	527256
	20	CPASC1-PRS-20-5-M5-MP	527146	CPASC1-PRS-20-5S-M5-MP	527258
<b>Multi-pin plug connection, flat cable</b>					
	4	CPASC1-PRS-4-5-M5-FL	527162	CPASC1-PRS-4-5S-M5-FL	527274
	6	CPASC1-PRS-6-5-M5-FL	527164	CPASC1-PRS-6-5S-M5-FL	527276
	8	CPASC1-PRS-8-5-M5-FL	527166	CPASC1-PRS-8-5S-M5-FL	527278
	10	CPASC1-PRS-10-5-M5-FL	527168	CPASC1-PRS-10-5S-M5-FL	527280
	12	CPASC1-PRS-12-5-M5-FL	527170	CPASC1-PRS-12-5S-M5-FL	527282
	16	CPASC1-PRS-16-5-M5-FL	527172	CPASC1-PRS-16-5S-M5-FL	527284
	20	CPASC1-PRS-20-5-M5-FL	527174	CPASC1-PRS-20-5S-M5-FL	527286

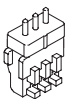
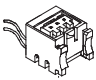
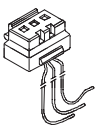
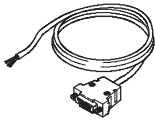
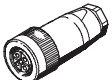

Ordering data – Manifold block for semi in-line valves					
	Valve positions	Internal pilot air supply		External pilot air supply	
		Type	Part No.	Type	Part No.
<b>Individual plug-in connection</b>					
	2	CPPSC1-PRS-2-5-PI	527092	CPPSC1-PRS-2-5S-PI	527204
	4	CPPSC1-PRS-4-5-PI	527094	CPPSC1-PRS-4-5S-PI	527206
	6	CPPSC1-PRS-6-5-PI	527096	CPPSC1-PRS-6-5S-PI	527208
	8	CPPSC1-PRS-8-5-PI	527098	CPPSC1-PRS-8-5S-PI	527210
	10	CPPSC1-PRS-10-5-PI	527100	CPPSC1-PRS-10-5S-PI	527212
	12	CPPSC1-PRS-12-5-PI	527102	CPPSC1-PRS-12-5S-PI	527214
	16	CPPSC1-PRS-16-5-PI	527104	CPPSC1-PRS-16-5S-PI	527216
<b>Individual horizontal connection</b>					
	2	CPPSC1PRS-2-5-HC	527064	CPPSC1PRS-2-5S-HC	527176
	4	CPPSC1PRS-4-5-HC	527066	CPPSC1PRS-4-5S-HC	527178
	6	CPPSC1PRS-6-5-HC	527068	CPPSC1PRS-6-5S-HC	527180
	8	CPPSC1PRS-8-5-HC	527070	CPPSC1PRS-8-5S-HC	527182
	10	CPPSC1PRS-10-5-HC	527072	CPPSC1PRS-10-5S-HC	527184
	12	CPPSC1PRS-12-5-HC	527074	CPPSC1PRS-12-5S-HC	527186
	16	CPPSC1PRS-16-5-HC	527076	CPPSC1PRS-16-5S-HC	527188
<b>Multi-pin plug connection, Sub-D</b>					
	2	CPPSC1-PRS-2-5-MP	539902	CPPSC1-PRS-2-5S-MP	539900
	4	CPPSC1-PRS-4-5-MP	527120	CPPSC1-PRS-4-5S-MP	527232
	6	CPPSC1-PRS-6-5-MP	527122	CPPSC1-PRS-6-5S-MP	527234
	8	CPPSC1-PRS-8-5-MP	527124	CPPSC1-PRS-8-5S-MP	527236
	10	CPPSC1-PRS-10-5-MP	527126	CPPSC1-PRS-10-5S-MP	527238
	12	CPPSC1-PRS-12-5-MP	527128	CPPSC1-PRS-12-5S-MP	527240
	16	CPPSC1-PRS-16-5-MP	527130	CPPSC1-PRS-16-5S-MP	527242
	20	CPPSC1-PRS-20-5-MP	527132	CPPSC1-PRS-20-5S-MP	527244

# Valve terminals type 82 CPA-SC, Smart Cubic

Ordering data – Accessories

FESTO


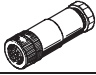



Ordering data – Manifold block for semi in-line valves					
	Valve positions	Internal pilot air supply		External pilot air supply	
		Type	Part No.	Type	Part No.
Multi-pin plug connection, flat cable					
	4	CPPSC1-PRS-4-5-FL	527148	CPPSC1-PRS-4-5S-FL	527260
	6	CPPSC1-PRS-6-5-FL	527150	CPPSC1-PRS-6-5S-FL	527262
	8	CPPSC1-PRS-8-5-FL	527152	CPPSC1-PRS-8-5S-FL	527264
	10	CPPSC1-PRS-10-5-FL	527154	CPPSC1-PRS-10-5S-FL	527266
	12	CPPSC1-PRS-12-5-FL	527156	CPPSC1-PRS-12-5S-FL	527268
	16	CPPSC1-PRS-16-5-FL	527158	CPPSC1-PRS-16-5S-FL	527270
	20	CPPSC1-PRS-20-5-FL	527160	CPPSC1-PRS-20-5S-FL	527272

Ordering data – Accessories				
Designation			Type	Part No.
Soldering base for plug-in connection				
	3-pin	Scope of delivery 10 pieces	PCBC-B-10	539904
	3-pin	Scope of delivery 100 pieces	PCBC-B-100	539905
Plug socket with cable for plug-in connection				
	For 1 coil	0.5 m	MHAP-PI	197260
		1 m	MHAP-PI-1	532182
	For 2 coils	0.5 m	MHAP-PI-D-0,5	529116
		1 m	MHAP-PI-D-1	527395
Plug socket with cable for horizontal connection				
	For 1 coil, 2-wire	0.5 m	KMH-0,5	197263
		1 m	KMH-1	197264
		2.5 m	KMH-2,5	527400
		5 m	KMH-5	527401
	For 2 coils, 3-wire	0.5 m	KMH-D-0,5	527396
		1 m	KMH-D-1	527397
		2.5 m	KMH-D-2,5	527398
		5 m	KMH-D-5	527399
Connecting cable to IP40				
	Sub-D, 25-pin, up to 20 coils	2.5 m	KMP6-25P-20-2,5	530046
		5 m	KMP6-25P-20-5	530047
		10 m	KMP6-25P-20-10	530048
	Sub-D, 25-pin, up to 12 coils	2.5 m	KMP6-25P-12-2,5	530049
		5 m	KMP6-25P-12-5	530050
		10 m	KMP6-25P-12-10	530051
Power supply				
	MicroStyle M12, 5-pin socket (B-coded) for DeviceNet	for 0.75 mm <sup>2</sup>	NTSD-GD-9-M12-5POL-RK	538999
	M12, 5-pin socket (A-coded) for Profibus DP	for 0.75 mm <sup>2</sup>	FBSD-GD-9-5POL	18324

## Valve terminals type 82 CPA-SC, Smart Cubic

FESTO

Ordering data – Accessories


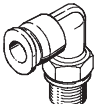

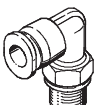
Ordering data – Accessories				
Designation		Type	Part No.	
<b>Fieldbus connection</b>				
	Plug to IP65, M12, 5-pin, PG9 for DeviceNet	for 0.75 mm <sup>2</sup>	<b>FBS-M12-5GS-PG9</b>	<b>175380</b>
	Fieldbus socket for MicroStyle connection, M12, 5-pin socket (A-coded) for DeviceNet	for 0.75 mm <sup>2</sup>	<b>FBSD-GD-9-5POL</b>	<b>18324</b>
<b>Adapter</b>				
	T-adapter, 5-pin, for DH-485/DeviceNet	–	<b>FB-TA-M12-5POL</b>	<b>171175</b>
<b>Valve terminal connection</b>				
	Connecting cable WS-WD, angled plug-angled socket	0.25 m	<b>KVI-CP-3-WS-WD-0,25</b>	<b>540327</b>
		0.5 m	<b>KVI-CP-3-WS-WD-0,5</b>	<b>540328</b>
		2 m	<b>KVI-CP-3-WS-WD-2</b>	<b>540329</b>
		5 m	<b>KVI-CP-3-WS-WD-5</b>	<b>540330</b>
		8 m	<b>KVI-CP-3-WS-WD-8</b>	<b>540331</b>
	Connecting cable GS-GD, straight plug-straight socket	2 m	<b>KVI-CP-3-GS-GD-2</b>	<b>540332</b>
		5 m	<b>KVI-CP-3-GS-GD-5</b>	<b>540333</b>
		8 m	<b>KVI-CP-3-GS-GD-8</b>	<b>540334</b>



# Valve terminals type 82 CPA-SC, Smart Cubic

Accessories





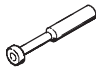
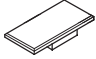
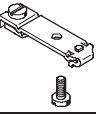
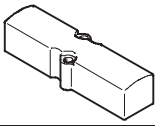

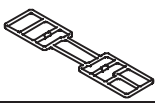

**FESTO**

Ordering data – Accessories				
Designation		Type	Part No.	
<b>Push-in fitting for working ports</b>				
	Connecting thread M5 for tubing O.D.	3 mm	QSM-M5-3	153302
		4 mm	QSM-M5-4	153304
		3 mm	QSM-M5-3-l	153313
		4 mm	QSM-M5-4-l	153315
<b>Push-in L-fitting for working ports</b>				
	Connecting thread M5 for tubing O.D.	3 mm	QSML-M5-3	153331
		4 mm	QSML-M5-4	153333
		6 mm	QSML-M5-6	153335
		4 mm	QSMLL-M5-4	153339
		6 mm	QSMLL-M5-6	153341
<b>Push-in fitting for manifold block</b>				
	Connecting thread M3 for tubing O.D.	3 mm	QSM-M3-3	153301
		4 mm	QSM-M3-4	153303
		3 mm	QSM-M3-3-l	153312
		4 mm	QSM-M3-4-l	153314
	Connecting thread M5 for tubing O.D.	3 mm	QSM-M5-3	153302
		4 mm	QSM-M5-4	153304
		6 mm	QSM-M5-6	153306
		3 mm	QSM-M5-3-l	153313
		4 mm	QSM-M5-4-l	153315
		6 mm	QSM-M5-6-l	153317
	Connecting thread G $\frac{1}{8}$ for tubing O.D.	4 mm	QSM-G $\frac{1}{8}$ -4-l	186266
		6 mm	QSM-G $\frac{1}{8}$ -6-l	186267
		8 mm	QS-G $\frac{1}{8}$ -8-l	186109
	Connecting thread R $\frac{1}{8}$ for tubing O.D.	4 mm	QSM- $\frac{1}{8}$ -4	153305
		6 mm	QSM- $\frac{1}{8}$ -6	153307
		4 mm	QSM- $\frac{1}{8}$ -4-l	153316
6 mm		QSM- $\frac{1}{8}$ -6-l	153318	
<b>Push-in L-fitting for manifold block</b>				
	Connecting thread M3 for tubing O.D.	3 mm	QSML-M3-3	153330
		4 mm	QSML-M3-4	153332
		3 mm	QSMLL-M3-3	153337
		4 mm	QSMLL-M3-4	153338
	Connecting thread M5 for tubing O.D.	3 mm	QSML-M5-3	153331
		4 mm	QSML-M5-4	153333
		6 mm	QSML-M5-6	153335
		4 mm	QSMLL-M5-4	153339
		6 mm	QSMLL-M5-6	153341
		Connecting thread R $\frac{1}{8}$ for tubing O.D.	4 mm	QSML- $\frac{1}{8}$ -4
	6 mm		QSML- $\frac{1}{8}$ -6	153336
	4 mm		QSMLL- $\frac{1}{8}$ -4	153340
6 mm	QSMLL- $\frac{1}{8}$ -6		153342	

# Valve terminals type 82 CPA-SC, Smart Cubic

FESTO

Accessories


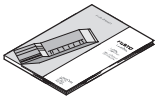
Ordering data – Accessories				
Designation			Type	Part No.
<b>Silencer</b>				
	Connecting thread	M3	U-M3	163978
		M5	U-M5	4645
		M5	UC-M5	165003
		G $\frac{1}{8}$	UC- $\frac{1}{8}$	161419
	Push-in sleeve connection	3 mm	UC-QS-3H	165005
		4 mm	UC-QS-4H	165006
		6 mm	UC-QS-6H	165007
		8 mm	UC-QS-8H	175611
<b>Blanking plug</b>				
	Thread M5		B-M5	3843
	Thread M5		B-M5-B	174308
	Thread G $\frac{1}{8}$		B- $\frac{1}{8}$	3568
	Blanking plug for tubing O.D.	4 mm	QSC-4H	153267
		6 mm	QSC-6H	153268
		8 mm	QSC-8H	153269
		3 mm	QSMC-3H	153382
<b>Inscription labels</b>				
	6x10 in frames, 64 pieces for valve identification		IBS-6x10	18576
	4.5x9 mm, 80 pieces for manifold block identification		MH-BZ-80x	197259
<b>Mounting</b>				
	For H-rail		CPASC1-BG-NRH	527392
<b>Blanking plate</b>				
	Cover for vacant position <sup>1)</sup>		CPASC1-RP	527062
	Cover for manual override, covered (10 pieces)		VMPA-HBV-B	540898
<b>Valve seal</b>				
	For manifold block		CPASC1-SEAL-A	527394
<b>Separator and assembly tool</b>				
	Separator		CPASC1-KT	536942
	Assembly tool for separator		CPASC1-MWKT	536943

1) A self-adhesive label is supplied.

# Valve terminals type 82 CPA-SC, Smart Cubic

Accessories

**FESTO**

Ordering data – Accessories				
Designation		Type	Part No.	
User documentation				
	User documentation – CPA-SC	German	P.BE-CPASC-DE	530932
		English	P.BE-CPASC-EN	530933
		French	P.BE-CPASC-FR	530934
		Spanish	P.BE-CPASC-ES	530935
		Italian	P.BE-CPASC-IT	530936
		Swedish	P.BE-CPASC-SV	530937
	User documentation – DeviceNet fieldbus	German	P.BE-CPASC-CPVSC-DN-DE	539008
		English	P.BE-CPASC-CPVSC-DN-EN	539009
		French	P.BE-CPASC-CPVSC-DN-FR	539010
		Spanish	P.BE-CPASC-CPVSC-DN-ES	539011
		Italian	P.BE-CPASC-CPVSC-DN-IT	539012
		Swedish	P.BE-CPASC-CPVSC-DN-SV	539013
	User documentation – Profibus DP fieldbus	German	P.BE-CPASC-CPVSC-DP-DE	548725
		English	P.BE-CPASC-CPVSC-DP-EN	548726
		French	P.BE-CPASC-CPVSC-DP-FR	548728
		Spanish	P.BE-CPASC-CPVSC-DP-ES	548727
		Italian	P.BE-CPASC-CPVSC-DP-IT	548729
		Swedish	P.BE-CPASC-CPVSC-DP-SV	548730