

Threaded fittings



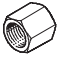




FESTO



Threaded fittings

Product range overview







FESTO

Design	Version	Type	Connection D1			Connection D2			→ Page/ Internet
			M thread	G thread ¹⁾	R thread ¹⁾	M thread	G thread ¹⁾	R thread ¹⁾	
Straight type	Blanking plug								
		B	M3	–	–	–	–	–	6
			M5	–	–	–	–		
			M7	–	–	–	–		
			–	G1/8	–	–	–	–	
				G1/4	–	–	–	–	
				G3/8	–	–	–	–	
				G1/2	–	–	–	–	
			G3/4	–	–	–	–		
			G1	–	–	–	–		
	Sleeve								
		NPFB-S	M5	–	–	–	–	–	12
			–	G1/8	–	–	–	–	
				G1/4	–	–	–	–	
				G3/8	–	–	–	–	
			G1/2	–	–	–	–		
	QM	M5	–	–	–	–	–	10	
		–	G1/8	–	–	–	–		
			G1/4	–	–	–	–		
			G3/8	–	–	–	–		
			G1/2	–	–	–	–		
	QM	M5	–	–	M5	–	–	10	
		–	G1/8	–	–	G1/8	–		
			G1/4	–	–	G1/4	–		
			G3/8	–	–	G3/8	–		
			G1/2	–	–	G1/2	–		
Reducing sleeve									
	NPFB-R	–	G1/8	–	–	G3/8	–	12	
			–	G1/2	–	–	G3/4		
	QMR	–	G1/8	–	M5	–	–	11	
			–	G1/4	–	–	G1/8		
			–	G3/8	–	–	G1/4		
			–	G1/2	–	–	G3/8		
Extension									
	NPFB-E...	–	G1/8	–	–	G1/8	–	13	
			–	G1/4	–	–	G1/4		
			–	G3/8	–	–	G3/8		
			–	G1/2	–	–	G1/2		

1) Sealing of the parallel threaded fittings NPFB with thread sealing tape GWB-0,1 Part No. 9076 is recommended.

Threaded fittings

Product range overview


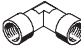
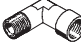


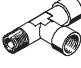
Design	Version	Type	Connection D1			Connection D2			→ Page/ Internet
			M thread	G thread ¹⁾	R thread ¹⁾	M thread	G thread ¹⁾	R thread ¹⁾	
Straight type	Double nipple								
		NPFB-D	M5	–	–	M5	–	–	14
			M7	–	–	–	G ¹ / ₈		
			–	G ¹ / ₈	–	–	G ¹ / ₈ , G ¹ / ₄ , G ³ / ₈		
			–	G ¹ / ₄	–	–	G ¹ / ₄ , G ³ / ₈ , G ¹ / ₂		
			–	G ³ / ₈	–	–	G ³ / ₈ , G ¹ / ₂		
			–	G ¹ / ₂	–	–	G ¹ / ₂		
			–	–	R ¹ / ₈	–	–	R ¹ / ₈ , R ¹ / ₄ , R ³ / ₈	
			–	–	R ¹ / ₄	–	–	R ¹ / ₄ , R ³ / ₈ , R ¹ / ₂	
			–	–	R ³ / ₈	–	–	R ³ / ₈ , R ¹ / ₂	
			–	–	R ¹ / ₂	–	–	R ¹ / ₂ , R ³ / ₄	
	–	–	R ³ / ₄	–	–	R ³ / ₄			
	–	–	R1	–	–	R1			
		E	M3	–	–	M3	–	–	8
			M5	–	–	M5	G ¹ / ₈		
M7			–	–	–	G ¹ / ₈			
–			G ¹ / ₈	–	–	G ¹ / ₈ , G ¹ / ₄ , G ³ / ₈			
–			G ¹ / ₄	–	–	G ¹ / ₄ , G ³ / ₈ , G ¹ / ₂			
–			G ³ / ₈	–	–	G ³ / ₈ , G ¹ / ₂			
–			G ¹ / ₂	–	–	G ¹ / ₂ , G ³ / ₄			
–	G ³ / ₄	–	–	G ³ / ₄					
	ESK	–	–	R ¹ / ₈	–	–	R ¹ / ₈ , R ¹ / ₄ , R ³ / ₈	9	
		–	–	R ¹ / ₄	–	–	R ¹ / ₄ , R ³ / ₈ , R ¹ / ₂		
		–	–	R ³ / ₈	–	–	R ³ / ₈ , R ¹ / ₂		
		–	–	R ¹ / ₂	–	–	R ¹ / ₂		
Reducing nipple – Female thread/male thread									
	NPFB-R	M5	–	–	–	G ¹ / ₈	–	15	
		–	G ¹ / ₈	–	–	G ¹ / ₄ , G ³ / ₈			
		–	G ¹ / ₄	–	–	G ³ / ₈			
		–	G ³ / ₈	–	–	G ¹ / ₂			
Reducing nipple – Male thread/female thread									
	NPFB-R	–	G ¹ / ₈	–	M5	–	–	15	
		–	G ¹ / ₄	–	–	G ¹ / ₈			
		–	G ³ / ₈	–	–	G ¹ / ₈ , G ¹ / ₄			
		–	G ¹ / ₂	–	–	G ¹ / ₄ , G ³ / ₈			
		–	G ³ / ₄	–	–	G ¹ / ₂			
	D	M3	–	–	M5	–	–	7	
		M5	–	–	M7	G ¹ / ₈ , G ¹ / ₄			
		M7	–	–	–	G ¹ / ₈			
		–	G ¹ / ₈	–	–	G ¹ / ₄ , G ³ / ₈			
		–	G ¹ / ₄	–	–	G ³ / ₈ , G ¹ / ₂ , G ³ / ₄			
		–	G ³ / ₈	–	–	G ¹ / ₂ , G ³ / ₄			
		–	G ¹ / ₂	–	–	G ³ / ₄ , G1			
		–	G ³ / ₄	–	–	G1			

1) Sealing of the parallel threaded fittings NPFB with thread sealing tape GWB-0,1 Part No. 9076 is recommended.

Threaded fittings

Product range overview

FESTO

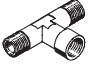
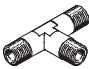
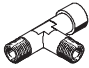
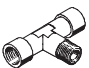




Design	Version	Type	Connection D1			Connection D2			→ Page/ Internet
			M thread	G thread ¹⁾	R thread ¹⁾	M thread	G thread ¹⁾	R thread ¹⁾	
Straight type	Female bulkhead fitting								
		SCM	M5	–	–	–	–	–	9
			–	G1/8	–	–	–	–	
			–	G1/4	–	–	–	–	
			–	G3/8	–	–	–	–	
–			G1/2	–	–	–	–		
L-shape	Elbow fitting – Female thread								
		NPFB-L	M5	–	–	–	–	–	16
			–	G1/8	–	–	–	–	
			–	G1/4	–	–	–	–	
			–	G3/8	–	–	–	–	
			–	G1/2	–	–	–	–	
			–	G3/4	–	–	–	–	
			–	G1	–	–	–	–	
	Elbow fitting – Male thread/female thread								
		NPFB-L	M5	–	–	M5	–	–	16
			–	G1/8	–	–	R1/8	–	
			–	G1/4	–	–	R1/4	–	
			–	G3/8	–	–	R3/8	–	
			–	G1/2	–	–	R1/2	–	
			–	G3/4	–	–	R3/4	–	
			–	G1	–	–	R1	–	
	Elbow fitting – Male thread								
	NPFB-L	M5	–	–	–	–	–	17	
		–	–	–	R1/8	–	–		
		–	–	–	R1/4	–	–		
		–	–	–	R3/8	–	–		
		–	–	–	R1/2	–	–		
		–	–	–	R3/4	–	–		
		–	–	–	R1	–	–		
T-type	T-fitting – Female thread								
		NPFB-T	M5	–	–	–	–	–	17
			–	G1/8	–	–	–	–	
			–	G1/4	–	–	–	–	
			–	G3/8	–	–	–	–	
			–	G1/2	–	–	–	–	
			–	G3/4	–	–	–	–	
	T-fitting – Female thread/male thread/female thread								
		NPFB-T	M5	–	–	M5	–	–	18
			–	G1/8	–	–	R1/8	–	
–			G1/4	–	–	R1/4	–		
–			G3/8	–	–	R3/8	–		
–			G1/2	–	–	R1/2	–		

1) Sealing of the parallel threaded fittings NPFB with thread sealing tape GWB-0,1 Part No. 9076 is recommended.

Threaded fittings

Product range overview

FESTO

Design	Version	Type	Connection D1			Connection D2			→ Page/ Internet	
			M thread	G thread ¹⁾	R thread ¹⁾	M thread	G thread ¹⁾	R thread ¹⁾		
T-type	T-fitting – Female thread/male thread/male thread									
		NPFB-T	–	G 1/8 G 1/4 G 3/8 G 1/2	–	–	–	R 1/8 R 1/4 R 3/8 R 1/2	18	
	T-fitting – Male thread									
		NPFB-T	–	–	R 1/8 R 1/4 R 3/8 R 1/2 R 3/4 R 1	–	–	–	19	
	T-fitting – Male thread/male thread/female thread									
		NPFB-T	–	–	R 1/8 R 1/4 R 3/8 R 1/2	–	G 1/8 G 1/4 G 3/8 G 1/2	–	19	
	T-fitting – Male thread/female thread/female thread									
		NPFB-T	M5	–	– R 1/8 R 1/4 R 3/8 R 1/2 R 3/4 R 1	M5	– G 1/8 G 1/4 G 3/8 G 1/2 G 3/4 G 1	–	20	
	Y-shape	Y-fitting – Female thread								
			NPFB-Y	–	G 1/8 G 1/4 G 3/8 G 1/2	–	–	–	–	20
		Y-fitting – Male thread/female thread/female thread								
			NPFB-Y	–	–	R 1/8 R 1/4 R 3/8 R 1/2	–	G 1/8 G 1/4 G 3/8 G 1/2	–	21
X-shape	X-fitting – Female thread									
		NPFB-X	–	G 1/8 G 1/4 G 3/8 G 1/2	–	–	–	–	21	
	X-fitting – Male thread/female thread/female thread/female thread									
		NPFB-X	–	G 1/8 G 1/4 G 3/8 G 1/2	–	–	–	R 1/8 R 1/4 R 3/8 R 1/2	22	

1) Sealing of the parallel threaded fittings NPFB with thread sealing tape GWB-0,1 Part No. 9076 is recommended.

Threaded fittings

Technical data

Blanking plug B-M3-S9

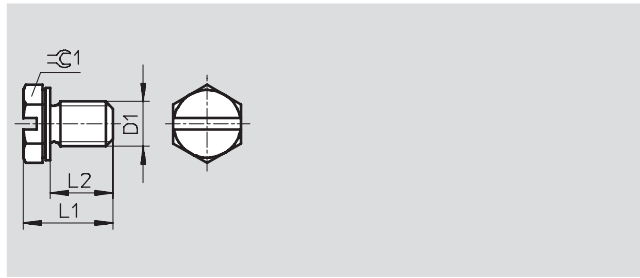
with sealing ring

Material:

High-alloy stainless steel

Note on materials:

Free of copper and PTFE



Blanking plug B-M5

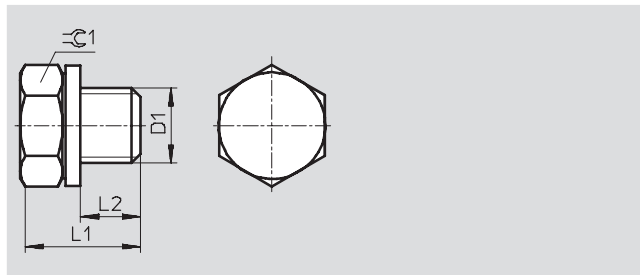
with sealing ring

Material:

Aluminium

Note on materials:

Free of copper and PTFE



Blanking plug B

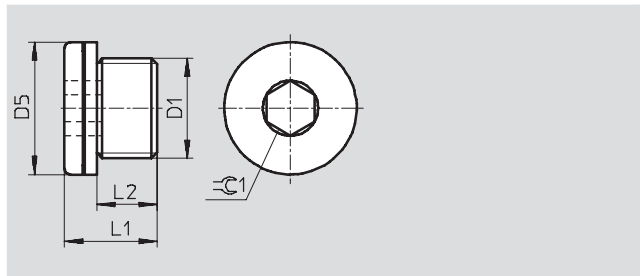
with sealing ring

Material:

Steel

Note on materials:

Free of copper and PTFE



Dimensions and ordering data								
Connection	D5	L1	L2	$\approx \text{C1}$	Weight/piece [g]	Part No.	Type	PU*
D1	\varnothing							
M thread								
M3	–	5.3	2.8	4.5	1	30 979	B-M3-S9 ¹⁾	10
M5	–	7.8	3.8	7	1	3 843	B-M5	10
						534 212	B-M5-100	100
	8	6.3	3.8	2.5	2	174 308	B-M5-B	10
M7	9.5	7.8	5.3	3	2	174 309	B-M7	10
G thread								
G $\frac{1}{8}$	14	11	6.4	5	5	3 568	B- $\frac{1}{8}$ ²⁾	10
						534 213	B- $\frac{1}{8}$ -100 ²⁾	100
G $\frac{1}{4}$	18	15	9.8	6	15	3 569	B- $\frac{1}{4}$ ²⁾	10
						534 214	B- $\frac{1}{4}$ -50 ²⁾	50
G $\frac{3}{8}$	22	15	9.8	8	22	3 570	B- $\frac{3}{8}$ ²⁾	10
						534 215	B- $\frac{3}{8}$ -20 ²⁾	20
G $\frac{1}{2}$	26	18	11.65	10	43	3 571	B- $\frac{1}{2}$ ²⁾	10
						534 216	B- $\frac{1}{2}$ -20 ²⁾	20
G $\frac{3}{4}$	32	20	13.05	12	73	3 572	B- $\frac{3}{4}$ ²⁾	1
G1	39	21	14	17	153	5 763	B-1	1

1) Corrosion and acid resistant version

2) Conforms to RoHS

* Packaging unit quantity

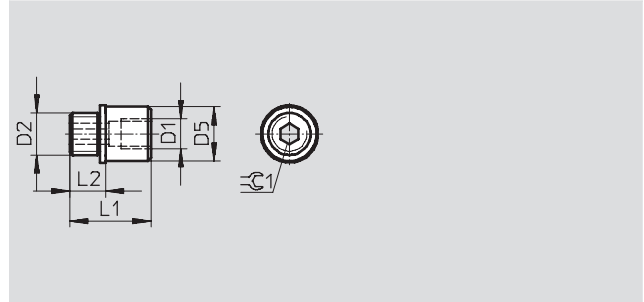
Threaded fittings

Technical data

FESTO

Reducing nipple D with sealing ring

Material:
Brass

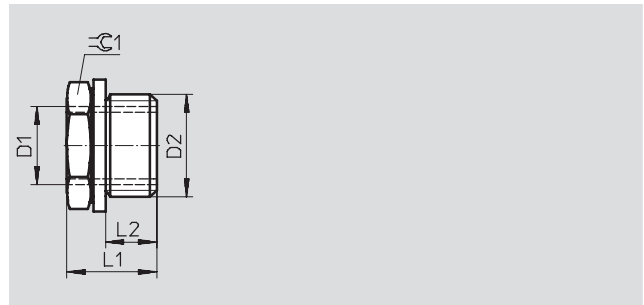


Connection		D5	L1	L2	$\approx C1$	Weight/piece [g]	Part No.	Type	PU*
D1	D2								
M5	M7	9	13.5	6	3	43	161 359	D-M5I-M7A-ISK	10

* Packaging unit quantity

Reducing nipple D with sealing ring

Material:
Brass
D-M3I-M5A-S9:
High-alloy stainless steel



Connection		L1	L2	$\approx C1$	Weight/piece [g]	Part No.	Type	PU*
D1	D2							
M thread								
M3	M5	6.3	3.8	7	1	30 980	D-M3I-M5A-S9 ¹⁾	10
M5	G $\frac{1}{8}$	9.5	4.9	13	10	3 842	D-M5I- $\frac{1}{8}$ A ²⁾	10
6 mm deep						534 208	D-M5I- $\frac{1}{8}$ A-100	100
M5	G $\frac{1}{4}$	12	5.8	17	12	197 632	D-M5I- $\frac{1}{4}$ A	10
M7	G $\frac{1}{8}$	9.5	4.9	13	-	534 144	D-M7I- $\frac{1}{8}$ A	10
G thread								
G $\frac{1}{8}$	G $\frac{1}{4}$	12	5.8	17	8	3 577	D- $\frac{1}{8}$ I- $\frac{1}{4}$ A	10
						534 209	D- $\frac{1}{8}$ I- $\frac{1}{4}$ A-100	100
G $\frac{1}{4}$	G $\frac{3}{8}$	14	6.8	19	-	534 147	D- $\frac{1}{8}$ I- $\frac{3}{8}$ A	10
						3 581	D- $\frac{1}{4}$ I- $\frac{3}{8}$ A	10
G $\frac{1}{4}$	G $\frac{3}{8}$	14	6.8	19	14	534 210	D- $\frac{1}{4}$ I- $\frac{3}{8}$ A-50	50
						197 633	D- $\frac{1}{4}$ I- $\frac{1}{2}$ A	10
G $\frac{3}{8}$	G $\frac{3}{4}$	20.4	9.05	32	-	534 145	D- $\frac{1}{4}$ I- $\frac{3}{4}$ A	10
						25	3 585	D- $\frac{3}{8}$ I- $\frac{1}{2}$ A
G $\frac{3}{8}$	G $\frac{1}{2}$	15.5	8.15	24	25	534 211	D- $\frac{3}{8}$ I- $\frac{1}{2}$ A-20	20
						-	534 146	D- $\frac{3}{8}$ I- $\frac{3}{4}$ A
G $\frac{1}{2}$	G $\frac{3}{4}$	20.4	14	32	45	3 588	D- $\frac{1}{2}$ I- $\frac{3}{4}$ A	1
						110	197 634	D- $\frac{1}{2}$ I-1A
G $\frac{3}{4}$	G1	21	13	36	55	9 168	D- $\frac{3}{4}$ I-1A	1

1) Corrosion and acid resistant version
2) Free of copper and PTFE

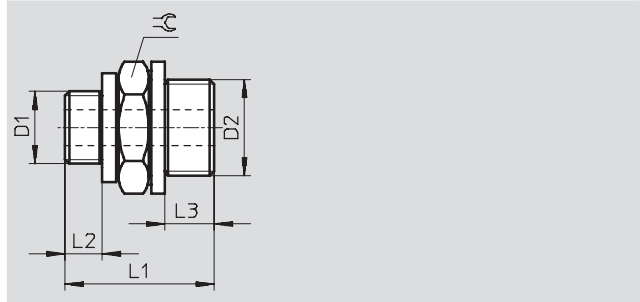
* Packaging unit quantity

Threaded fittings

Technical data

FESTO

Double nipple E
with 2 sealing rings



Dimensions and ordering data										
Connection		Nominal size	L1	L2	L3	∅	Weight/piece [g]	Part No.	Type	PU*
D1	D2									
M thread – High-alloy steel										
M3	M3	1.7	10	2.8	2.8	4.5	1	30 987	E-M3-M3-S9 ^{1) 2)}	10
M thread – Steel										
M5	M5	2.5	12.6	3.8	3.8	7	2	4 139	E-M5-M5 ²⁾	10
	G ¹ / ₈	2.5	15.3	3.8	4.9	13	1	4 138	E-M5- ¹ / ₈ ²⁾	10
								534 204	E-M5- ¹ / ₈ -100 ²⁾	100
G thread – Aluminium										
G ¹ / ₈	G ¹ / ₈	4.5	17	4.9	4.9	13	1	3 573	E- ¹ / ₈ - ¹ / ₈ ²⁾	10
	G ¹ / ₄	4.5	19.5	4.9	5.8	17	1	3 574	E- ¹ / ₈ - ¹ / ₄ ²⁾	10
								534 205	E- ¹ / ₈ - ¹ / ₄ -100 ²⁾	100
G ¹ / ₄	G ¹ / ₄	6.5	21	5.8	5.8	17	1	3 575	E- ¹ / ₄ - ¹ / ₄ ²⁾	10
	G ³ / ₈	6.5	22	5.8	6.8	19	10	3 576	E- ¹ / ₄ - ³ / ₈ ²⁾	10
								534 206	E- ¹ / ₄ - ³ / ₈ -50 ²⁾	50
G ³ / ₈	G ³ / ₈	9.0	23	6.8	6.8	19	10	3 578	E- ³ / ₈ - ³ / ₈ ²⁾	10
	G ¹ / ₂	9.0	26.5	6.8	8.15	24	20	3 579	E- ³ / ₈ - ¹ / ₂ ²⁾	1
								534 207	E- ³ / ₈ - ¹ / ₂ -20 ²⁾	20
G ¹ / ₂	G ¹ / ₂	13.0	28	8.15	8.15	24	20	3 580	E- ¹ / ₂ - ¹ / ₂ ²⁾	1
	G ³ / ₄	13.0	30.5	8.5	9.05	32	35	3 582	E- ¹ / ₂ - ³ / ₄ ²⁾	1
G ³ / ₄	G ³ / ₄	18.0	32	9.5	9.05	32	30	3 584	E- ³ / ₄ - ³ / ₄ ²⁾	1
M thread – Brass										
M7	G ¹ / ₈	4.5	17.7	5.3	4.9	13		534 148	E-M7- ¹ / ₈ -MS	10
G thread – Brass										
G ¹ / ₈	G ¹ / ₈	4.5	17	4.9	4.9	13	10	15 621	E- ¹ / ₈ - ¹ / ₈ -MS	10
	G ¹ / ₄	4.5	19.5	4.9	5.8	17	20	15 622	E- ¹ / ₈ - ¹ / ₄ -MS	10
	G ³ / ₈	5.3	20.4	4.9	6.8	19	25	534 150	E- ¹ / ₈ - ³ / ₈ -MS	10
G ¹ / ₄	G ¹ / ₄	6.5	21	5.8	5.8	17	20	15 623	E- ¹ / ₄ - ¹ / ₄ -MS	10
	G ³ / ₈	6.5	22	5.8	6.8	19	30	15 624	E- ¹ / ₄ - ³ / ₈ -MS	10
	G ¹ / ₂	8	25.5	5.8	8.15	24	30	534 149	E- ¹ / ₄ - ¹ / ₂ -MS	10
G ³ / ₈	G ³ / ₈	9	23	6.8	6.8	19	30	15 625	E- ³ / ₈ - ³ / ₈ -MS	10
	G ¹ / ₂	9	26.5	6.8	8.15	24	53	15 626	E- ³ / ₈ - ¹ / ₂ -MS	1
G ¹ / ₂	G ¹ / ₂	13	28	8.15	8.15	24	52	15 627	E- ¹ / ₂ - ¹ / ₂ -MS	1
	G ³ / ₄	13	30.5	8.15	9.05	32	100	15 628	E- ¹ / ₂ - ³ / ₄ -MS	1
G ³ / ₄	G ³ / ₄	18	32	9.05	9.05	32	100	15 629	E- ³ / ₄ - ³ / ₄ -MS	1

1) Corrosion and acid resistant version
2) Free of copper and PTFE

* Packaging unit quantity

Threaded fittings

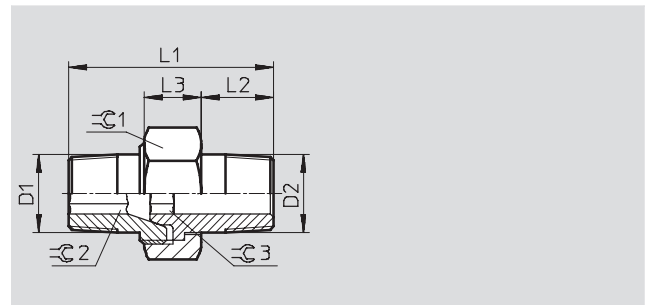
Technical data

Double nipple ESK

adjustable for angular compensation

Material:

Brass



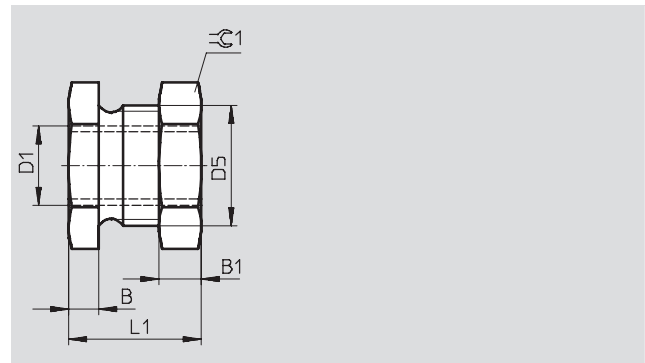
Dimensions and ordering data										
Connection		L1	L2	L3	⊖C 1	⊖C 2	⊖C 3	Part No.	Type	PU*
D1	D2									
R $\frac{1}{8}$	R $\frac{1}{8}$	27	9	8.5	15	5	5	151 520	ESK- $\frac{1}{8}$ - $\frac{1}{8}$	1
	R $\frac{1}{4}$	30.6	12	9.5	19	5	6	534 151	ESK- $\frac{1}{8}$ - $\frac{1}{4}$	1
	R $\frac{3}{8}$	34.5	13	10	22	5	8	534 155	ESK- $\frac{1}{8}$ - $\frac{3}{8}$	1
R $\frac{1}{4}$	R $\frac{1}{4}$	34	12	9.5	19	6	6	151 521	ESK- $\frac{1}{4}$ - $\frac{1}{4}$	1
	R $\frac{3}{8}$	36	13	10	22	6	8	534 152	ESK- $\frac{1}{4}$ - $\frac{3}{8}$	1
	R $\frac{1}{2}$	40.5	16	12	27	6	12	534 153	ESK- $\frac{1}{4}$ - $\frac{1}{2}$	1
R $\frac{3}{8}$	R $\frac{3}{8}$	36	13	10	22	8	8	151 522	ESK- $\frac{3}{8}$ - $\frac{3}{8}$	1
	R $\frac{1}{2}$	44	16	12	27	8	12	534 154	ESK- $\frac{3}{8}$ - $\frac{1}{2}$	1
R $\frac{1}{2}$	R $\frac{1}{2}$	44	16	12	27	12	12	151 523	ESK- $\frac{1}{2}$ - $\frac{1}{2}$	1

* Packaging unit quantity

Female bulkhead connector SCM

Material:

Blue anodised aluminium



Dimensions and ordering data									
Connection	D5	B	B1	L1	⊖C 1	Weight/piece [g]	Part No.	Type	PU*
D1									
M5	M10x1	4	3.5	15.5	13	5	9 969	SCM-M5	1
G $\frac{3}{8}$	M14x1.5	5	5	20	17	10	9 970	SCM- $\frac{3}{8}$	1
G $\frac{1}{4}$	M20x1.5	5	7	22	24	28	9 971	SCM- $\frac{1}{4}$	1
G $\frac{3}{8}$	M24x1.5	8	8.5	26.5	27	34	9 972	SCM- $\frac{3}{8}$	1
G $\frac{1}{2}$	M30x1.5	8	10.5	28.5	36	78	9 973	SCM- $\frac{1}{2}$	1

* Packaging unit quantity

Threaded fittings

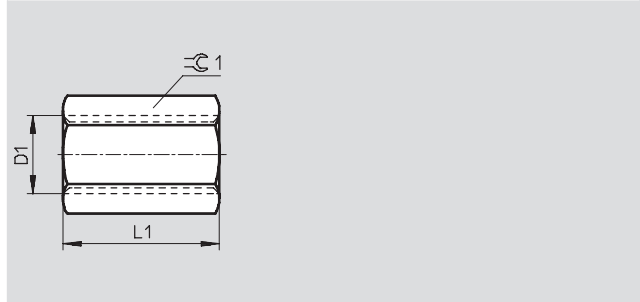
Technical data

FESTO

Pipe coupling sleeve QM

Material:
Blue anodised aluminium
QM-M5-M5:
Steel

Note on materials:
Free of copper and PTFE
Conforms to RoHS



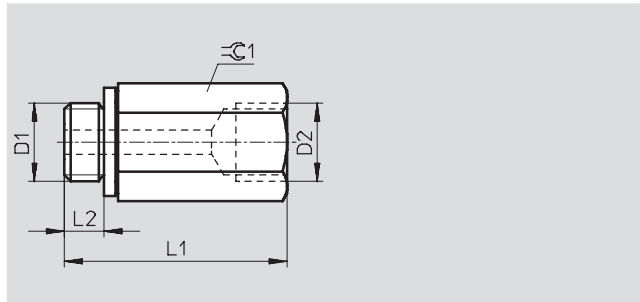
Dimensions and ordering data							
Connection	L1	$\approx \text{C} 1$	Weight/piece [g]	Part No.	Type	PU*	
M5	12	7	1	3 560	QM-M5-M5	10	
G $\frac{1}{8}$	22	13	6	2 254	QM- $\frac{1}{8}$ - $\frac{1}{8}$	10	
G $\frac{1}{4}$	26	17	9	2 255	QM- $\frac{1}{4}$ - $\frac{1}{4}$	10	
G $\frac{3}{8}$	32	22	19	2 256	QM- $\frac{3}{8}$ - $\frac{3}{8}$	10	
G $\frac{1}{2}$	36	27	31	2 257	QM- $\frac{1}{2}$ - $\frac{1}{2}$	1	
G $\frac{3}{4}$	36	32	36	4 226	QM- $\frac{3}{4}$ - $\frac{3}{4}$	1	
G1	40	41	80	9 968	QM-1-1	1	

* Packaging unit quantity

Pipe coupling sleeve QM with sealing ring

Material:
Blue anodised aluminium
QM-M5-A/I:
Steel

Note on materials:
Free of copper and PTFE



Dimensions and ordering data								
Connection	D2	L1	L2	$\approx \text{C} 1$	Weight/piece [g]	Part No.	Type	PU*
M5	M5	18.5	3.8	7	4	36 169	QM-M5-A/I	10
G $\frac{1}{8}$	G $\frac{1}{8}$	25.6	4.9	13	7	36 170	QM- $\frac{1}{8}$ -A/I	10
G $\frac{1}{4}$	G $\frac{1}{4}$	36	5.8	17	15	36 171	QM- $\frac{1}{4}$ -A/I	10
G $\frac{3}{8}$	G $\frac{3}{8}$	37.8	6.8	19	16	36 172	QM- $\frac{3}{8}$ -A/I	10
G $\frac{1}{2}$	G $\frac{1}{2}$	49	8.15	24	36	187 387	QM- $\frac{1}{2}$ -A/I	1

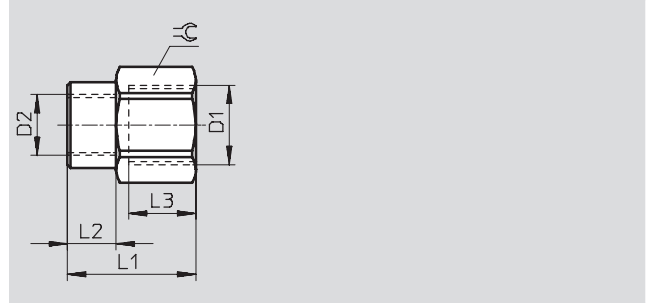
* Packaging unit quantity

Threaded fittings

Technical data

Reducing sleeve QMR

Material:
Nickel plated brass



Dimensions and ordering data									
Connection		L1	L2	L3	⌀	Weight/piece [g]	Part No.	Type	PU*
D1	D2								
M thread									
G $\frac{1}{8}$	M5	17	7	7	14	12	153 281	QMR- $\frac{1}{8}$ -M5-B	10
G thread									
G $\frac{1}{4}$	G $\frac{1}{8}$	21	8	9	17	22	153 282	QMR- $\frac{1}{4}$ - $\frac{1}{8}$ -B	10
G $\frac{3}{8}$	G $\frac{1}{4}$	25	11	11	21	34	153 283	QMR- $\frac{3}{8}$ - $\frac{1}{4}$ -B	10
G $\frac{1}{2}$	G $\frac{3}{8}$	33	14	14	24	55	153 284	QMR- $\frac{1}{2}$ - $\frac{3}{8}$ -B	1

* Packaging unit quantity

Threaded fittings NPFB

Technical data

Sleeve NPFB-S

Operating pressure:

-0.95 ... +40 bar

Ambient temperature:

-20 ... +150 °C

Operating medium:

Suitable for compressed air and vacuum

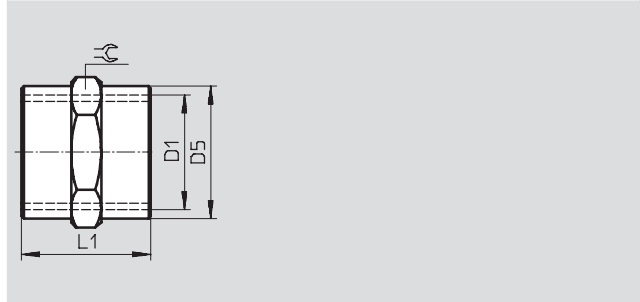
Material:

Nickel-plated brass

Note on material:

Conforms to RoHS

Contains paint wetting impairment substances



Dimensions and ordering data							
Connection	D5	L1	⌀	Weight/piece [g]	Part No.	Type	PU*
D1	Ø						
M thread							
M5	7.5	11	8	3	547 809	NPFB-S-2M5-F	10
G thread							
G $\frac{1}{8}$	13.8	15	14	11	547 810	NPFB-S-2G18-F	10
G $\frac{1}{4}$	16.8	22	17	20	547 811	NPFB-S-2G14-F	10
G $\frac{3}{8}$	21.8	24	22	38	547 812	NPFB-S-2G38-F	10
G $\frac{1}{2}$	25.5	30	26	55	547 813	NPFB-S-2G12-F	10
G $\frac{3}{4}$	31.5	32	32	91	547 814	NPFB-S-2G34-F	10

* Packaging unit quantity

Reducing sleeve NPFB-R

Operating pressure:

-0.95 ... +40 bar

Ambient temperature:

-20 ... +150 °C

Operating medium:

Suitable for compressed air and vacuum

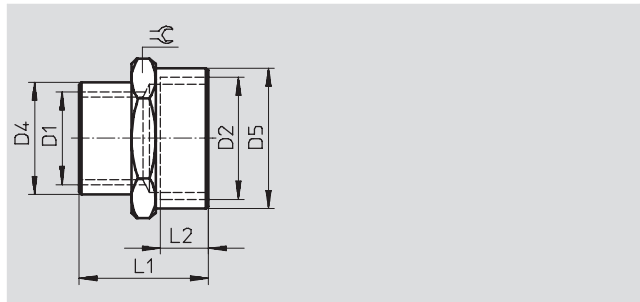
Material:

Nickel-plated brass

Note on material:

Conforms to RoHS

Contains paint wetting impairment substances



Dimensions and ordering data										
Connection	D2	D4	D5	L1	L2	⌀	Weight/piece [g]	Part No.	Type	PU*
D1	Ø	Ø	Ø							
G $\frac{1}{8}$	G $\frac{3}{8}$	13.8	21.8	20	10	22	30	547 815	NPFB-R-G38-G18-F	10
G $\frac{1}{2}$	G $\frac{3}{4}$	25.5	31.5	30	13	32	83	547816	NPFB-R-G34-G12-F	10

* Packaging unit quantity

Threaded fittings NPFB

Technical data

Extension NPFB-E...

Operating pressure:

-0.95 ... +40 bar

Ambient temperature:

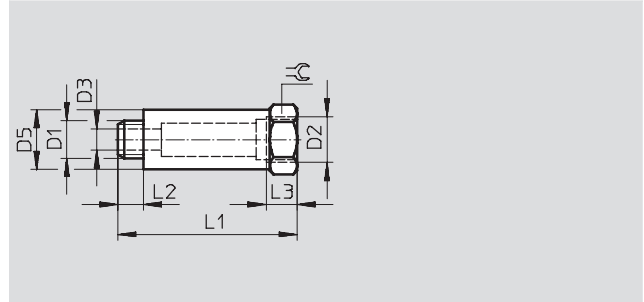
-20 ... +150 °C

Operating medium:

Suitable for compressed air and vacuum

Material:

Nickel-plated brass



Note on material:

Conforms to RoHS

Contains paint wetting impairment substances

Dimensions and ordering data											
Connection		D3	D5	L1	L2	L3	≅	Weight/piece	Part No.	Type	PU*
D1	D2	∅	∅					[g]			
E1											
G1/8	G1/8	5	13.5	22	6	6.5	14	17	547 822	NPFB-E1-2G18-FM	10
G1/4	G1/4	7	16.5	28	8	10	17	28	547 823	NPFB-E1-2G14-FM	10
G3/8	G3/8	11	21.8	32	9	10	22	40	547 824	NPFB-E1-2G38-FM	10
G1/2	G1/2	14	25.5	35	10	11	26	55	547 825	NPFB-E1-2G12-FM	10
E2											
G1/8	G1/8	5	13.5	32	6	6.5	14	25	547 826	NPFB-E2-2G18-FM	10
G1/4	G1/4	7	16.5	35	8	10	17	35	547 827	NPFB-E2-2G14-FM	10
E3											
G1/8	G1/8	5	13.5	42	6	6.5	14	32	547 828	NPFB-E3-2G18-FM	10
G1/4	G1/4	7	16.5	51	8	10	17	51	547 829	NPFB-E3-2G14-FM	10
E4											
G1/8	G1/8	5	13.5	51	6	6.5	14	40	547 830	NPFB-E4-2G18-FM	10

* Packaging unit quantity

Threaded fittings NPFB

Technical data

Double nipple NPFB-D

Operating pressure:

-0.95 ... +40 bar

Ambient temperature:

-20 ... +150 °C

Operating medium:

Suitable for compressed air and vacuum

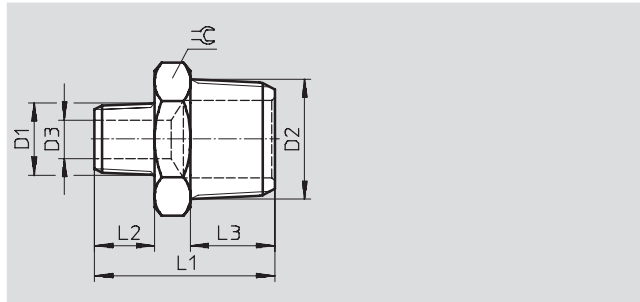
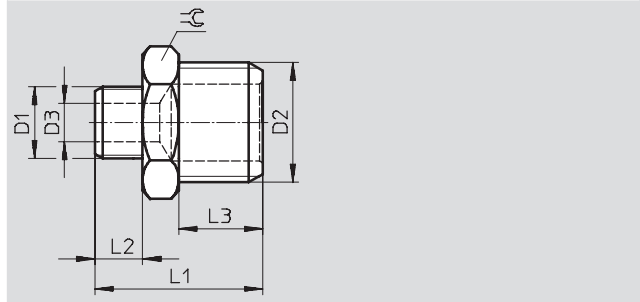
Material:

Nickel-plated brass

Note on material:

Conforms to RoHS

Contains paint wetting impairment substances



Dimensions and ordering data										
Connection		D3	L1	L2	L3	⌀	Weight/piece	Part No.	Type	PU*
D1	D2	∅					[g]			
M thread										
M5	M5	2	11.5	4	4	8	3	550 036	NPFB-D-2M5-M	10
M7	G $\frac{3}{8}$	4	14.5	4	6	14	7	547 799	NPFB-D-M7-G18-M	10
G thread										
G $\frac{3}{8}$	G $\frac{1}{8}$	5.5	16.5	6	6	14	10	547 800	NPFB-D-2G18-M	10
	G $\frac{1}{4}$	5.5	19	6	8	17	16	547 801	NPFB-D-G18-G14-M	10
	G $\frac{3}{8}$	5.5	20	6	9	19	21	547 802	NPFB-D-G18-G38-M	10
G $\frac{1}{4}$	G $\frac{1}{4}$	8	21	8	8	17	17	547 803	NPFB-D-2G14-M	10
	G $\frac{3}{8}$	8	22	8	9	19	23	547 804	NPFB-D-G14-G38-M	10
	G $\frac{1}{2}$	8	23.5	8	10	24	36	547 805	NPFB-D-G14-G12-M	10
G $\frac{3}{8}$	G $\frac{3}{8}$	11	23	9	9	19	24	547 806	NPFB-D-2G38-M	10
	G $\frac{1}{2}$	11	24.5	9	10	24	37	547 807	NPFB-D-G38-G12-M	10
G $\frac{1}{2}$	G $\frac{1}{2}$	14	25.5	10	10	24	38	547 808	NPFB-D-2G12-M	10
R thread										
R $\frac{3}{8}$	R $\frac{1}{8}$	5	20	8	8	12	11	547 787	NPFB-D-2R18-M	10
	R $\frac{1}{4}$	5	24	8	11	14	17	547 788	NPFB-D-R18-R14-M	10
	R $\frac{3}{8}$	5.5	24.5	8	11.5	17	23	547 789	NPFB-D-R18-R38-M	10
R $\frac{1}{4}$	R $\frac{1}{4}$	8	27	11	11	14	21	547 790	NPFB-D-2R14-M	10
	R $\frac{3}{8}$	8	27.5	11	11.5	17	27	547 791	NPFB-D-R14-R38-M	10
	R $\frac{1}{2}$	8	30.5	11	14	22	44	547 792	NPFB-D-R14-R12-M	10
R $\frac{3}{8}$	R $\frac{3}{8}$	11	28	11.5	11.5	17	30	547 793	NPFB-D-2R38-M	10
	R $\frac{1}{2}$	11	31	11.5	14	22	47	547 794	NPFB-D-R38-R12-M	10
R $\frac{1}{2}$	R $\frac{1}{2}$	14	33.5	14	14	22	56	547 795	NPFB-D-2R12-M	10
	R $\frac{3}{4}$	14	37.5	14	16.5	27	84	547 796	NPFB-D-R12-R34-M	10
R $\frac{3}{4}$	R $\frac{3}{4}$	18.5	40	16.5	16.5	27	97	547 797	NPFB-D-2R34-M	10
R1	R1	24.5	45.5	19	19	34	158	547 798	NPFB-D-2R1-M	10

* Packaging unit quantity

Threaded fittings NPFB

Technical data

Reducing nipple NPFB-R

Operating pressure:

-0.95 ... +40 bar

Ambient temperature:

-20 ... +150 °C

Operating medium:

Suitable for compressed air and vacuum

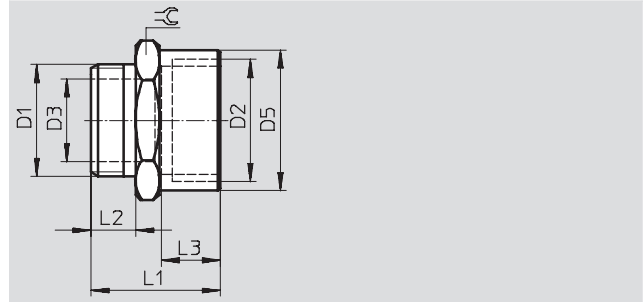
Material:

Nickel-plated brass

Note on material:

Conforms to RoHS

Contains paint wetting impairment substances



Dimensions and ordering data											
Connection		D3	D5	L1	L2	L3	≡C	Weight/piece	Part No.	Type	PU*
D1	D2	∅	∅					[g]			
M5	G1/8	2	13.8	15.5	4	6.5	14	11	547 817	NPFB-R-G18-M5-FM	10
G1/8	G1/4	5.5	16.8	20.5	6	8	17	19	547 818	NPFB-R-G14-G18-FM	10
	G3/8	5.5	21.8	23	6	10	22	35	547 819	NPFB-R-G38-G18-FM	10
G1/4	G3/8	8	21.8	24	8	10	22	35	547 820	NPFB-R-G38-G14-FM	10
G3/8	G1/2	11	25.5	29.5	9	11	26	51	547 821	NPFB-R-G12-G38-FM	10

* Packaging unit quantity

Reducing nipple NPFB-R

Operating pressure:

-0.95 ... +40 bar

Ambient temperature:

-20 ... +150 °C

Operating medium:

Suitable for compressed air and vacuum

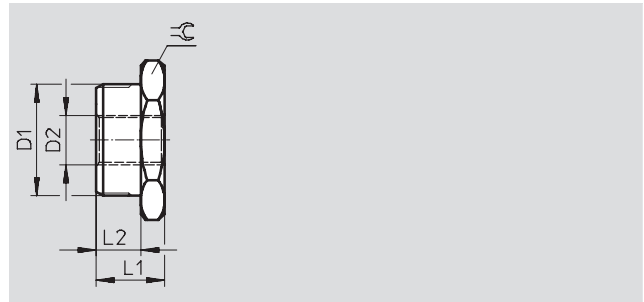
Material:

Nickel-plated brass

Note on material:

Conforms to RoHS

Contains paint wetting impairment substances



Dimensions and ordering data											
Connection		L1	L2	≡C	Weight/piece	Part No.	Type	PU*			
D1	D2				[g]						
G1/8	M5	10.5	6	14	8	547 831	NPFB-R-G18-M5-MF	10			
G1/4	G1/8	13	8	17	13	547 832	NPFB-R-G14-G18-MF	10			
G3/8	G1/8	14	9	19	22	547 833	NPFB-R-G38-G18-MF	10			
	G1/4	14	9	19	16	547 834	NPFB-R-G38-G14-MF	10			
G1/2	G1/4	15.5	10	24	35	547 835	NPFB-R-G12-G14-MF	10			
	G3/8	15.5	10	24	28	547 836	NPFB-R-G12-G38-MF	10			
G3/4	G1/2	18	12	27	44	547 837	NPFB-R-G34-G12-MF	10			

* Packaging unit quantity

Threaded fittings NPFB

Technical data

Elbow fitting NPFB-L

Operating pressure:

-0.95 ... +40 bar

Ambient temperature:

-20 ... +150 °C

Operating medium:

Suitable for compressed air and vacuum

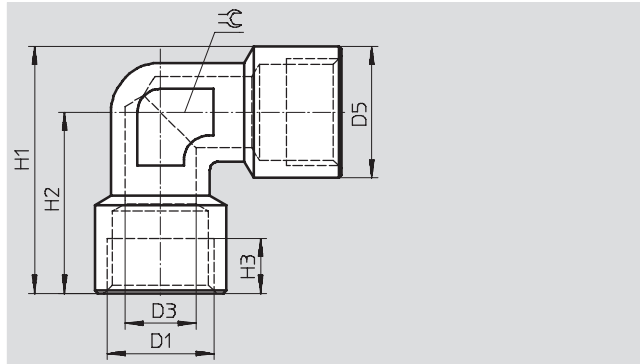
Material:

Nickel-plated brass

Note on material:

Conforms to RoHS

Contains paint wetting impairment substances



Dimensions and ordering data

Connection D1	D3 ∅	D5 ∅	H1	H2	H3	⊖	Weight/piece [g]	Part No.	Type	PU*
M5	4.2	8.5	15.25	11	4	9	31	547 715	NPFB-L-2M5-F	10
G ¹ / ₈	6	13	26.5	20	7	10	19	547 716	NPFB-L-2G18-F	10
G ¹ / ₄	9	16	33.5	25.5	8	13	31	547 717	NPFB-L-2G14-F	10
G ³ / ₈	10	20.5	39.25	29	10	17	61	547 718	NPFB-L-2G38-F	10
G ¹ / ₂	14	25.5	47.75	35	11	20	115	547 719	NPFB-L-2G12-F	10
G ³ / ₄	19	32	52.5	36.5	16.5	25	145	547 720	NPFB-L-2G34-F	10
G1	24	39	64.5	45	19	30	245	547 721	NPFB-L-2G1-F	10

* Packaging unit quantity

Elbow fitting NPFB-L

Operating pressure:

-0.95 ... +40 bar

Ambient temperature:

-20 ... +150 °C

Operating medium:

Suitable for compressed air and vacuum

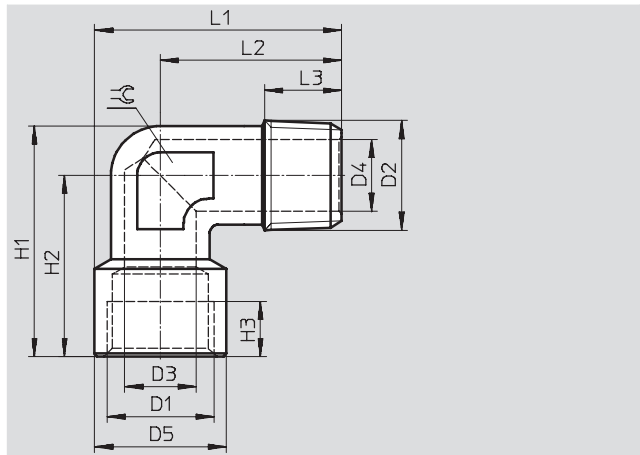
Material:

Nickel-plated brass

Note on material:

Conforms to RoHS

Contains paint wetting impairment substances



Dimensions and ordering data

Connection D1	D2	D3 ∅	D4 ∅	D5 ∅	L1	L2	L3	H1	H2	H3	⊖	Weight/piece [g]	Part No.	Type	PU*
M5	M5	4.2	2	7.5	15.25	11.5	4	17	13.5	4	9	6	547 722	NPFB-L-2M5-MF	10
G ¹ / ₈	R ¹ / ₈	6	5.5	13	25.5	19	8	25	20	7	10	18	547 723	NPFB-L-R18-G18-MF	10
G ¹ / ₄	R ¹ / ₄	9	8	16	32	24	12.5	32	25.5	8	13	32	547 724	NPFB-L-R14-G14-MF	10
G ³ / ₈	R ³ / ₈	10	11	20.5	36.75	26.5	13.6	37.5	29	10	17	55	547 725	NPFB-L-R38-G38-MF	10
G ¹ / ₂	R ¹ / ₂	14	14	25.5	44.25	31.5	15.5	45.5	35	11	20	99	547 726	NPFB-L-R12-G12-MF	10
G ³ / ₄	R ³ / ₄	19	19	32	49	33	16	49.75	36.5	16.5	25	120	547 727	NPFB-L-R34-G34-MF	10
G1	R1	24	24	39	58.5	39	17	60.5	45	19	30	212	547 728	NPFB-L-R1-G1-MF	10

* Packaging unit quantity

Threaded fittings NPFB

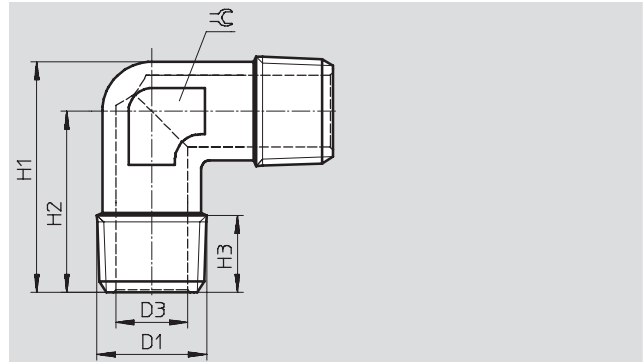
Technical data

Elbow fitting NPFB-L

Operating pressure:
-0.95 ... +40 bar
Ambient temperature:
-20 ... +150 °C
Operating medium:
Suitable for compressed air and vacuum

Material:
Nickel-plated brass

Note on material:
Conforms to RoHS
Contains paint wetting impairment substances



Dimensions and ordering data										
Connection	D3	H1	H2	H3	∅	Weight/piece [g]	Part No.	Type	PU*	
D1	∅									
M5	2	15.5	11.5	4	9	8	547 729	NPFB-L-2M5-M	10	
R $\frac{3}{8}$	5.5	24	19	8	10	14	547 730	NPFB-L-2R18-M	10	
R $\frac{1}{4}$	8	30.5	24	12.5	13	29	547 731	NPFB-L-2R14-M	10	
R $\frac{3}{8}$	11	34.8	26.5	13.6	17	45	547 732	NPFB-L-2R38-M	10	
R $\frac{1}{2}$	14	42	31.5	15.5	20	83	547 733	NPFB-L-2R12-M	10	
R $\frac{3}{4}$	19	46	33	16	25	100	547 734	NPFB-L-2R34-M	10	
R1	24	54.5	39	17	30	174	547 735	NPFB-L-2R1-M	10	

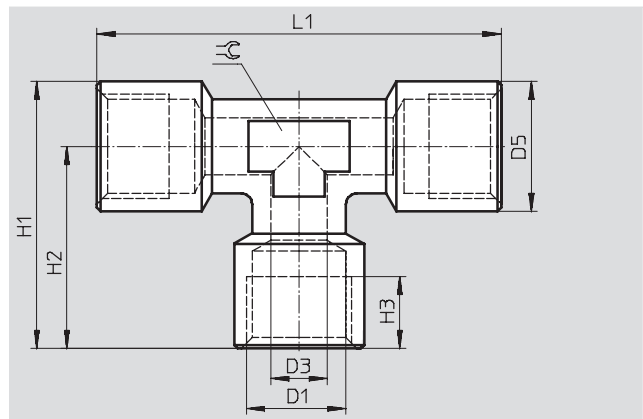
* Packaging unit quantity

T-fitting NPFB-T

Operating pressure:
-0.95 ... +40 bar
Ambient temperature:
-20 ... +150 °C
Operating medium:
Suitable for compressed air and vacuum

Material:
Nickel-plated brass

Note on material:
Conforms to RoHS
Contains paint wetting impairment substances



Dimensions and ordering data											
Connection	D3	D5	L1	H1	H2	H3	∅	Weight/piece [g]	Part No.	Type	PU*
D1	∅	∅									
M5	4.2	8.5	22	15.25	11	5	9	10	547 744	NPFB-T-3M5-F	10
G $\frac{3}{8}$	6	13	40	26.5	20	7	10	27	547 745	NPFB-T-3G18-F	10
G $\frac{1}{4}$	9	16	51	33.5	25.5	8	13	44	547 746	NPFB-T-3G14-F	10
G $\frac{3}{8}$	10	21	58	39.5	29	10	17	85	547 747	NPFB-T-3G38-F	10
G $\frac{1}{2}$	15	26.2	70	48.1	35	11	20	151	547 748	NPFB-T-3G12-F	10
G $\frac{3}{4}$	19	32	73	52.5	36.5	16.5	25	194	547 749	NPFB-T-3G34-F	10
G1	24	39	90	64.5	45	19	30	326	547 750	NPFB-T-3G1-F	10

* Packaging unit quantity

Threaded fittings NPFB

Technical data

T-fitting NPFB-T

Operating pressure:

-0.95 ... +40 bar

Ambient temperature:

-20 ... +150 °C

Operating medium:

Suitable for compressed air and vacuum

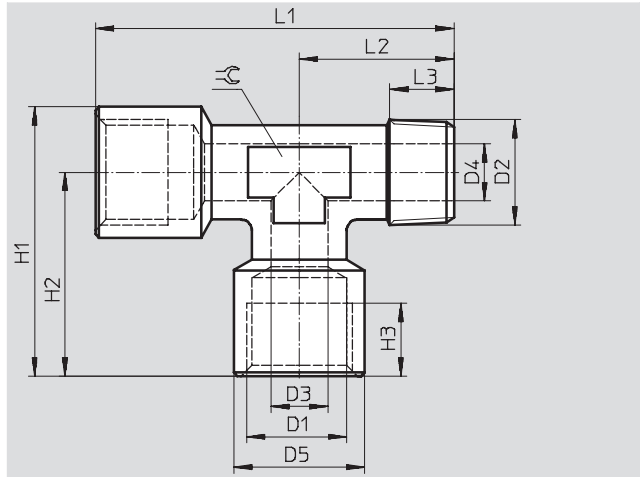
Material:

Nickel-plated brass

Note on material:

Conforms to RoHS

Contains paint wetting impairment substances



Dimensions and ordering data															
Connection		D3	D4	D5	L1	L2	L3	H1	H2	H3	⌀	Weight/piece [g]	Part No.	Type	PU*
D1	D2	∅	∅	∅											
M5	M5	4.2	2	8.5	22.5	12	4	15.25	11	5	9	8	547 758	NPFB-T-3M5-FMF	10
G ¹ / ₈	R ¹ / ₈	6	5.5	13	39	19	8	26.5	20	7	10	26	547 759	NPFB-T-2G18-R18-FMF	10
G ¹ / ₄	R ¹ / ₄	9	8	16	49.5	24	11	33.5	25.5	8	13	46	547 760	NPFB-T-2G14-R14-FMF	10
G ³ / ₈	R ³ / ₈	10	11	20.5	55.5	26.5	13.6	39.25	29	10	17	82	547 761	NPFB-T-2G38-R38-FMF	10
G ¹ / ₂	R ¹ / ₂	15	15	25.5	66.5	31.5	15.5	47.75	35	11	20	133	547 762	NPFB-T-2G12-R12-FMF	10
G ³ / ₄	R ³ / ₄	19	19	32	69.5	33	16	52.5	36.5	16.5	25	172	547 763	NPFB-T-2G34-R34-FMF	10
G1	R1	24	24	39	84	39	17.5	64.5	45	19	30	298	547 764	NPFB-T-2G1-R1-FMF	10

* Packaging unit quantity

T-fitting NPFB-T

Operating pressure:

-0.95 ... +40 bar

Ambient temperature:

-20 ... +150 °C

Operating medium:

Suitable for compressed air and vacuum

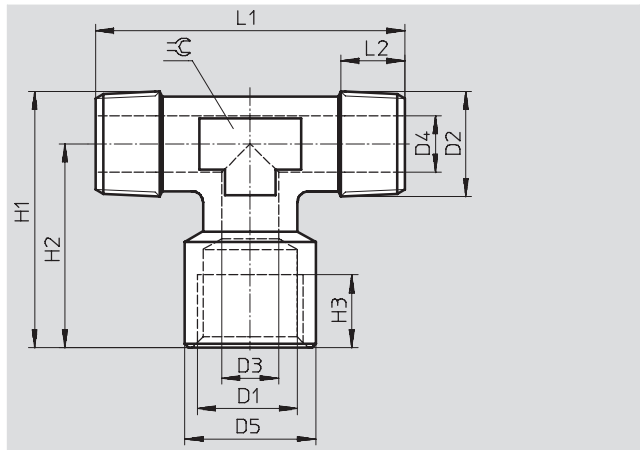
Material:

Nickel-plated brass

Note on material:

Conforms to RoHS

Contains paint wetting impairment substances



Dimensions and ordering data														
Connection		D3	D4	D5	L1	L2	H1	H2	H3	⌀	Weight/piece [g]	Part No.	Type	PU*
D1	D2	∅	∅	∅										
G ¹ / ₈	R ¹ / ₈	5.5	6	13	38	8	24.9	20	7	10	23	547 771	NPFB-T-G18-2R18-FMM	10
G ¹ / ₄	R ¹ / ₄	8	9	16	48	12.5	32	25.5	8	13	43	547 772	NPFB-T-G14-2R14-FMM	10
G ³ / ₈	R ³ / ₈	11	10	20.5	53	13.6	37.5	29	10	17	72	547 773	NPFB-T-G38-2R38-FMM	10
G ¹ / ₂	R ¹ / ₂	15	15	25.5	63	15.5	45.7	35	11	20	118	547 774	NPFB-T-G12-2R12-FMM	10

* Packaging unit quantity

Threaded fittings NPFB

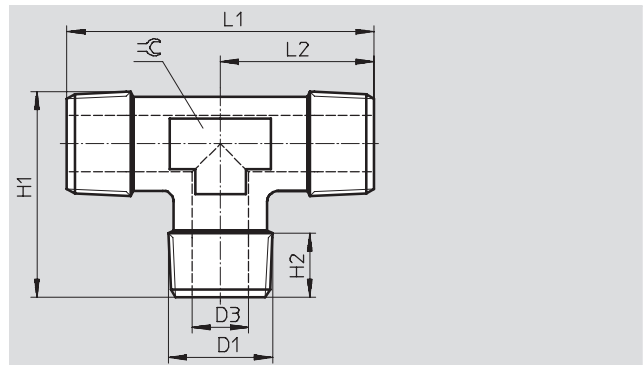
Technical data

T-fitting NPFB-T

Operating pressure:
 -0.95 ... +40 bar
 Ambient temperature:
 -20 ... +150 °C
 Operating medium:
 Suitable for compressed air and vacuum

Material:
 Nickel-plated brass

Note on material:
 Conforms to RoHS
 Contains paint wetting impairment substances



Dimensions and ordering data										
Connection	D3	L1	L2	H1	H2	⌀	Weight/piece [g]	Part No.	Type	PU*
D1	∅									
R $\frac{1}{8}$	5.5	38	19	23.9	8	10	20	547 765	NPFB-T-3R18-M	10
R $\frac{1}{4}$	8	48	24	30.6	12.5	13	41	547 766	NPFB-T-3R14-M	10
R $\frac{3}{8}$	11	53	26.5	34.8	13.6	17	62	547 767	NPFB-T-3R38-M	10
R $\frac{1}{2}$	15	63	31.5	42.2	15.5	20	101	547 768	NPFB-T-3R12-M	10
R $\frac{3}{4}$	19	66.4	33.2	45	16.2	25	134	547 769	NPFB-T-3R34-M	10
R1	24	78	39	54.2	17.5	30	236	547 770	NPFB-T-3R1-M	10

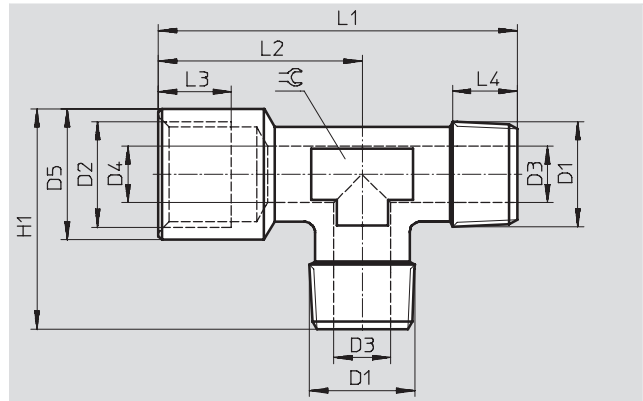
* Packaging unit quantity

T-fitting NPFB-T

Operating pressure:
 -0.95 ... +40 bar
 Ambient temperature:
 -20 ... +150 °C
 Operating medium:
 Suitable for compressed air and vacuum

Material:
 Nickel-plated brass

Note on material:
 Conforms to RoHS
 Contains paint wetting impairment substances



Dimensions and ordering data														
Connection	D3	D4	D5	L1	L2	L3	L4	H1	⌀	Weight/piece [g]	Part No.	Type	PU*	
D1	D2	∅	∅	∅										
R $\frac{1}{8}$	G $\frac{1}{8}$	6	5.5	13	39	20	7	8	25.5	10	24	547 775	NPFB-T-2R18-G18-MMF	10
R $\frac{1}{4}$	G $\frac{1}{4}$	9	8	16	49.5	25.5	8	12.5	32	13	43	547 776	NPFB-T-2R14-G14-MMF	10
R $\frac{3}{8}$	G $\frac{3}{8}$	10	11	20.5	55.5	29	10	13.6	36.75	17	72	547 777	NPFB-T-2R38-G38-MMF	10
R $\frac{1}{2}$	G $\frac{1}{2}$	15	15	25.5	66.5	35	11	15.5	44.25	20	117	547 778	NPFB-T-2R12-G12-MMF	10

* Packaging unit quantity

Threaded fittings NPFB

Technical data

T-fitting NPFB-T

Operating pressure:

-0.95 ... +40 bar

Ambient temperature:

-20 ... +150 °C

Operating medium:

Suitable for compressed air and vacuum

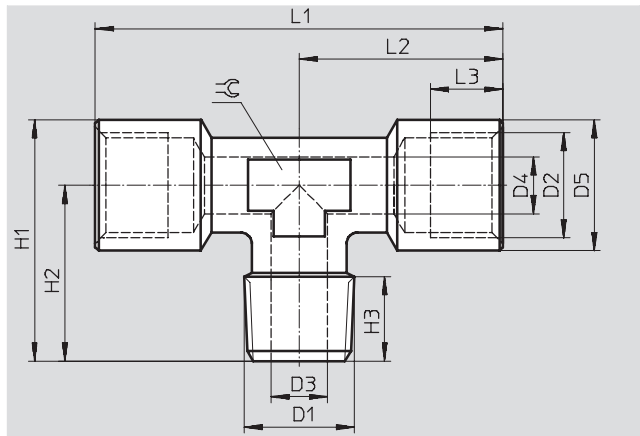
Material:

Nickel-plated brass

Note on material:

Conforms to RoHS

Contains paint wetting impairment substances



Dimensions and ordering data															
Connection		D3	D4	D5	L1	L2	L3	H1	H2	H3	≈C	Weight/piece	Part No.	Type	PU*
D1	D2	∅	∅	∅								[g]			
M5	M5	2	4.2	8.5	22	11	5	15.75	11.5	4	9	8	547 751	NPFB-T-3M5-MFF	10
R ¹ / ₈	G ¹ / ₈	5.5	6	13	40	20	7	25.5	19	8	10	26	547 752	NPFB-T-R18-2G18-MFF	10
R ¹ / ₄	G ¹ / ₄	8	9	16	51	25.5	8	32	24	12.5	13	46	547 753	NPFB-T-R14-2G14-MFF	10
R ³ / ₈	G ³ / ₈	11	10	20.5	58	29	10	36.75	26.5	13.6	17	83	547 754	NPFB-T-R38-2G38-MFF	10
R ¹ / ₂	G ¹ / ₂	15	15	25.5	70	35	11	44.25	31.5	15.5	20	130	547 755	NPFB-T-R12-2G12-MFF	10
R ³ / ₄	G ³ / ₄	19	19	32	73	36.5	16.5	49	33	16	25	178	547 756	NPFB-T-R34-2G34-MFF	10
R1	G1	24	24	39	90	45	19	58.5	39	17.5	30	296	547 757	NPFB-T-R1-2G1-MFF	10

* Packaging unit quantity

Y-fitting NPFB-Y

Operating pressure:

-0.95 ... +40 bar

Ambient temperature:

-20 ... +150 °C

Operating medium:

Suitable for compressed air and vacuum

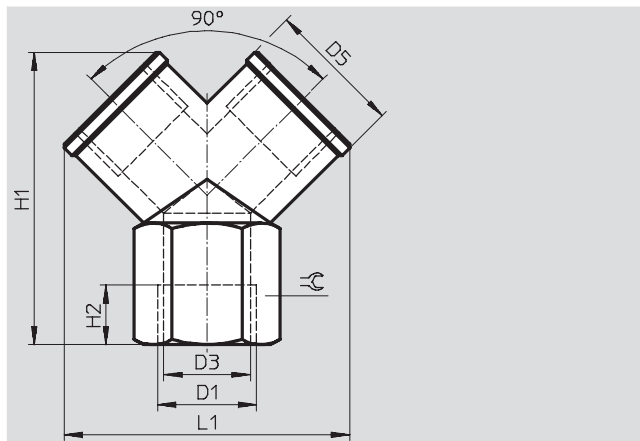
Material:

Nickel-plated brass

Note on material:

Conforms to RoHS

Contains paint wetting impairment substances



Dimensions and ordering data											
Connection		D3	D5	L1	H1	H2	≈C	Weight/piece	Part No.	Type	PU*
D1	D2	∅	∅					[g]			
G ¹ / ₈		8.7	13	29	26.5	8	13	18	547 736	NPFB-Y-3G18-F	10
G ¹ / ₄		11.6	17	36	32	11	17	32	547 737	NPFB-Y-3G14-F	10
G ³ / ₈		15	21	41	37	11.5	20	44	547 738	NPFB-Y-3G38-F	10
G ¹ / ₂		19	26	52.5	45	14	25	92	547 739	NPFB-Y-3G12-F	10

* Packaging unit quantity

Threaded fittings NPFB

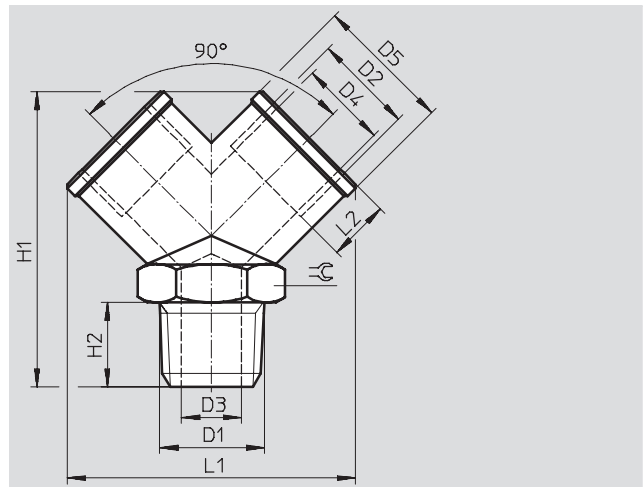
Technical data

Y-fitting NPFB-Y

Operating pressure:
-0.95 ... +40 bar
Ambient temperature:
-20 ... +150 °C
Operating medium:
Suitable for compressed air and vacuum

Material:
Nickel-plated brass

Note on material:
Conforms to RoHS
Contains paint wetting impairment substances



Dimensions and ordering data													
Connection		D3	D4	D5	L1	L2	H1	H2	≈C	Weight/piece	Part No.	Type	PU*
D1	D2	∅	∅	∅						[g]			
R $\frac{1}{8}$	G $\frac{1}{8}$	5.5	8.7	13	29	8	32	8	13	22	547 740	NPFB-Y-R18-2G18-MFF	10
R $\frac{1}{4}$	G $\frac{1}{4}$	8	11.6	17	36	11	38	11	17	38	547 741	NPFB-Y-R14-2G14-MFF	10
R $\frac{3}{8}$	G $\frac{3}{8}$	11	15	21	41	11.5	42.5	11.5	20	52	547 742	NPFB-Y-R38-2G38-MFF	10
R $\frac{1}{2}$	G $\frac{1}{2}$	15	19	26	52.5	14	53	14	25	110	547 743	NPFB-Y-R12-2G12-MFF	10

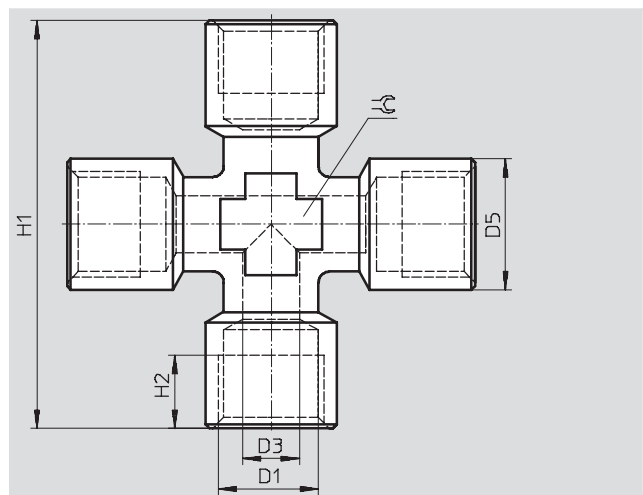
* Packaging unit quantity

X-fitting NPFB-X

Operating pressure:
-0.95 ... +40 bar
Ambient temperature:
-20 ... +150 °C
Operating medium:
Suitable for compressed air and vacuum

Material:
Nickel-plated brass

Note on material:
Conforms to RoHS
Contains paint wetting impairment substances



Dimensions and ordering data										
Connection		D3	D5	H1	H2	≈C	Weight/piece	Part No.	Type	PU*
D1		∅	∅				[g]			
G $\frac{1}{8}$		6	13	46	7	13	60	547 779	NPFB-X-4G18-F	10
G $\frac{1}{4}$		9	17	51	8	13	73	547 780	NPFB-X-4G14-F	10
G $\frac{3}{8}$		10	20.5	58	10	17	118	547 781	NPFB-X-4G38-F	10
G $\frac{1}{2}$		15	26.2	67	14	21	186	547 782	NPFB-X-4G12-F	10

* Packaging unit quantity

Threaded fittings NPFB

Technical data

X-fitting NPFB-X

Operating pressure:

-0.95 ... +40 bar

Ambient temperature:

-20 ... +150 °C

Operating medium:

Suitable for compressed air and vacuum

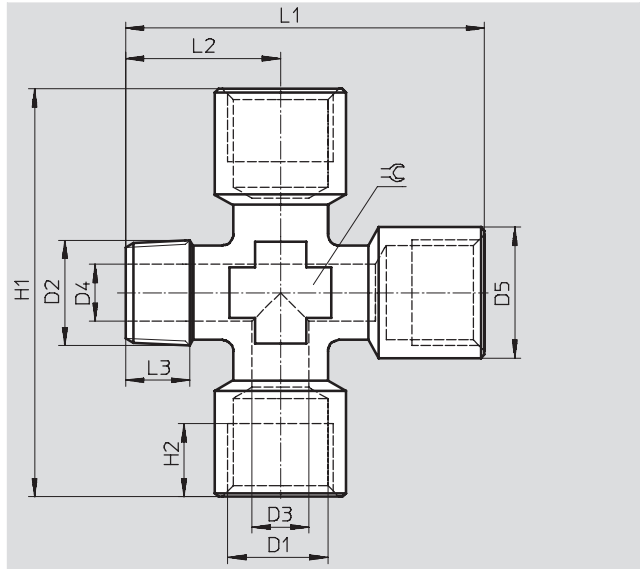
Material:

Nickel-plated brass

Note on material:

Conforms to RoHS

Contains paint wetting impairment substances



Dimensions and ordering data														
Connection		D3	D4	D5	L1	L2	L3	H1	H2	⌀	Weight/piece	Part No.	Type	PU*
D1	D2	∅	∅	∅							[g]			
G ¹ / ₈	R ¹ / ₈	6	6	13	46	23	8	46	7	13	52	547 783	NPFB-X-R18-3G18-MFFF	10
G ¹ / ₄	R ¹ / ₄	9	8	17	49.5	24	12.5	51	8	13	67	547 784	NPFB-X-R14-3G14-MFFF	10
G ³ / ₈	R ³ / ₈	10	11	20.5	55.5	26.5	13.6	58	10	17	100	547 785	NPFB-X-R38-3G38-MFFF	10
G ¹ / ₂	R ¹ / ₂	15	15	26.2	64.5	31	14.0	67	14	21	168	547 786	NPFB-X-R12-3G12-MFFF	10

* Packaging unit quantity