

Signal converters SVE4

Product overview



- Signal input range 0 ... 10 V, 0 ... 20 mA or for position sensors SMH-S1-HG
- Switch output 2x PNP or 2x NPN
- Switching function freely programmable
- Mounting direct, on DIN H-rail or with adapter plate

Detailed product information
 → www.festo.com/catalogue/sve4

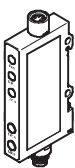
Type codes		SVE4	-	US	-	R	-	H	M8	-	2P	-	M8
Type													
SVE4	Signal converter												
Signal input range													
US	0 ... 10 V												
IS	0 ... 20 mA												
HS	Adapted for position sensors SMH-S1-HG												
Display and operation													
R	Switching status display via LED, teach-in buttons												
Mounting													
H	DIN H-rail mounting												
Electrical connection (signal input)													
M8	Socket M8x1, 4-pin												
Switch output													
2P	2x PNP												
2N	2x NPN												
Electrical connection (switch output)													
M8	Plug, M8x1, 4-pin												

Signal converters SVE4

Technical data

FESTO

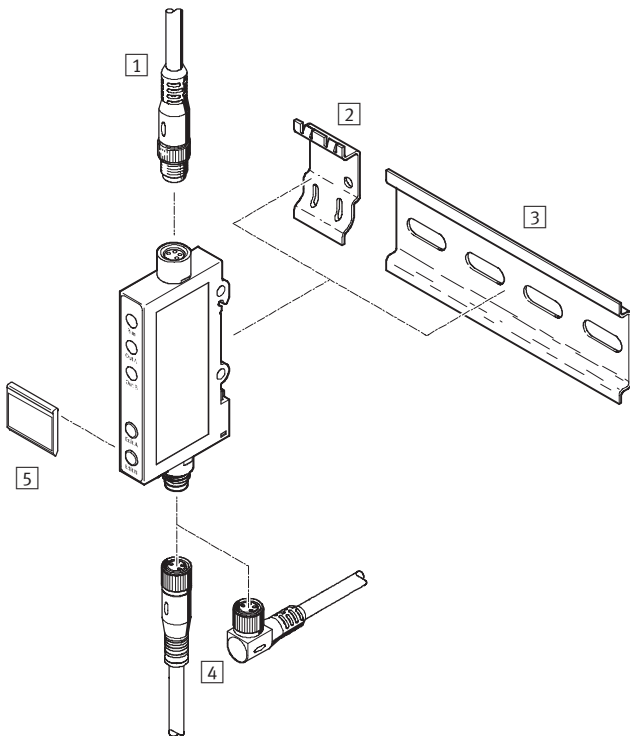
Technical data			
Type	SVE4-US	SVE4-IS	SVE4-HS
Electrical data			
Signal input range	0 ... 10 ± 0.3 V	0 ... 20 ± 0.6 mA	Adapted for position sensors SMH-S1-HG
Switch output	2x PNP 2x NPN		
Switching element function	Switchable		
Switching function	Freely programmable		
Setting options	Teach-in		
Operating voltage range [V DC]	10 ... 30		
Electrical connection	Input	Socket M8x1, 4-pin, to EN 60947-5-2	
	Output	Plug M8x1, 4-pin, to EN 60947-5-2	
Protection against short circuit	Pulsed		
Protection against polarity reversal	For all electrical connections		For operating voltage and switching outputs
Protection against overloading	Available		
Operating and environmental conditions			
Ambient temperature [°C]	-20 ... 70		
UL ambient temperature [°C]	-20 ... 60		
CE mark (see declaration of conformity)	In accordance with EU EMC directive		
Certification	C-UL-US listed (OL) C-Tick		
Protection class	IP65		
Materials			
Housing	Acrylic butadiene styrene		
Note on materials	Free of copper and PTFE		

Ordering data					
Variant	Signal input range	Switch output PNP		Switch output NPN	
		Part No.	Type	Part No.	Type
	0 ... 10 ± 0.3 V	544 217	SVE4-US-R-HM8-2P-M8	544 220	SVE4-US-R-HM8-2N-M8
	0 ... 20 ± 0.6 mA	544 218	SVE4-IS-R-HM8-2P-M8	544 221	SVE4-IS-R-HM8-2N-M8
	Adapted for position sensors SMH-S1-HG	544 216	SVE4-HS-R-HM8-2P-M8	544 219	SVE4-HS-R-HM8-2N-M8


Signal converters SVE4



Peripherals overview


FESTO

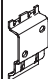


Accessories	
1	Connecting cable for signal input
2	Adapter plate SXE3-W
3	Mounting rail to DIN EN 60715
4	Connecting cable for switch output
5	Inscription label holder SXE3 (included in scope of delivery)

Ordering data – Connecting cables for signal input			
Technical data → Internet: nebu			
	Number of wires	Cable length [m]	Part No. Type
M8x1, straight plug			
	4	2.5	554 035 NEBU-M8G4-K-2.5-M8G4
		0.1 ... 25	Configurator for easy selection of application-specific connecting cables → Internet: nebu

Ordering data – Connecting cables for switch output			
Technical data → Internet: nebu			
	Number of wires	Cable length [m]	Part No. Type
M8x1, straight socket			
	4	2.5	541 342 NEBU-M8G4-K-2.5-LE4
		5	541 343 NEBU-M8G4-K-5-LE4
M8x1, angled socket			
	4	2.5	541 344 NEBU-M8W4-K-2.5-LE4
		5	541 345 NEBU-M8W4-K-5-LE4

 Note
Additional variants can be configured and ordered via the NEBU modular product system → Internet: nebu.

Ordering data – Adapter plate	
	Part No. Type
	540 214 SXE3-W