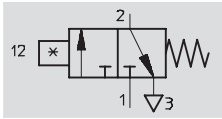


Proximity sensors SMPO-8E, for T-slot, pneumatic

Technical data

Function
3/2-way valve,
normally closed

- Pneumatic proximity sensor
- Magnetic measuring principle



Design	
Constructional design	For T-slot
Type of mounting	Via accessories
Connection direction	Lateral
Reproducibility of switching point ¹⁾	[mm] ±0.1
Switching status display	Optical

1) Only applicable to drives secured against rotation

Technical data	
Switching element function	3/2-way valve, normally closed
Operating medium	Compressed air, filtered, unlubricated, grade of filtration 40µm
Operating pressure	[bar] 2 ... 8
Switch-on time	[ms] 22
Switch-off time	[ms] 52
Pneumatic connection	Female thread M5
Protection class	IP65

Operating and environmental conditions	
Ambient temperature	[°C] -15 ... +60
Corrosion resistance class CRC ¹⁾	2

1) Corrosion resistance class 2 according to Festo standard 940 070
Components requiring moderate corrosion resistance. Externally visible parts with primarily decorative surface requirements which are in direct contact with a normal industrial environment or media such as coolants or lubricating agents.

Materials	
Housing	Polyamide, aluminium

Product weights [g]	
	12

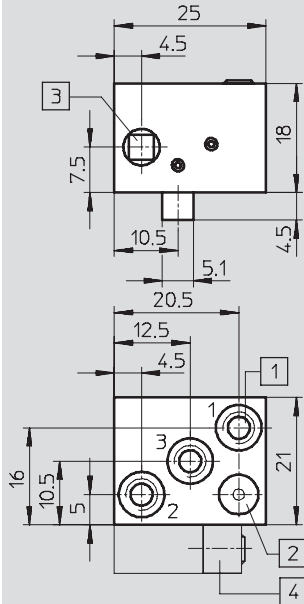
Proximity sensors SMPO-8E, for T-slot, pneumatic

Technical data



Dimensions

Download CAD data → www.festo.com



- 1 Connecting thread M5
- 2 Pneumatic indicator
- 3 Mounting screw
- 4 Mounting kit SMB-8E

Ordering data

	Pneumatic connection	Part No.	Type
	3/2-way valve, normally closed		
	Female thread M5	178 563	SMPO-8E

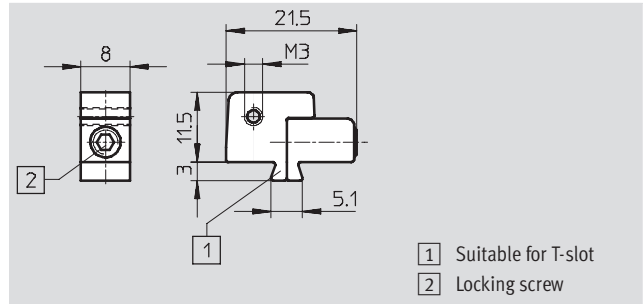
Proximity sensors for T-slot

Accessories

FESTO

Mounting kit SMB-8E

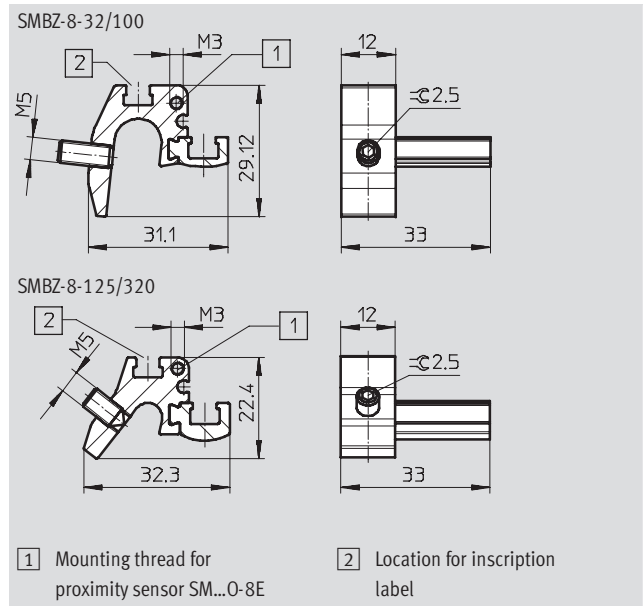
Material:
Polyacetate



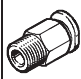
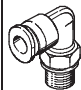
Ordering data		
For piston Ø	Part No.	Type
10 ... 125	178 230	SMB-8E

Mounting SMBZ-8-...

Material:
Rail: Wrought aluminium alloy,
anodised
Screws: High-alloy stainless steel
Free of copper and PTFE



Ordering data		
For piston Ø	Part No.	Type
32 ... 100	537 806	SMBZ-8-32/100
125 ... 320	537 808	SMBZ-8-125/320

Ordering data – Push-in fittings		Technical data → Internet: quick star	
		[mm]	Part No. Type
	Push-in fitting with connecting thread M5 for tubing O.D.	3	153 302 QSM-M5-3
		4	153 304 QSM-M5-4
		6	153 306 QSM-M5-6
	Push-in L-fitting with connecting thread M5 for tubing O.D.	3	153 331 QSML-M5-3
		4	153 333 QSML-M5-4
		6	153 335 QSML-M5-6