

Silencers







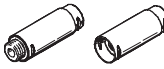
FESTO




Silencers

Product range overview

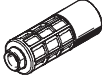

FESTO

Design	Type	Connection D1		For tubing I.D.	Push-in sleeve \varnothing	Noise level [dB (A)]	Free of copper and PTFE	→ Page/Internet
		M thread	G thread					
Sintered metal								
	U-PK-3	–	–	3	–	< 70	–	4
	U-PK-4	–	–	4	–	< 74		
	U-M3	M3	–	–	–	< 65		
	U-M5	M5	–	–	–	< 70		
Polymer								
	U-1/8	–	G1/8	–	–	< 77	■	5
	U-1/4	–	G1/4	–	–	< 77		
	U-3/8	–	G3/8	–	–	< 82		
	U-1/2	–	G1/2	–	–	< 80		
	U-3/4	–	G3/4	–	–	< 83		
	U-1	–	G1	–	–	< 84		
Die-cast metal								
	U-1/8-B	–	G1/8	–	–	< 74	■	5
	U-1/4-B	–	G1/4	–	–	< 79		
	U-3/8-B	–	G3/8	–	–	< 80		
	U-1/2-B	–	G1/2	–	–	< 80		
	U-3/4-B	–	G3/4	–	–	< 81		
	U-1-B	–	G1	–	–	< 82		
Push-in sleeve for push-in fitting QS, Quick Star								
	UC-QS-3H	–	–	–	3	< 60	–	6
	UC-QS-4H	–	–	–	4	< 60		
	UC-QS-6H	–	–	–	6	< 60		
	UC-QS-8H	–	–	–	8	< 60		
	UC-QS-10H	–	–	–	10	< 68		
For solenoid valves CPE, Compact Performance								
	UC-M5	M5	–	–	–	< 60	–	6
	UC-M7	M7	–	–	–	< 58		
	UC-1/8	–	G1/8	–	–	< 59		
	UC-1/4	–	G1/4	–	–	< 60		
For vacuum generators VN-T2/T3								
	UO-M7	M7	–	–	–	–	■	7
	UO-1/8	–	G1/8	–	–	–		
	UO-1/4	–	G1/4	–	–	–		
For vacuum generators VN-T4/T6								
	UOM-1/4	–	G1/4	–	–	–	■	8
	UOM-3/8	–	G3/8	–	–	–		
	UOMS-1/4	–	–	–	–	–		
	UOMS-3/8	–	–	–	–	–		

 Note
 Clean silencers with kerosene or benzene (not with trichloroethylene).

Silencers

Product range overview

Design	Type	Connection D1		For tubing I.D.	Push-in sleeve Ø	Noise level [dB (A)]	Free of copper and PTFE	→ Page/Internet
		M thread	G thread					
For soft start/quick exhaust valve MS6-SV								
	UOS-1	–	G1	–	–	< 75	■	ms6-sv
Filter silencer								
	LFU-1/4	–	G1/4	–	–	< 40	■	lfu
	LFU-3/8		G3/8					
	LFU-1/2		G1/2					
	LFU-1		G1					

Silencers U

Technical data



Silencer U

Compact design

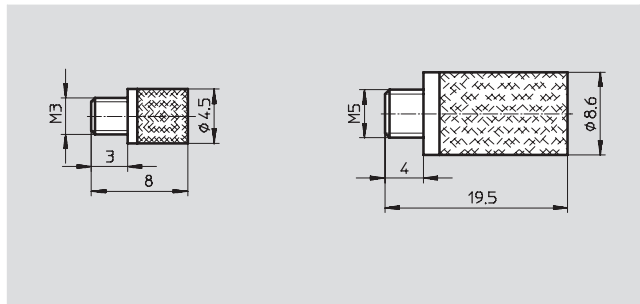
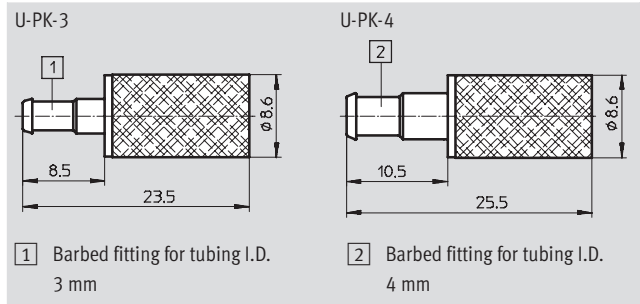
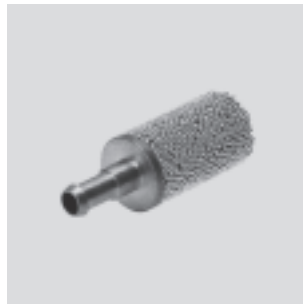
Operating pressure: 0 ... 10 bar
 Temperature range: -10 ... +70 °C
 (note operating range of tubing used)

Material:

Threaded collar: Brass
 Silencer insert: Bronze

Note on materials:

Conforms to RoHS



Technical data and ordering data							
Pneumatic connection	Noise level ¹⁾	Nominal size	Standard nominal flow rate ²⁾	Weight	Part No.	Type	PU*
	[dB (A)]						
PK-3	< 70	2.5	80	5	4646	U-PK-3	10
PK-4	< 74	3.4	150	5	4932	U-PK-4	10
M3	< 65	1.5	110	4	163978	U-M3	10
M5	< 70	2.5	90	5	4645	U-M5	10
					534221	U-M5-50	50

1) At 6 bar with respect to atmosphere at a distance of 1 m
 2) At 7 bar at inlet with respect to atmosphere
 * Packaging unit quantity

Silencers U

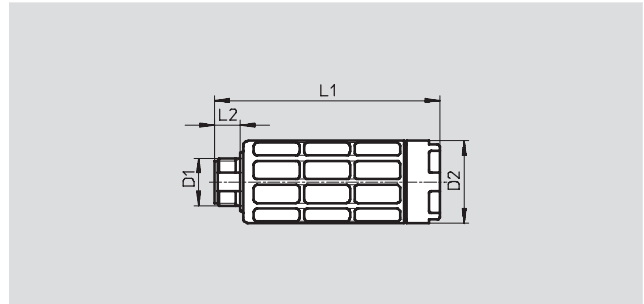
Technical data

Silencer U

Plastic version

Operating pressure: 0 ... 10 bar
Temperature range: -10 ... +70 °C

Material:
Housing: Polyacetal
Silencer insert: Polyethylene
Free of copper and PTFE
Conforms to RoHS



Technical data, dimensions and ordering data										
Pneumatic connection D1	Noise level ¹⁾ [dB (A)]	Nominal size [mm]	Standard nominal flow rate ²⁾ [l/min]	Weight [g]	D2 ∅	L1	L2	Part No.	Type	PU*
G ¹ / ₈	< 77	6.4	2050	2	15.2	35.9	5.5	2307	U- ¹ / ₈	1
								534222	U- ¹ / ₈ -50	50
G ³ / ₄	< 77	8	3400	8	19	57	6.5	2316	U- ³ / ₄	1
								534223	U- ³ / ₄ -20	20
G ³ / ₈	< 82	11	5900	30	33.5	78.8	7.5	2309	U- ³ / ₈	1
								534224	U- ³ / ₈ -20	20
G ¹ / ₂	< 80	15	10600	58	43	88.1	9	2310	U- ¹ / ₂	1
								534225	U- ¹ / ₂ -20	20
G ³ / ₄	< 83	18.6	15000	83	45	120.7	10.5	2311	U- ³ / ₄	1
G1	< 84	22	19900	140	55	126.5	11.5	2312	U-1	1

1) At 6 bar with respect to atmosphere at a distance of 1 m

2) At 7 bar at inlet with respect to atmosphere

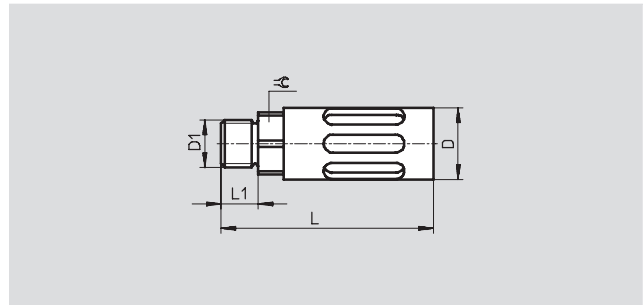
* Packaging unit quantity

Silencer U-...-B

Die-cast version

Operating pressure: 0 ... 10 bar
Temperature range: -10 ... +70 °C

Material:
Housing: Die-cast aluminium
Silencer insert: Polyethylene
Free of copper and PTFE



Technical data, dimensions and ordering data										
Pneumatic connection D1	Noise level ¹⁾ [dB (A)]	Nominal size [mm]	Standard nominal flow rate ²⁾ [l/min]	Weight [g]	D ∅	L	L1	≡G	Part No.	Type
G ¹ / ₈	< 74	5.3	1450	8	16	39.2	5.5	14	6841	U- ¹ / ₈ -B
G ³ / ₄	< 79	7.5	3000	17	19.5	55.6	6.5	17	6842	U- ³ / ₄ -B
G ³ / ₈	< 80	9	4500	37	25	86.6	7.5	19	6843	U- ³ / ₈ -B
G ¹ / ₂	< 80	14	6500	75	28	116.5	9	24	6844	U- ¹ / ₂ -B
G ³ / ₄	< 81	17	11000	120	38	138	10.5	32	6845	U- ³ / ₄ -B
G1	< 82	23.5	17300	233	47.8	177	11.5	36	151990	U-1-B

1) At 6 bar with respect to atmosphere at a distance of 1 m

2) At 7 bar at inlet with respect to atmosphere

Silencers UC

Technical data

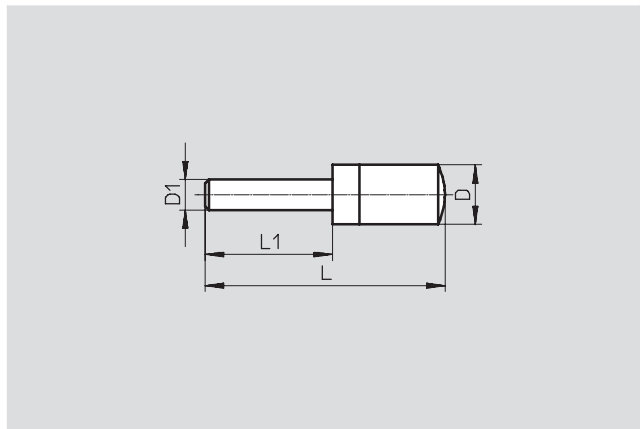
FESTO

Silencer UC-QS

with push-in sleeve for push-in fitting
QS, Quick Star

Operating pressure: 0 ... 10 bar
Operating medium: Filtered compressed air, lubricated or unlubricated
Temperature range: -10 ... +70 °C

Material:
Threaded collar: Polyethylene
Silencer insert: Polyethylene
RoHS-compliant



Technical data, dimensions and ordering data									
Push-in sleeve Ø D1	Noise level ¹⁾ [dB (A)]	Nominal size [mm]	Standard nominal flow rate ²⁾ [l/min]	Weight [g]	D Ø	L	L1	Part No.	Type
3	< 60	2.1	170	0.4	7.8	29.1	14.4	165005	UC-QS-3H
4	< 60	2.9	350	0.5	7.8	31.4	16.3	165006	UC-QS-4H
6	< 60	4.2	800	1.1	9.8	41.3	17.2	165007	UC-QS-6H
8	< 60	6.4	1500	2.3	13.8	54.4	23.4	175611	UC-QS-8H
10	< 68	7.6	3100	5.5	17.8	68.7	26.7	526475	UC-QS-10H

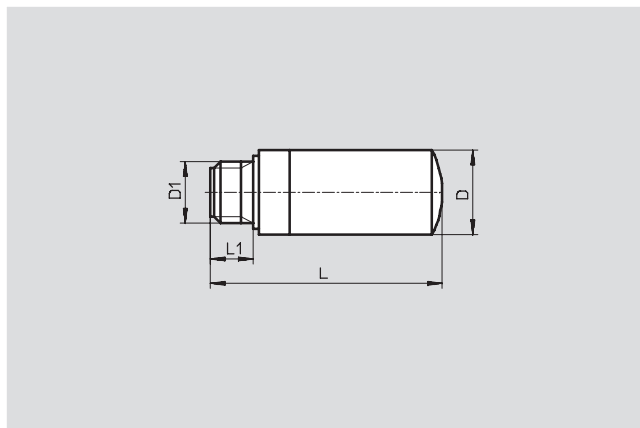
- 1) At 6 bar with respect to atmosphere at a distance of 1 m
2) At 7 bar at inlet with respect to atmosphere

Silencer UC

for solenoid valves CPE,
Compact Performance

Operating pressure: 0 ... 10 bar
Operating medium: Filtered compressed air, lubricated or unlubricated
Temperature range: -10 ... +70 °C

Material:
Threaded collar: Polyethylene
Silencer insert: Polyethylene
RoHS-compliant



Technical data, dimensions and ordering data										
Pneumatic connection D1	Noise level ¹⁾ [dB (A)]	Nominal size [mm]	Standard nominal flow rate ²⁾ [l/min]	Weight [g]	D Ø	L	L1	Part No.	Type	PU*
M5	< 60	2.9	350	0.4	7.8	19.4	4.5	165003	UC-M5	1
								534217	UC-M5-50	50
M7	< 58	4.2	800	1.2	9.8	30.7	5.5	161418	UC-M7	1
								534218	UC-M7-50	50
G ¹ / ₈	< 59	6.4	1700	2.6	13.8	38.0	6.5	161419	UC-1/8	1
								534219	UC-1/8-50	50
G ¹ / ₄	< 60	9.0	3200	5.2	17.8	50.8	8.5	165004	UC-1/4	1
								534220	UC-1/4-20	20

- 1) At 6 bar with respect to atmosphere at a distance of 1 m
2) At 7 bar at inlet with respect to atmosphere
* Packaging unit quantity

Silencers UO

Technical data

FESTO

Silencer UO

for vacuum generators VN-T2/T3

- Special minimal resistance silencer
- Facilitates trouble-free operation of the vacuum generator

Function



General technical data			
Size	M7	G $\frac{1}{8}$	G $\frac{1}{4}$
Pneumatic connection	M7	G $\frac{1}{8}$	G $\frac{1}{4}$
Type of mounting	Threaded connection		
Assembly position	Any		
Product weight [g]	2.5	5	8

Operating and environmental conditions	
Operating pressure of vacuum generator [bar]	0 ... 8
Operating medium	Dried compressed air
Ambient temperature [°C]	-10 ... +60
Corrosion resistance class CRC ¹⁾	2

1) Corrosion resistance class 2 according to Festo standard 940 070
Components requiring moderate corrosion resistance. Externally visible parts with primarily decorative surface requirements which are in direct contact with a normal industrial environment or media such as coolants or lubricating agents.

Materials	
Silencer insert	Polyethylene
Threaded collar	Polyethylene
Note on materials	Free of copper and PTFE

Dimensions Download CAD data → www.festo.com

Connection	D ∅	D1	D2	L	L1
M7	9.8	M7	3	36.7	5.5
G $\frac{1}{8}$	13.8	G $\frac{1}{8}$	3.5	48	6.5
G $\frac{1}{4}$	17.8	G $\frac{1}{4}$	5.3	62.3	8.5

Ordering data		
Pneumatic connection	Part No.	Type
M7	197582	UO-M7
G $\frac{1}{8}$	197583	UO-1/8
G $\frac{1}{4}$	197584	UO-1/4

Silencers UOM

Technical data

FESTO

Silencer UOM

Silencer extension UOMS

for vacuum generators VN-T4/T6

Function



- Special minimal resistance silencer
- Facilitates trouble-free operation of the vacuum generator
- Silencer extension for extending the silencer for further noise reduction



General technical data					
Type	UOM		UOMS		
Size	G1/4	G3/8	G1/4	G3/8	
Pneumatic connection	G1/4	G3/8	-		
Design	Silencer, open				
Type of mounting	Screw-in		Engaging		
Assembly position	Any				
Type of seal on threaded collar	No seal				
Product weight [g]	11.1	22.7	8.6	17.5	

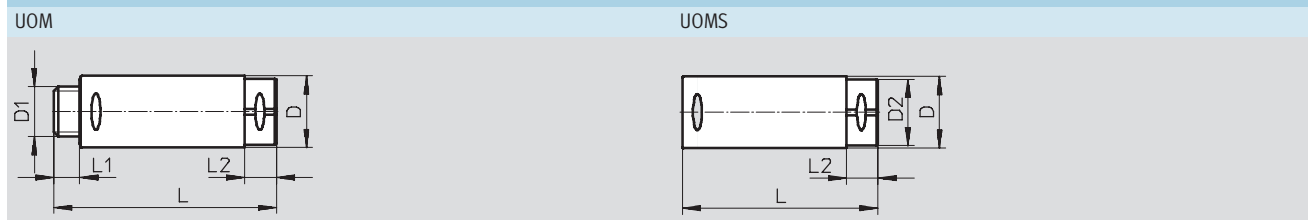
Operating and environmental conditions	
Operating pressure of vacuum generator [bar]	0 ... 8
Operating medium	Compressed air
Ambient temperature [°C]	0 ... +60
Corrosion resistance class CRC ¹⁾	2



1) Corrosion resistance class 2 according to Festo standard 940 070

Components requiring moderate corrosion resistance. Externally visible parts with primarily decorative surface requirements which are in direct contact with a normal industrial environment or media such as coolants or lubricating agents.

Materials	
Housing	Polyacetate
Inner piping	Wrought aluminium alloy
Silencer insert	Polyurethane foam
Threaded plug	Polyacetate
Note on materials	Free of copper and PTFE Contains paint-wetting impairment substances

Dimensions Download CAD data → www.festo.com



Ordering data							Part No.	Type
D ∅	D1	D2 ∅	L	L1	L2			
Silencer								
17.8	G1/4	-	73	8	10	538432	UOM-1/4	 New
23.8	G3/8	-	74	8.6	10.5	538433	UOM-3/8	
Silencer extension								
17.8	-	16	64.5	-	10	538436	UOMS-1/4	 New
23.8	-	22	65.2	-	10.5	538437	UOMS-3/8	