

Electrical connection technology, for inputs/outputs

Technical data – SEA-GS

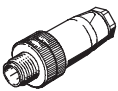
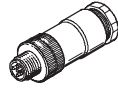
- Sensor plug/socket for inputs/ outputs
- Can be assembled with any cable length
- 4-pin
- Wire cross section of up to 0.75 mm²



General technical data	
Type	SEA-GS-...
Electrical connection	Straight plug, 4-pin, M12x1, screw terminal
Type of mounting	Via threaded sleeve
Mounting position	Any
Max. tightening torque of locking clip [Nm]	0.5
Surge capacity [kV]	2.5
Acceptable current load at 40 °C [A]	4
Max. wire cross section [mm ²]	0.75
Protection class to EN 60529	IP67 (assembled)
Based on standard	EN 61076-2-101, EN 61984
Housing colour	Black
Housing material	Polybutylene terephthalate
Contact material	Brass, coated with white bronze
Union nut material	Polybutylene terephthalate
Note on materials	RoHS-compliant

Operating and environmental conditions	
Ambient temperature [°C]	-40 ... +85
Corrosion resistance class CRC ¹⁾	2
CE mark (see declaration of conformity)	To EU Low Voltage Directive
Degree of contamination	3

1) Corrosion resistance class 2 as per Festo standard 940 070
 Components subject to moderate corrosion stress. Externally visible parts with primarily decorative surface requirements which are in direct contact with a normal industrial environment or media such as coolants or lubricating agents.

Ordering data							
	Operating voltage range		Cable connector	Permissible cable diameter [mm]	Product weight [g]	Type	Part No.
	[V AC]	[V DC]					
	250	250	Pg7	4 ... 6	17	SEA-GS-7	18 666
	250	250	Pg9	6 ... 8	18	SEA-GS-9	18 778
	250	250	Pg11	3 ... 5	24	SEA-GS-11-DUO	18 779

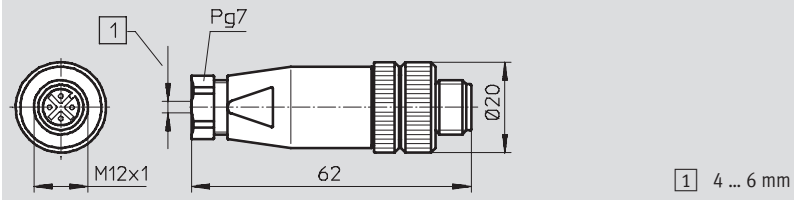
Electrical connection technology, for inputs/outputs

Technical data – SEA-GS

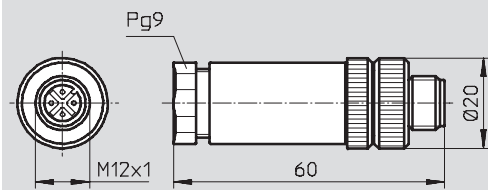
Dimensions

Download CAD data → www.festo.com

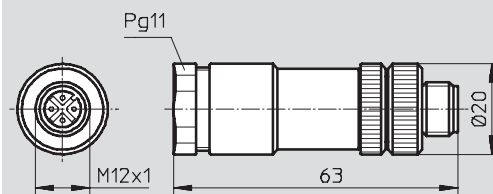
SEA-GS-7



SEA-GS-9



SEA-GS-11-DUO



Electrical connection technology, for inputs/outputs

Technical data – SEA-GS-HAR

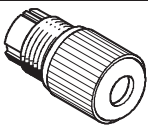
- Sensor plug/socket for inputs/ outputs
- Can be assembled with any cable length
- 4-pin
- Wire cross section of up to 0.5 mm²



General technical data	
Type	SEA-GS-HAR-4POL
Mounting position	Any
Tightening torque of locking clip [Nm]	0.5
Surge capacity [kV]	0.8
Acceptable current load at 40 °C [A]	4
Cable connector	Pg9
Permissible cable diameter [mm]	4 ... 5.1
Individual wire diameter [mm]	0.1
Wire diameter [mm]	1.2 ... 1.6
Max. wire cross section [mm ²]	0.25 ... 0.5
Protection class to EN 60529	IP67 (assembled)
Based on standard	EN 61076-2-101, EN 61984
Housing material	Die-cast zinc, nickel-plated
Contact material	Copper base alloy, gold-plated
Wire insulation material	Polyvinyl chloride
Note on materials	RoHS-compliant

Operating and environmental conditions	
Ambient temperature [°C]	-25 ... +85
Corrosion resistance class CRC ¹⁾	2
Degree of contamination	3

1) Corrosion resistance class 2 as per Festo standard 940 070
 Components subject to moderate corrosion stress. Externally visible parts with primarily decorative surface requirements which are in direct contact with a normal industrial environment or media such as coolants or lubricating agents.

Ordering data							
View	Electrical connection	Type of mounting	Operating voltage range		Product weight [g]	Type	Part No.
			[V AC]	[V DC]			
	Straight socket M12x1, 4-pin, insulation displacement connector	Via thread	32	32	11.5	SEA-GS-HAR-4POL	525 928

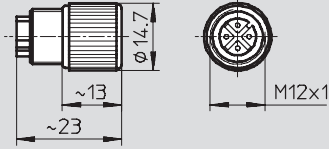
Electrical connection technology, for inputs/outputs

Technical data – SEA-GS-HAR

Dimensions

Download CAD data → www.festo.com

SEA-GS-HAR



Electrical connection technology, for inputs/outputs

Technical data – SEA-GS-M8



- Sensor plug/socket for inputs/ outputs
- Can be assembled with any cable length
- 3-pin
- With screw terminals or soldered connection
- Wire cross section of up to 0.5 mm²



General technical data		
Type	SEA-GS-M8	SEA-3GS-M8-S
Type of mounting	Via threaded sleeve	
Mounting position	Any	
Permissible cable diameter [mm]	3.5 ... 5	2.5 ... 5
Connection cross section [mm ²]	0.25	0.14 ... 0.5
Acceptable current load [A]	3	
Surge capacity [kV]	1.5	
Protection class to EN 60529	IP67 (assembled)	IP65 (assembled)
Cable connector	PG7	
Housing colour	Black	
Housing material	Polyamide	
Contact material	Brass, gold-plated	
Union nut material	Brass, nickel-plated	Brass, nickel-plated/chrome-plated
Note on materials	RoHS-compliant	
Max. tightening torque of locking clip [Nm]	0.3	

Operating and environmental conditions		
Ambient temperature [°C]	–40 ... +85	
Corrosion resistance class CRC ¹⁾	2	
CE mark (see declaration of conformity)	To EU Low Voltage Directive	
Degree of contamination	3	

1) Corrosion resistance class 2 as per Festo standard 940 070
 Components subject to moderate corrosion stress. Externally visible parts with primarily decorative surface requirements which are in direct contact with a normal industrial environment or media such as coolants or lubricating agents.

Ordering data						
	Electrical connection	Operating voltage range		Product weight [g]	Type	Part No.
		[V AC]	[V DC]			
	Straight plug M8x1, 3-pin, screw terminal	60	60	11	SEA-3GS-M8-S	192 009
	Straight plug M8x1, 3-pin, solder lug	60	60	9	SEA-GS-M8	18 696

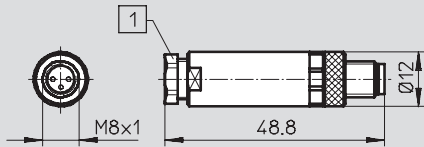
Electrical connection technology, for inputs/outputs

Technical data – SEA-GS-M8

Dimensions

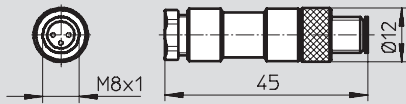
Download CAD data → www.festo.com

SEA-3GS-M8-S



- 1 Cable connector:
- Black for cable 3.5 ... 5 mm
 - Blue for cable 2.5 ... 4 mm

SEA-GS-M8



Electrical connection technology, for inputs/outputs

Technical data – SEA-M12

- Sensor plug/socket for inputs/ outputs
- Can be assembled with any cable length
- 4 or 5-pin
- Wire cross section of up to 0.75 mm²



General technical data		
Type	SEA-M12-5GS-PG7	SEA-M12-4WD-PG7
Mounting position	Any	
Cable connector	Pg7	
Permissible cable diameter [mm]	4 ... 6	
Max. tightening torque of locking clip [Nm]	0.5	
Connection cross section [mm ²]	0.25 ... 0.75	
Acceptable current load at 40 °C [A]	4	
Surge capacity [kV]	1.5	2.5
Protection class to EN 60529	IP67 (assembled)	
Based on standard	EN 61076-2-101, EN 61984	
Housing colour	Black	
Housing material	Polybutylene terephthalate	
Contact material	Brass, coated with white bronze	
Seal material	Nitrile rubber	
Union nut material	Die-cast zinc, nickel-plated	
Note on materials	RoHS-compliant	

Operating and environmental conditions		
Ambient temperature [°C]	–40 ... +85	
CE mark (see declaration of conformity)	To EU Low Voltage Directive	
Degree of contamination	3	
Fire protection classification to UL 94	HB, V2	

Ordering data							
	Electrical connection	Type of mounting	Operating voltage range		Product weight [g]	Type	Part No.
			[V AC]	[V DC]			
	Angled socket, 4-pin, type A, screw terminal	Union nut M12x1	250	250	30	SEA-M12-4WD-PG7	185 498
	Straight plug, 5-pin, type A, screw terminal	Threaded sleeve M12x1	60	60	21.5	SEA-M12-5GS-PG7	175 487

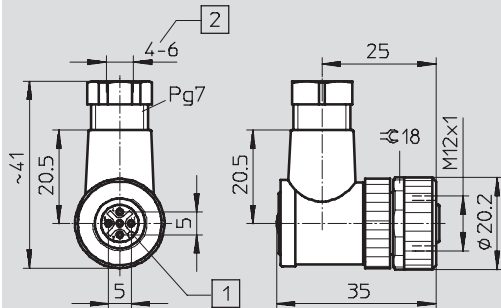
Electrical connection technology, for inputs/outputs

Technical data – SEA-M12

Dimensions

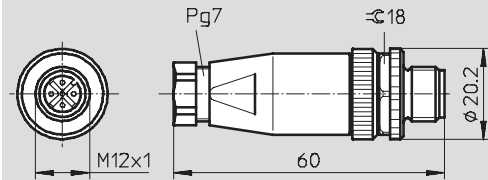
Download CAD data → www.festo.com

SEA-M12-4WD-PG7



- 1 Insert rotatable in steps of 90°
- 2 Cable \varnothing 4 ... 6 mm

SEA-M12-5GS-PG7



Electrical connection technology, for inputs/outputs

Technical data – SEA-...GS

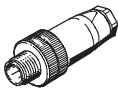
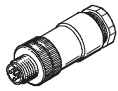
- Sensor plug for inputs/outputs
- Can be assembled with any cable length
- 4 or 5-pin
- Wire cross section of up to 0.5 mm²



General technical data		
Type	SEA-4GS-7-2,5	SEA-5GS-11-DUO
Type of mounting	Via threaded sleeve M12x1	
Max. tightening torque of locking clip [Nm]	0.5	
Mounting position	Any	
Permissible cable diameter [mm]	2.5 ... 2.9	2 x 2.5 ... 2.9 or 2 x 5
Max. wire cross section [mm ²]	0.14 ... 0.5	
Surge capacity [kV]	2.5	1.5
Protection class to EN 60529	IP65 (assembled)	
Based on standard	EN 61076-2-101, EN 61984	
Housing colour	Black	
Housing material	Polyamide	
Contact material	Brass, coated with white bronze	
Union nut material	Polyamide	
Note on materials	RoHS-compliant	

Operating and environmental conditions		
Ambient temperature [°C]	-40 ... +85	
Corrosion resistance class CRC ¹⁾	2	
CE mark (see declaration of conformity)	To EU Low Voltage Directive	
Degree of contamination	3	

1) Corrosion resistance class 2 as per Festo standard 940 070
 Components subject to moderate corrosion stress. Externally visible parts with primarily decorative surface requirements which are in direct contact with a normal industrial environment or media such as coolants or lubricating agents.

	Electrical connection	Operating voltage range		Acceptable current load [A]	Cable connector	Product weight [g]	Type	Part No.
		[V AC]	[V DC]					
	Straight plug, 4-pin, screw terminal	250	250	4	Pg7	18	SEA-4GS-7-2,5	192 008
	Straight plug, 5-pin, screw terminal	60	60	4	Pg11	24	SEA-5GS-11-DUO	192 010

Electrical connection technology, for inputs/outputs

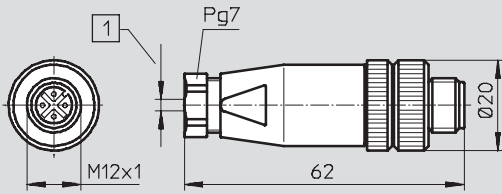
FESTO

Technical data – SEA-...GS

Dimensions

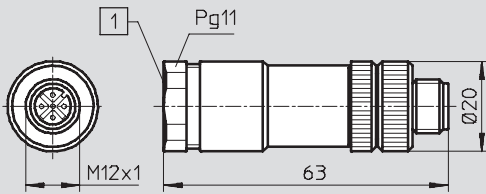
Download CAD data → www.festo.com

SEA-4GS-7-2,5



1 2.5 ... 2.9 mm

SEA-5GS-11-DUO



- 1 Included in the scope of delivery:
- 1 seal insert for 2 cables with a diameter of 2.5 ... 2.9 mm
 - 1 seal insert for 2 cables with a diameter of 5 mm
 - 1 cable binder