

Sealing material

FESTO




Sealing material

Technical data

FESTO

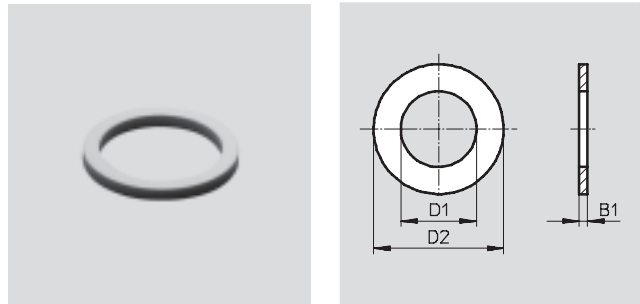
Sealing ring O/CRO

Sealing ring CRO for use in the chemicals and food processing industries

 Pressure
-0.95 ... +10 bar

Material:
Sealing ring O: Polyvinyl chloride
Sealing ring O-M3-B: Polyamide
Free of copper and PTFE

Sealing ring CRO:
Polyvinylidene fluoride



Dimensions and ordering data							
For thread	Temperature range [°C]	D1	D2	B1	Part No.	Type	PU*
Sealing ring O							
M3	-40 ... +100	2.8	4.8	0.3	30 290	O-M3-B	1
M5	-10 ... +60	5.1	8	1	3 565	O-M5	1
					534 226	O-M5-500	500
G $\frac{1}{8}$		10	13	1.5	2 223	O-$\frac{1}{8}$	1
					534 227	O-$\frac{1}{8}$-500	500
G $\frac{1}{4}$		13.2	18	2	2 224	O-$\frac{1}{4}$	1
					534 228	O-$\frac{1}{4}$-200	200
G $\frac{3}{8}$		16.8	22	2	2 225	O-$\frac{3}{8}$	1
					534 229	O-$\frac{3}{8}$-200	200
G $\frac{1}{2}$		21	28	2	2 226	O-$\frac{1}{2}$	1
					534 230	O-$\frac{1}{2}$-100	100
G $\frac{3}{4}$		26.5	33	2	2 227	O-$\frac{3}{4}$	1
G1	33.3	38.9	2	210 893	O-1	1	
Sealing ring CRO							
M5	-40 ... +80	5.1	8	1	165 191	CRO-M5	1
G $\frac{1}{8}$		10	13	1.5	165 192	CRO-$\frac{1}{8}$	1
G $\frac{1}{4}$		13.2	18	2	165 193	CRO-$\frac{1}{4}$	1
G $\frac{3}{8}$		16.8	22	2	165 194	CRO-$\frac{3}{8}$	1
G $\frac{1}{2}$		21	28	2	165 195	CRO-$\frac{1}{2}$	1
G $\frac{3}{4}$		26.5	33	2	165 196	CRO-$\frac{3}{4}$	1
G1		33.3	38.9	2	165 197	CRO-1	1


* Packaging unit quantity


Sealing material

Technical data

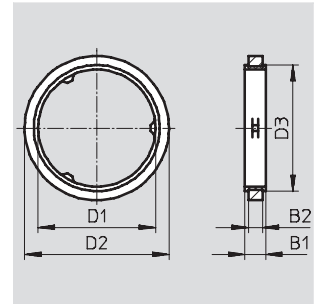
Sealing ring OL
with metal housing

- seals even with minimal tightening
- captive
- reusable
- suitable for use in hydraulic pressure range of up to 30 bar

 - Temperature range
-40 ... +100 °C

 - Pressure
-1 ... +30 bar

Note on materials:
Free of copper and PTFE



Dimensions and ordering data										
For thread	Max. perm. tightening torque [Nm]	D1	D2	D3	B1	B2	Weight [g]	Part No.	Type	PU*
Stainless steel, nitrile rubber										
M5	2	5.05	7.4	6.25	1.45	1	1	34 634	OL-M5	1
								534 231	OL-M5-500	500
G $\frac{1}{8}$	4	9.8	12.8	11.1	1.8	1.3	1	33 840	OL- $\frac{1}{8}$	1
								534 232	OL- $\frac{1}{8}$ -500	500
G $\frac{1}{4}$	11	13.2	16.8	14.4	2.2	1.6	1	34 635	OL- $\frac{1}{4}$	1
								534 233	OL- $\frac{1}{4}$ -200	200
Aluminium, nitrile rubber										
G $\frac{3}{8}$	40	16.65	20.5	17.9	2.95	1.95	2	34 636	OL- $\frac{3}{8}$	1
								534 234	OL- $\frac{3}{8}$ -200	200
G $\frac{1}{2}$	50	21	25.5	22.2	2.6	1.95	2	34 637	OL- $\frac{1}{2}$	1
								534 235	OL- $\frac{1}{2}$ -100	100
G $\frac{3}{4}$	100	26.5	32	28.4	2.6	1.95	2	34 638	OL- $\frac{3}{4}$	1

* Packaging unit quantity


Sealing material


Technical data

FESTO

Sealing ring OK
with support ring

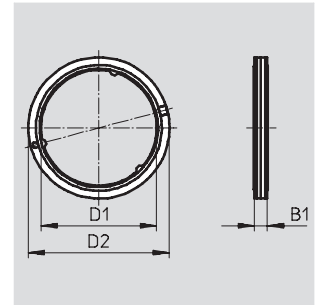
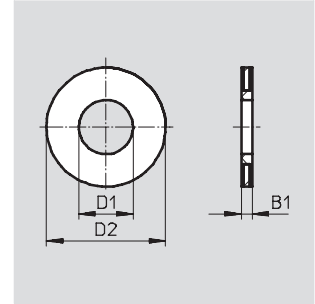
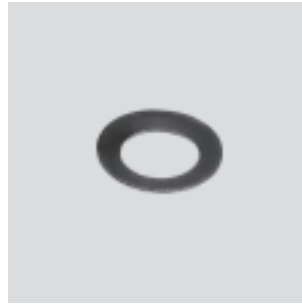
- Based on ISO 16030 standard
- Seals at room temperature when tightened by hand
- Captive design
- Compatible with the existing O and OL sealing rings



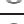


 Temperature range
-10 ... +60 °C

 Pressure
-0.95 ... +10 bar

Note on materials:
Free of copper and PTFE
Conforms to RoHS

Certification:
Germanischer Lloyd



Dimensions and ordering data										
For thread	Min. tightening torque [Nm]	Max. tightening torque [Nm]	D1	D2	B1	CRC ¹⁾	Weight [g]	Part No.	Type	PU*
Stainless steel, nitrile rubber										
M3	0.15	0.8	2.5	5.5	0.5	2	0.04	130 849	OK-M3	1
M5	0.25	2.4	4.3	7.8	0.5		0.1	130 850	OK-M5	1
M7	0.3	6.4	6.4	9.8	0.5		0.1	130 851	OK-M7	1
Polyamide, thermoplastic polyurethane										
G1/8	2	5	9.9	13.15	1.60	2	0.12	531 771	OK-1/8	 New 1
G1/4	10	12	13.3	18.15	2.20		0.32	531 772	OK-1/4	 New 1
G3/8	10	15	16.8	22.15	2.20		0.44	531 773	OK-3/8	 New 1
G1/2	10	18	21.2	26.45	2.35		0.6	531 774	OK-1/2	 New 1
G3/4	30	40	26.7	32.45	2.95		1	531 775	OK-3/4	 New 1

1) Corrosion resistance class 2 according to Festo standard 940 070

Components requiring moderate corrosion resistance. Externally visible parts with primarily decorative surface requirements which are in direct contact with a normal industrial environment or media such as coolants or lubricating agents.

* Packaging unit quantity

Sealing material

Technical data

Sealing ring assortment OL-S1

This polymer assortment box contains OL sealing rings ranging in size from M5 to G $\frac{3}{4}$.



Ordering data					
Contents	Quantity	Max. perm. tightening torque [Nm]	Weight [g]	Part No.	Type
OL-M5	50	2	1	161 355	OL-S1
OL-1/8	100	4	1		
OL-1/4	100	11	1		
OL-3/8	40	40	2		
OL-1/2	30	50	2		
OL-3/4	10	100	2		

Thread sealing tape GWB-0,1



Ordering data				
Width [mm]	Thickness [mm]	Length [m]	Part No.	Type
10	0.1	12.5	9076	GWB-0,1