

Electrical connection technology, for multi-pin plug connection

Technical data – SD-SUB-BU...

- Plug socket for multi-pin connection
- Can be fabricated with any cable lengths
- 9-pin or 25-pin
- Sub-D



General technical data		
Type	SD-SUB-BU...	
Type of mounting	2 M3x16 screws	
Mounting position	Any	
Operating voltage range	[V]	250 AC
	[V]	250 DC
Current-carrying capacity	[A]	5
Protection class to EN 60 529		IP65 (assembled)
Material of housing		Polyamide (Schulamid, 6GB30)
Material of contacts		Gold-plated copper base alloy
Material of seal		Nitrile rubber (NBR)
Ambient temperature	[°C]	-55 ... +125

Ordering data						
	Electrical connection	Cable gland connection	Perm. cable diameter [mm]	Product weight [g]	Type	Part No.
	9-pin Sub-D socket	PG9	6 ... 9	38	SD-SUB-D-BU9	18 708
	25-pin Sub-D socket	PG11	7 ... 12	53	SD-SUB-D-BU25	18 709

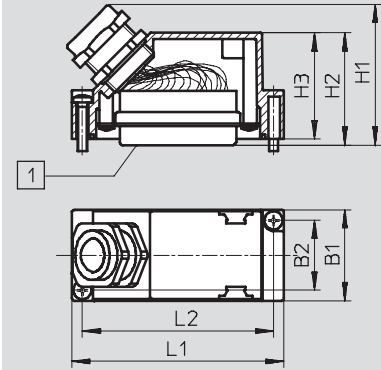
Electrical connection technology, for multi-pin plug connection

Technical data – SD-SUB-BU-...

Dimensions

Download CAD data → www.festo.com

SD-SUB-BU-...



Type	1	B1	B2	H1	H2	H3	L1	L2
SD-SUB-D-BU9	9-pin Sub-D socket	30	23	43	37	35	50	43
SD-SUB-D-BU25	25-pin Sub-D socket	30	23	47	37	35	70	63