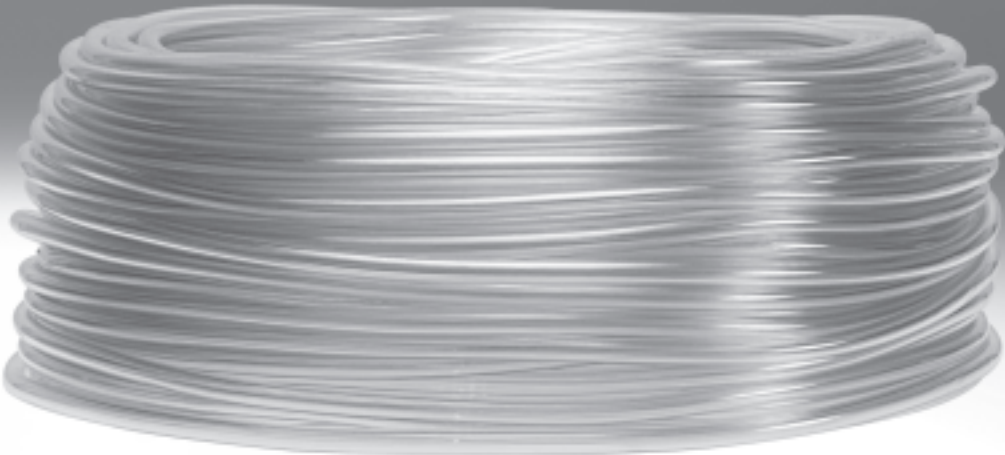


Plastic tubing


**FESTO**



# Plastic tubing

Product range overview



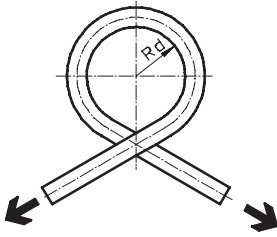
Version	Type	Inside Ø [mm]	Colour				Operating medium			Shore hardness	→ Page/ Internet
			Silver	Blue	Black	Natural	Compressed air	Vacuum	Water (not drinking water)		
	PCN Polyvinyl chloride	4	-	-	-	■	■	-	■	76	6
	P Nitrile rubber	6, 9	-	■	■	-	■	■	■	68	5
		13, 19								71	
PX Nitrile rubber	4, 6, 9	■	-	-	-	■	■	■	75	5	

# Plastic tubing

Technical data

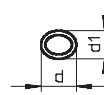
## Measuring methods

### Flow-relevant bending radius $R_d$



The tubing is bent in the direction of its inherent flexion until a 5% flattening of the tubing O.D. occurs. The  $R_d$  is then calculated.

There is no reduction in the flow rate up until the  $R_d$  is reached.

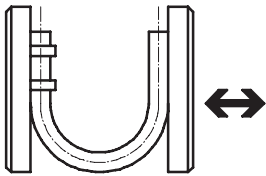


Cross section flattened as a result of bended tubing

$d$  = non deformed tubing OD

$d_1$  = deformed tubing OD

### Minimum bending radius $R_{min}$

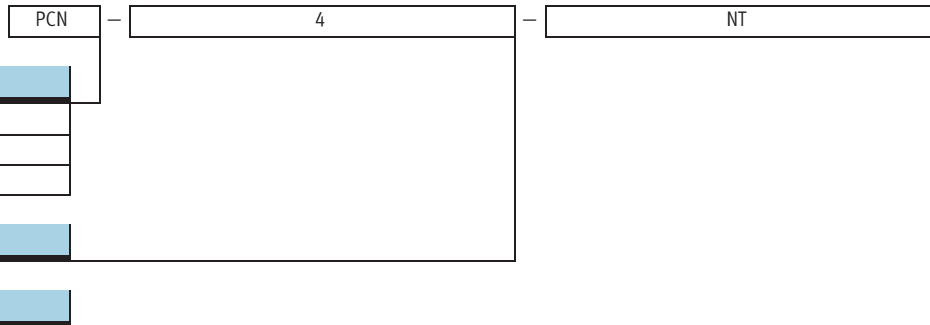


The tubing attached to a movable plate is bent until the deformation results in a kink.

The measured value is the minimum bending radius  $R_{min}$ . This  $R_{min}$  leads to considerable reductions in flow.

# Plastic tubing

Type codes



**Material**

PCN	Polyvinyl chloride
P	Nitrile rubber
PX	Nitrile rubber

**Internal Ø [mm]**

**Colour**

-	Silver
SW	Black
BL	Blue
NT	Natural

# Rubber hoses P/PX

Technical data



## Rubber hose P, with textile reinforcement

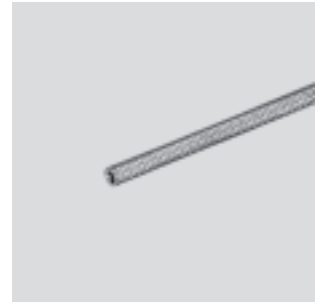
Compressed air tubing with textile reinforcement, for female hose connector type N

- - Ambient temperature  
-20 ... +80 °C

- - Temperature dependent  
operating pressure  
-0.95 ... 16 bar

Material:  
P-6/P-9: Nitrile rubber  
P-13/P-19: Ethylene propylene  
rubber, styrene-butadiene rubber

Note on material:  
Free of copper and PTFE  
RoHS-conform



Dimensions and ordering data								
O.D. [mm]	I.D. [mm]	Min. bending radius [mm]	Flow-relevant bending radius [mm]	Weight [kg/m]	Colour	Part No.	Type	PU <sup>1)</sup> [m]
13	6	20	45	0.144	Blue	2 231	P-6-BL	40
16	9	30	60	0.186	Blue	2 232	P-9-BL	40
23	13	50	100	0.400	Black	2 234	P-13-SW	40
31	19	60	200	0.649	Black	2 235	P-19-SW	40

1) Packaging unit

## Rubber hose PX, with metal braiding

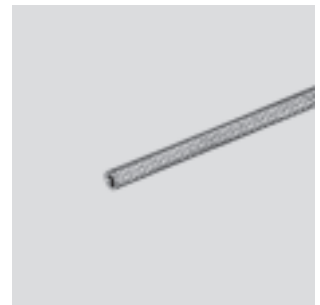
For fitting CX  
Heavy duty tubing

- - Ambient temperature  
-20 ... +80 °C

- - Temperature dependent  
operating pressure  
0 ... 12 bar

Material:  
Nitrile rubber

Material note:  
Contains paint wetting impairment  
substances



Dimensions and ordering data								
O.D. [mm]	I.D. [mm]	Flow-relevant bending radius [mm]	Weight [kg/m]	Colour	Part No.	Type	PU <sup>1)</sup> [m]	
7	4	20	0.101	Silver	4 093	PX-4	40	
9	6	30	0.140	Silver	4 094	PX-6	40	
12	9	45	0.171	Silver	4 095	PX-9	40	

1) Packaging unit


## Plastic tubing PCN


Technical data

FESTO

### Plastic tubing PCN

for use with condensate drains on D series service units

-  - Ambient temperature  
-10 ... +60 °C

-  - Temperature dependent  
operating pressure  
-0.5 ... +0.25 bar

Material:  
Polyvinyl chloride with reinforcing  
fabric



Dimensions and ordering data						
O.D. [mm]	I.D. [mm]	Weight [kg/m]	Colour	Part No.	Type	PU <sup>1)</sup> [m]
6.5	4	0.025	Natural	7 134	PCN-4-NT	50

1) Packaging unit