



- Simple and reliable connection and release
- With R, G, and metric thread
- Wide range of variants:
Standard, mini, metal, stainless steel,
flame retardant
- QSM-B and QS-B at attractive prices
thanks to larger packaging quantities





Specified types in accordance with ATEX
directive for potentially explosive
atmospheres



➔ www.festo.com/en/ex

Push-in fittings QS, Quick Star

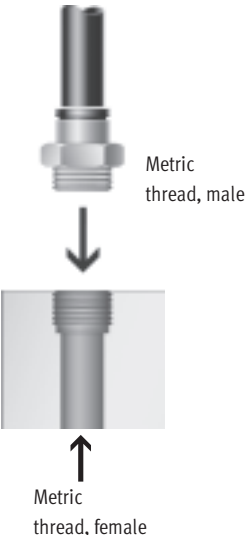
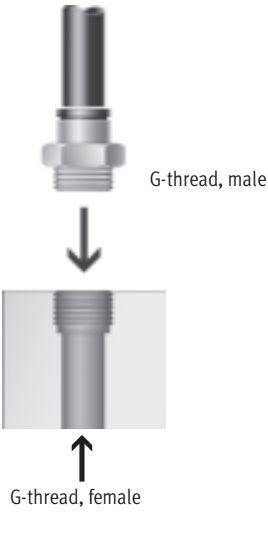
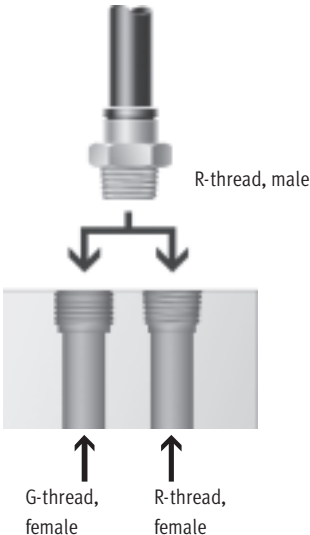
Key features



Application	Simply "plug and work"	Reliably connected	Captive seal
 <p>Effortless selection of the right fitting. Quick Star offers a secure solution for every connection. The convenient push-in fitting system includes well over 1000 types of standard and function fittings.</p>	 <p>The stainless steel retaining claw within the fitting holds the tubing securely without damaging its surface. Vibration and pressure surges are safely absorbed. The tubing can be detached easily by pressing down the blue release ring. For your convenience, the appropriate outside tubing diameter is marked on the release ring.</p>	 <p>A nitrile rubber sealing ring guarantees a perfect seal between standard OD tubing and the body of the fitting. Standard tubing is suitable for use with compressed air and vacuum.</p>	 <p>All brass parts of Festo's push-in fittings are nickel plated and are thus highly resistant to corrosion. The tapered ISO R threads have a self-sealing PTFE coating, which allows the fitting to be re-used up to five times without the need for additional sealing components.</p>

Can be repositioned 360°	360° rotatable, with ball bearing
 <p>Alignment is performed during assembly. Tube movement is compensated during use.</p>	 <p>Permits rotating motion of up to 500 rpm during use.</p>

Which fitting fit which thread?

Metric parallel thread	G parallel thread to DIN ISO 228-1	R tapered thread to DIN 2999-1 and ISO 7/1
<ul style="list-style-type: none"> Cylindrical metric thread is comparable with G thread Sealing is guaranteed via a sealing ring Sealing on front face 	<ul style="list-style-type: none"> Shorter thread Constant installation depth Replaceable sealing ring Sealing on front face Can be re-used a number of times thanks to replaceable sealing ring 	<ul style="list-style-type: none"> Self-sealing thread Sealing via coated threads No additional sealing surface required Smaller installation dimensions since there is no need for a rebate for the sealing surface Can be re-used up to five times
 <p>Metric thread, male</p> <p>Metric thread, female</p>	 <p>G-thread, male</p> <p>G-thread, female</p>	 <p>R-thread, male</p> <p>G-thread, female</p> <p>R-thread, female</p>

Push-in fittings QS, Quick Star

Key features

Push-in fitting QSM Quick Star, mini



Miniature push-in fitting for maximum assembly in minimum fitting space. For pneumatic applications with a temperature range up to 80°C and a pressure range up to 14 bar. Tubing outside diameters of 3, 4 and 6 mm with connecting threads M3, M5, M7, R $\frac{1}{8}$ and G $\frac{1}{8}$.

Push-in fitting QS Quick Star, standard



Wide selection of push-in fittings for pneumatic applications with a temperature range up to 80°C and a pressure range up to 14 bar. Tubing outside diameters of 4, 6, 8, 10, 12 and 16 mm with connecting threads from R $\frac{1}{8}$... R $\frac{1}{2}$ and G $\frac{1}{8}$... G $\frac{1}{2}$.

Push-in fitting QSM-B Quick Star, mini



Miniature push-in fitting for maximum assembly in minimum fitting space. For core pneumatic applications with a temperature range up to 60 °C and a pressure range up to 10 bar. Tubing outside diameters of 3, 4 and 6 mm with connecting threads M3, M5, M7, R $\frac{1}{8}$ and G $\frac{1}{8}$.

Push-in fitting QS-B Quick Star, standard



Push-in fittings for core pneumatic applications with a temperature range up to 60°C and a pressure range up to 10 bar. Tubing outside diameters of 4, 6, 8, 10, 12 and 16 mm with connecting threads from R $\frac{1}{8}$... R $\frac{1}{2}$.

Push-in fitting QS-F Quick Star, metal



Solid-metal push-in fitting with chrome plated surface coating. High corrosion resistance (CRC3) and chemical resistance with approval for use in the food and packaging industry. For pneumatic applications with a temperature range up to 150 °C and a pressure range up to 16 bar. Tubing outside diameters of 4, 6, 8, 10 and 12 mm with connecting threads M5, M7 and G $\frac{1}{8}$... G $\frac{1}{2}$.

Push-in fitting CRQS Quick Star, stainless steel



Stainless steel push-in fitting. High corrosion resistance (CRC4) and chemical resistance with approval for use in the food and packaging industry. For pneumatic applications with a temperature range up to 120°C and a pressure range up to 10 bar. Tubing outside diameters of 4, 6, 8, 10, 12 and 16 mm with connecting threads M5 and R $\frac{1}{8}$... R $\frac{1}{2}$.

Push-in fitting QS-V0 Quick Star, flame-retardant



Flame-retardant push-in fitting for use in all areas where there is a risk of fire, for example welding systems in the automotive industry, and in construction. For pneumatic applications with a temperature range up to 60 °C and a pressure range up to 10 bar. Tubing outside diameters of 6, 8, 10 and 12 mm with connecting threads R $\frac{1}{8}$... R $\frac{1}{2}$ and G $\frac{1}{8}$... G $\frac{1}{2}$.

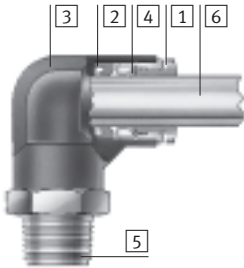
Push-in fittings QS, Quick Star

Technical data

FESTO

Materials

Sectional view



	Mini QSM Standard QS	Mini QSM-B Standard QS-B
1 Release ring	Polyacetate	Polyacetate
2 Seal	Nitrile rubber	Nitrile rubber
3 Body	Polybuteneterephthalate Nickel plated brass	Polybuteneterephthalate Nickel plated brass
4 Tube retaining claw	High alloy stainless steel	High alloy stainless steel
5 Threaded coupling	Nickel plated brass	Nickel plated brass M3: Stainless steel
6 Plastic tubing with standard O.D.	PAN PEN PUN PUN-H PUN-E	PAN PEN PUN PUN-H PUN-E
Note on materials	RoHS-conform	RoHS-conform

	Metal QS-F	Stainless steel CRQS	Flame-retardant QS-V0
1 Release ring	Nickel plated, chromated brass	High alloy stainless steel	Polybutylene terephthalate (flame-retardant)
2 Seal	Fluorocarbon rubber	Fluorocarbon rubber	Nitrile rubber
3 Body	Nickel plated, chromated brass	High alloy stainless steel	Polybutylene terephthalate (flame-retardant)
4 Tube retaining claw	Stainless steel	High alloy stainless steel	Stainless steel
5 Threaded coupling	Nickel plated, chromated brass (threaded seal: fluorocarbon rubber)	High alloy stainless steel	Nickel plated brass
6 Plastic tubing with standard O.D.	PAN PFAN PUN PUN-H PUN-V0 PLN	PFAN PUN-H PLN PUN-V0	PAN-V0
Note on materials	–	RoHS-conform	–

Tubing insertion depth



Tubing O.D. [mm]	3	4	6	8	10	12	16
Mini QSM	9.5	11.5	12	–	–	–	–
Standard QS	–	15 (QSW: 12)	17 (QSW: 12)	18	20.5	23.5	24.5
Mini QSM-B	–	11.5	12	–	–	–	–
Standard QS-B	–	14.9	16.9	18.3	20.7	23.2	–

Push-in fittings QS, Quick Star

Technical data


FESTO

Recommended tightening torque/screw-in depth



When using Quick Star push-in fittings with internal hex, ensure that the Allen key is not inserted too far into

the fitting to prevent the risk of damage to components behind the fitting.

 Note

Malfunctions may occur with function fittings when screwed too far into the connecting thread. The insertion depth and the recommended tightening torque must be observed. Damage may otherwise occur if the recommended tightening torque is exceeded by more than 50%.

Connecting thread	Tightening torque [Nm]	Approx. screw-in depth [mm]
M thread		
M3	0.7	2.5
M5	1.5	3
M7	2	5.5
R thread		
R $\frac{1}{8}$	7	4
R $\frac{1}{4}$	12	6
R $\frac{3}{8}$	22	6.5
R $\frac{1}{2}$	28	8
G thread		
G $\frac{1}{8}$	10	4.6
G $\frac{1}{4}$	15	6.6
G $\frac{3}{8}$	25	8.1
G $\frac{1}{2}$	40	11.1

Operating and environmental conditions

	Mini QSM	Standard QS	Mini QSM-B	Standard QS-B
Temperature dependent operating pressure [bar]	-0.95 ... +14		-0.95 ... +10	
Ambient temperature [°C]	-10 ... +80		0 ... 60	
Corrosion resistance CRC ¹⁾	1		1	
Certification	Germanischer Lloyd		Germanischer Lloyd	

	Metal QS-F	Stainless steel CRQS	Flame-retardant QS-V0
Temperature dependent operating pressure [bar]	-0.95 ... +16	-0.95 ... +10	-0.95 ... +10
Ambient temperature [°C]	0 ... 150 (-20 ... +150) ²⁾	-15 ... +120	0 ... 60
Corrosion resistance CRC ¹⁾	3	4	2
Food industry approval	FDA	-	-
Certification	Germanischer Lloyd	Germanischer Lloyd	Germanischer Lloyd
	-	-	UL - Recognized (OL)

- 1) Corrosion resistance class 1 according to Festo standard 940 070
Components requiring low corrosion resistance. Transport and storage protection. Parts that do not have primarily decorative surface requirements, e.g. in internal areas that are not visible or behind covers.
Corrosion resistance class 2 according to Festo standard 940 070
Components requiring moderate corrosion resistance. Externally visible parts with primarily decorative surface requirements which are in direct contact with a normal industrial environment or media such as coolants or lubricating agents.
Corrosion resistance class 3 according to Festo standard 940 070
Components requiring higher corrosion resistance. External visible parts in direct contact with industrial atmospheres or media such as solvents and cleaning agents, with a predominantly functional requirement for the surface.
Corrosion resistance class 4 according to Festo standard 940 070
Components requiring higher corrosion resistance. Parts used with aggressive media, e.g. food or chemical industry. These applications should be supported with special tests with the media if required.
- 2) Value range in brackets for screw connectors QS-F in conjunction with tubing PLN.

Push-in fittings QS, Quick Star

Technical data

FESTO

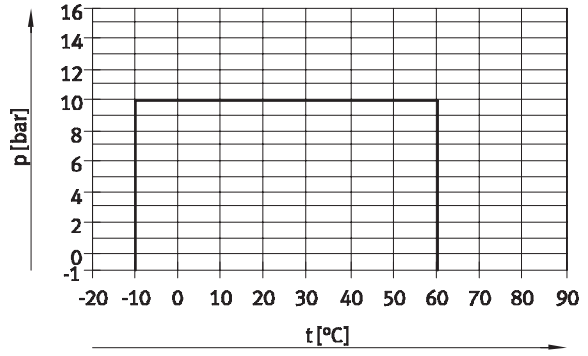
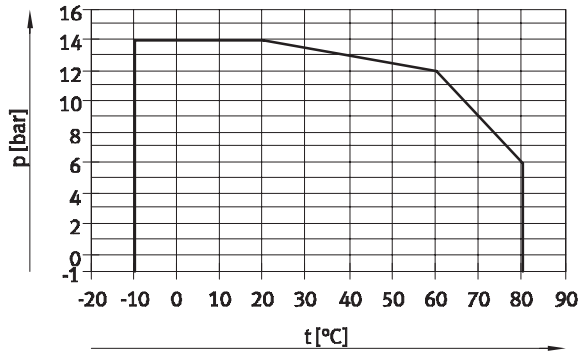
Operating pressure p as a function of temperature t

Mini QSM

Standard QS

Mini QSM-B

Standard QS-B



Push-in fittings QS, Quick Star

Technical data


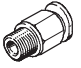





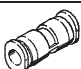


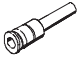

Possible push-in fitting/tubing combinations								
Type	Thread	Tubing O.D. [mm]						
		3	4	6	8	10	12	16
Mini QSM	M3	++	+	-	-	-	-	-
	M5	+	++	+	-	-	-	-
	M6	-	++	-	-	-	-	-
	M7	-	+	++	-	-	-	-
	M8	-	-	++	-	-	-	-
	R1/8	-	+	++	-	-	-	-
	G1/8	-	+	++	-	-	-	-
Standard QS	M5	-	++	+	-	-	-	-
	R1/8	-	+	++	+	+	-	-
	R1/4	-	+	+	+	+	+	-
	R3/8	-	-	+	+	++	+	+
	R1/2	-	-	-	-	-	++	-
	G1/8	-	+	++	+	-	-	-
	G1/4	-	-	+	++	+	+	-
	G3/8	-	-	-	+	++	+	+
G1/2	-	-	-	-	-	++	+	
Mini QSM-B	M3	++	+	-	-	-	-	-
	M5	+	++	+	-	-	-	-
	M7	-	+	++	-	-	-	-
Standard QS-B	R1/8	-	+	++	+	+	-	-
	R1/4	-	+	+	++	+	+	-
	R3/8	-	-	+	+	++	+	+
	R1/2	-	-	-	-	+	++	+
Flame-retardant QS-V0	R1/8	-	-	++	+	-	-	-
	R1/4	-	-	+	++	+	+	-
	R3/8	-	-	-	+	++	+	-
	R1/2	-	-	-	-	+	++	-
	G1/8	-	-	++	+	-	-	-
	G1/4	-	-	+	++	+	+	-
	G3/8	-	-	-	+	++	+	-
G1/2	-	-	-	-	+	++	-	
Metal QS-F	M5	-	++	+	-	-	-	-
	M7	-	+	++	-	-	-	-
	G1/8	-	+	++	+	-	-	-
	G1/4	-	-	+	++	+	-	-
	G3/8	-	-	-	+	++	+	-
	G1/2	-	-	-	-	+	++	-
Stainless steel CRQS	M5	-	++	+	-	-	-	-
	R1/8	-	-	++	+	-	-	-
	R1/4	-	-	-	++	+	-	-
	R3/8	-	-	-	-	++	+	-
	R1/2	-	-	-	-	-	++	+

- + Possible thread/tubing O.D. combinations
- ++ Optimum thread/tubing O.D. combinations (with regard to flow)

Push-in fittings QSM, Quick Star, mini

Product range overview













FESTO

Design	Version	Type	Connection D1					Connection D2 Tubing O.D.	→ Page/ Internet
			M thread	R thread	G thread	Tubing O.D.	Push-in sleeve Ø		
Straight design	Push-in fitting – Male thread with external hex								
		QSM	M3	-	-	-	-	3, 4	26
			M5					3, 4, 6	
			M6					6	
		QSM	-	R1/8	G1/8	-	-	4, 6	
	Push-in fitting – Male thread with internal hex								
		QSM-...-I	M3	-	-	-	-	3, 4	27
			M5					3, 4, 6	
			M7					R1/8	
	Push-in fitting – Male thread with internal hex								
		QSM-...-I-R	M3	-	-	-	-	3, 4	28
			M5					3, 4, 6	
			M7					6	
	Push-in fitting – Female thread with external hex								
		QSMF	M3	-	-	-	-	3, 4	29
			M5					3, 4	
	Push-in fitting – Male thread with internal hex								
		QSMP	M6x0.75	-	-	-	-	4	29
			M8x0.75					6	
	Push-in connector								
	QSM	-	-	-	-	-	3	30	
							4		
							6		
	QSM Reducing	-	-	-	-	-	4	30	
							6		3
Push-in bulkhead connector									
	QSMS	-	-	-	-	-	3	30	
							4		
							6		
Push-in cap									
	QSMC	-	-	-	3	-	-	31	
Push-in connector with sleeve									
	QSM-...H	-	-	-	-	-	4	31	
							6		3
Blanking plug									
	QSMC-...H	-	-	-	-	3	-	31	

Push-in fittings QSM, Quick Star, mini

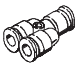
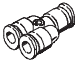
Product range overview

FESTO

Design	Version	Type	Connection D1					Connection D2		→ Page/ Internet	
			M thread	R thread	G thread	Tubing O.D.	Push-in sleeve Ø	Tubing O.D.			
L-shape	Push-in L-fitting, rotatable 360° – Male thread with external hex										
		QSML	M3	–	–	–	–	–	3, 4	32	
			M5						3, 4, 6		
			M7	R1/8	G1/8	4, 6					
	Push-in long L-fitting, rotatable 360° – Male thread with external hex										
		QSMLL	M3	–	–	–	–	–	3, 4	33	
			M5						3, 4, 6		
			M7	R1/8	G1/8	4, 6					
	Push-in L-fitting, rotatable 360° – Male thread with internal hex										
		QSMLV-...-I	M5	–	–	–	–	–	3, 4	34	
			M7						4, 6		
	Push-in long L-fitting, rotatable 360° – Male thread with internal hex										
		QSMLLV-...-I	M5	–	–	–	–	–	3, 4	34	
			M7						4, 6		
Push-in L-connector											
	QSML	–	–	–	–	–	–	3	–	35	
								4			
								6			
Push-in L-connector with sleeve											
	QSML-...H	–	–	–	–	–	–	3	3	35	
								4			
								6			
	QSML-...H Reducing	–	–	–	–	–	–	4	3	35	
								6			4
T-shape	Push-in T-fitting, rotatable 360° – Male thread with external hex										
		QSMT	M3	–	–	–	–	–	3, 4	36	
			M5						3, 4, 6		
			–	R1/8	G1/8	4, 6					
		QSMTL	M3	–	–	–	–	–	3, 4	37	
			M5						3, 4, 6		
			–	R1/8	G1/8	4, 6					
	Push-in T-connector										
	QSMT	–	–	–	–	–	–	3	3	38	
								4			
								6			
	QSMT Reducing	–	–	–	–	–	–	4	3	38	
								6			4
X-shape	Push-in X-connector										
		QSMX	–	–	–	–	–	–	3	–	39
									4		
	6										

Push-in fittings QSM, Quick Star, mini





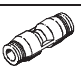


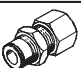
Product range overview

Design	Version	Type	Connection D1					Connection D2 Tubing O.D.	→ Page/ Internet
			M thread	R thread	G thread	Tubing O.D.	Push-in sleeve Ø		
Y-shape	Push-in Y-connector								
		QSMY	-	-	-	3	-	3	39
						4		4	
						6		6	
		QSMY Reducing	-	-	-	4	-	3	39
						6		4	

Push-in fittings QS, Quick Star, standard

Product range overview

FESTO




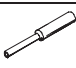
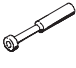

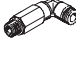

Design	Version	Type	Connection D1				Connection D2			→ Page/ Internet
			M thread	R thread	G thread	Tubing O.D.	Push-in sleeve Ø	Tubing O.D.	Push-in sleeve Ø	
Straight design	Push-in fitting – Male thread with external hex									
		QS	–	R ¹ / ₈ R ¹ / ₄ R ³ / ₈ R ¹ / ₂	G ¹ / ₈ G ¹ / ₄ G ³ / ₈ G ¹ / ₂	–	–	4, 6, 8, 10 ¹⁾ 4 ¹⁾ , 6, 8, 10, 12 6 ¹⁾ , 8, 10, 12, 16 10 ¹⁾ , 12, 16	–	40
	Push-in fitting – Male thread with internal hex									
		QS-...-I	–	R ¹ / ₈ R ¹ / ₄ R ³ / ₈ R ¹ / ₂	G ¹ / ₈ G ¹ / ₄ G ³ / ₈ G ¹ / ₂	–	–	4, 6, 8, 10 ¹⁾ 6, 8, 10, 12 ¹⁾ 8, 10, 12 10 ¹⁾ , 12	–	42
	Push-in fitting – Female thread with external hex									
		QSF	–	–	G ¹ / ₈ G ¹ / ₄ G ³ / ₈ G ¹ / ₂	–	–	4, 6, 8 4, 6, 8, 10, 12 6, 8, 10, 12 12, 16	–	43
	Push-in connector									
		QS	–	–	–	4 6 8 10 12 16	–	4 6 8 10 12 16	–	44
		QS Reducing	–	–	–	6 8 10 12	–	4 4, 6 6, 8 8, 10	–	44
	Push-in bulkhead connector									
		QSS	–	–	–	4 6 8 10 12	–	–	–	45
	Push-in bulkhead connector with fixed collar									
		QSS-...-F	–	–	–	4 6 8 10 12	–	–	–	45
	Push-in bulkhead fitting with female thread									
		QSSF	–	–	G ¹ / ₈ G ¹ / ₄ G ³ / ₈ G ¹ / ₂	–	–	4, 6, 8 4, 6, 8, 10 6, 8, 10, 12 12, 16	–	46

1) Only in conjunction with R thread

Push-in fittings QS, Quick Star, standard

Product range overview

FESTO



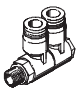




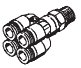
Design	Version	Type	Connection D1					Connection D2		→ Page/ Internet
			M thread	R thread	G thread	Tubing O.D.	Push-in sleeve Ø	Tubing O.D.	Push-in sleeve Ø	
Straight design	Push-in cap									
		QSC	–	–	–	4	–	–	–	47
						6				
						8				
						10				
						12				
	Push-in connector with sleeve									
		QS-...H	–	–	–	–	6	4	–	47
							8	4, 6		
							10	6, 8		
						12	8, 10			
Push-in sleeve										
	QSH	–	–	–	–	4	–	–	48	
						6				
						8				
						10				
						12				
						16				
	QSH Reducing	–	–	–	–	6	–	4	48	
						8		4, 6		
						10		6, 8		
						12		8, 10		
						16		12		
Blanking plug										
	QSC-...H	–	–	–	–	4	–	–	49	
						6				
						8				
						10				
						12				
						16				
L-shape	Push-in L-fitting, rotatable 360° – Male thread with external hex									
		QSL	–	R ¹ / ₈	G ¹ / ₈	–	–	4, 6, 8, 10 ¹⁾	–	50
				R ¹ / ₄	G ¹ / ₄			4 ¹⁾ , 6, 8, 10, 12		
				R ³ / ₈	G ³ / ₈			6 ¹⁾ , 8, 10, 12, 16		
				R ¹ / ₂	G ¹ / ₂			10 ¹⁾ , 12, 16		
	Push-in long L-fitting, rotatable 360° – Male thread with external hex									
		QSLL	–	R ¹ / ₈	G ¹ / ₈	–	–	4, 6, 8	–	52
				R ¹ / ₄	G ¹ / ₄			4 ¹⁾ , 6, 8, 10, 12 ²⁾		
				R ³ / ₈	G ³ / ₈			6 ¹⁾ , 8, 10, 12		
				R ¹ / ₂	G ¹ / ₂			10 ¹⁾ , 12, 16 ²⁾		
Push-in L-fitting – Female thread with external hex										
	QSLF	–	–	G ¹ / ₈	–	–	4, 6, 8	–	53	
				G ¹ / ₄			6, 8, 10			
				G ³ / ₈			8, 10			

1) Only in conjunction with R thread
2) Only in conjunction with G thread

Push-in fittings QS, Quick Star, standard

Product range overview








FESTO

Design	Version	Type	Connection D1					Connection D2		→ Page/ Internet
			M thread	R thread	G thread	Tubing O.D.	Push-in sleeve Ø	Tubing O.D.	Push-in sleeve Ø	
L-shape	Push-in L-fitting, rotatable 360° – Male thread with internal hex									
		QSLV-...-I	–	R1/8	G1/8	–	–	6, 8	–	54
				R1/4	G1/4			6, 8, 10		
				R3/8	G3/8			8, 10, 12		
				R1/2	G1/2			12		
	Push-in L-fitting, rotatable 360° – Male thread with external hex									
		QSLV	M5	–	–	–	–	6	–	55
				R1/8	G1/8	–	–	4, 6, 8	–	
				R1/4	G1/4			6, 8, 10		
				R3/8	G3/8			8, 10, 12		
				R1/2	G1/2			12, 16		
	Multiple distributor, rotatable 360° – 2 outlets									
		QSLV2	–	R1/8	G1/8	–	–	4, 6, 8	–	qslv
				R1/4	G1/4			6, 8, 10		
				R3/8	G3/8			8, 10, 12		
				R1/2	G1/2			12		
Multiple distributor, rotatable 360° – 3 outlets										
	QSLV3	–	R1/8	G1/8	–	–	4, 6, 8	–	qslv	
			R1/4	G1/4			6, 8, 10			
			R3/8	G3/8			8, 10, 12			
			R1/2	G1/2			12			
Multiple distributor, rotatable 360° – 4 outlets										
	QSLV4	–	R1/8	G1/8	–	–	4, 6, 8	–	qslv	
			R1/4	G1/4			6, 8, 10			
			R3/8	G3/8			8, 10, 12			
			R1/2	G1/2			12			
Multiple distributor, rotatable 360° – 6 outlets										
	QSLV6	–	R1/8	G1/8	–	–	4, 6, 8	–	qslv	
			R1/4	G1/4			6, 8, 10			
			R3/8	G3/8			8, 10, 12			
			R1/2	G1/2			12			
Multiple distributor, rotatable 360° – 4 outlets										
	QSQ	–	R1/8	G1/8	–	–	4, 6	–	qsq	
			R1/4	G1/4			4, 6			
	QSQ Reducing	–	–	–	6	–	4	–	qsq	
					8		6			

Push-in fittings QS, Quick Star, standard

Product range overview

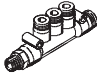
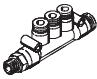
FESTO



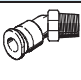
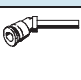

Design	Version	Type	Connection D1					Connection D2		→ Page/ Internet	
			M thread	R thread	G thread	Tubing O.D.	Push-in sleeve Ø	Tubing O.D.	Push-in sleeve Ø		
L-shape	Push-in L-connector										
		QSL	-	-	-	4	-	-	-	57	
						6					
						8					
						10					
						12					
						16					
	Push-in L-connector with sleeve										
		QSL-...H	-	-	-	-	-	4	4	-	58
								6	6		
								8	8		
								10	10		
								12	12		
	QSL-...H Reducing	-	-	-	-	-	6	4	-	58	
							8	6			
							10	8			
							12	10			
	QSL-...HL Long push-in sleeve	-	-	-	-	-	4	4	-	58	
							6	6			
							8	8			
							10	10			
							12	12			
T-shape	Push-in T-fitting, rotatable 360° – Male thread with external hex										
		QST	-	R $\frac{1}{8}$	G $\frac{1}{8}$	-	-	-	4, 6, 8, 10 ¹⁾	-	59
				R $\frac{1}{4}$	G $\frac{1}{4}$				4 ¹⁾ , 6, 8, 10, 12		
				R $\frac{3}{8}$	G $\frac{3}{8}$				6 ¹⁾ , 8, 10, 12, 16		
				R $\frac{1}{2}$	G $\frac{1}{2}$				10, ¹⁾ 12, 16		
	Push-in T-connector										
		QST	-	-	-	4	-	-	4	-	61
						6			6		
						8			8		
						10			10		
						12			12		
						16			16		
		QST Reducing	-	-	-	6	-	-	4	-	61
8						4, 6					
10						6, 8					
12						8, 10					
16						12					

1) Only in conjunction with R thread

Push-in fittings QS, Quick Star, standard

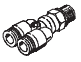
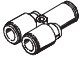

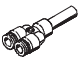
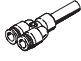
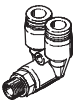
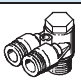

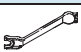
Product range overview

Design	Version	Type	Connection D1				Connection D2		Connection D3	→ Page/ Internet
			R thread	G thread	Tubing O.D.	Push-in sleeve Ø	Tubing O.D.	Push-in sleeve Ø	Tubing O.D.	
T-shape	Multiple distributor, rotatable 360° – 3 outlets									
		QST3	R 1/8	G 1/8	–	–	6	–	4	qst
			R 1/4	G 1/4			8		6	
			R 3/8	G 3/8			10		8	
		QST3 Reducing	–	–	6	–	6	–	4	qst
			–	–	8	–	8	–	6	
–			–	10	–	10	–	8		

Design	Version	Type	Connection D1				Connection D2		→ Page/ Internet		
			M thread	R thread	G thread	Tubing O.D.	Push-in sleeve Ø	Tubing O.D.		Push-in sleeve Ø	
T-shape	Push-in T-fitting, rotatable 360° – Male and female thread with external hex										
		QSTF	–	R 1/8	G 1/8	–	–	4, 6, 8	–	62	
			–	R 1/4	G 1/4			6, 8, 10			
			–	R 3/8	G 3/8			8, 10, 12			
			–	R 1/2	G 1/2			12			
	Push-in T-fitting, rotatable 360° – Male thread with external hex										
		QSTL	–	R 1/8	G 1/8	–	–	4, 6, 8	–	63	
			–	R 1/4	G 1/4			6, 8, 10			
			–	R 3/8	G 3/8			8, 10, 12			
			–	R 1/2	G 1/2			12, 16			
Angled design	Push-in fitting – Male thread with external hex										
		QSW	–	R 1/8	–	–	–	4, 6, 8	–	65	
			–	R 1/4	–			6, 8, 10			
			–	R 3/8	–			10, 12			
			–	R 1/2	–			12, 16			
	Push-in connector with sleeve										
		QSW-HL	–	–	–	–	–	4	4	–	65
			–	–	–			6	6		
–			–	–	8			8			
–			–	–	10			10			
X-shape	Push-in X-connector										
		QSX	–	–	–	8	–	–	–	66	
			–	–	–	10	–	–	–		
–			–	–	12	–	–	–			

Push-in fittings QS, Quick Star, standard

Product range overview


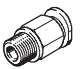

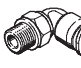

Design	Version	Type	Connection D1				Connection D2			→ Page/ Internet	
			M thread	R thread	G thread	Tubing O.D.	Push-in sleeve Ø	Tubing O.D.	Push-in sleeve Ø		
Y-shape	Push-in Y-fitting, rotatable 360° – Male thread with external hex										
		QSY	-	M5	-	-	-	-	4, 6	-	67
				-	R1/8	G1/8	-	-	4, 6, 8		
				-	R1/4	G1/4	-	-	4 ¹⁾ , 6, 8, 10		
				-	R3/8	G3/8	-	-	8, 10, 12		
				-	R1/2	G1/2	-	-	12		
	Push-in Y-connector										
		QSY	-	-	-	-	4	-	4	-	69
							6	6			
							8	8			
							10	10			
							12	12			
		QSY Reducing	-	-	-	-	6	-	4	-	69
							8	4, 6			
							10	6, 8			
12							8, 10				
16							12				
Push-in Y-connector with sleeve											
	QSY-...H	-	-	-	-	4	-	4	-	70	
						6	6				
						8	8				
						10	10				
						12	12				
	QSY-...H Reducing	-	-	-	-	6	-	4	-	70	
						8	6				
						10	8				
						12	10				
						-	-				
Push-in Y-fitting, rotatable 360° – Male thread with external hex											
	QSYL	-	-	R1/8	G1/8	-	-	4, 6, 8	-	71	
				R1/4	G1/4			6, 8, 10			
				R3/8	G3/8			8, 10, 12			
				R1/2	G1/2			12			
				-	-			-			
Push-in Y-fitting, rotatable 360° – Male thread with external hex											
	QSYLV	-	-	R1/8	G1/8	-	-	6	-	72	
				R1/4	G1/4			8			
				R3/8	G3/8			10			
				R1/2	G1/2			12			
				-	-			-			
Push-in Y-fitting – Male and female thread with external hex											
	QSYTF	-	-	R1/8	G1/8	-	-	6	-	73	
				R1/4	G1/4			8			
				R3/8	G3/8			10			
				R1/2	G1/2			12			
				-	-			-			
Release tool	Quick-release tool for QS push-in fittings and connectors										
		QSO	-							114	

1) Only in conjunction with R thread

Push-in fittings QSM-B, Quick Star, mini

Product range overview



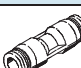

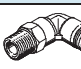
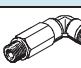


FESTO

Design	Version	Type	Connection D1		Connection D2	→ Page/ Internet
			M thread	R thread	Tubing O.D.	
Straight design	Push-in fitting – Male thread with external hex					
		QSM-B	M3	–	3, 4	74
			M5		3, 4, 6	
		–	–	R1/8	4, 6	
				–	–	
	Push-in fitting – Male thread with internal hex					
	QSM-B-...-I	M3	–	3, 4	75	
		M5		3, 4, 6		
		M7		4, 6		
		–	R1/8	4, 6		
L-shape	Push-in L-fitting, rotatable 360° – Male thread with external hex					
		QSM-L-B	M3	–	3, 4	76
			M5		3, 4, 6	
			M7		4, 6	
			–	R1/8	4, 6	
T-shape	Push-in T-fitting, rotatable 360° – Male thread with external hex					
		QSM-T-B	M3	–	3, 4	77
			M5		3, 4, 6	
			–	R1/8	4, 6	

Push-in fittings QS-B, Quick Star

Product range overview



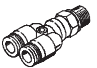
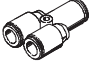

FESTO

Design	Version	Type	Connection D1			Connection D2		→ Page/ Internet	
			M thread	R thread	Tubing O.D.	Tubing O.D.			
Straight design	Push-in fitting – Male thread with external hex								
		QS-B	–	R $\frac{1}{8}$	–	–	4, 6, 8, 10		78
				R $\frac{1}{4}$			4, 6, 8, 10, 12		
				R $\frac{3}{8}$			6, 8, 10, 12, 16		
				R $\frac{1}{2}$			10, 12, 16		
	Push-in fitting – Male thread with internal hex								
		QS-B-...-I	–	R $\frac{1}{8}$	–	–	4, 6, 8, 10		79
				R $\frac{1}{4}$			6, 8, 10, 12		
				R $\frac{3}{8}$			8, 10, 12		
				R $\frac{1}{2}$			10, 12		
Push-in connector									
	QS-B	–	–	–	4	4	80		
					6	6			
					8	8			
					10	10			
					12	12			
	QS-B Reducing	–	–	–	6	4	80		
					8	4, 6			
					10	6, 8			
					12	8, 10			
L-shape	Push-in L-fitting, rotatable 360° – Male thread with external hex								
		QSL-B	–	R $\frac{1}{8}$	–	–	4, 6, 8, 10		81
				R $\frac{1}{4}$			4, 6, 8, 10, 12		
				R $\frac{3}{8}$			6, 8, 10, 12, 16		
				R $\frac{1}{2}$			10, 12, 16		
	Push-in long L-fitting, rotatable 360° – Male thread with external hex								
		QSL-B	–	R $\frac{1}{8}$	–	–	4, 6, 8		82
				R $\frac{1}{4}$			6, 8, 10		
				R $\frac{3}{8}$			6, 8, 10, 12		
				R $\frac{1}{2}$			10, 12		
Push-in L-connector									
	QSL-B	–	–	–	4	–	82		
					6				
					8				
					10				
					12				
					16				
T-shape	Push-in T-fitting, rotatable 360° – Male thread with external hex								
		QST-B	–	R $\frac{1}{8}$	–	–	4, 6, 8, 10		83
				R $\frac{1}{4}$			4, 6, 8, 10, 12		
				R $\frac{3}{8}$			6, 8, 10, 12, 16		
				R $\frac{1}{2}$			10, 12, 16		

Push-in fittings QS-B, Quick Star

Product range overview

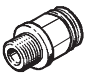

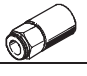
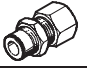



FESTO

Design	Version	Type	Connection D1			Connection D2		→ Page/ Internet
			M thread	R thread	Tubing O.D.	Tubing O.D.		
T-shape	Push-in T-connector							
		QST-B	-	-	-	4	4	84
						6	6	
						8	8	
						10	10	
						12	12	
						16	16	
	Push-in T-fitting, rotatable 360° – Male thread with external hex							
		QSTL-B	-	-	R1/8	-	4, 6, 8	85
					R1/4		4, 6, 8	
R3/8					6, 8, 10, 12			
R1/2					10, 12, 16			
Y-shape	Push-in Y-fitting, rotatable 360° – Male thread with external hex							
		QSY-B	M5	-	-	4, 6	86	
			-	R1/8		4, 6, 8		
				R1/4		4, 6, 8, 10		
				R3/8		6, 8, 10, 12		
				R1/2		10, 12		
	Push-in Y-connector							
		QSY-B	-	-	-	4	4	87
						6	6	
						8	8	
10						10		
12						12		
	QSY-B Reducing	-	-	-	6	4	87	
					8	4, 6		
					10	6, 8		
					12	8, 10		
					16	12		

Push-in fittings QS-F, Quick Star, metal

Product range overview




FESTO

Design	Version	Type	Connection D1					Connection D2		→ Page/ Internet	
			M thread	R thread	G thread	Tubing O.D.	Push-in sleeve Ø	Tubing O.D.	Push-in sleeve Ø		
Straight design	Push-in fitting – Male thread with external hex										
		QS-F	M5	-	-	-	-	-	4, 6	-	88
			M7		-				4, 6		
			-		G1/8				4, 6, 8		
			G1/4		6, 8, 10, 12						
			G3/8		8, 10, 12						
			G1/2		10, 12						
	Push-in fitting – Male thread with internal hex										
		QS-F-...-I	M5	-	-	-	-	-	4, 6	-	89
			M7		-				4, 6		
			-		G1/8				4, 6, 8		
			G1/4		8, 10						
			G3/8		12						
	Push-in fitting – Female thread with external hex										
		QSF-F	-	-	-	-	-	-	G1/8	4, 6, 8	89
			-		G1/4				4, 6, 8		
	Push-in bulkhead fitting – Female thread with external hex										
		QSSF-F	-	-	-	-	-	-	G1/8	4, 6, 8	90
-			G1/4		6, 8						
Push-in fitting with sleeve											
	QS-F-...H	M5	-	-	-	-	-	-	4, 6	91	
		M7		-				4, 6			
		-		G1/8				4, 6, 8			
		G1/4		6, 8, 10, 12							
		G3/8		8, 10, 12							
		G1/2		10, 12							
Push-in connector											
	QS-F	-	-	-	-	-	-	4	-	92	
		-		6							
		-		8							
		-		10							
		-		12							
QS-F Reducing	-	-	-	-	-	-	-	6	-	92	
								8			
								12			
Push-in bulkhead connector											
	QSSF-F	-	-	-	-	-	-	4	-	98	
		-		6							
		-		8							
		-		10							
		-		12							

Push-in fittings QS-F, Quick Star, metal

Product range overview








FESTO

Design	Version	Type	Connection D1					Connection D2		→ Page/ Internet
			M thread	R thread	G thread	Tubing O.D.	Push-in sleeve ∅	Tubing O.D.	Push-in sleeve ∅	
Straight design	Push-in connector with sleeve									
		QS-F-...H	-	-	-	4	-	-	6	92
						4			8	
						6			8	
						4			10	
						6			10	
						8			10	
						6			12	
						8			12	
						10			12	
Push-in sleeve										
	QSH-F	-	-	-	-	4	-	-	94	
						6				
						8				
						10				
						12				
	QSH-F Reducing	-	-	-	-	6	-	4	94	
						8		6		
						12		8		
Blanking plug										
	QSC-F-...H	-	-	-	-	4	-	-	94	
						6				
						8				
						10				
						12				
Locking screw										
	QSC-F-...I	M5	-	-	-	-	-	-	95	
		M7								
		-								
						G1/8				
						G1/4				
						G3/8				
						G1/2				

Push-in fittings QS-F, Quick Star, metal







Product range overview

FESTO

Design	Version	Type	Connection D1				Connection D2			→ Page/ Internet	
			M thread	R thread	G thread	Tubing O.D.	Push-in sleeve Ø	Tubing O.D.	Push-in sleeve Ø		
L-shape	Push-in L-fitting, rotatable 360° – Male thread with external hex										
		QSL-F	M5	-	-	-	-	-	4, 6	-	96
			M7						4, 6		
			-						4, 6, 8		
			G1/8						6, 8, 10, 12		
			G1/4						8, 10, 12		
			G3/8						10, 12		
	G1/2										
	Push-in L-fitting (long), rotatable 360° – Male thread with external hex										
		QSL-F	-	-	G1/8	-	-	4, 6, 8	-	97	
					G1/4			6, 8, 10, 12			
					G3/8			8, 10, 12			
				G1/2			10, 12				
Push-in L-connector											
	QSL-F	-	-	-	4	-	-	-	98		
					6						
					8						
					10						
					12						
T-shape	Push-in T-fitting, rotatable 360° – Male thread with external hex										
		QST-F	M5	-	-	-	-	-	4, 6	-	99
			M7						4, 6		
			-						4, 6, 8		
			G1/8						6, 8, 10, 12		
			G1/4						8, 10, 12		
			G3/8						10, 12		
	G1/2										
	Push-in T-connector										
		QST-F	-	-	-	4	-	4	-	100	
						6		6			
						8		8			
					10		10				
					12		12				
	QST-F Reducing	-	-	-	6	-	4	-	100		
					8		6				
					10		8				
					12		10				
Y-shape	Push-in Y-connector										
		QSY-F	-	-	-	6	-	6	-	100	
						8		8			
						10		10			
		QSY-F Reducing	-	-	-	6	-	4	-	100	
						8		6			
					10		8				

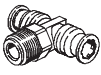

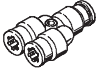
Push-in fittings CRQS, Quick Star, stainless steel

Product range overview

Design	Version	Type	Connection D1					Connection D2		→ Page/ Internet	
			M thread	R thread	G thread	Tubing O.D.	Push-in sleeve Ø	Tubing O.D.	Push-in sleeve Ø		
Straight design	Push-in fitting – Male thread with internal and external hex										
		CRQS	M5x0,8	–	–	–	–	–	4, 6	–	101
			–	R1/8	–	–	–	–	4, 6, 8	–	
			–	R1/4	–	–	–	–	6, 8, 10	–	
			–	R3/8	–	–	–	–	10, 12	–	
			–	R1/2	–	–	–	–	12, 16	–	
	Push-in connector										
		CRQS	–	–	–	4	–	4	–	103	
			–	–	–	6	–	6	–		
			–	–	–	8	–	8	–		
–			–	–	10	–	10	–			
–			–	–	12	–	12	–			
	CRQS reducing	–	–	–	6	–	4	–	103		
		–	–	–	8	–	6	–			
		–	–	–	10	–	8	–			
		–	–	–	12	–	10	–			
		–	–	–	16	–	12	–			
Push-in bulkhead connector											
	CRQSS	–	–	–	4	–	4	–	103		
		–	–	–	6	–	6	–			
		–	–	–	8	–	8	–			
		–	–	–	10	–	10	–			
		–	–	–	12	–	12	–			
L-shape	Push-in L-fitting, rotatable 360° – Male thread with external hex										
		CRQSL	M5x0,8	–	–	–	–	–	4, 6	–	104
			–	R1/8	–	–	–	–	4, 6, 8	–	
			–	R1/4	–	–	–	–	6, 8, 10	–	
			–	R3/8	–	–	–	–	10, 12	–	
			–	R1/2	–	–	–	–	12, 16	–	
	Push-in L-connector										
		CRQSL	–	–	–	4	–	–	–	105	
			–	–	–	6	–	–	–		
			–	–	–	8	–	–	–		
–			–	–	10	–	–	–			
–			–	–	12	–	–	–			
–	–	–	16	–	–	–	–				


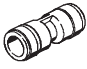




Push-in fittings CRQS, Quick Star, stainless steel

Product range overview

Design	Version	Type	Connection D1				Connection D2		→ Page/ Internet
			M thread	R thread	G thread	Tubing O.D.	Push-in sleeve Ø	Tubing O.D.	
T-shape	Push-in T-fitting, rotatable 360° – Male thread with external hex								
		CRQST	M5x0,8 –	– R1/8 R1/4 R3/8 R1/2	–	–	–	4, 6 6, 8 8, 10 10, 12 12, 16	–
T-shape	Push-in T-connector								
		CRQST	–	–	–	4 6 8 10 12 16	–	–	–
Y-shape	Push-in Y-connector								
		CRQSY	–	–	–	4 6 8 10 12 16	–	–	–

Push-in fittings QS-V0, Quick Star, flame-retardant

Product range overview

Design	Version	Type	Connection D1					Connection D2		→ Page/ Internet
			M thread	R thread	G thread	Tubing O.D.	Push-in sleeve Ø	Tubing O.D.	Push-in sleeve Ø	
Flame-retardant to UL94V0 – For plastic tubing PAN/PUN-V0										
Straight design	Push-in fitting – Male thread with external hex									
		QS-V0	–	R 1/8	G 1/8	–	–	4 ¹⁾ , 6, 8	–	108
				R 1/4	G 1/4			6, 8, 10, 12		
				R 3/8	G 3/8			8, 10, 12		
				R 1/2	G 1/2			10, 12		
	Push-in connector									
		QS-V0	–	–	–	–	4	–	–	109
							6			
							8			
							10			
12										
L-shape	Push-in L-fitting – Male thread with external hex									
		QS-L-V0	–	R 1/8	G 1/8	–	–	4 ¹⁾ , 6, 8	–	110
				R 1/4	G 1/4			6, 8, 10, 12		
				R 3/8	G 3/8			8, 10, 12		
				R 1/2	G 1/2			10, 12		
	Push-in L-connector									
		QS-L-V0	–	–	–	–	4	–	–	111
							6			
							8			
							10			
12										
T-shape	Push-in T-fitting – Male thread with external hex									
		QS-T-V0	–	R 1/8	G 1/8	–	–	4 ¹⁾ , 6, 8	–	112
				R 1/4	G 1/4			6, 8, 10, 12		
				R 3/8	G 3/8			8, 10, 12		
				R 1/2	G 1/2			10, 12		
	Push-in T-connector									
		QS-T-V0	–	–	–	–	4	–	–	113
							6			
							8			
							10			
12										

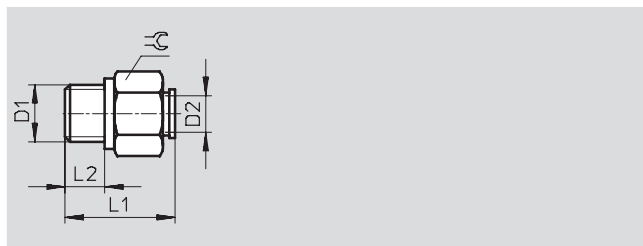
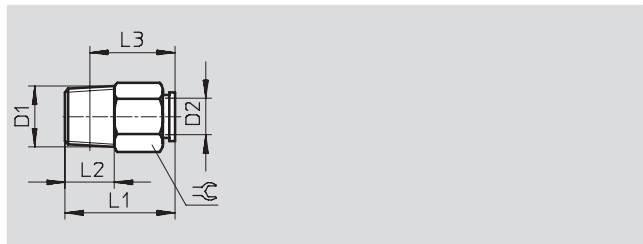
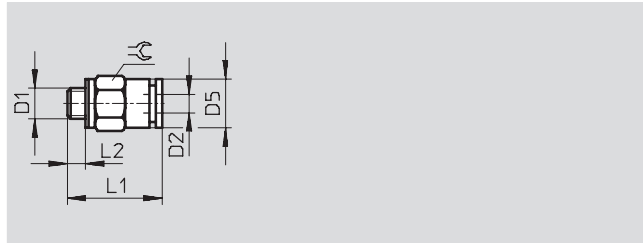
1) Only in conjunction with R thread

Push-in fittings QSM, Quick Star, mini

Technical data

Push-in fitting QSM

Male thread
with external hex



Dimensions and ordering data											
Connection	Nominal size	Tubing O.D.	D5	L1	L2	L3	⌀	Weight/ piece	Part No.	Type	PU*
D1	[mm]	D2	∅					[g]			
Metric thread with sealing ring											
M3	0.9	3	7	14	3.3	-	5.5	1.1	153301	QSM-M3-3	10
									130775	QSM-M3-3-100	100
	1.1	4	9.8	16.5	3.3	-	8	2.5	153303	QSM-M3-4	10
									130776	QSM-M3-4-100	100
M5	2	3	9.8	16.7	3.5	-	8	3.5	153302	QSM-M5-3	10
									130777	QSM-M5-3-100	100
	2.2	4	9.8	16.7	3.5	-	8	3.3	153304	QSM-M5-4	10
									130778	QSM-M5-4-100	100
	2.1	6	11.8	17.8	3.5	-	10	4.5	153306	QSM-M5-6	10
									130779	QSM-M5-6-100	100
M6	2.8	6	11.8	18	3.9	-	10	4.8	132600	QSM-M6-6	New 1
R thread											
R $\frac{1}{8}$	2.9	4	-	16	8	12	10	6	153305	QSM-R $\frac{1}{8}$ -4	10
									130755	QSM-R $\frac{1}{8}$ -4-100	100
	4.5	6	-	18	8	14	10	6	153307	QSM-R $\frac{1}{8}$ -6	10
									130756	QSM-R $\frac{1}{8}$ -6-100	100
G thread with sealing ring											
G $\frac{1}{8}$	2.9	4	-	16.4	5.1	-	13	9.4	186264	QSM-G $\frac{1}{8}$ -4	10
	2.8	6	-	18.4	5.1	-	13	11	186265	QSM-G $\frac{1}{8}$ -6	10

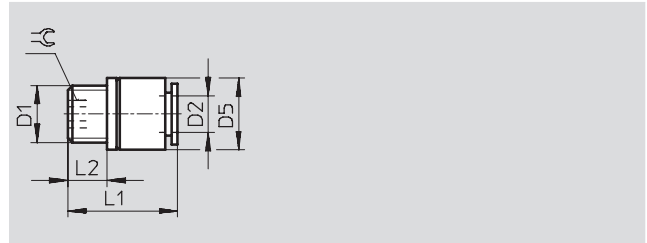
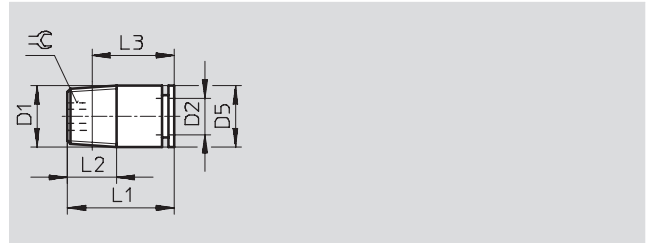
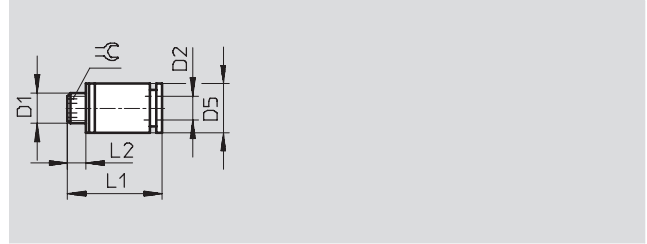
* Packaging unit quantity

Push-in fittings QSM, Quick Star, mini

Technical data

Push-in fitting QSM-...-I

Male thread
with internal hex



Dimensions and ordering data											
Connection	Nominal size	Tubing O.D.	D5	L1	L2	L3	⌀	Weight/ piece	Part No.	Type	PU*
D1	[mm]	D2	∅					[g]			
Metric thread with sealing ring											
M3	1.6	3	8	16.5	3.3	-	1.5	3	153312	QSM-M3-3-I	10
	1.5	4	8	16.5	3.3	-	1.5	3	153314	QSM-M3-4-I	10
M5	1.9	3	8	16.7	3.5	-	2	3	153313	QSM-M5-3-I	10
	2.5	4	8	16.7	3.5	-	2.5	4	153315	QSM-M5-4-I	10
M7	2.6	6	9.8	18.3	3.5	-	2.5	5	153317	QSM-M5-6-I	10
	2.3	4	9.8	18.9	5.5	-	3	4	153319	QSM-M7-4-I	10
M7	2.9	6	9.8	20.9	5.5	-	4	5	153321	QSM-M7-6-I	10
R thread											
R1/8	3.1	4	10	16	8	11.5	3	6	153316	QSM-1/8-4-I	10
	4.1	6	10	18	8	13.5	4	6	153318	QSM-1/8-6-I	10
G thread with sealing ring											
G1/8	3.1	4	13	16.4	5.1	-	3	8.9	186266	QSM-G1/8-4-I	10
	4.1	6	13	18.4	5.1	-	4	9.5	186267	QSM-G1/8-6-I	10

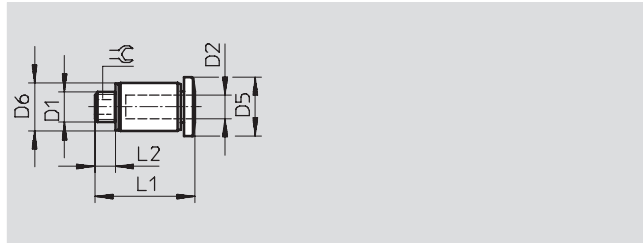
* Packaging unit quantity

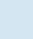
Push-in fittings QSM, Quick Star, mini

Technical data

Push-in fitting QSM-...-I-R

Male thread
with internal hex



Dimensions and ordering data											
Connection	Nominal size	Tubing O.D.	D5 ∅	D6 ∅	L1	L2		Weight/ piece [g]	Part No.	Type	PU*
D1	[mm]	D2									
Metric thread with sealing ring											
M3	1.4	3	5.5	6.0	13.25	2.5	1.5	1.0	132914	QSM-M3-3-I-R-100	100
	1.5	4	8.0	7.8	15.7	2.5	1.5	2.2	132915	QSM-M3-4-I-R-100	100
M5	1.9	3	8.0	7.8	16.2	3.0	2.0	3.2	132916	QSM-M5-3-I-R-100	100
	2.5	4	8.0	7.8	16.2	3.0	2.5	2.9	132917	QSM-M5-4-I-R-100	100
	2.6	6	9.8	9.8	17.8	3.0	2.5	4.1	132918	QSM-M5-6-I-R-100	100
M7	2.9	6	9.8	9.8	20.9	5.5	4.0	5.0	132919	QSM-M7-6-I-R-100	100

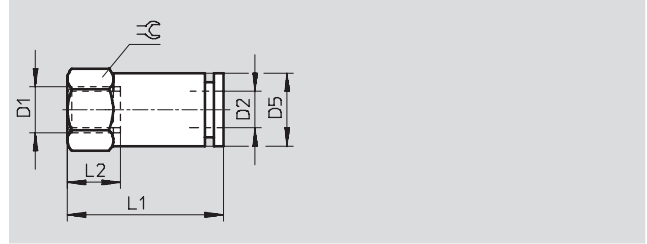
* Packaging unit quantity

Push-in fittings QSM, Quick Star, mini

Technical data

Push-in fitting QSMF

Female thread
with external hex

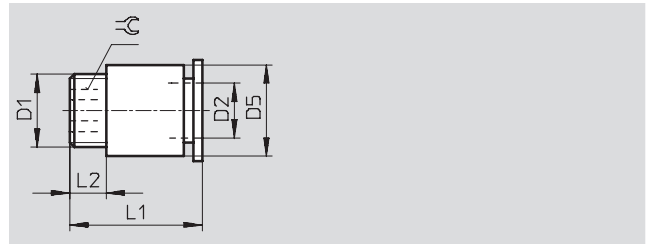


Dimensions and ordering data										
Connection	Nominal size	Tubing O.D.	D5	L1	L2	⌀	Weight/piece	Part No.	Type	PU*
D1	[mm]	D2	∅				[g]			
Metric thread with sealing ring										
M3	1.3	3	5.5	13.9	4.4	5.5	1.6	153308	QSMF-M3-3	10
	2.1	4	8	16	4.5	8	4.1	153310	QSMF-M3-4	10
M5	1.9	3	8	15.5	4.5	8	4.3	153309	QSMF-M5-3	10
	1.8	4	8	18.2	4.5	8	4.5	153311	QSMF-M5-4	10

* Packaging unit quantity

Push-in fitting QSMP

Male thread
with internal hex



Dimensions and ordering data										
Connection	Nominal size	Tubing O.D.	D5	L1	L2	⌀	Weight/piece	Part No.	Type	PU*
D1	[mm]	D2	∅				[g]			
Metric thread with sealing ring										
M6x0.75	2.5	4	8	14.5	3.5	2.5	3	153320	QSMP-M6-4	10
M8x0.75	4	6	10	15	4	4	4	153322	QSMP-M8-6	10

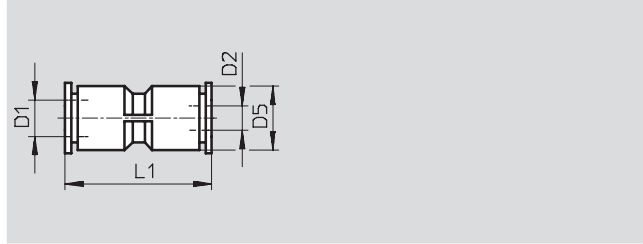
* Packaging unit quantity

Push-in fittings QSM, Quick Star, mini

Technical data

FESTO

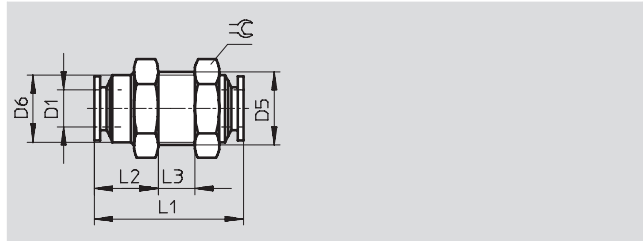
Push-in connector QSM



Dimensions and ordering data								
Tubing O.D.	Nominal size	Tubing O.D.	D5	L1	Weight/piece	Part No.	Type	PU*
D1	[mm]	D2	∅		[g]			
3	1.9	3	6	20	1.5	153323	QSM-3	10
						130757	QSM-3-100	100
4	2.6	4	8	23.5	2	153324	QSM-4	10
						130758	QSM-4-100	100
6	3.7	6	10.5	25	4	153325	QSM-6	10
						130759	QSM-6-100	100
Reducing								
4	1.7	3	8	23.5	3	153326	QSM-4-3	10
						130760	QSM-4-3-100	100
6	2.7	4	10.5	25	4	153327	QSM-6-4	10
						130761	QSM-6-4-100	100

* Packaging unit quantity

Push-in bulkhead connector QSMS



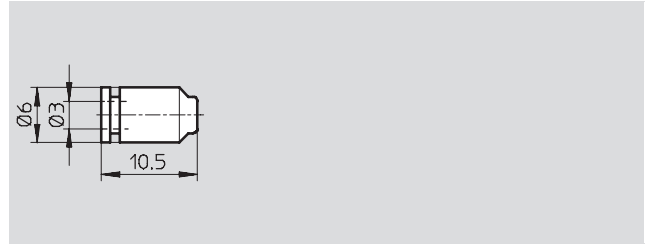
Dimensions and ordering data											
Tubing O.D.	Nominal size	D5	D6	L1	L2	L3	⊖	Weight/piece	Part No.	Type	PU*
D1	[mm]		∅					[g]			
3	1.7	M8x0.75	7	19.5	7	7.5	10	3	153375	QSMS-3	10
4	2.2	M10x1	9	24	9.5	7.5	12	6	153376	QSMS-4	10
									130780	QSMS-4-100	100
6	3.7	M12x1	11	25	11	6	14	9	153377	QSMS-6	10
									130781	QSMS-6-100	100

* Packaging unit quantity

Push-in fittings QSM, Quick Star, mini

Technical data

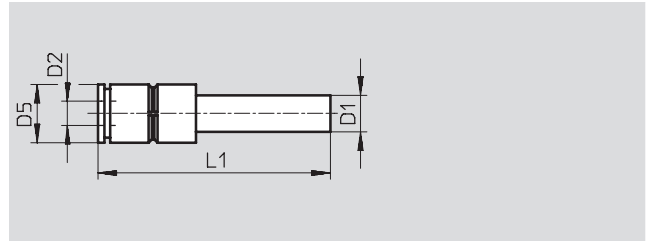
Push-in cap QSMC



Ordering data				
Tubing O.D.	Weight/piece [g]	Part No.	Type	PU*
3	0.5	153381	QSMC-3	10

* Packaging unit quantity

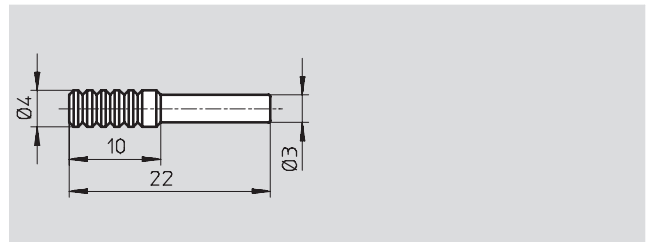
Push-in connector QSM-...H with push-in sleeve



Dimensions and ordering data								
Push-in sleeve Ø D1	Nominal size [mm]	Tubing O.D. D2	D5 Ø	L1	Weight/piece [g]	Part No.	Type	PU*
4	1.7	3	6	27	0.8	153328	QSM-4H-3	10
						130762	QSM-4H-3-100	100
6	2.1	4	9	32.6	1.6	153329	QSM-6H-4	10
						130763	QSM-6H-4-100	100

* Packaging unit quantity

Blanking plug QSMC-...H



Ordering data				
Push-in sleeve Ø	Weight/piece [g]	Part No.	Type	PU*
3	0.5	153382	QSMC-3H	10

* Packaging unit quantity

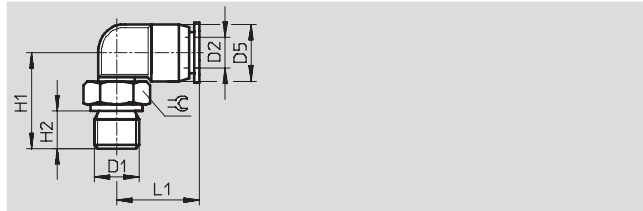
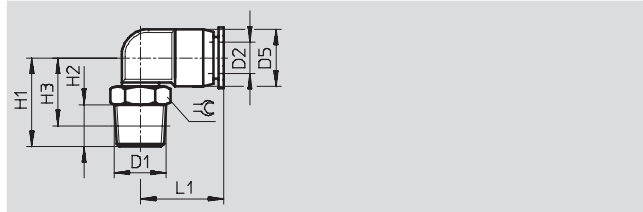
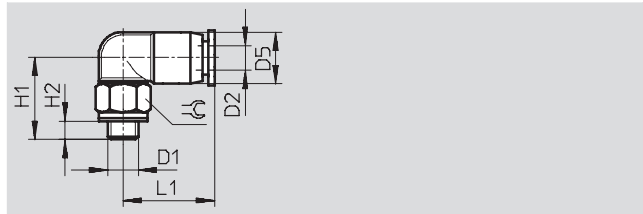
Push-in fittings QSM, Quick Star, mini

Technical data

FESTO

Push-in L-fitting QSML

360° rotatable
Male thread
with external hex



Dimensions and ordering data													
Connection	Nominal size	Tubing O.D.	D5	H1	H2	H3	L1	⌀	Weight/ piece	Part No.	Type	PU*	
D1	[mm]	D2	∅						[g]				
Metric thread with sealing ring													
M3	0.8	3	6	12.8	3.3	-	11	5.5	1.5	153330	QSML-M3-3	10	
										130768	QSML-M3-3-100	100	
	1.3	4	8	14.8	3.3	-	15.7	8	3.1	153332	QSML-M3-4	10	
										130769	QSML-M3-4-100	100	
M5	1.5	3	6	14	3.5	-	11	8	2.8	153331	QSML-M5-3	10	
										130770	QSML-M5-3-100	100	
	1.7	4	8	14	3.5	-	15.7	8	3.5	153333	QSML-M5-4	10	
										130771	QSML-M5-4-100	100	
	2.1	6	10.5	15	3.5	-	16.3	8	4.1	153335	QSML-M5-6	10	
										130772	QSML-M5-6-100	100	
M7	2	4	8	17	5.5	-	15.7	10	5.6	186352	QSML-M7-4	10	
										130773	QSML-M7-4-100	100	
	2.4	6	10.5	19	5.5	-	16.3	10	6.2	186353	QSML-M7-6	10	
										130774	QSML-M7-6-100	100	
R thread													
R1/8	2.5	4	8.5	16	8	12	16	10	6	153334	QSML-1/8-4	10	
										130764	QSML-1/8-4-100	100	
	3.3	6	11	17	8	13	16.5	10	7	153336	QSML-1/8-6	10	
										130765	QSML-1/8-6-100	100	
G thread with sealing ring													
G1/8	2.5	4	8	16.5	5.1	-	15.7	13	9	186268	QSML-G1/8-4	10	
										132897	QSML-G1/8-4-100	☉ New	100
	3.3	6	10.5	17.5	5.1	-	16.3	13	9.7	186269	QSML-G1/8-6	10	

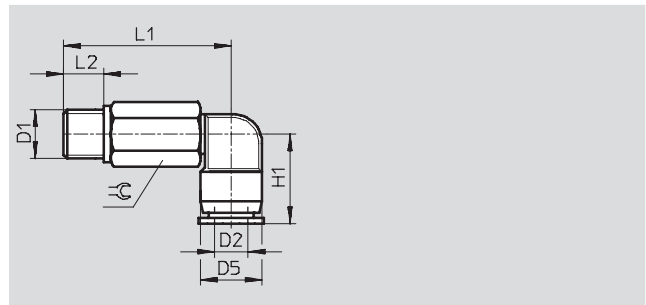
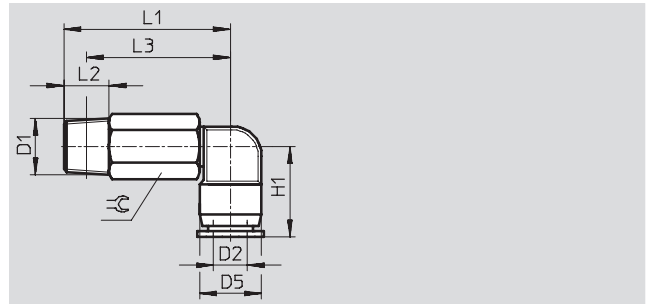
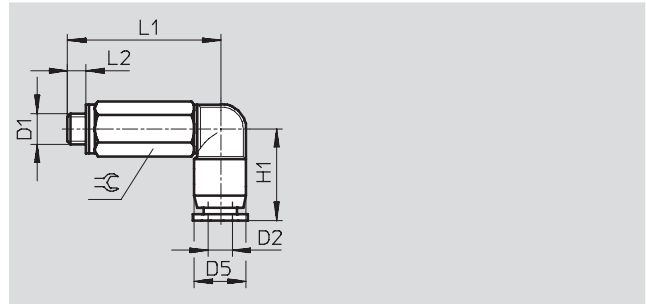
* Packaging unit quantity

Push-in fittings QSM, Quick Star, mini

Technical data

Push-in long L-fitting QSMLL

360° rotatable
Male thread
with external hex



Dimensions and ordering data												
Connection	Nominal size	Tubing O.D.	D5	H1	L1	L2	L3	≅	Weight/ piece	Part No.	Type	PU*
D1	[mm]	D2	∅						[g]			
Metric thread with sealing ring												
M3	0.9	3	6	11	19.5	3.3	-	5.5	2.8	153337	QSMLL-M3-3	10
	1.1	4	8	15.7	23.5	3.3	-	8	6.8	153338	QSMLL-M3-4	10
M5	1.6	3	6	11	25.5	3.5	-	8	7.6	130838	QSMLL-M5-3	10
	2	4	8	15.7	25.5	3.5	-	8	8.3	153339	QSMLL-M5-4	10
	2	6	10.5	16.3	26.5	3.5	-	8	9	153341	QSMLL-M5-6	10
M7	2	4	8	15.7	29.5	5.5	-	10	14	186354	QSMLL-M7-4	10
	2.4	6	10.5	16.3	31.5	5.5	-	10	14	186355	QSMLL-M7-6	10
R thread												
R1/8	2.3	4	8.5	15.5	28.5	8	22	10	13	153340	QSMLL-1/8-4	10
	3.1	6	11	16.5	29.5	8	25.5	10	14	153342	QSMLL-1/8-6	10
G thread with sealing ring												
G1/8	2.3	4	8	15.7	29	5.1	-	13	23	186270	QSMLL-G1/8-4	10
	3.1	6	10.5	16.3	30	5.1	-	13	23	186271	QSMLL-G1/8-6	10

* Packaging unit quantity

Push-in fittings QSM, Quick Star, mini

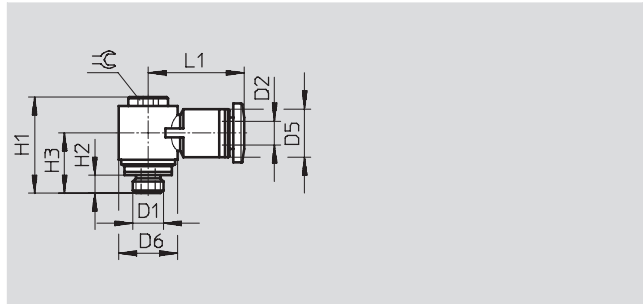
Technical data

Push-in L-fitting QSMLV-...-I

360° rotatable
Male thread
with internal hex



M thread



Dimensions and ordering data													
Connection	Nominal size	Tubing O.D.	D5	D6	H1	H2	H3	L1	≅	Weight/ piece	Part No.	Type	PU*
D1	[mm]	D2	∅	∅						[g]			
Metric thread with sealing ring													
M5	1.7	3	8	9.8	16.5	3.5	10.5	16	3	5.1	130830	QSMLV-M5-3-I	10
	1.8	4	8	9.8	16.5	3.5	10.5	16	3	5.0	130831	QSMLV-M5-4-I	10
M7	1.9	4	8	9.8	18.5	5.5	12.5	16	3	5.6	130832	QSMLV-M7-4-I	10
	1.8	6	10.5	9.8	18.5	5.5	12.5	17.8	3	6.2	130833	QSMLV-M7-6-I	10

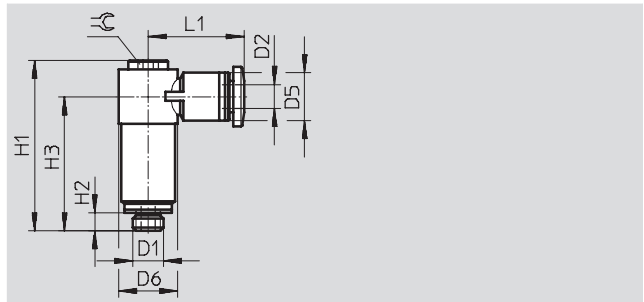
* Packaging unit quantity

Push-in long L-fitting QSMLLV-...-I

360° rotatable
Male thread
with internal hex



M thread



Dimensions and ordering data													
Connection	Nominal size	Tubing O.D.	D5	D6	H1	H2	H3	L1	≅	Weight/ piece	Part No.	Type	PU*
D1	[mm]	D2	∅	∅						[g]			
Metric thread with sealing ring													
M5	1.6	3	8	9.8	28.3	3.5	22.3	16	3	10.9	130834	QSMLLV-M5-3-I	10
	1.8	4	8	9.8	28.3	3.5	22.3	16	3	10.9	130835	QSMLLV-M5-4-I	10
M7	1.9	4	8	9.8	30.3	5.5	24.3	16	3	11.8	130836	QSMLLV-M7-4-I	10
	1.9	6	10.5	9.8	30.3	5.5	24.3	17.8	3	12.4	130837	QSMLLV-M7-6-I	10

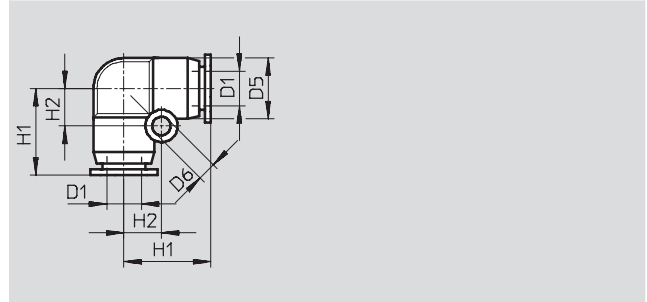
* Packaging unit quantity

Push-in fittings QSM, Quick Star, mini

Technical data

FESTO

Push-in L-connector QSML

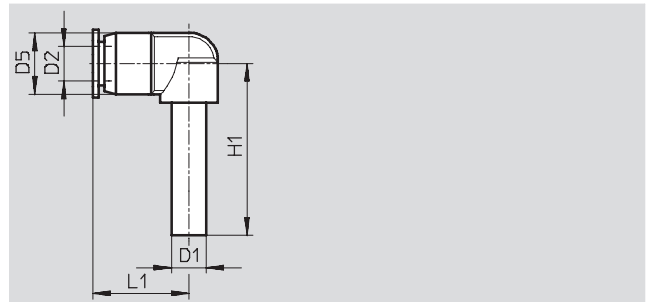


Dimensions and ordering data									
Tubing O.D.	Nominal size	D5	D6	H1	H2	Weight/piece	Part No.	Type	PU*
D1	[mm]	∅	∅			[g]			
3	1.7	6	3.2	11	4.5	1.5	153343	QSML-3	10
4	2.5	8	3.2	13.5	5.5	2	153344	QSML-4	10
							130766	QSML-4-100	100
6	3.4	10.5	3.2	15.5	6.5	4	153345	QSML-6	10
							130767	QSML-6-100	100

* Packaging unit quantity

Push-in L-connector QSML-...H

with push-in sleeve



Dimensions and ordering data									
Push-in sleeve ∅	Nominal size	Tubing O.D.	D5	H1	L1	Weight/piece	Part No.	Type	PU*
D1	[mm]	D2	∅			[g]			
3	1.2	3	9	24	14.7	1.7	153346	QSML-3H	10
4	1.9	4	9	25	14.7	1.7	153347	QSML-4H	10
6	3.2	6	10.5	26.5	17.3	2.4	153348	QSML-6H	10
Reducing									
4	1.7	3	9	25	14.7	1.7	153349	QSML-4H-3	10
6	1.9	4	9	26	14.7	1.9	153350	QSML-6H-4	10

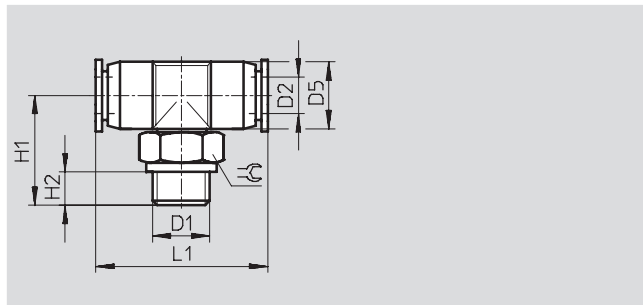
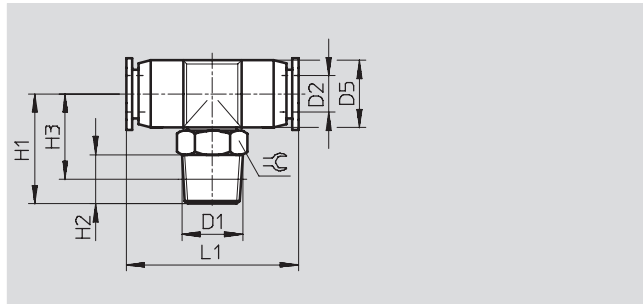
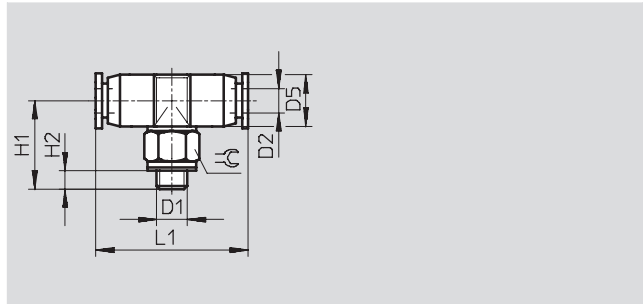
* Packaging unit quantity

Push-in fittings QSM, Quick Star, mini

Technical data

Push-in T-fitting QSMT

360° rotatable
Male thread
with external hex



Dimensions and ordering data												
Connection	Nominal size	Tubing O.D.	D5	H1	H2	H3	L1	⊕	Weight/ piece	Part No.	Type	PU*
D1	[mm]	D2	∅						[g]			
Metric thread with sealing ring												
M3	0.9	3	6	12.8	3.3	–	22	5.5	2	153351	QSMT-M3-3	10
	1.3	4	8	15.8	3.3	–	26.2	8	4	153353	QSMT-M3-4	10
M5	1.6	3	6	14	3.5	–	22	8	3.3	153352	QSMT-M5-3	10
	2.2	4	8	15	3.5	–	26.2	8	4.4	153354	QSMT-M5-4	10
										130784	QSMT-M5-4-100	100
	2.1	6	10.5	16	3.5	–	28.4	8	5.6	153356	QSMT-M5-6	10
										130785	QSMT-M5-6-100	100
R thread												
R $\frac{1}{8}$	2.4	4	8.5	17	8	13	27	10	7	153355	QSMT- $\frac{1}{8}$ -4	10
	3.3	6	11	18	8	14	30	10	8	153357	QSMT- $\frac{1}{8}$ -6	10
G thread with sealing ring												
G $\frac{1}{8}$	2.4	4	8	17.5	5.1	–	26.2	13	10	186272	QSMT-G $\frac{1}{8}$ -4	10
	3.3	6	10.5	18.5	5.1	–	28.4	13	12	186273	QSMT-G $\frac{1}{8}$ -6	10

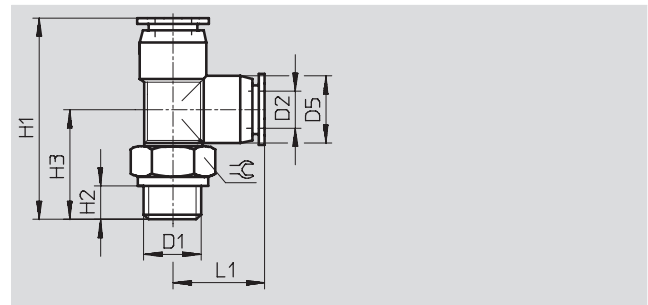
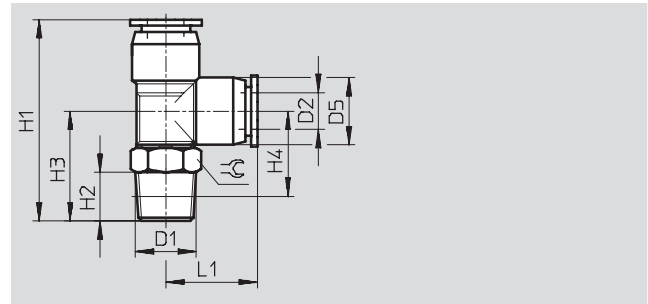
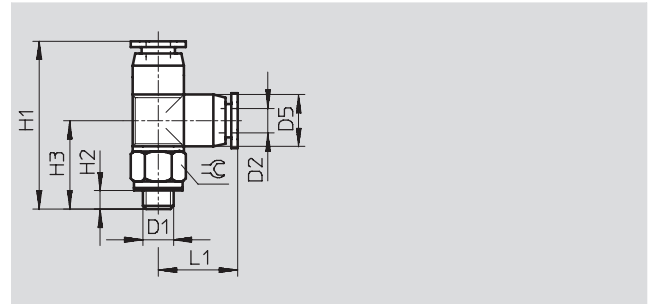
* Packaging unit quantity

Push-in fittings QSM, Quick Star, mini

Technical data

Push-in T-fitting QSMTL

360° rotatable
Male thread
with external hex



Dimensions and ordering data													
Connection	Nominal size	Tubing O.D.	D5	H1	H2	H3	H4	L1	≅	Weight/ piece	Part No.	Type	PU*
D1	[mm]	D2	∅							[g]			
Metric thread with sealing ring													
M3	0.9	3	6	23.8	3.3	12.8	–	11	5.5	2	153358	QSMTL-M3-3	10
	1.1	4	8	29.5	3.3	15.8	–	13.7	8	4	153360	QSMTL-M3-4	10
M5	1.7	3	6	25	3.5	14	–	11	8	3.3	153359	QSMTL-M5-3	10
	1.6	4	8	28.7	3.5	15	–	13.7	8	4.4	153361	QSMTL-M5-4	10
	1.7	6	10.5	31.3	3.5	16	–	15.3	8	5.7	153363	QSMTL-M5-6	10
R thread													
R1/8	2.4	4	8.5	30	8	17	13	13	10	7	153362	QSMTL-1/8-4	10
	3.3	6	10.5	33	8	18	14	15	10	8.5	153364	QSMTL-1/8-6	10
G thread with sealing ring													
G1/8	2.4	4	8	31.2	5.1	17.5	–	13.7	13	10	186274	QSMTL-G1/8-4	10
	3.3	6	10.5	33.8	5.1	18.5	–	15.3	13	12	186275	QSMTL-G1/8-6	10

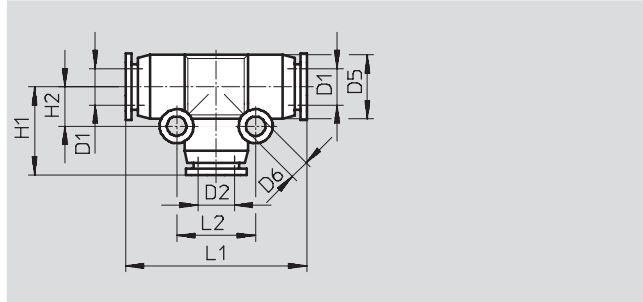
* Packaging unit quantity

Push-in fittings QSM, Quick Star, mini

Technical data

FESTO

Push-in T-connector QSMT



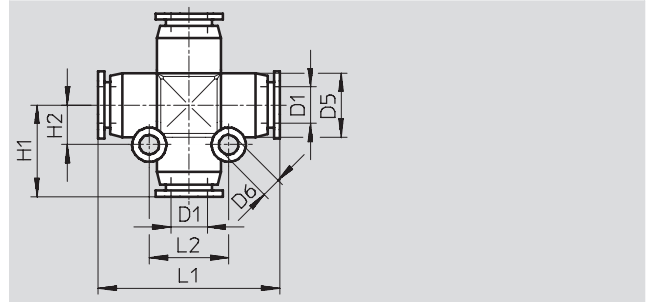
Dimensions and ordering data												
Tubing O.D.	Nominal size	Tubing O.D.	D5	D6	H1	H2	L1	L2	Weight/ piece	Part No.	Type	PU*
D1	[mm]	D2	∅	∅					[g]			
3	1.6	3	6	3.2	11	4.5	22	9	2	153365	QSMT-3	10
4	2.4	4	8	3.2	13.5	5.5	27	11	2	153366	QSMT-4	10
										130782	QSMT-4-100	100
6	3.4	6	10.5	3.2	15.5	6.5	31	13	4	153367	QSMT-6	10
										130783	QSMT-6-100	100
Reducing												
4	1.7	3	8	3.2	13	5.5	27	11	3.5	153368	QSMT-4-3	10
6	2.6	4	10.5	3.2	15	6.5	30	13	4	153369	QSMT-6-4	10

* Packaging unit quantity

Push-in fittings QSM, Quick Star, mini

Technical data

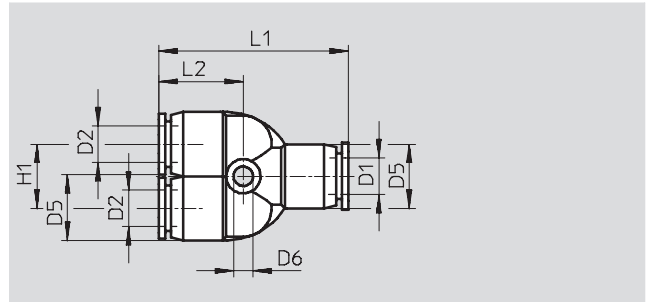
Push-in X-connector QSMX



Dimensions and ordering data											
Tubing O.D.	Nominal size	D5	D6	H1	H2	L1	L2	Weight/ piece	Part No.	Type	PU*
D1	[mm]	∅	∅					[g]			
3	1.7	8	3.2	13.5	5.5	27	11	4	153378	QSMX-3	10
4	2.5	8	3.2	13.5	5.5	27	11	4	153379	QSMX-4	10
6	3.3	10.5	3.2	15.5	6.5	31	13	5	153380	QSMX-6	10

* Packaging unit quantity

Push-in Y-connector QSMY



Dimensions and ordering data											
Tubing O.D.	Nominal size	Tubing O.D.	D5	D6	H1	L1	L2	Weight/ piece	Part No.	Type	PU*
D1	[mm]	D2	∅	∅				[g]			
3	1.6	3	8	3.2	8	28.5	13	3	153370	QSMY-3	10
4	1.7	4	8	3.2	8	29	13	3	153371	QSMY-4	10
									130786	QSMY-4-100	100
6	2.9	6	10.5	3.2	10.5	31.5	14.5	5.5	153372	QSMY-6	10
									130787	QSMY-6-100	100
Reducing											
4	1.6	3	8	3.2	8	28.5	13	3	153373	QSMY-4-3	10
6	2.8	4	10.5	3.2	10.5	31.5	14	5	153374	QSMY-6-4	10

* Packaging unit quantity

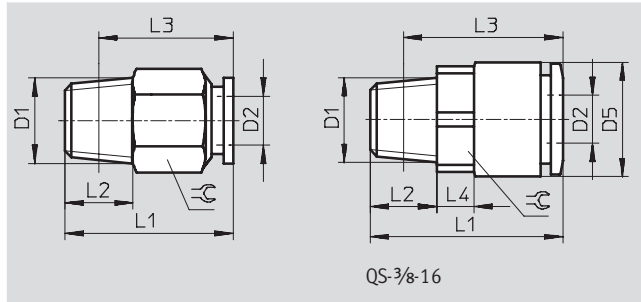
Push-in fittings QS, Quick Star

Technical data

FESTO

Push-in fitting QS

Male thread
with external hex



Dimensions and ordering data												
Connection	Nominal size	Tubing O.D.	D5	L1	L2	L3	L4	≈G	Weight/ piece [g]	Part No.	Type	PU*
D1	[mm]	D2										
R thread												
R $\frac{1}{8}$	2.6	4	-	21	8	17	-	10	8.5	153001	QS- $\frac{1}{8}$ -4	10
										130674	QS- $\frac{1}{8}$ -4-100	100
	4	6	-	22.5	8	18.5	-	12	9	153002	QS- $\frac{1}{8}$ -6	10
										130675	QS- $\frac{1}{8}$ -6-100	100
	5	8	-	28	8	24	-	14	15	153004	QS- $\frac{1}{8}$ -8	10
										130676	QS- $\frac{1}{8}$ -8-50	50
	5.4	10	-	30.3	8	26.3	-	17	22.5	190643	QS- $\frac{1}{8}$ -10	10
R $\frac{1}{4}$	2.6	4	-	21	11	15	-	14	16	190644	QS- $\frac{1}{4}$ -4	10
	4	6	-	24.5	11	18.5	-	14	17	153003	QS- $\frac{1}{4}$ -6	10
										130677	QS- $\frac{1}{4}$ -6-100	100
	5	8	-	26.5	11	20.5	-	14	15	153005	QS- $\frac{1}{4}$ -8	10
										130678	QS- $\frac{1}{4}$ -8-50	50
	6.7	10	-	30	11	24	-	17	20	153007	QS- $\frac{1}{4}$ -10	10
										130679	QS- $\frac{1}{4}$ -10-50	50
	8.7	12	-	36	11	30	-	21	43.7	164980	QS- $\frac{1}{4}$ -12	10
										130680	QS- $\frac{1}{4}$ -12-20	20
R $\frac{3}{8}$	4	6	-	23.5	12	17.1	-	17	27	190645	QS- $\frac{3}{8}$ -6	10
	5	8	-	24	12	17.5	-	17	23	153006	QS- $\frac{3}{8}$ -8	10
										130681	QS- $\frac{3}{8}$ -8-50	50
	6.7	10	-	29.5	12	23	-	17	26	153008	QS- $\frac{3}{8}$ -10	10
										130682	QS- $\frac{3}{8}$ -10-50	50
	8.7	12	-	32	12	25.5	-	21	35.5	153009	QS- $\frac{3}{8}$ -12	10
										130683	QS- $\frac{3}{8}$ -12-20	20
	10.3	16	23.8	41.9	12	35.4	10	22	59.5	164957	QS- $\frac{3}{8}$ -16	1
R $\frac{1}{2}$	6.7	10	-	30.3	15	22.1	-	21	49	190646	QS- $\frac{1}{2}$ -10	1
	8.7	12	-	34	15	26	-	21	49.5	153010	QS- $\frac{1}{2}$ -12	1
										130684	QS- $\frac{1}{2}$ -12-20	20
	12	16	-	41.5	15	33.5	-	24	67	153011	QS- $\frac{1}{2}$ -16	1
										130685	QS- $\frac{1}{2}$ -16-20	20

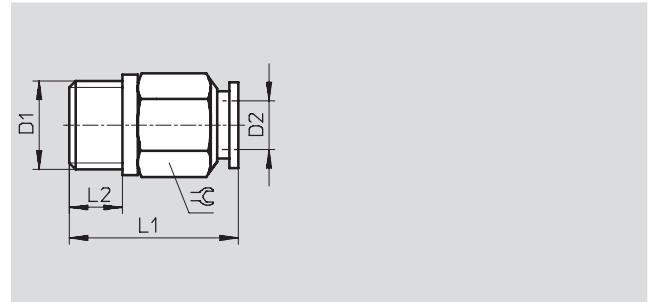
* Packaging unit quantity

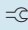







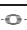





Push-in fittings QS, Quick Star

Technical data

Push-in fitting QS

Male thread
with external hex



Dimensions and ordering data									
Connection	Nominal size	Tubing O.D.	L1	L2		Weight/piece	Part No.	Type	PU*
D1	[mm]	D2				[g]			
G thread with sealing ring									
G $\frac{1}{8}$	2.6	4	20.4	5.1	13	10	186095	QS-G $\frac{1}{8}$ -4	10
							132036	QS-G $\frac{1}{8}$ -4-100	 New 100
	4	6	21.5	5.1	13	9.1	186096	QS-G $\frac{1}{8}$ -6	10
							132037	QS-G $\frac{1}{8}$ -6-100	 New 100
	5	8	26.7	5.1	14	14	186098	QS-G $\frac{1}{8}$ -8	10
							132038	QS-G $\frac{1}{8}$ -8-50	 New 50
G $\frac{1}{4}$	4	6	22	5.6	17	18	186097	QS-G $\frac{1}{4}$ -6	10
							132039	QS-G $\frac{1}{4}$ -6-100	 New 100
	5	8	22.7	5.6	17	16	186099	QS-G $\frac{1}{4}$ -8	10
							132040	QS-G $\frac{1}{4}$ -8-50	 New 50
	6.7	10	29.7	5.6	17	22	186101	QS-G $\frac{1}{4}$ -10	10
							132041	QS-G $\frac{1}{4}$ -10-50	 New 50
G $\frac{3}{8}$	6.3	12	34.9	5.6	21	51	186350	QS-G $\frac{1}{4}$ -12	10
							132042	QS-G $\frac{1}{4}$ -12-20	 New 20
	5	8	22.4	6.6	19	24	186100	QS-G $\frac{3}{8}$ -8	10
							132043	QS-G $\frac{3}{8}$ -8-50	 New 50
	6.7	10	26.2	6.6	19	25	186102	QS-G $\frac{3}{8}$ -10	10
							132044	QS-G $\frac{3}{8}$ -10-50	 New 50
G $\frac{1}{2}$	8.7	12	32.3	6.6	21	38	186103	QS-G $\frac{3}{8}$ -12	10
							132045	QS-G $\frac{3}{8}$ -12-20	 New 20
	10.3	16	38.3	6.6	22	49	186347	QS-G $\frac{3}{8}$ -16	1
							132046	QS-G $\frac{1}{2}$ -12-20	 New 20
G $\frac{1}{2}$	8.7	12	28.8	7.6	24	46	186104	QS-G $\frac{1}{2}$ -12	1
							132047	QS-G $\frac{1}{2}$ -16-20	 New 20
	12	16	36.3	7.6	24	53	186105	QS-G $\frac{1}{2}$ -16	1
							132047	QS-G $\frac{1}{2}$ -16-20	 New 20

* Packaging unit quantity

Push-in fittings QS, Quick Star

FESTO

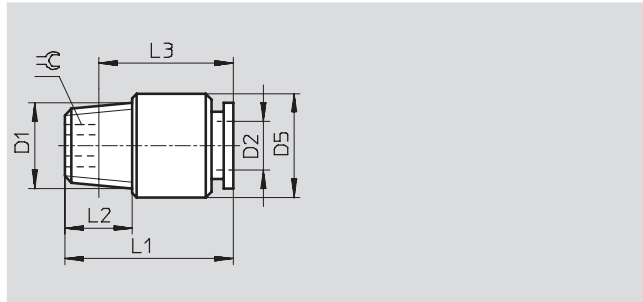
Technical data

Push-in fitting QS-...-I

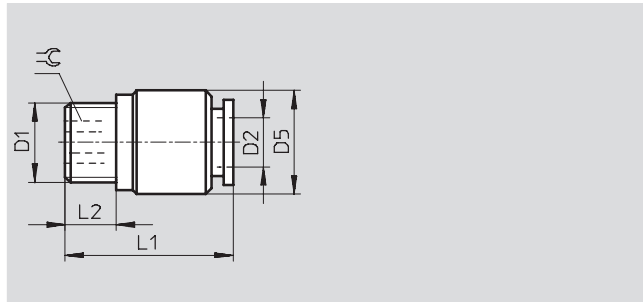
Male thread
with internal hex



R thread



G thread



Dimensions and ordering data											
Connection	Nominal size	Tubing O.D.	D5	L1	L2	L3	≈C	Weight/ piece	Part No.	Type	PU*
D1	[mm]	D2	∅					[g]			
R thread											
R $\frac{1}{8}$	2.1	4	9.5	21	8	17	2.5	8	153012	QS- $\frac{1}{8}$ -4-I	10
	3.7	6	12	22.5	8	18.5	4	8	153013	QS- $\frac{1}{8}$ -6-I	10
	4.7	8	13.7	28	8	24	5	14	153015	QS- $\frac{1}{8}$ -8-I	10
	5	10	17.7	30.3	8	26.3	5	25	190647	QS- $\frac{1}{8}$ -10-I	10
R $\frac{1}{4}$	3.7	6	14	22.5	11	16.5	4	14	153014	QS- $\frac{1}{4}$ -6-I	10
	5	8	14	26.5	11	20.5	6	14.5	153016	QS- $\frac{1}{4}$ -8-I	10
	5	10	17.7	30	11	24	7	22	153018	QS- $\frac{1}{4}$ -10-I	10
	6.8	12	20.8	35.9	11	29.9	6	40	190649	QS- $\frac{1}{4}$ -12-I	10
R $\frac{3}{8}$	5	8	17	24	12	17.5	6	22	153017	QS- $\frac{3}{8}$ -8-I	10
	5	10	18	29.5	12	23	6	27	153019	QS- $\frac{3}{8}$ -10-I	10
	7.1	12	21	32	12	25.5	8	33.5	153020	QS- $\frac{3}{8}$ -12-I	10
R $\frac{1}{2}$	5	10	20.8	30.3	15	22.1	6	48	190648	QS- $\frac{1}{2}$ -10-I	1
	7.1	12	21	34	15	26	8	48	153021	QS- $\frac{1}{2}$ -12-I	1
G thread with sealing ring											
G $\frac{1}{8}$	2.1	4	13	20.4	5.1	-	2.5	12	186106	QS-G $\frac{1}{8}$ -4-I	10
	3.7	6	13	22.5	5.1	-	4	11	186107	QS-G $\frac{1}{8}$ -6-I	10
	4.7	8	13.8	26.7	5.1	-	5	13	186109	QS-G $\frac{1}{8}$ -8-I	10
G $\frac{1}{4}$	3.7	6	17	21	5.6	-	4	18	186108	QS-G $\frac{1}{4}$ -6-I	10
	5	8	17	25.2	5.6	-	6	22	186110	QS-G $\frac{1}{4}$ -8-I	10
	6.7	10	17	29.7	5.6	-	7	22	186112	QS-G $\frac{1}{4}$ -10-I	10
G $\frac{3}{8}$	5	8	19	24.7	6.6	-	6	29	186111	QS-G $\frac{3}{8}$ -8-I	10
	6.7	10	19	27.2	6.6	-	7	28	186113	QS-G $\frac{3}{8}$ -10-I	10
	7.1	12	20.8	32.3	6.6	-	8	38	186114	QS-G $\frac{3}{8}$ -12-I	10
G $\frac{1}{2}$	7.1	12	24	28.8	7.6	-	8	50	186115	QS-G $\frac{1}{2}$ -12-I	1

* Packaging unit quantity

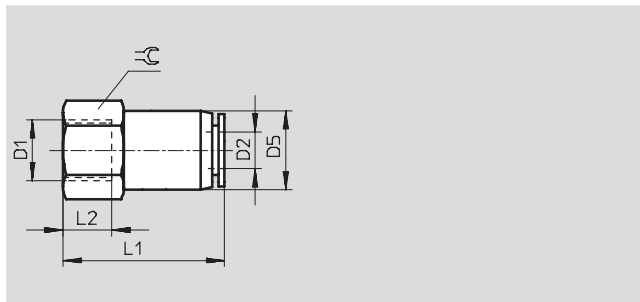
Push-in fittings QS, Quick Star

Technical data

Push-in fitting QSF
Female thread
with external hex



G thread



Dimensions and ordering data										
Connection	Nominal size	Tubing O.D.	D5 Ø	L1	L2	⌀	Weight/piece	Part No.	Type	PU*
D1	[mm]	D2			[mm]		[g]			
G thread with sealing ring										
G $\frac{1}{8}$	2.6	4	11	24.4	7	14	15	153022	QSF- $\frac{1}{8}$ -4-B	10
								130709	QSF- $\frac{1}{8}$ -4-B-100	100
	4	6	13	26.5	7	14	18	153023	QSF- $\frac{1}{8}$ -6-B	10
								130710	QSF- $\frac{1}{8}$ -6-B-100	100
	5.8	8	14.5	28	7	14	19	153025	QSF- $\frac{1}{8}$ -8-B	10
								130711	QSF- $\frac{1}{8}$ -8-B-50	50
G $\frac{1}{4}$	2.8	4	14	27.4	9	17	23	190650	QSF- $\frac{1}{4}$ -4-B	10
	4	6	13	29.5	9	17	24	153024	QSF- $\frac{1}{4}$ -6-B	10
								130712	QSF- $\frac{1}{4}$ -6-B-100	100
	5.8	8	15	31	9	17	27	153026	QSF- $\frac{1}{4}$ -8-B	10
								130713	QSF- $\frac{1}{4}$ -8-B-50	50
	7.4	10	17.5	33.7	9	17	32	153028	QSF- $\frac{1}{4}$ -10-B	10
							130714	QSF- $\frac{1}{4}$ -10-B-50	50	
	7.2	12	20.8	35.8	9	21	56	190651	QSF- $\frac{1}{4}$ -12-B	10
G $\frac{3}{8}$	4.1	6	13	30.5	11	21	31	190652	QSF- $\frac{3}{8}$ -6-B	10
	5.8	8	15.5	32	11	21	35	153027	QSF- $\frac{3}{8}$ -8-B	10
								130715	QSF- $\frac{3}{8}$ -8-B-50	50
	7.4	10	17.5	34.7	11	21	40	153029	QSF- $\frac{3}{8}$ -10-B	10
								130716	QSF- $\frac{3}{8}$ -10-B-50	50
	9.5	12	20.8	36.8	11	21	50	153030	QSF- $\frac{3}{8}$ -12-B	10
							130717	QSF- $\frac{3}{8}$ -12-B-20	20	
G $\frac{1}{2}$	9.5	12	20.8	40.8	14	24	59	190653	QSF- $\frac{1}{2}$ -12-B	1
	10.6	16	25	43.8	14	25	81	190654	QSF- $\frac{1}{2}$ -16-B	1

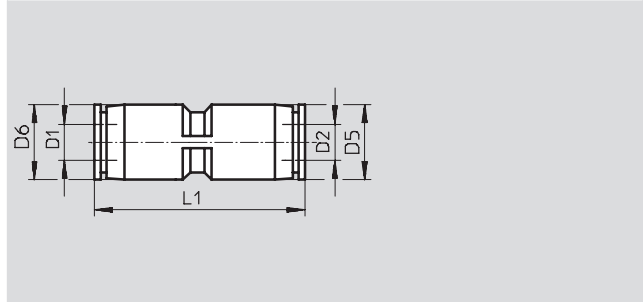
* Packaging unit quantity

Push-in fittings QS, Quick Star

Technical data

FESTO

Push-in connector QS



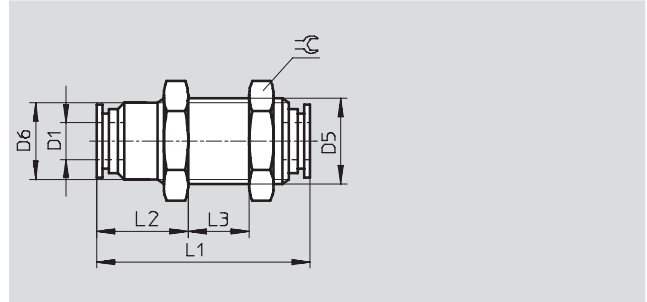
Dimensions and ordering data															
Tubing O.D. D1	Nominal size [mm]	Tubing O.D. D2	D5 Ø	D6	L1	Weight/piece [g]	Part No.	Type	PU*						
4	2.6	4	10	-	31	5	153031	QS-4	10						
							130686	QS-4-100	100						
6	4	6	12.5	-	35	6.5	153032	QS-6	10						
							130687	QS-6-100	100						
8	5	8	14.5	-	38	9.5	153033	QS-8	10						
							130688	QS-8-50	50						
10	6.7	10	17.5	-	44	16	153034	QS-10	10						
							130689	QS-10-50	50						
12	8.7	12	21	-	48	22	153035	QS-12	10						
							130690	QS-12-20	20						
16	13.7	16	25	-	50	25	153036	QS-16	1						
Reducing															
6	2.6	4	12.5	12.5	34.4	6.4	153037	QS-6-4	10						
							130691	QS-6-4-100	100						
8	2.3	4	10.7	14.5	36.6	7.2	130606	QS-8-4	10						
							4	6	14.5	14.5	37.9	8.8	153038	QS-8-6	10
													130692	QS-8-6-50	50
10	3.7	6	13	17.5	39.8	12	130607	QS-10-6	10						
							5	8	17.5	17.5	43.1	14	153039	QS-10-8	10
													130693	QS-10-8-50	50
12	5.2	8	14.5	21	44	16	130608	QS-12-8	10						
							6.7	10	21	21	47.6	21	153040	QS-12-10	10
													130694	QS-12-10-20	20

* Packaging unit quantity

Push-in fittings QS, Quick Star

Technical data

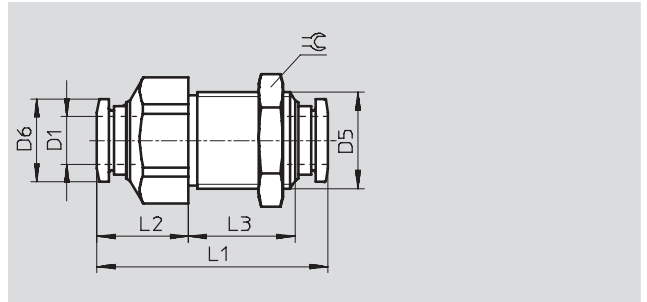
Push-in bulkhead connector QSS



Push-in bulkhead connector

QSS-...-F

with fixed collar



Dimensions and ordering data												
Tubing O.D.	Nominal size	D5	D6	L1	L2	L3	≈C	Weight/ piece [g]	Part No.	Type	PU*	
D1	[mm]		∅									
4	2.6	M12x1	11	31	14.5	7	14	10.5	153157	QSS-4	10	
									130788	QSS-4-100	100	
6	4	M14x1	12.5	35	15	10	17	16	153158	QSS-6	10	
									130789	QSS-6-100	100	
8	5	M16x1	14.5	37.5	18	9	19	19.5	153159	QSS-8	10	
									130790	QSS-8-50	50	
10	6.7	M20x1	18.5	43	18.5	13	24	37.5	153160	QSS-10	10	
									130791	QSS-10-50	50	
12	9.5	M22x1	20.5	47	16.5	18	27	56	153161	QSS-12	10	
									130792	QSS-12-20	20	
With fixed collar												
4	2.6	M12x1	9.9	33	13	14.7	14	–	193950	QSS-4-F	☉ New	10
6	4.0	M14x1	11.8	34.9	14.4	14.7	17	–	193951	QSS-6-F	☉ New	10
8	5.5	M16x1	13.8	38.4	15.2	17.7	19	40	130642	QSS-8-F		10
10	6.5	M20x1	16.8	47.1	20.3	20.9	24	86	130643	QSS-10-F		10
12	7.5	M22x1	19.8	48.5	18.9	24.1	27	105	130644	QSS-12-F		10

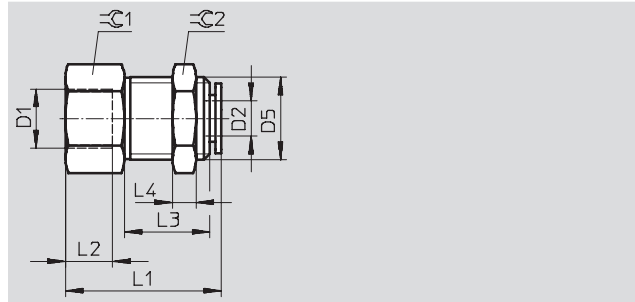
* Packaging unit quantity

Push-in fittings QS, Quick Star

Technical data

FESTO

Push-in bulkhead connector QSSF
with female thread



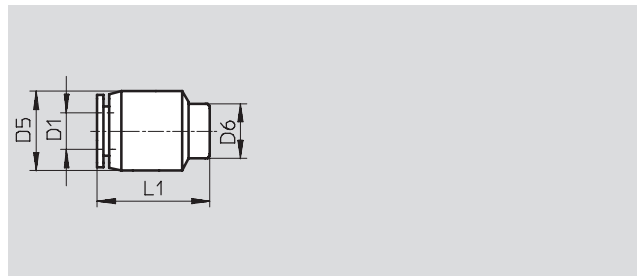
Dimensions and ordering data													
Connection	Nominal size	Tubing O.D.	D5 Ø	L1	L2	L3	L4	⌀ 1	⌀ 2	Weight/ piece [g]	Part No.	Type	PU*
D1	[mm]	D2											
G ¹ / ₈	2.7	4	M12x1	24.5	7	9.9	4	14	14	18	153162	QSSF- ¹ / ₈ -4-B	10
	4.2	6	M14x1	27.1	7	11.9	4	17	17	29	153163	QSSF- ¹ / ₈ -6-B	10
	5.4	8	M16x1	29	7	13.5	4	19	19	38	153165	QSSF- ¹ / ₈ -8-B	10
G ¹ / ₄	2.7	4	M12x1	27.5	9	9.9	4	17	14	25	190655	QSSF- ¹ / ₄ -4-B	10
	4	6	M14x1	30.1	9	11.9	4	17	17	29	153164	QSSF- ¹ / ₄ -6-B	10
	5.5	8	M16x1	32	9	13.5	4	19	19	40	153166	QSSF- ¹ / ₄ -8-B	10
	7.2	10	M20x1	34.8	9	14.9	5	24	24	77	153168	QSSF- ¹ / ₄ -10-B	10
G ³ / ₈	4	6	M14x1	31.1	11	11.9	4	19	17	29	190656	QSSF- ³ / ₈ -6-B	10
	5.3	8	M16x1	33	11	13.5	4	19	19	33	153167	QSSF- ³ / ₈ -8-B	10
	7.1	10	M20x1	35.8	11	14.9	5	24	24	72	153169	QSSF- ³ / ₈ -10-B	10
	9.5	12	M22x1	38.8	11	18.4	6	24	27	84	153170	QSSF- ³ / ₈ -12-B	10
G ¹ / ₂	9.4	12	M22x1	41.9	14	18.4	6	24	27	76	153171	QSSF- ¹ / ₂ -12-B	1
	10.6	16	M27x1.5	43.8	14	18.4	10	29	32	145	190657	QSSF- ¹ / ₂ -16-B	1

* Packaging unit quantity

Push-in fittings QS, Quick Star

Technical data

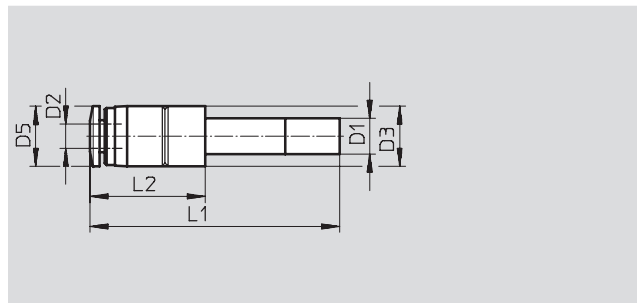
Push-in cap QSC



Dimensions and ordering data							
Tubing O.D.	D5 ∅	D6 ∅	L1	Weight/piece [g]	Part No.	Type	PU*
D1							
4	10	7	16.5	2.5	153262	QSC-4	10
					130704	QSC-4-100	100
6	13	9	18.5	3.5	153263	QSC-6	10
					130705	QSC-6-100	100
8	15	11	20	5	153264	QSC-8	10
					130706	QSC-8-50	50
10	18	13	22.5	8	153265	QSC-10	10
					130707	QSC-10-50	50
12	21.5	16	23	11.5	153266	QSC-12	10
					130708	QSC-12-20	20

* Packaging unit quantity

Push-in connector QS-...H with push-in sleeve



Dimensions and ordering data											
Push-in sleeve ∅	Nominal size	Tubing O.D.	D3 ∅	D5 ∅	L1	L2	Weight/piece [g]	Part No.	Type	PU*	
D1	[mm]	D2									
6	2.5	4	10	9.9	37.7	15.2	2.9	153041	QS-6H-4	10	
			12.5	9.9	40.2	16.7		3.8	130695	QS-6H-4-100	100
8	2.4	6	12.5	11.8	40.8	17.3	4	153042	QS-8H-6	10	
8	3.8		12.5	11.8	43.8	18.8	4.5	130623	QS-10H-6	10	
			14.5	13.8	43.7	18.7	5.8	153043	QS-10H-8	10	
10	5.4		14.5	13.8	49.7	20.7	6.7	130697	QS-10H-8-50	50	
12	5.4	8	14.5	13.8	49.7	20.7	6.7	130624	QS-12H-8	10	
12	6.3		10	17.5	16.8	50	21	9.6	153044	QS-12H-10	10
										130698	QS-12H-10-20

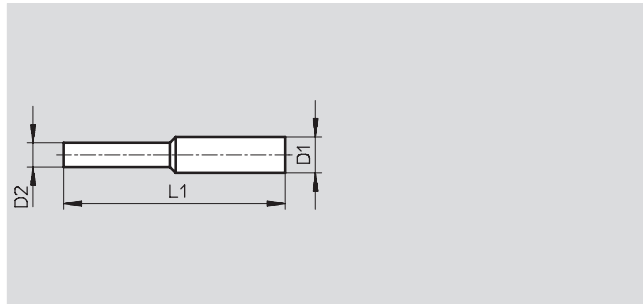
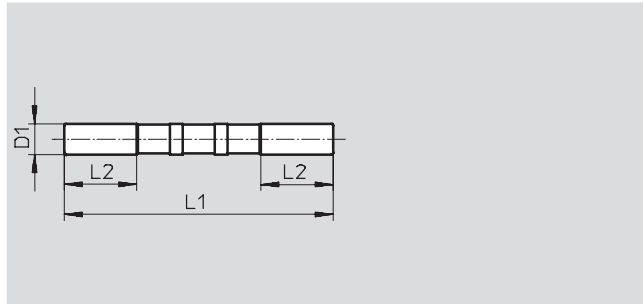
* Packaging unit quantity

Push-in fittings QS, Quick Star

Technical data

FESTO

Push-in sleeve QSH



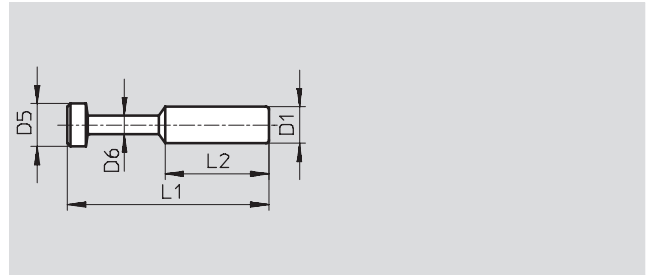
Dimensions and ordering data								
Push-in sleeve Ø D1	Nominal size [mm]	Push-in sleeve Ø D2	L1	L2	Weight/piece [g]	Part No.	Type	PU*
4	2.5	-	34.8	11.3	0.5	153251	QSH-4	10
						130723	QSH-4-100	100
6	4	-	38.2	11.3	0.5	153252	QSH-6	10
						130724	QSH-6-100	100
8	6	-	41.4	12.1	1	153253	QSH-8	10
						130725	QSH-8-50	50
10	7.5	-	46.2	13	1.5	153254	QSH-10	10
						130726	QSH-10-50	50
12	9	-	52.8	17.5	3	153255	QSH-12	10
						130727	QSH-12-20	20
16	11	-	55.6	18	4	153256	QSH-16	1
Reducing								
6	2.3	4	36.7	-	0.5	153257	QSH-6-4	10
						130718	QSH-6-4-100	100
8	2.3	4	41.1	-	0.9	130625	QSH-8-4	10
						153258	QSH-8-6	10
							130719	QSH-8-6-50
10	3.8	6	43.7	-	1.4	130626	QSH-10-6	10
						153259	QSH-10-8	10
							130720	QSH-10-8-50
12	3.6	8	47.5	-	2.1	130627	QSH-12-8	10
						153260	QSH-12-10	10
							130721	QSH-12-10-20
16	7.8	12	54.4	-	4.2	153261	QSH-16-12	1
						130722	QSH-16-12-20	20

* Packaging unit quantity

Push-in fittings QS, Quick Star

Technical data

Blanking plug QSC-...H



Dimensions and ordering data								
Push-in sleeve Ø D1	D5 Ø	D6 Ø	L1	L2	Weight/piece [g]	Part No.	Type	PU*
4	5	3	28	15	0.5	153267	QSC-4H	10
						130699	QSC-4H-100	100
6	7	3	33	17	0.5	153268	QSC-6H	10
						130700	QSC-6H-100	100
8	9	4	37	18	1	153269	QSC-8H	10
						130701	QSC-8H-50	50
10	11	5	42	20.5	2	153270	QSC-10H	10
						130702	QSC-10H-50	50
12	13	6	44	23	2.5	153271	QSC-12H	10
						130703	QSC-12H-20	20
16	17	8	46	24	4	153272	QSC-16H	10

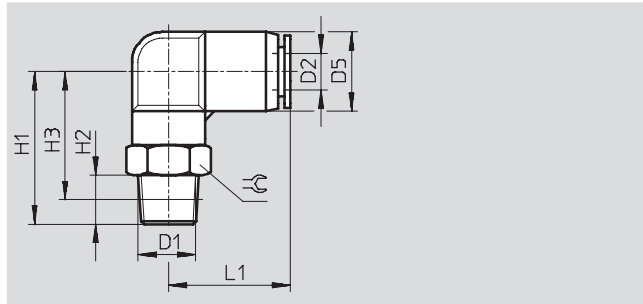
* Packaging unit quantity

Push-in fittings QS, Quick Star

Technical data

Push-in L-fitting QSL

360° rotatable
Male thread
with external hex



Dimensions and ordering data												
Connection	Nominal size	Tubing O.D.	D5	H1	H2	H3	L1	⌀	Weight/ piece	Part No.	Type	PU*
D1	[mm]	D2	∅						[g]			
R thread												
R $\frac{1}{8}$	2.3	4	10	23.5	8	19.5	18.5	10	12	153045	QSL- $\frac{1}{8}$ -4	10
										130728	QSL- $\frac{1}{8}$ -4-100	100
	3.6	6	12.5	25	8	21	20	12	14	153046	QSL- $\frac{1}{8}$ -6	10
										130729	QSL- $\frac{1}{8}$ -6-100	100
	4.6	8	14.5	28	8	24	23	14	18	153048	QSL- $\frac{1}{8}$ -8	10
									130730	QSL- $\frac{1}{8}$ -8-50	50	
	5.3	10	17.5	33	8	29.1	26.2	17	31	190658	QSL- $\frac{1}{8}$ -10	10
R $\frac{1}{4}$	2.3	4	10	26.3	11	20.3	18	14	21	190659	QSL- $\frac{1}{4}$ -4	10
	3.6	6	12.5	28	11	22	20	14	22	153047	QSL- $\frac{1}{4}$ -6	10
										130731	QSL- $\frac{1}{4}$ -6-100	100
	4.6	8	14.5	31	11	25	23	14	24	153049	QSL- $\frac{1}{4}$ -8	10
										130732	QSL- $\frac{1}{4}$ -8-50	50
	6.2	10	17.5	37	11	30.5	26.5	17	34	153051	QSL- $\frac{1}{4}$ -10	10
									130733	QSL- $\frac{1}{4}$ -10-50	50	
	7.7	12	21	38	11	32	29.5	21	50.5	164981	QSL- $\frac{1}{4}$ -12	10
										130734	QSL- $\frac{1}{4}$ -12-20	20
R $\frac{3}{8}$	3.6	6	12.5	29.8	12	23.7	19.7	17	35	190660	QSL- $\frac{3}{8}$ -6	10
	4.6	8	14.5	33	12	26.5	23	17	37	153050	QSL- $\frac{3}{8}$ -8	10
										130735	QSL- $\frac{3}{8}$ -8-50	50
	6.2	10	17.5	40	12	32	26.5	17	42	153052	QSL- $\frac{3}{8}$ -10	10
										130736	QSL- $\frac{3}{8}$ -10-20	20
	7.7	12	21	41.5	12	34	29.5	21	51.5	153053	QSL- $\frac{3}{8}$ -12	10
									130737	QSL- $\frac{3}{8}$ -12-20	20	
	10.1	16	25	47	11	40.5	33.5	22	81.5	164958	QSL- $\frac{3}{8}$ -16	1
R $\frac{1}{2}$	6.2	10	17.5	40	15	31.9	26.2	21	64	190661	QSL- $\frac{1}{2}$ -10	1
	7.7	12	21	41.5	15	33.5	29.5	21	66	153054	QSL- $\frac{1}{2}$ -12	1
										130738	QSL- $\frac{1}{2}$ -12-20	20
	10.9	16	25	51	15	43	33.5	22	85.5	153055	QSL- $\frac{1}{2}$ -16	1
									130739	QSL- $\frac{1}{2}$ -16-20	20	

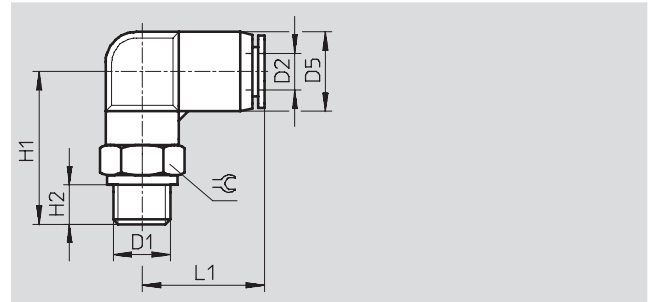
* Packaging unit quantity

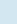












Push-in fittings QS, Quick Star

Technical data

Push-in L-fitting QSL

360° rotatable
Male thread
with external hex



Dimensions and ordering data												
Connection	Nominal size	Tubing O.D.	D5 ∅	H1	H2	H3	L1		Weight/ piece [g]	Part No.	Type	PU*
D1	[mm]	D2										
G thread with sealing ring												
G ¹ / ₈	2.3	4	10	23.3	5.1	-	18	13	14	186116	QSL-G ¹ / ₈ -4	10
										132048	QSL-G ¹ / ₈ -4-100	 New 100
	3.6	6	12.5	24	5.1	-	19.8	13	15	186117	QSL-G ¹ / ₈ -6	10
										132049	QSL-G ¹ / ₈ -6-100	 New 100
G ¹ / ₄	4.6	8	14.5	27	5.1	-	22.7	14	18	186119	QSL-G ¹ / ₈ -8	10
										132050	QSL-G ¹ / ₈ -8-50	 New 50
	3.6	6	12.5	25.5	5.6	-	19.8	17	24	186118	QSL-G ¹ / ₄ -6	10
										132051	QSL-G ¹ / ₄ -6-100	 New 100
G ¹ / ₄	4.6	8	14.5	28.5	5.6	-	22.7	17	26	186120	QSL-G ¹ / ₄ -8	10
										132052	QSL-G ¹ / ₄ -8-50	 New 50
	6.2	10	17.5	32.5	5.6	-	26.2	17	32	186122	QSL-G ¹ / ₄ -10	10
										132053	QSL-G ¹ / ₄ -10-50	 New 50
G ¹ / ₄	6.2	12	21	34.5	5.6	-	29.4	21	51	186351	QSL-G ¹ / ₄ -12	10
										132054	QSL-G ¹ / ₄ -12-20	 New 20
	4.6	8	14.5	30	6.6	-	22.7	19	39	186121	QSL-G ³ / ₈ -8	10
										132055	QSL-G ³ / ₈ -8-50	 New 50
G ³ / ₈	6.2	10	17.5	34	6.6	-	26.2	19	42	186123	QSL-G ³ / ₈ -10	10
										132056	QSL-G ³ / ₈ -10-20	 New 20
	7.7	12	21	36	6.6	-	29.4	21	45	186124	QSL-G ³ / ₈ -12	10
										132057	QSL-G ³ / ₈ -12-20	 New 20
G ³ / ₈	10.1	16	25	45	6.6	-	33.1	24	83	186348	QSL-G ³ / ₈ -16	1
	7.7	12	21	39	7.6	-	29.4	24	70	186125	QSL-G ¹ / ₂ -12	1
										132058	QSL-G ¹ / ₂ -12-20	 New 20
	10.9	16	25	46	7.6	-	33.1	24	82	186126	QSL-G ¹ / ₂ -16	1
G ¹ / ₂										132059	QSL-G ¹ / ₂ -16-20	 New 20

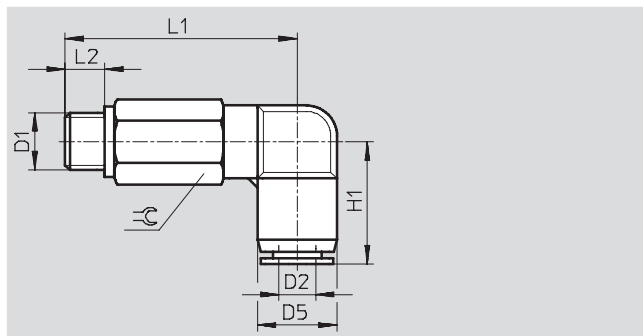
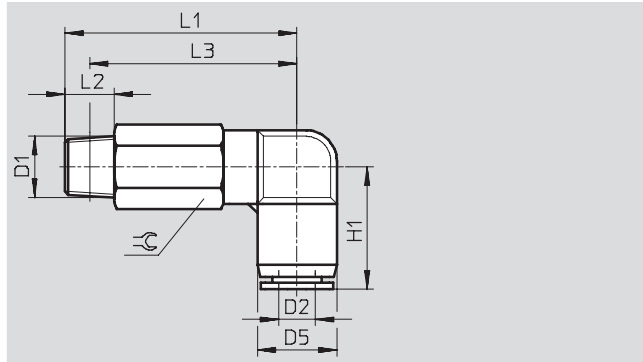
* Packaging unit quantity


Push-in fittings QS, Quick Star

Technical data

Push-in long L-fitting QSLL

360° rotatable
Male thread
with external hex



Dimensions and ordering data												
Connection	Nominal size	Tubing O.D.	D5	H1	L1	L2	L3	⌀	Weight/ piece	Part No.	Type	PU*
D1	[mm]	D2	∅						[g]			
R thread												
R $\frac{1}{8}$	2.3	4	10	17	37	8	32.5	10	18	153076	QSLL- $\frac{1}{8}$ -4	10
	3.6	6	12.5	20	38	8	34	12	26	153077	QSLL- $\frac{1}{8}$ -6	10
	4.6	8	14.5	22.5	43.5	8	39.5	14	36.5	153079	QSLL- $\frac{1}{8}$ -8	10
R $\frac{1}{4}$	2.9	4	10	18	38.3	11	32.3	14	34	190662	QSLL- $\frac{1}{4}$ -4	10
	3.6	6	12.5	20	41	11	35	14	39	153078	QSLL- $\frac{1}{4}$ -6	10
	4.6	8	14.5	22.5	46.5	11	40.5	14	42.5	153080	QSLL- $\frac{1}{4}$ -8	10
R $\frac{3}{8}$	6.2	10	17.5	26	54.5	11	48.5	17	65	153082	QSLL- $\frac{1}{4}$ -10	10
	3.5	6	12.5	19.7	43.3	12	37.2	17	61	190663	QSLL- $\frac{3}{8}$ -6	10
	4.8	8	14.5	22.5	48.5	12	42	17	65.5	153081	QSLL- $\frac{3}{8}$ -8	10
R $\frac{1}{2}$	6.2	10	17.5	26	55.5	12	49	17	73	153083	QSLL- $\frac{3}{8}$ -10	10
	7.5	12	21	29.5	61	12	54.5	21	107	153084	QSLL- $\frac{3}{8}$ -12	10
R $\frac{1}{2}$	6.4	10	17.5	26.2	60	15	51.9	21	120	190664	QSLL- $\frac{1}{2}$ -10	1
	8.3	12	21	29.5	64	15	56	21	122	153085	QSLL- $\frac{1}{2}$ -12	1
G thread												
G $\frac{1}{8}$	2.3	4	10	18	34.3	5.1	-	13	24	186127	QSLL-G $\frac{1}{8}$ -4	10
	3.6	6	12.5	19.8	37	5.1	-	13	29	186128	QSLL-G $\frac{1}{8}$ -6	10
	4.6	8	14.5	22.7	42.5	5.1	-	14	36	186130	QSLL-G $\frac{1}{8}$ -8	10
G $\frac{1}{4}$	3.6	6	12.5	19.8	37.5	5.6	-	17	48	186129	QSLL-G $\frac{1}{4}$ -6	10
	4.6	8	14.5	22.7	43	5.6	-	17	53	186131	QSLL-G $\frac{1}{4}$ -8	10
	6.2	10	17.5	26.2	51	5.6	-	17	63	186133	QSLL-G $\frac{1}{4}$ -10	10
	8.0	12	21	29.4	56.5	5.6	-	21	109	132596	QSLL-G $\frac{1}{4}$ -12  New	10
G $\frac{3}{8}$	4.8	8	14.5	22.7	45.3	6.6	-	19	73	186132	QSLL-G $\frac{3}{8}$ -8	10
	6.2	10	17.5	26.2	52.5	6.6	-	19	82	186134	QSLL-G $\frac{3}{8}$ -10	10
	7.5	12	21	29.4	58	6.6	-	21	104	186135	QSLL-G $\frac{3}{8}$ -12	10
G $\frac{1}{2}$	8.3	12	21	29.4	59	7.6	-	24	140	186136	QSLL-G $\frac{1}{2}$ -12	1
	10	16	25	33.1	73	7.6	-	24	164	190665	QSLL-G $\frac{1}{2}$ -16	1

* Packaging unit quantity

Push-in fittings QS, Quick Star

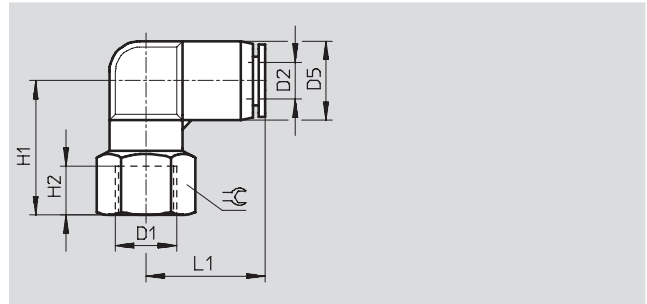
Technical data

Push-in L-fitting QSLF

Female thread
with external hex



G thread



Dimensions and ordering data											
Connection	Nominal size	Tubing O.D.	D5	H1	H2	L1	⌀	Weight/ piece	Part No.	Type	PU*
D1	[mm]	D2	∅					[g]			
G thread											
G $\frac{1}{8}$	2.1	4	10	21.3	7	18	14	13	153273	QSLF- $\frac{1}{8}$ -4-B	10
	3.6	6	12.5	22	7	19.8	14	16	153274	QSLF- $\frac{1}{8}$ -6-B	10
	4.7	8	14.5	25	7	22.7	14	19	153276	QSLF- $\frac{1}{8}$ -8-B	10
G $\frac{1}{4}$	3.6	6	12.5	25	9	19.8	17	22	153275	QSLF- $\frac{1}{4}$ -6-B	10
	4.7	8	14.5	28	9	22.7	17	25	153277	QSLF- $\frac{1}{4}$ -8-B	10
	5.4	10	17.5	32	9	26.2	19	39	153279	QSLF- $\frac{1}{4}$ -10-B	10
G $\frac{3}{8}$	4.8	8	14.5	29	11	22.7	21	31	153278	QSLF- $\frac{3}{8}$ -8-B	10
	6.2	10	17.5	33	11	26.2	21	40	153280	QSLF- $\frac{3}{8}$ -10-B	10

* Packaging unit quantity

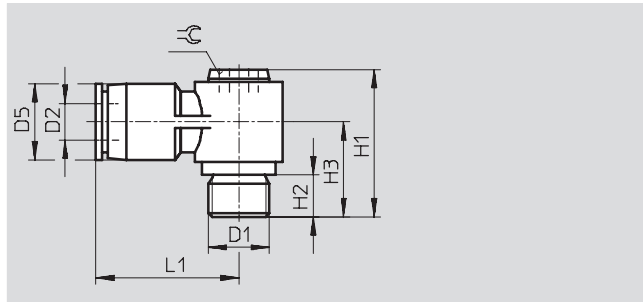
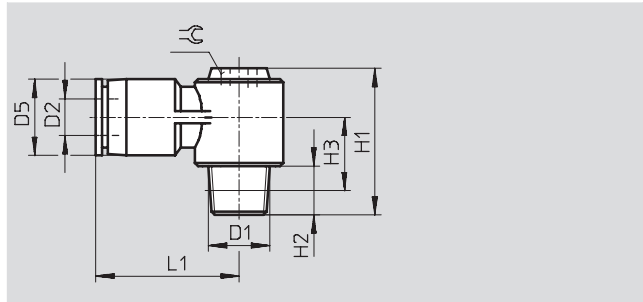
Push-in fittings QS, Quick Star

Technical data

FESTO

Push-in L-fitting QSLV-...-I

360° rotatable
Male thread
with internal hex



Dimensions and ordering data												
Connection	Nominal size	Tubing O.D.	D5	H1	H2	H3	L1	≈	Weight/ piece	Part No.	Type	PU*
D1	[mm]	D2	∅						[g]			
R thread												
R $\frac{1}{8}$	3	6	13	24	8	11.5	23.5	5	15	153097	QSLV- $\frac{1}{8}$ -6-I	10
	4.2	8	14	27	8	12	26.5	8	22	153099	QSLV- $\frac{1}{8}$ -8-I	10
R $\frac{1}{4}$	3.1	6	13	27	11	12.5	23.5	5	21.5	153098	QSLV- $\frac{1}{4}$ -6-I	10
	4	8	14	30	11	13	26.5	8	28	153100	QSLV- $\frac{1}{4}$ -8-I	10
	5.4	10	18	34	11	14.5	30.5	10	41	153102	QSLV- $\frac{1}{4}$ -10-I	10
R $\frac{3}{8}$	4.2	8	14	31	12	13.5	26.5	8	36.5	153101	QSLV- $\frac{3}{8}$ -8-I	10
	5.4	10	18	35	12	15.5	30.5	10	49.5	153103	QSLV- $\frac{3}{8}$ -10-I	10
	6.9	12	21	39	12	17	36.5	12	68	153104	QSLV- $\frac{3}{8}$ -12-I	10
R $\frac{1}{2}$	6.4	12	21	42	15	16.5	36.5	12	83	153105	QSLV- $\frac{1}{2}$ -12-I	1
G thread												
G $\frac{1}{8}$	3	6	13	23	5.1	14.5	23.7	5	15	186148	QSLV-G $\frac{1}{8}$ -6-I	10
	4.2	8	14	26	5.1	15	26.7	8	22	186150	QSLV-G $\frac{1}{8}$ -8-I	10
G $\frac{1}{4}$	3.1	6	13	23.5	5.6	15	23.7	5	19	186149	QSLV-G $\frac{1}{4}$ -6-I	10
	4	8	14	26.5	5.6	15.5	26.7	8	25	186151	QSLV-G $\frac{1}{4}$ -8-I	10
	5.4	10	18	30.5	5.6	17.5	30.7	10	38	186153	QSLV-G $\frac{1}{4}$ -10-I	10
G $\frac{3}{8}$	4.2	8	14	28	6.6	17	26.7	8	33	186152	QSLV-G $\frac{3}{8}$ -8-I	10
	5.4	10	18	32	6.6	19	30.7	10	45	186154	QSLV-G $\frac{3}{8}$ -10-I	10
	6.9	12	21	36	6.6	21	36.4	12	65	186155	QSLV-G $\frac{3}{8}$ -12-I	10
G $\frac{1}{2}$	6.4	12	21	37	7.6	22	36.4	12	75	186156	QSLV-G $\frac{1}{2}$ -12-I	1

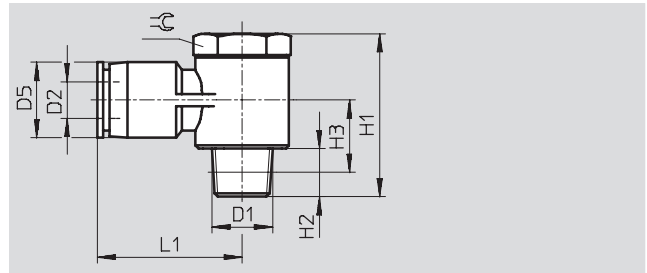
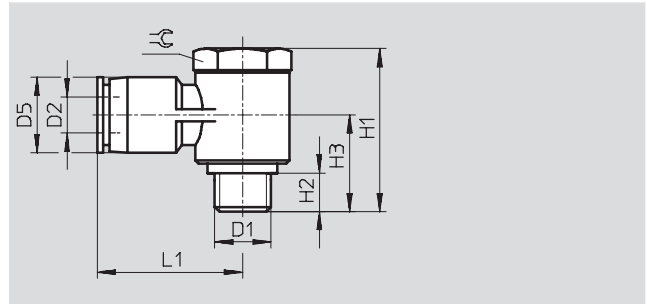
* Packaging unit quantity

Push-in fittings QS, Quick Star

Technical data

Push-in L-fitting QSLV

360° rotatable
Male thread
with external hex



Dimensions and ordering data												
Connection	Nominal size	Tubing O.D.	D5	H1	H2	H3	L1	⊖	Weight/ piece	Part No.	Type	PU*
D1	[mm]	D2	∅						[g]			
Metric thread												
M5	1.6	6	12.5	17.7	3.5	10.9	23.1	8	8.2	190666	QSLV-M-5-6	10
R thread												
R ³ / ₈	2.4	4	10	27	8	12	22.5	14	20	153086	QSLV- ³ / ₈ -4	10
										130749	QSLV- ³ / ₈ -4-100	100
	3.7	6	12.5	27	8	12	24	14	35.5	153087	QSLV- ³ / ₈ -6	10
										130750	QSLV- ³ / ₈ -6-100	100
R ³ / ₈	4.4	8	14.5	27	8	12	26	14	37	153089	QSLV- ³ / ₈ -8	10
										130751	QSLV- ³ / ₈ -8-50	50
R ¹ / ₄	3.8	6	12.5	31.5	11	13.5	27	17	32.5	153088	QSLV- ¹ / ₄ -6	10
										130752	QSLV- ¹ / ₄ -6-100	100
	5	8	14.5	31.5	11	13.5	28.5	17	59.5	153090	QSLV- ¹ / ₄ -8	10
										130753	QSLV- ¹ / ₄ -8-50	50
R ¹ / ₄	5.4	10	17.5	31.5	11	14.5	30.5	17	62.5	153092	QSLV- ¹ / ₄ -10	10
										130754	QSLV- ¹ / ₄ -10-50	50
R ³ / ₈	5.2	8	14.5	36	12	15.5	30.5	21	54.5	153091	QSLV- ³ / ₈ -8	10
	6.3	10	17.5	36	12	15.5	33	21	66	153093	QSLV- ³ / ₈ -10	10
	7.1	12	21	36	12	17	35	21	97.5	153094	QSLV- ³ / ₈ -12	10
R ¹ / ₂	8	12	21	40.5	15	16.5	38	24	100	153095	QSLV- ¹ / ₂ -12	1
	8.9	16	25	48.5	15	22	36.5	24	115	153096	QSLV- ¹ / ₂ -16	1

* Packaging unit quantity

Push-in fittings QS, Quick Star

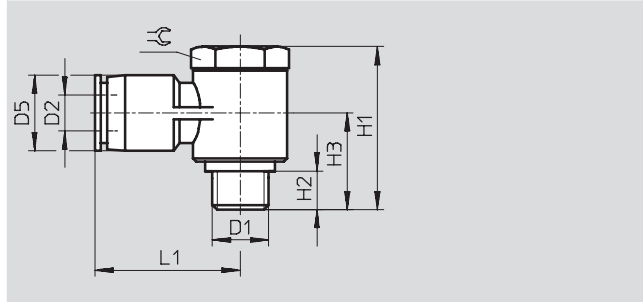
Technical data


Push-in L-fitting QSLV

360° rotatable
Male thread
with external hex



G thread



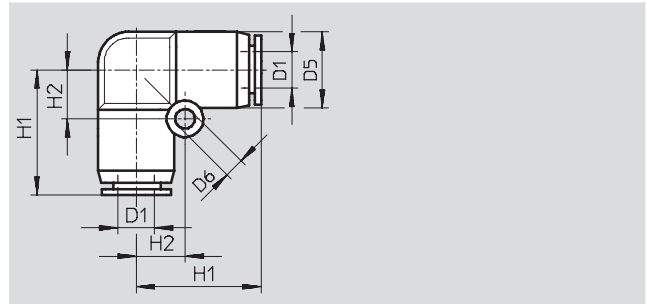
Dimensions and ordering data												
Connection	Nominal size	Tubing O.D.	D5	H1	H2	H3	L1		Weight/ piece	Part No.	Type	PU*
D1	[mm]	D2	∅						[g]			
G thread												
G $\frac{1}{8}$	2.3	4	10	23.7	5.1	13.8	23.4	14	22	186137	QSLV-G$\frac{1}{8}$-4	10
											132060	QSLV-G$\frac{1}{8}$-4-100
	3.5	6	12.4	23.7	5.1	14.1	25.5	14	23	186138	QSLV-G$\frac{1}{8}$-6	10
											132061	QSLV-G$\frac{1}{8}$-6-100
	4	8	14.4	23.7	5.1	15.1	28.4	14	25	186140	QSLV-G$\frac{1}{8}$-8	10
											132062	QSLV-G$\frac{1}{8}$-8-50
G $\frac{1}{4}$	3.7	6	12.4	28.6	5.6	16	29	19	44	186139	QSLV-G$\frac{1}{4}$-6	10
											132063	QSLV-G$\frac{1}{4}$-6-100
	4.9	8	14.4	28.6	5.6	16	28.9	19	45	186141	QSLV-G$\frac{1}{4}$-8	10
											132064	QSLV-G$\frac{1}{4}$-8-50
	5.3	10	17.6	28.6	5.6	17.3	31.2	19	48	186143	QSLV-G$\frac{1}{4}$-10	10
											132065	QSLV-G$\frac{1}{4}$-10-50
G $\frac{3}{8}$	5.4	8	14.4	33.1	6.6	19.2	31	24	71	186142	QSLV-G$\frac{3}{8}$-8	10
	6.4	10	17.6	33.1	6.6	19.2	33.6	24	74	186144	QSLV-G$\frac{3}{8}$-10	10
	6.4	12	21	33.1	6.6	20.9	36.4	24	77	186145	QSLV-G$\frac{3}{8}$-12	10
G $\frac{1}{2}$	7	12	21	34	7.6	21.9	37.9	27	99	186146	QSLV-G$\frac{1}{2}$-12	1
	8.1	16	25	43.1	7.6	24.8	38.1	27	115	186147	QSLV-G$\frac{1}{2}$-16	1

* Packaging unit quantity

Push-in fittings QS, Quick Star

Technical data

Push-in L-connector QSL



Dimensions and ordering data									
Tubing O.D.	Nominal size	D5	D6	H1	H2	Weight/piece	Part No.	Type	PU*
D1	[mm]	∅	∅			[g]			
4	2.3	10	-	17	-	5	153070	QSL-4	10
							130740	QSL-4-100	100
6	3.6	12.5	3.2	20.5	8	7.5	153071	QSL-6	10
							130741	QSL-6-100	100
8	4.6	15	4.2	22	10	10	153072	QSL-8	10
							130742	QSL-8-50	50
10	6.2	17.5	4.2	26	12	17	153073	QSL-10	10
							130743	QSL-10-50	50
12	7.7	21	4.2	29	14	24.5	153074	QSL-12	10
							130744	QSL-12-20	20
16	10.8	25	4.2	33	12	30	153075	QSL-16	1

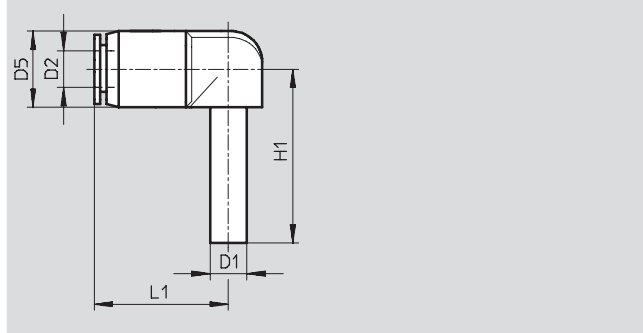
* Packaging unit quantity

Push-in fittings QS, Quick Star

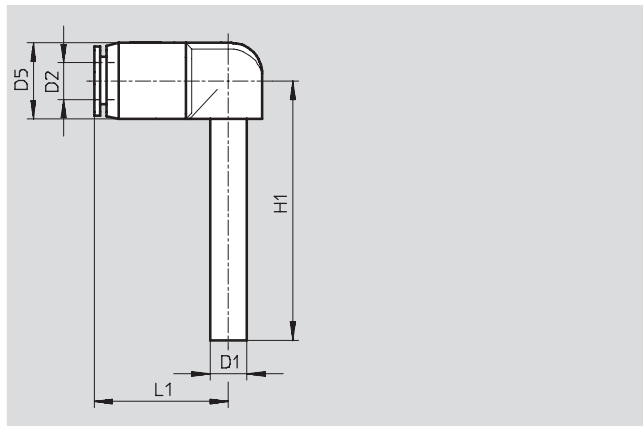
Technical data

FESTO

Push-in L-connector QSL-...H
with push-in sleeve



Long push-in sleeve



Dimensions and ordering data									
Push-in sleeve Ø D1	Nominal size [mm]	Tubing O.D. D2	D5 Ø	H1	L1	Weight/piece [g]	Part No.	Type	PU*
4	2	4	10	25	16.8	2.7	153056	QSL-4H	10
							130745	QSL-4H-100	100
6	3.2	6	12.5	28.5	19.8	3.9	153057	QSL-6H	10
							130746	QSL-6H-100	100
8	4.7	8	14.5	30.7	21.8	5.7	153058	QSL-8H	10
							130747	QSL-8H-50	50
10	6.2	10	17.5	33.7	24.9	9.6	153059	QSL-10H	10
							130748	QSL-10H-50	50
12	7.4	12	21	39	28.9	15	153060	QSL-12H	10
Reducing									
6	2.4	4	12.5	28.5	17.7	3.6	153061	QSL-6H-4	10
8	3.5	6	14.5	30.7	21.9	5.2	153062	QSL-8H-6	10
10	4.7	8	17.5	33.7	24.6	8	153063	QSL-10H-8	10
12	6	10	21	39	28.7	14	153064	QSL-12H-10	10
Long push-in sleeve									
4	2	4	10	36	16.8	2.8	153065	QSL-4HL	10
6	3.1	6	12.5	42	19.8	4.2	153066	QSL-6HL	10
8	4.5	8	14.5	46.7	21.8	6.2	153067	QSL-8HL	10
10	5.8	10	17.5	51.7	24.9	11	153068	QSL-10HL	10
12	7.4	12	21	59.5	28.95	16	153069	QSL-12HL	10

* Packaging unit quantity

Push-in fittings QS, Quick Star

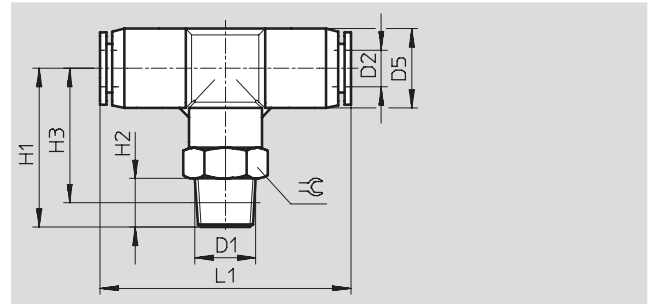
Technical data

Push-in T-fitting QST

360° rotatable
Male thread
with external hex



R thread



Dimensions and ordering data												
Connection	Nominal size	Tubing O.D.	D5	H1	H2	H3	L1	⌀	Weight/ piece	Part No.	Type	PU*
D1	[mm]	D2	∅						[g]			
R thread												
R $\frac{1}{8}$	4.1	4	10	23.5	8	19.5	34	10	14	153106	QST- $\frac{1}{8}$ -4	10
										130793	QST- $\frac{1}{8}$ -4-100	100
	4.7	6	13	26	8	22	41	12	17.5	153107	QST- $\frac{1}{8}$ -6	10
										130794	QST- $\frac{1}{8}$ -6-100	100
	5.4	8	15	26.5	8	22.5	45	14	22.5	153109	QST- $\frac{1}{8}$ -8	10
										130795	QST- $\frac{1}{8}$ -8-50	50
	5.6	10	17.5	33	8	29.1	50.4	17	38.5	190667	QST- $\frac{1}{8}$ -10	10
R $\frac{1}{4}$	2.3	4	10	26.3	11	20.3	33.8	14	24	190668	QST- $\frac{1}{4}$ -4	10
	5.7	6	13	29	11	23	41	14	25.5	153108	QST- $\frac{1}{4}$ -6	10
										130796	QST- $\frac{1}{4}$ -6-100	100
	6	8	15	29.5	11	23.5	45	14	28	153110	QST- $\frac{1}{4}$ -8	10
										130797	QST- $\frac{1}{4}$ -8-50	50
	7.3	10	17.5	36	11	30	51	17	41.5	153112	QST- $\frac{1}{4}$ -10	10
										130798	QST- $\frac{1}{4}$ -10-50	50
	6.2	12	21	38	11	32	56.8	21	61.5	190669	QST- $\frac{1}{4}$ -12	10
R $\frac{3}{8}$	3.6	6	13	30.8	12	24.4	40.2	17	38.5	190670	QST- $\frac{3}{8}$ -6	10
	7.2	8	15	31.5	12	25	45	17	41	153111	QST- $\frac{3}{8}$ -8	10
										130799	QST- $\frac{3}{8}$ -8-50	50
	8	10	17.5	37	12	30.5	51	17	50.5	153113	QST- $\frac{3}{8}$ -10	10
										130800	QST- $\frac{3}{8}$ -10-20	20
	8.8	12	21	39	12	32.5	56	21	61.5	153114	QST- $\frac{3}{8}$ -12	10
										130801	QST- $\frac{3}{8}$ -12-20	20
	10.1	16	25	47	11	40.5	67	22	95	164959	QST- $\frac{3}{8}$ -16	1
R $\frac{1}{2}$	6.2	10	17.5	40	15	31.9	50.4	21	72.5	190672	QST- $\frac{1}{2}$ -10	1
	9.9	12	21	42	15	34	56	21	77	153115	QST- $\frac{1}{2}$ -12	1
	11.2	16	25	51	15	43	67	22	99	153116	QST- $\frac{1}{2}$ -16	1

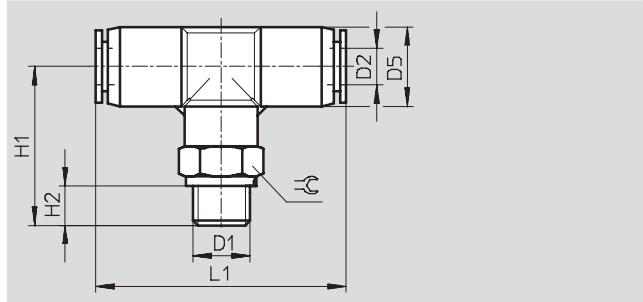
* Packaging unit quantity

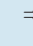

Push-in fittings QS, Quick Star

Technical data

Push-in T-fitting QST

360° rotatable
Male thread
with external hex



Dimensions and ordering data											
Connection	Nominal size	Tubing O.D.	D5 ∅	H1	H2	L1		Weight/ piece [g]	Part No.	Type	PU*
D1	[mm]	D2									
G thread											
G $\frac{1}{8}$	2.3	4	10	23.3	5.1	33.8	13	16	186157	QST-G $\frac{1}{8}$ -4	10
									132066	QST-G $\frac{1}{8}$ -4-100	100
	3.6	6	13	25	5.1	40.3	13	18	186158	QST-G $\frac{1}{8}$ -6	10
									132067	QST-G $\frac{1}{8}$ -6-100	100
	4.6	8	15	25.3	5.1	44.8	14	22	186160	QST-G $\frac{1}{8}$ -8	10
									132068	QST-G $\frac{1}{8}$ -8-50	50
G $\frac{1}{4}$	3.6	6	13	26.5	5.6	40.3	17	27	186159	QST-G $\frac{1}{4}$ -6	10
									132069	QST-G $\frac{1}{4}$ -6-100	100
	4.6	8	15	26.8	5.6	44.8	17	31	186161	QST-G $\frac{1}{4}$ -8	10
									132070	QST-G $\frac{1}{4}$ -8-50	50
	6.2	10	17.5	32.5	5.6	50.4	17	39	186163	QST-G $\frac{1}{4}$ -10	10
									132071	QST-G $\frac{1}{4}$ -10-50	50
8.0	12	21	34.5	5.6	56.8	21	58	132597	QST-G $\frac{1}{4}$ -12	 New 10	
G $\frac{3}{8}$	4.6	8	15	28.3	6.6	44.8	19	44	186162	QST-G $\frac{3}{8}$ -8	10
									132072	QST-G $\frac{3}{8}$ -8-50	50
	6.2	10	17.5	34	6.6	50.4	19	49	186164	QST-G $\frac{3}{8}$ -10	10
									132073	QST-G $\frac{3}{8}$ -10-20	20
	7.7	12	21	36	6.6	56.8	21	56	186165	QST-G $\frac{3}{8}$ -12	10
									132074	QST-G $\frac{3}{8}$ -12-20	20
10.2	16	25	45	6.6	66.2	24	97	186349	QST-G $\frac{3}{8}$ -16	1	
G $\frac{1}{2}$	7.7	12	21	39	7.6	56.8	24	81	186166	QST-G $\frac{1}{2}$ -12	1
									186167	QST-G $\frac{1}{2}$ -16	1

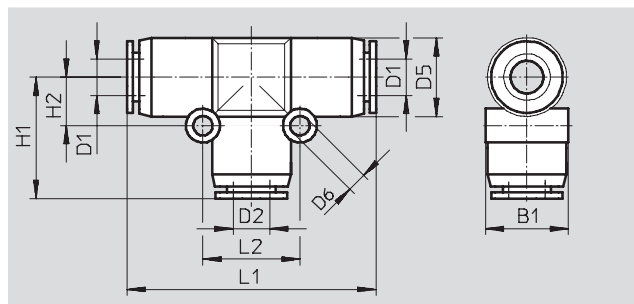
* Packaging unit quantity

Push-in fittings QS, Quick Star

Technical data



Push-in T-connector QST



Dimensions and ordering data													
Tubing O.D.	Nominal size	Tubing O.D.	D5	D6	B1	H1	H2	L1	L2	Weight/ piece	Part No.	Type	PU*
D1	[mm]	D2	∅	∅						[g]			
4	2.6	4	10	-	-	17	-	34	-	7	153128	QST-4	10
											130802	QST-4-100	100
6	4	6	13	3.2	-	20	8	40	16	10.5	153129	QST-6	10
											130803	QST-6-100	100
8	5	8	15	3.2	-	22	9	44	18	15.5	153130	QST-8	10
											130804	QST-8-50	50
10	6.7	10	18	4.2	-	25.5	12	51	24	25.5	153131	QST-10	10
											130805	QST-10-50	50
12	8.7	12	21.5	4.2	-	28	14	56	28	36	153132	QST-12	10
											130806	QST-12-20	20
16	10.7	16	25.5	4.2	-	33	12	66	24	43.5	153133	QST-16	1
Reducing													
6	2.3	4	13	3.2	13	19.5	8	40.1	16	11	153134	QST-6-4	10
											130820	QST-6-4-100	100
8	2.3	4	14.5	3.2	15,1	21.7	9	44.4	18	14	130613	QST-8-4	10
											153135	QST-8-6	10
8	3.5	6	14.5	3.2	15,1	22.3	9	44.4	18	14	130821	QST-8-6-50	50
10	3.7	6	17.5	4.2	18,2	25	12	50.4	24	22	130614	QST-10-6	10
											153136	QST-10-8	10
10	4.9	8	17.5	4.2	18,2	24.9	12	50.4	24	23	130822	QST-10-8-50	50
12	5.1	8	21	4.2	21,7	27.7	14	56.8	28	32	130615	QST-12-8	10
											153137	QST-12-10	10
12	6.1	10	21	4.2	21,7	28	14	56.8	28	34	130823	QST-12-10-20	20
16	7.6	12	25	4.2	25,7	33.2	12	66.2	24	45	130616	QST-16-12	1

* Packaging unit quantity

Push-in fittings QS, Quick Star

Technical data

FESTO

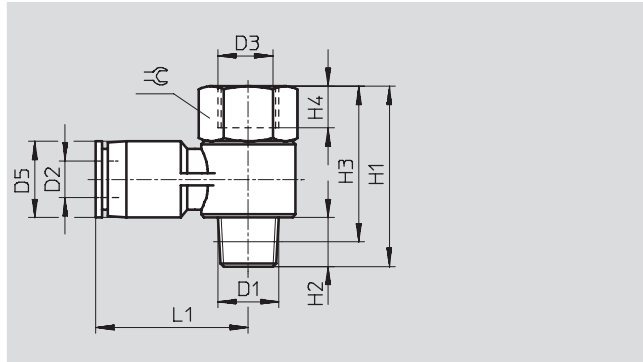
Push-in T-fitting QSTF

360° rotatable

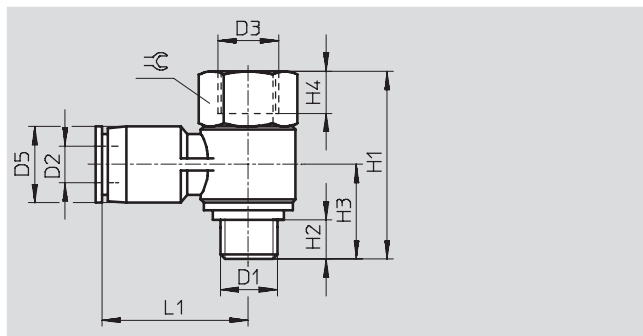
with male and female thread



R thread



G thread



Dimensions and ordering data														
Connection	Nominal size [mm]	Tubing O.D. D2	D3 Ø	D5 Ø	H1	H2	H3	H4	L1	⌀	Weight/ piece [g]	Part No.	Type	PU*
R thread														
R $\frac{1}{8}$	2.5	4	G $\frac{1}{8}$	10	32.5	8	28.5	7	22.2	14	22	153182	QSTF- $\frac{1}{8}$ -4-B	1
	3.3	6	G $\frac{1}{8}$	12.5	32.5	8	28.5	7	24.2	14	23	153183	QSTF- $\frac{1}{8}$ -6-B	1
	3.6	8	G $\frac{1}{8}$	14.5	32.5	8	28.5	7	26.2	14	25	153185	QSTF- $\frac{1}{8}$ -8-B	1
R $\frac{1}{4}$	3.6	6	G $\frac{1}{4}$	12.5	38.5	11	32.5	9	26.8	17	37	153184	QSTF- $\frac{1}{4}$ -6-B	1
	4.4	8	G $\frac{1}{4}$	14.5	38.5	11	32.5	9	28.2	17	39	153186	QSTF- $\frac{1}{4}$ -8-B	1
	4.4	10	G $\frac{1}{4}$	18	38.5	11	32.5	9	30.5	17	42	153188	QSTF- $\frac{1}{4}$ -10-B	1
R $\frac{3}{8}$	4.9	8	G $\frac{3}{8}$	14.5	44.5	12	38.2	11	30.2	21	61	153187	QSTF- $\frac{3}{8}$ -8-B	1
	5.6	10	G $\frac{3}{8}$	18	44.5	12	38.2	11	32.5	21	64	153189	QSTF- $\frac{3}{8}$ -10-B	1
	6	12	G $\frac{3}{8}$	21	44.5	12	38.2	11	35.2	21	67	153190	QSTF- $\frac{3}{8}$ -12-B	1
R $\frac{1}{2}$	7.4	12	G $\frac{1}{2}$	21	52.2	13	44	14	38.2	24	101	153191	QSTF- $\frac{1}{2}$ -12-B	1
G thread with sealing ring														
G $\frac{1}{8}$	2.4	4	G $\frac{1}{8}$	10	26	5.1	13.8	7	23.4	14	20	186199	QSTF-G $\frac{1}{8}$ -4	1
	3.2	6	G $\frac{1}{8}$	12.4	26	5.1	14.1	7	25.5	14	21	186200	QSTF-G $\frac{1}{8}$ -6	1
	3.7	8	G $\frac{1}{8}$	14.4	26	5.1	15.1	7	28.4	14	23	186202	QSTF-G $\frac{1}{8}$ -8	1
G $\frac{1}{4}$	3.7	6	G $\frac{1}{4}$	12.4	33.2	5.6	16	9	29	19	43	186201	QSTF-G $\frac{1}{4}$ -6	1
	4.4	8	G $\frac{1}{4}$	14.4	33.2	5.6	16	9	28.9	19	44	186203	QSTF-G $\frac{1}{4}$ -8	1
	4.9	10	G $\frac{1}{4}$	17.6	33.2	5.6	17.3	9	31.2	19	47	186205	QSTF-G $\frac{1}{4}$ -10	1
G $\frac{3}{8}$	4.9	8	G $\frac{3}{8}$	14.4	38.1	6.6	19.2	10.5	31	24	71	186204	QSTF-G $\frac{3}{8}$ -8	1
	5.8	10	G $\frac{3}{8}$	17.6	38.1	6.6	19.2	10.5	33.6	24	74	186206	QSTF-G $\frac{3}{8}$ -10	1
	6	12	G $\frac{3}{8}$	21	38.1	6.6	20.9	10.5	36.4	24	77	186207	QSTF-G $\frac{3}{8}$ -12	1
G $\frac{1}{2}$	7	12	G $\frac{1}{2}$	21	42.8	7.6	21.9	13	37.9	27	99	186208	QSTF-G $\frac{1}{2}$ -12	1

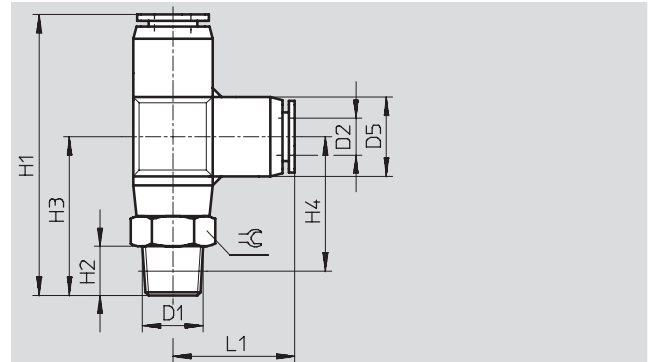
* Packaging unit quantity

Push-in fittings QS, Quick Star

Technical data

Push-in T-fitting QSTL

360° rotatable
Male thread
with external hex



Dimensions and ordering data														
Connection	Nominal size	Tubing O.D.	D5 ∅	H1	H2	H3	H4	L1	⊕	Weight/ piece [g]	Part No.	Type	PU*	
D1	[mm]	D2												
R thread														
R $\frac{1}{8}$	2.6	4	10	41.5	8	24.5	20.5	17	10	14.5	153117	QSTL- $\frac{1}{8}$ -4	10	
											130824	QSTL- $\frac{1}{8}$ -4-100	100	
	4	6	13	46	8	26	22	20	12	17	153118	QSTL- $\frac{1}{8}$ -6	10	
												130825	QSTL- $\frac{1}{8}$ -6-100	100
	5	8	15	50.5	8	28.5	24	22	14	22.5	153120	QSTL- $\frac{1}{8}$ -8	10	
												130826	QSTL- $\frac{1}{8}$ -8-50	50
R $\frac{1}{4}$	4	6	13	49	11	29	23	20	14	26	153119	QSTL- $\frac{1}{4}$ -6	10	
											130827	QSTL- $\frac{1}{4}$ -6-100	100	
	5	8	15	53.5	11	31.5	25	22	14	28.5	153121	QSTL- $\frac{1}{4}$ -8	10	
												130828	QSTL- $\frac{1}{4}$ -8-50	50
	6.7	10	17.5	61.5	11	36	30	25.5	17	41.5	153123	QSTL- $\frac{1}{4}$ -10	10	
												130829	QSTL- $\frac{1}{4}$ -10-50	50
R $\frac{3}{8}$	5	8	15	55	12	33	26.5	22	17	41	153122	QSTL- $\frac{3}{8}$ -8	10	
	6.7	10	17.5	62.5	12	37	30.5	25.5	17	50.5	153124	QSTL- $\frac{3}{8}$ -10	10	
	8.7	12	21	67	12	39	32.5	28	21	62.5	153125	QSTL- $\frac{3}{8}$ -12	10	
R $\frac{1}{2}$	8.7	12	21	70	15	42	34	28	21	77.5	153126	QSTL- $\frac{1}{2}$ -12	1	
	10.9	16	25	84.5	15	51	41	33.5	22	99	153127	QSTL- $\frac{1}{2}$ -16	1	

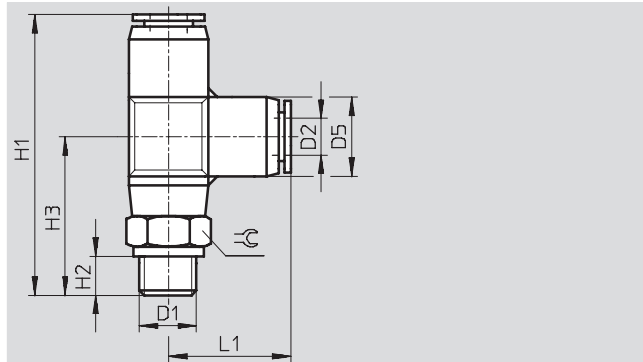
* Packaging unit quantity








Push-in fittings QS, Quick Star

Technical data

Push-in T-fitting QSTL

360° rotatable
Male thread
with external hex



Dimensions and ordering data													
Connection	Nominal size	Tubing O.D.	D5	H1	H2	H3	L1		Weight/ piece	Part No.	Type	PU*	
D1	[mm]	D2	∅						[g]				
G thread with sealing ring													
G ¹ / ₈	2.6	4	10	40.2	5.1	23.3	16.9	13	16	186168	QSTL-G ¹ / ₈ -4	10	
	4	6	13	45.2	5.1	25	20.2	13	18	132075	QSTL-G ¹ / ₈ -4-100	 New	100
										132076	QSTL-G ¹ / ₈ -6-100	 New	100
	5	8	15	49.4	5.1	27.2	22.2	14	23	186171	QSTL-G ¹ / ₈ -8	10	
										132077	QSTL-G ¹ / ₈ -8-50	 New	50
	G ¹ / ₄	4	6	13	46.7	5.6	26.5	20.2	17	27	186170	QSTL-G ¹ / ₄ -6	10
132078											QSTL-G ¹ / ₄ -6-100	 New	100
5		8	15	50.9	5.6	28.7	22.2	17	31	186172	QSTL-G ¹ / ₄ -8	10	
										132079	QSTL-G ¹ / ₄ -8-50	 New	50
6.7		10	17.5	57.7	5.6	32.5	25.2	17	39	186174	QSTL-G ¹ / ₄ -10	10	
										132080	QSTL-G ¹ / ₄ -10-50	 New	50
G ³ / ₈	5	8	15	52.4	6.6	30.2	22.2	19	44	186173	QSTL-G ³ / ₈ -8	10	
	6.7	10	17.5	59.2	6.6	34	25.2	19	49	186175	QSTL-G ³ / ₈ -10	10	
	8.7	12	21	64.6	6.6	36.2	28.2	21	56	186176	QSTL-G ³ / ₈ -12	10	
G ¹ / ₂	8.7	12	21	67.6	7.6	39.2	28.2	24	81	186177	QSTL-G ¹ / ₂ -12	1	
	10.9	16	25	79.1	7.6	46	33.1	24	96	186178	QSTL-G ¹ / ₂ -16	1	

* Packaging unit quantity

Push-in fittings QS, Quick Star

Technical data

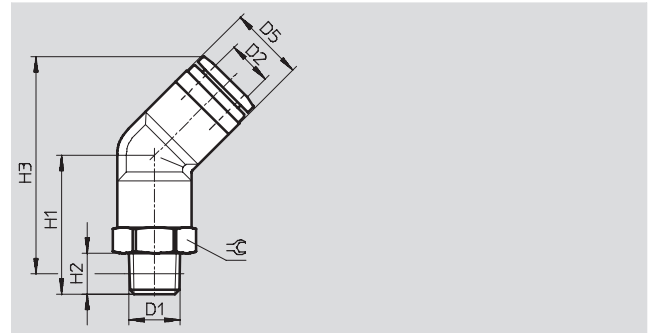
Push-in angled fitting QSW

360° rotatable

Male thread



R thread

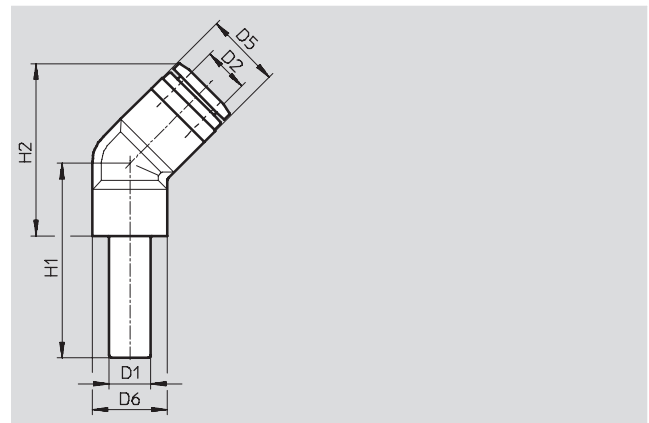


Dimensions and ordering data											
Connection	Nominal size	Tubing O.D.	D5	H1	H2	H3	⌀	Weight/ piece	Part No.	Type	PU*
D1	mm]	D2						[g]			
R thread											
R $\frac{1}{8}$	2.5	4	8	14.8	8	23	10	6.1	130596	QSW- $\frac{1}{8}$ -4	10
	3.3	6	10.5	16.4	8	25.3	10	6.8	130597	QSW- $\frac{1}{8}$ -6	10
	5.3	8	14.5	27	8	42.2	14	18	130598	QSW- $\frac{1}{8}$ -8	10
R $\frac{1}{4}$	3.3	6	10.5	21.4	11	28.2	14	17.9	130599	QSW- $\frac{1}{4}$ -6	10
	5.3	8	14.5	30	11	43.2	14	24	130600	QSW- $\frac{1}{4}$ -8	10
	7	10	17.5	34.2	11	50.6	17	34	130601	QSW- $\frac{1}{4}$ -10	10
R $\frac{3}{8}$	7	10	17.5	35.2	12	51.3	17	42	130602	QSW- $\frac{3}{8}$ -10	10
	7.5	12	21	39	12	60	21	66	130603	QSW- $\frac{3}{8}$ -12	10
R $\frac{1}{2}$	7.5	12	21	42	15	61.2	21	80	130604	QSW- $\frac{1}{2}$ -12	1
	10.7	16	25	47	15	67.6	22	83	130605	QSW- $\frac{1}{2}$ -16	1

* Packaging unit quantity

Push-in angled connector QSW-...HL

with push-in sleeve



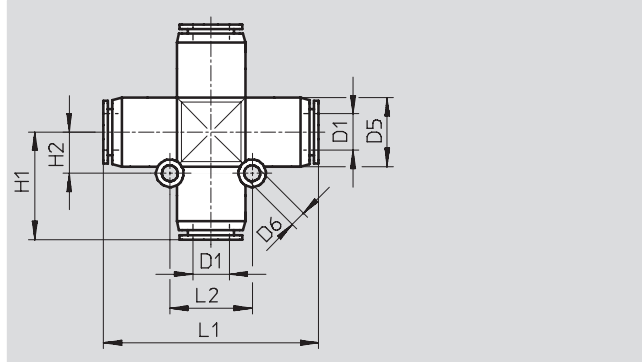
Dimensions and ordering data											
Push-in sleeve ⌀	Nominal size	Tubing O.D.	D5	D6	H1	H2	Weight/ piece	Part No.	Type	PU*	
D1	mm]	D2					[g]				
4	2	4	8	8	21.8	15	1.4	130617	QSW-4HL	10	
6	2.7	6	10.5	8	24.6	17.3	2.1	130618	QSW-6HL	10	
8	5	8	14.5	14.5	37.5	33.2	7.8	130619	QSW-8HL	10	
10	6	10	17.5	17.5	42.2	39.7	13	130620	QSW-10HL	10	
12	7	12	21	21	49.5	48.4	20	130621	QSW-12HL	10	

* Packaging unit quantity

Push-in fittings QS, Quick Star

Technical data

Push-in X-connector QSX



Dimensions and ordering data											
Tubing O.D.	Nominal size	D5	D6	H1	H2	L1	L2	Weight/ piece	Part No.	Type	PU*
D1	[mm]	∅	∅					[g]			
8	4.7	15	3.5	23.5	9	47	18	20	153285	QSX-8	10
10	6.1	17.5	4.5	27.5	11	55	22	32	153286	QSX-10	10
12	7.5	21	4.5	31	12	62	24	46	153287	QSX-12	10

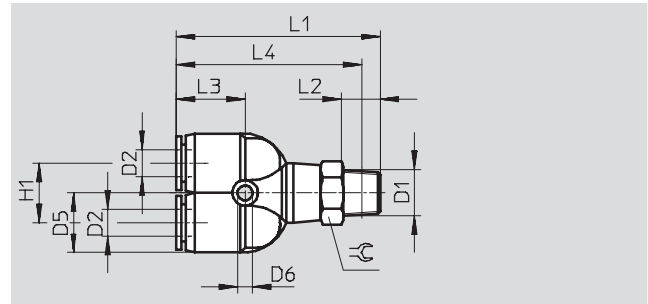
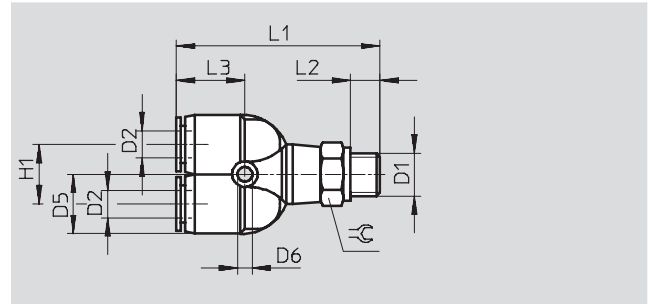
* Packaging unit quantity

Push-in fittings QS, Quick Star

Technical data

Push-in Y-fitting QSY

360° rotatable
Male thread
with external hex



Dimensions and ordering data														
Connection	Nominal size [mm]	Tubing O.D.	D5 ∅	D6 ∅	H1	L1	L2	L3	L4	⊖	Weight/ piece [g]	Part No.	Type	PU*
D1		D2												
Metric thread with sealing ring														
M5	1.4	4	10	3.4	11	38.1	3.5	14.1	-	10	12	190673	QSY-M5-4	10
	1.4	6	12.5	3.2	12	41.9	3.5	15.8	-	12	16	190674	QSY-M5-6	10
R thread														
R $\frac{1}{8}$	2.3	4	10	3.4	11	41	8	14.5	38	10	15	153138	QSY- $\frac{1}{8}$ -4	10
	3.6	6	13	3.2	12	44.5	8	16	40.5	12	18	153139	QSY- $\frac{1}{8}$ -6	10
	4.6	8	15	3.2	14	49	8	17.5	45	14	23.5	153141	QSY- $\frac{1}{8}$ -8	10
R $\frac{1}{4}$	2.3	4	10	3.4	11	43.6	11	14.1	37.6	14	23	190675	QSY- $\frac{1}{4}$ -4	10
	3.6	6	13	3.2	12	47.5	11	16	41.5	14	25	153140	QSY- $\frac{1}{4}$ -6	10
	4.6	8	15	3.2	14	52	11	17.5	46	14	29.5	153142	QSY- $\frac{1}{4}$ -8	10
	6.2	10	18	4.5	18	58.5	11	20	52.5	17	43	153144	QSY- $\frac{1}{4}$ -10	10
R $\frac{3}{8}$	4.6	8	15	3.2	14	53.5	12	17.5	47	17	42.5	153143	QSY- $\frac{3}{8}$ -8	10
	6.2	10	18	4.5	18	59.5	12	20	53	17	51.5	153145	QSY- $\frac{3}{8}$ -10	10
	6.9	12	21	4.5	20	64.5	12	22.5	58	21	64.5	153146	QSY- $\frac{3}{8}$ -12	10
R $\frac{1}{2}$	6.9	12	21	4.5	20	67.5	15	22.5	59.5	21	79.5	153147	QSY- $\frac{1}{2}$ -12	10

* Packaging unit quantity

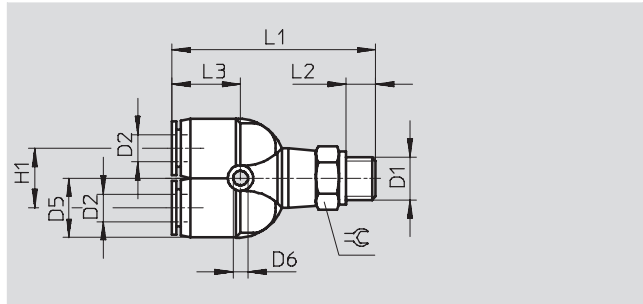
Push-in fittings QS, Quick Star

Technical data

FESTO

Push-in Y-fitting QSY

360° rotatable
Male thread
with external hex



Dimensions and ordering data													
Connection	Nominal size	Tubing O.D.	D5	D6	H1	L1	L2	L3	⌀	Weight/ piece [g]	Part No.	Type	PU*
D1	[mm]	D2	∅	∅									
G thread with sealing ring													
G ¹ / ₈	2.3	4	10	3.4	11	40.6	5.1	14.1	13	17	186179	QSY-G¹/₈-4	10
	3.6	6	12.5	3.2	12	43.4	5.1	15.8	13	18	186180	QSY-G¹/₈-6	10
	4.6	8	14.5	3.2	14	47.7	5.1	17.2	14	23	186182	QSY-G¹/₈-8	10
G ¹ / ₄	3.6	6	12.5	3.2	12	44.9	5.6	15.8	17	28	186181	QSY-G¹/₄-6	10
	4.6	8	14.5	3.2	14	49.2	5.6	17.2	17	31	186183	QSY-G¹/₄-8	10
	6.2	10	18	4.5	18	54.8	5.6	19.5	17	41	186185	QSY-G¹/₄-10	10
G ³ / ₈	4.6	8	14.5	3.2	14	50.7	6.6	17.2	19	44	186184	QSY-G³/₈-8	10
	6.2	10	18	4.5	18	56.3	6.6	19.5	19	51	186186	QSY-G³/₈-10	10
	6.9	12	21	4.2	20	61.5	6.6	22.2	21	58	186187	QSY-G³/₈-12	10
G ¹ / ₂	6.9	12	21	4.2	20	64.5	7.6	22.2	24	84	186188	QSY-G¹/₂-12	1

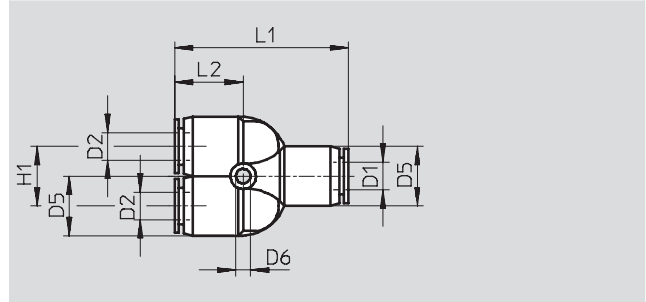
* Packaging unit quantity

Push-in fittings QS, Quick Star

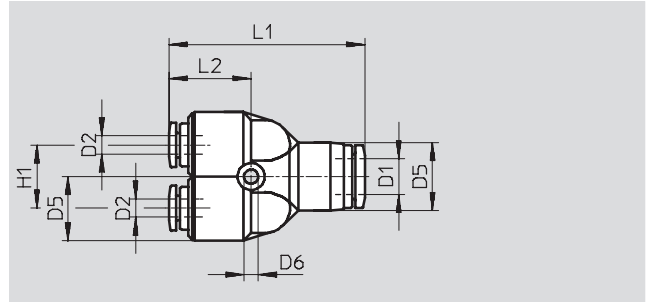
Technical data

FESTO

Push-in Y-connector QSY



2 reducing outlets



Reducing

Dimensions and ordering data											
Tubing O.D.	Nominal size	Tubing O.D.	D5	D6	H1	L1	L2	Weight/ piece	Part No.	Type	PU*
D1	[mm]	D2	∅	∅				[g]			
4	2.3	4	10	3.4	11	32.8	14.1	7.6	153148	QSY-4	10
									130807	QSY-4-100	100
6	3.6	6	12.5	3.4	12	37.7	15.8	11	153149	QSY-6	10
									130808	QSY-6-100	100
8	4.6	8	14.5	3.2	14	42.4	17.2	16	153150	QSY-8	10
									130809	QSY-8-50	50
10	5.9	10	18	4.5	18	48.4	19.5	26	153151	QSY-10	10
									130810	QSY-10-20	20
12	7	12	21	4.2	20	54.8	22.2	37	153152	QSY-12	10
									130811	QSY-12-20	20
16	8.5	16	25	4.5	24	62.2	22.1	45	130609	QSY-16	1
Reducing											
6	2.3	4	13	3.2	12	37.5	15	10.5	153153	QSY-6-4	10
									130812	QSY-6-4-100	100
8	2.1	4	15	3.2	14	43.3	18.2	17	130610	QSY-8-4	10
									153154	QSY-8-6	10
										130813	QSY-8-6-50
10	3.6	6	18	4.5	18	50.2	21.3	27	130611	QSY-10-6	10
									153155	QSY-10-8	10
										130814	QSY-10-8-20
12	5.4	8	21	4.2	20	56.4	23.8	40	130612	QSY-12-8	10
									153156	QSY-12-10	10
										130815	QSY-12-10-20
16	7.8	12	25	4.5	25	66.7	26.6	77	190708	QSY-16-12	1

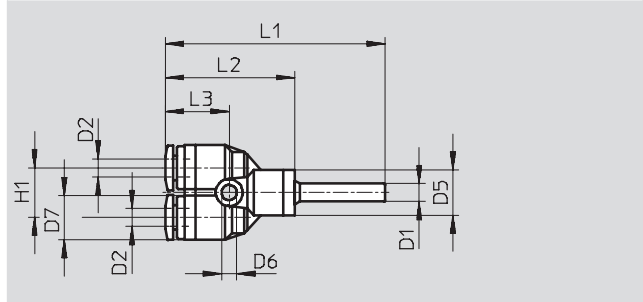
* Packaging unit quantity

Push-in fittings QS, Quick Star

Technical data

FESTO

Push-in Y-connector QSY-...H
with push-in sleeve



Dimensions and ordering data													
Push-in sleeve Ø	Nominal size	Tubing O.D.	D5	D6	D7	H1	L1	L2	L3	Weight/ piece	Part No.	Type	PU*
D1	[mm]	D2	Ø	Ø	Ø					[g]			
4	1.6	4	10	3.4	10	11	48.7	28.6	14.1	6.5	130628	QSY-4H	10
6	3.1	6	12.5	3.2	12.5	12	55.6	33	15.8	9.4	130629	QSY-6H	10
8	4.6	8	13	3.2	14.5	14	59.2	35.7	17.2	13	130630	QSY-8H	10
10	5.9	10	18	4.5	18	18	68.5	43.5	19.5	23	130631	QSY-10H	10
12	7.3	12	21.5	4.5	21	20	78.3	49.8	22.2	34	130632	QSY-12H	10
Reducing													
6	2.3	4	10	3.4	10	11	50.9	28.6	14.1	6.8	130633	QSY-6H-4	10
8	3.6	6	12.8	3.2	12.5	12	56.5	33	15.8	9.5	130634	QSY-8H-6	10
10	4.6	8	15	3.2	14.5	14	62.7	37.7	17.2	15	130635	QSY-10H-8	10
12	5.9	10	18	4.5	18	18	69.8	41.3	19.5	23	130636	QSY-12H-10	10

* Packaging unit quantity

Push-in fittings QS, Quick Star

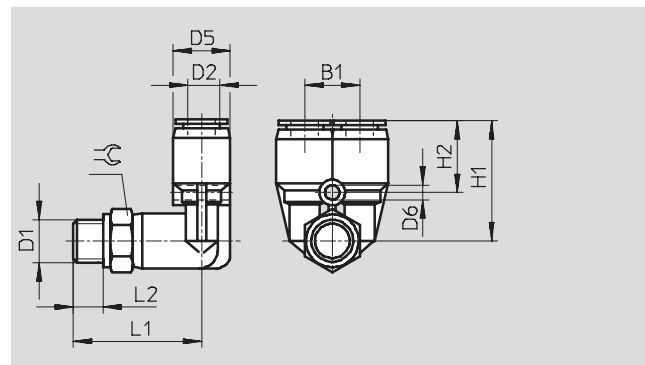
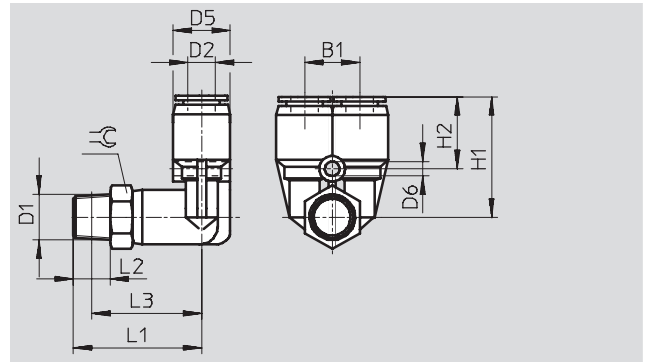
Technical data

FESTO

Push-in Y-fitting QSYL

360° rotatable

Male thread
with external hex



Dimensions and ordering data															
Connection	Nominal size [mm]	Tubing O.D. D2	B1	D5 ∅	D6 ∅	H1	H2	L1	L2	L3	⊕	Weight/ piece [g]	Part No.	Type	PU*
R thread															
R $\frac{1}{8}$	1.9	4	11	10	3.2	23	14.5	24.5	8	20.5	10	15.5	153172	QSYL- $\frac{1}{8}$ -4	1
	3	6	12	13	4.2	26.5	16	28	8	24	14	18.5	153173	QSYL- $\frac{1}{8}$ -6	1
	4.3	8	14	15	4.2	29.5	17	31	8	27	14	25	153175	QSYL- $\frac{1}{8}$ -8	1
R $\frac{1}{4}$	2.9	6	12	13	4.2	26.5	16	31	11	25	14	26.5	153174	QSYL- $\frac{1}{4}$ -6	1
	4.3	8	14	15	4.2	29.5	17	34	11	28	14	30.5	153176	QSYL- $\frac{1}{4}$ -8	1
	5.8	10	18	18	4.2	34	19	37	11	31	17	45	153178	QSYL- $\frac{1}{4}$ -10	1
R $\frac{3}{8}$	4.4	8	14	15	4.2	29.5	17	36	12	29.5	17	44	153177	QSYL- $\frac{3}{8}$ -8	1
	5.9	10	18	18	4.2	34	19	38	12	31.5	17	53.5	153179	QSYL- $\frac{3}{8}$ -10	1
	7.4	12	20	22	4.2	35.5	20.5	42	12	35.5	21	67	153180	QSYL- $\frac{3}{8}$ -12	1
R $\frac{1}{2}$	7.3	12	20	22	4.2	35.5	20.5	45	15	37	21	83	153181	QSYL- $\frac{1}{2}$ -12	1
G thread with sealing ring															
G $\frac{1}{8}$	1.9	4	11	10	3.2	22.7	14.2	24.7	5.1	-	13	17	186189	QSYL-G $\frac{1}{8}$ -4	1
	3	6	12	12.5	4.2	26.2	15.5	27	5.1	-	13	19	186190	QSYL-G $\frac{1}{8}$ -6	1
	4.3	8	14	14.5	4.2	29.4	16.9	30	5.1	-	14	25	186192	QSYL-G $\frac{1}{8}$ -8	1
G $\frac{1}{4}$	2.9	6	12	12.5	4.2	26.2	15.5	28.5	5.6	-	17	29	186191	QSYL-G $\frac{1}{4}$ -6	1
	4.3	8	14	14.5	4.2	29.4	16.9	31.5	5.6	-	17	33	186193	QSYL-G $\frac{1}{4}$ -8	1
	5.8	10	18	17.5	4.2	33.5	18.5	33.5	5.6	-	17	43	186195	QSYL-G $\frac{1}{4}$ -10	1
G $\frac{3}{8}$	4.4	8	14	14.5	4.2	29.4	16.9	33	6.6	-	19	46	186194	QSYL-G $\frac{3}{8}$ -8	1
	5.9	10	18	17.5	4.2	33.5	18.5	35	6.6	-	19	53	186196	QSYL-G $\frac{3}{8}$ -10	1
	7.4	12	20	21	4.2	35.2	20.4	39.2	6.6	-	21	61	186197	QSYL-G $\frac{3}{8}$ -12	1
G $\frac{1}{2}$	7.3	12	20	21	4.2	35.2	20.4	42.2	7.6	-	24	87	186198	QSYL-G $\frac{1}{2}$ -12	1

* Packaging unit quantity

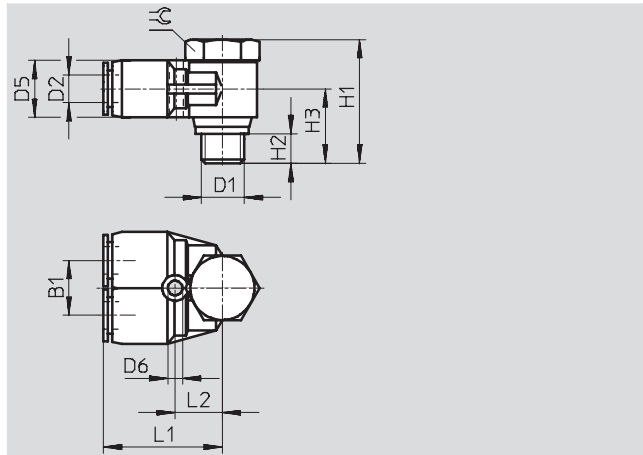
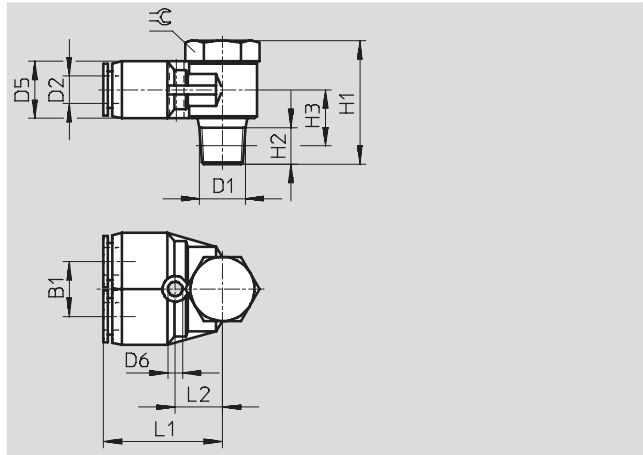
Push-in fittings QS, Quick Star

Technical data



Push-in Y-fitting QSYLV

360° rotatable
Male thread
with external hex



Dimensions and ordering data															
Connection	Nominal size [mm]	Tubing O.D. D2	B1	D5 Ø	D6 Ø	H1	H2	H3	L1	L2	≈	Weight/ piece [g]	Part No.	Type	PU*
R thread															
R $\frac{1}{8}$	3.3	6	12	12.5	3.2	27	8	11	26	10.5	14	24.5	153192	QSYLV- $\frac{1}{8}$ -6	1
R $\frac{1}{4}$	4.4	8	14	14.5	3.2	31.5	11	12.5	29	12.5	17	41.5	153193	QSYLV- $\frac{1}{4}$ -8	1
R $\frac{3}{8}$	5.7	10	17	17.5	4.2	36	12	14.5	33.5	15	21	69.5	153194	QSYLV- $\frac{3}{8}$ -10	1
R $\frac{1}{2}$	7.1	12	20	21	4.2	40	15	17.5	37.5	17	24	102	153195	QSYLV- $\frac{1}{2}$ -12	1
G thread with sealing ring															
G $\frac{1}{8}$	3.5	6	12	12.4	3.2	26.2	5.1	15.2	27.5	12	17	31	186209	QSYLV-G $\frac{1}{8}$ -6	1
G $\frac{1}{4}$	4.7	8	14	14.4	3.2	28.4	5.6	16.4	30.9	14	19	48	186210	QSYLV-G $\frac{1}{4}$ -8	1
G $\frac{3}{8}$	5.2	10	17	17.6	4.2	33.4	6.6	19.4	34	15.5	21	73	186211	QSYLV-G $\frac{3}{8}$ -10	1
G $\frac{1}{2}$	7	12	20	21	4.2	37.4	7.6	21.9	38.9	18.5	27	123	186212	QSYLV-G $\frac{1}{2}$ -12	1

* Packaging unit quantity

Push-in fittings QS, Quick Star

Technical data

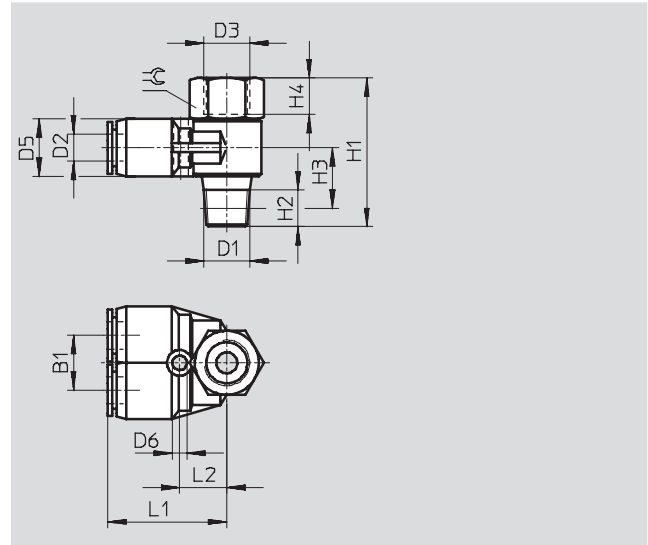
FESTO

Push-in Y-fitting QSYTF

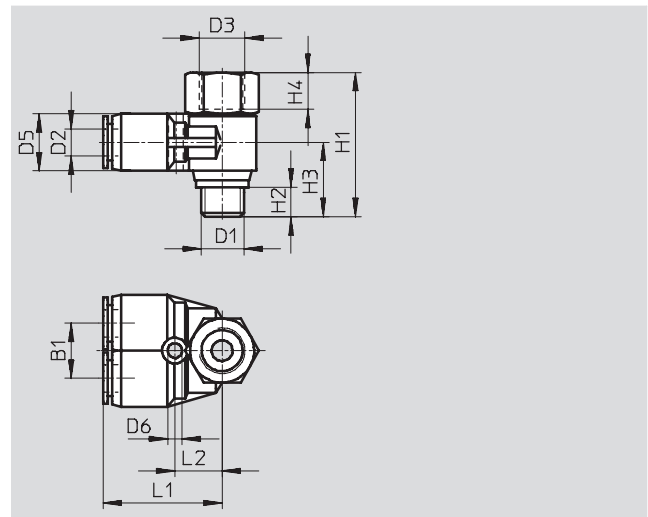
Male and female thread with external hex



R thread



G thread



Dimensions and ordering data																	
Connection	Nominal size [mm]	Tubing O.D.	B1	D3 ∅	D5 ∅	D6 ∅	H1	H2	H3	H4	L1	L2	⊖	Weight/ piece [g]	Part No.	Type	PU*
D1		D2															
R male thread and G thread female																	
R $\frac{1}{8}$	3.1	6	12	G $\frac{1}{8}$	12.4	3.2	32.5	8	12	7	26.2	10.7	14	27	153196	QSYTF- $\frac{1}{8}$ -6-B	1
R $\frac{1}{4}$	4.3	8	14	G $\frac{1}{4}$	14.4	3.2	38.5	11	13.5	9	29.1	12.5	17	43	153197	QSYTF- $\frac{1}{4}$ -8-B	1
R $\frac{3}{8}$	5.5	10	17	G $\frac{3}{8}$	17.6	4.2	44.5	12	15.7	11	33.5	15	21	72	153198	QSYTF- $\frac{3}{8}$ -10-B	1
R $\frac{1}{2}$	6.8	12	20	G $\frac{1}{2}$	21	4.2	52.2	13	16.5	14	37.4	17	24	109	153199	QSYTF- $\frac{1}{2}$ -12-B	1
G male thread with sealing ring																	
G $\frac{1}{8}$	3.1	6	12	G $\frac{1}{8}$	12.4	3.2	29.2	5.1	15.2	7	27.5	12	17	32	186213	QSYTF-G $\frac{1}{8}$ -6	1
G $\frac{1}{4}$	4.3	8	14	G $\frac{1}{4}$	14.4	3.2	32.9	5.6	16.4	9	30.9	14	19	47	186214	QSYTF-G $\frac{1}{4}$ -8	1
G $\frac{3}{8}$	5.5	10	17	G $\frac{3}{8}$	17.6	4.2	41.4	6.6	19.4	11	34	15.5	21	72	186215	QSYTF-G $\frac{3}{8}$ -10	1
G $\frac{1}{2}$	6.8	12	20	G $\frac{1}{2}$	21	4.2	47.4	7.6	21.9	14	38.9	18.5	27	127	186216	QSYTF-G $\frac{1}{2}$ -12	1

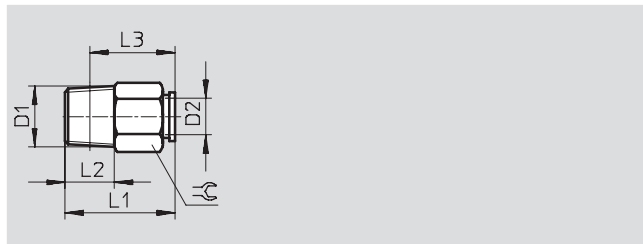
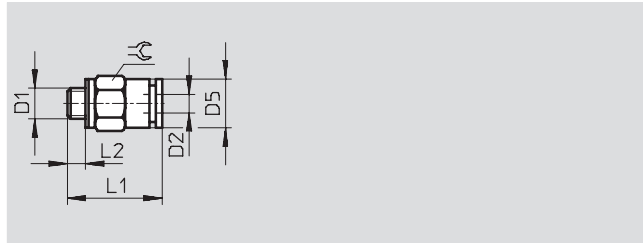
* Packaging unit quantity





Push-in fittings QSM-B, Quick Star, mini

Technical data

Push-in fitting QSM-B

Male thread
with external hex



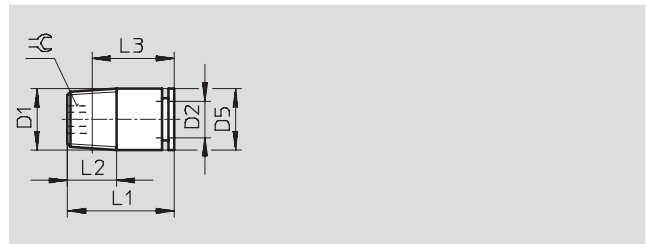
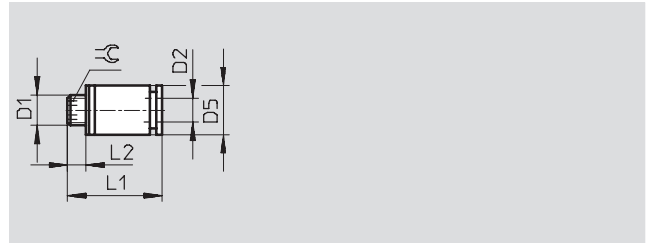
Dimensions and ordering data													
Connection	Nominal size	Tubing O.D.	D5	L1	L2	L3	$\approx \text{C}$	Weight/ piece	Part No.	Type			PU*
D1	[mm]	D2	\varnothing					[g]					
Metric thread with sealing ring													
M3	0.9	3	6.0	13.3	2.5	-	5.5	1.1	132102	QSM-B-M3-3-20	 New		20
	1.1	4	7.8	15.7	2.5	-	8	2.4	130894	QSM-B-M3-4-20			20
M5	2.0	3	7.8	16.2	3	-	8	3.5	132103	QSM-B-M5-3-20	 New		20
	2.2	4	7.8	16.2	3	-	8	3.2	130895	QSM-B-M5-4-20			20
	2.1	6	9.8	17.3	3	-	10	4.5	130896	QSM-B-M5-6-20			20
R thread													
R $\frac{1}{8}$	2.9	4	7.8	16.2	8	12.3	10	6	132104	QSM-B- $\frac{1}{8}$ -4-20	 New		20
	4.5	6	9.8	17.9	8	14	10	6	132105	QSM-B- $\frac{1}{8}$ -6-20	 New		20

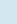




* Packaging unit quantity

Push-in fittings QSM-B, Quick Star, mini

Technical data

Push-in fitting QSM-B-...-I

 Male thread
with internal hex


Dimensions and ordering data												
Connection	Nominal size	Tubing O.D.	D5	L1	L2	L3		Weight/ piece	Part No.	Type		PU*
D1	[mm]	D2	∅					[g]				
Metric thread with sealing ring												
M3	1.6	3	8	15.7	2.5	–	1.5	2.3	132116	QSM-B-M3-3-I-20	 New	20
	1.5	4	8	15.7	2.5	–	1.5	2.2	130909	QSM-B-M3-4-I-20		20
M5	1.9	3	8	16.2	3.0	–	2.0	3.3	132117	QSM-B-M5-3-I-20	 New	20
	2.5	4	8	16.2	3.0	–	2.5	3	130910	QSM-B-M5-4-I-20		20
	2.6	6	9.8	17.8	3.0	–	2.5	4.4	130911	QSM-B-M5-6-I-20		20
M7	2.3	4	9.8	18.9	5.5	–	3.0	6	130912	QSM-B-M7-4-I-20		20
	2.9	6	9.8	20.9	5.5	–	4.0	6.4	130913	QSM-B-M7-6-I-20		20
R thread												
R $\frac{1}{8}$	3.1	4	10	16.4	8.0	12.5	3.0	6	132118	QSM-B- $\frac{1}{8}$ -4-I-20	 New	20
	4.1	6	10	18.2	8.0	14.3	4.0	6	132119	QSM-B- $\frac{1}{8}$ -6-I-20	 New	20

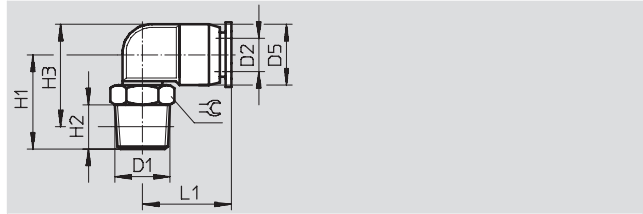
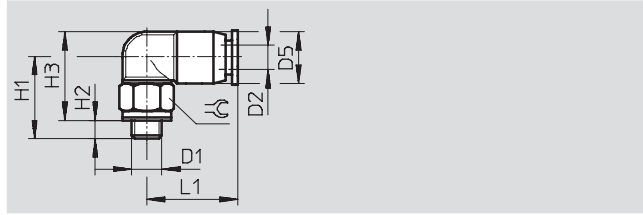
* Packaging unit quantity








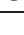


Push-in fittings QSM-B, Quick Star, mini

Technical data

Push-in L-fitting QSML-B

360° rotatable
Male thread
with external hex



Dimensions and ordering data													
Connection	Nominal size	Tubing O.D.	D5	H1	H2	H3	L1		Weight/ piece	Part No.	Type	PU*	
D1	[mm]	D2	∅						[g]				
Metric thread with sealing ring													
M3	0.8	3	6	12	3.3	12.5	11	5.5	1.5	132106	QSML-B-M3-3-20	 New	20
	1.3	4	8	14	2.5	15.5	15.7	8	3	130899	QSML-B-M3-4-20	 New	20
M5	1.5	3	6	13.5	3.5	13.5	11	8	2.8	132107	QSML-B-M5-3-20	 New	20
	1.7	4	8	13.5	3	14.5	15.7	8	3.4	130900	QSML-B-M5-4-20	 New	20
	2.1	6	10.5	14.5	3	16.8	16.3	8	4.1	130901	QSML-B-M5-6-20	 New	20
M7	2.0	4	8	17	5.5	15.5	15.7	10	5.6	132108	QSML-B-M7-4-20	 New	20
	2.4	6	10.5	18	5.5	17.5	16.3	10	6.2	132109	QSML-B-M7-6-20	 New	20
R thread													
R $\frac{1}{8}$	2.5	4	8	16	8	16.3	15.7	10	6	132110	QSML-B- $\frac{1}{8}$ -4-20	 New	20
	3.3	6	10.5	17	8	18.8	16.3	10	7	132111	QSML-B- $\frac{1}{8}$ -6-20	 New	20

* Packaging unit quantity

Push-in fittings QSM-B, Quick Star, mini

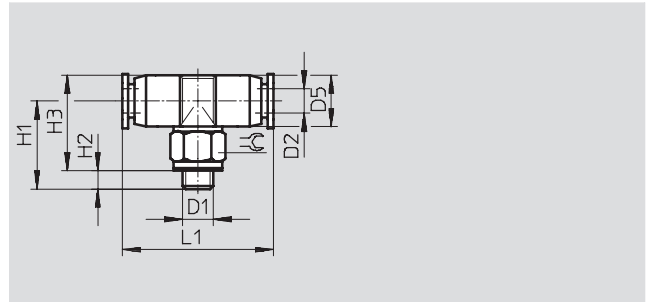
Technical data

Push-in T-fitting QSMT-B

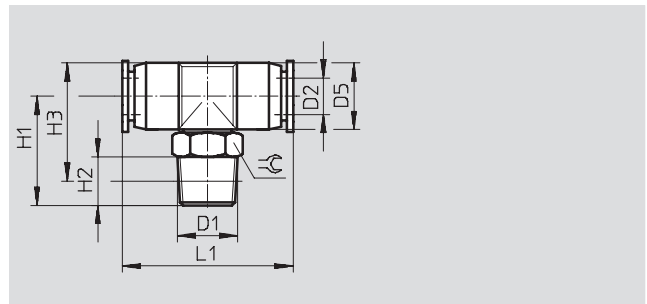
360° rotatable








 Male thread
with external hex


M thread



R thread



Dimensions and ordering data													
Connection	Nominal size	Tubing O.D.	D5	H1	H2	H3	L1	\approx	Weight/ piece	Part No.	Type	PU*	
D1	[mm]	D2	\varnothing						[g]				
Metric thread with sealing ring													
M3	0.9	3	6	12	3.3	12.5	22	5.5	2	132112	QSMT-B-M3-3-20	 New	20
	1.3	4	8	15	2.5	15.5	26.2	8	3.9	130904	QSMT-B-M3-4-20	 New	20
M5	1.6	3	6	13.5	3	13.5	22	8	3.3	132113	QSMT-B-M5-3-20	 New	20
	2.2	4	8	14.5	3	14.5	26.2	8	4.3	130905	QSMT-B-M5-4-20	 New	20
	2.1	6	10.5	15.5	3	17.8	28.4	8	5.6	130906	QSMT-B-M5-6-20	 New	20
R thread													
R $\frac{1}{8}$	2.4	4	8	17	8	17.1	26.2	10	7	132114	QSMT-B- $\frac{1}{8}$ -4-20	 New	20
	3.3	6	10.5	18	8	19.3	28.4	10	8	132115	QSMT-B- $\frac{1}{8}$ -6-20	 New	20

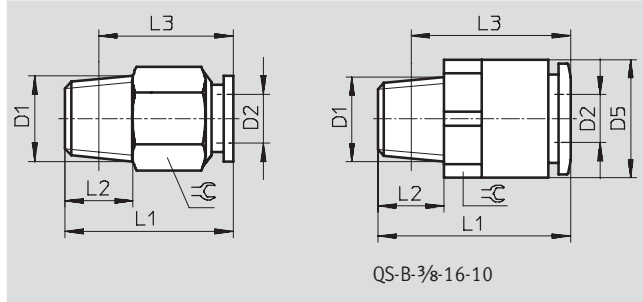
* Packaging unit quantity






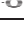

Push-in fittings QS-B, Quick Star

Technical data

Push-in fitting QS-B

Male thread
with external hex



Dimensions and ordering data											
Connection	Nominal size	Tubing O.D.	D5	L1	L2	L3		Weight/ piece [g]	Part No.	Type	PU*
D1	[mm]	D2									
R thread											
R $\frac{1}{8}$	2.6	4	–	21	8	17	10	8.3	130914	QS-B- $\frac{1}{8}$ -4-20	20
	4	6	–	22.6	8	18.6	12	9.3	130915	QS-B- $\frac{1}{8}$ -6-20	20
	5	8	–	27.9	8	23.9	14	16	130916	QS-B- $\frac{1}{8}$ -8-20	20
	5.4	10	–	30.3	8	26.4	17	22.5	132120	QS-B-x-10-20  New	20
R $\frac{1}{4}$	2.6	4	–	21	11	15	14	16	130917	QS-B- $\frac{1}{4}$ -4-20	20
	4	6	–	24.6	11	18.5	14	18	130918	QS-B- $\frac{1}{4}$ -6-20	20
	5	8	–	26.6	11	20.6	14	16	130919	QS-B- $\frac{1}{4}$ -8-20	20
	6.7	10	–	29.8	11	23.8	17	20	132121	QS-B- $\frac{1}{4}$ -10-20  New	20
	8.7	12	–	35.9	11	29.9	21	43.7	132122	QS-B- $\frac{1}{4}$ -12-20  New	20
R $\frac{3}{8}$	4	6	–	23.6	12	17.2	17	28	130920	QS-B- $\frac{3}{8}$ -6-10	10
	5	8	–	23.9	12	17.6	17	24	130921	QS-B- $\frac{3}{8}$ -8-10	10
	6.7	10	–	29.3	12	23	17	27	130922	QS-B- $\frac{3}{8}$ -10-10	10
	8.7	12	–	31.9	12	25.6	21	35.5	132123	QS-B- $\frac{3}{8}$ -12-10  New	10
	10.3	16	23.8	41.9	12	34.8	22	59.5	132124	QS-B- $\frac{3}{8}$ -16-10  New	10
R $\frac{1}{2}$	6.7	10	–	30.3	15	22.1	21	50	130924	QS-B- $\frac{1}{2}$ -10-10	10
	8.7	12	–	33.9	15	25.7	21	50	130925	QS-B- $\frac{1}{2}$ -12-10	10
	12	16	–	41.3	15	33.2	24	67	132125	QS-B- $\frac{1}{2}$ -16-10  New	10

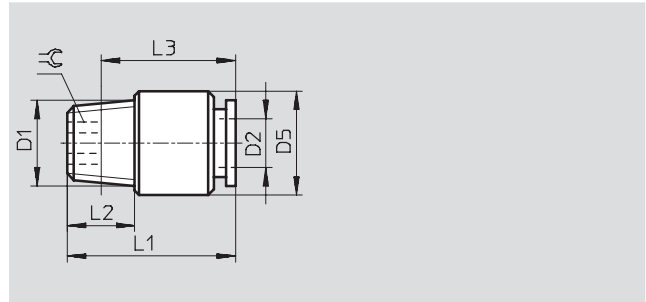
* Packaging unit quantity

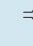


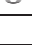
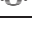
Push-in fittings QS-B, Quick Star

Technical data

Push-in fitting QS-B-...-I

Male thread
with internal hex



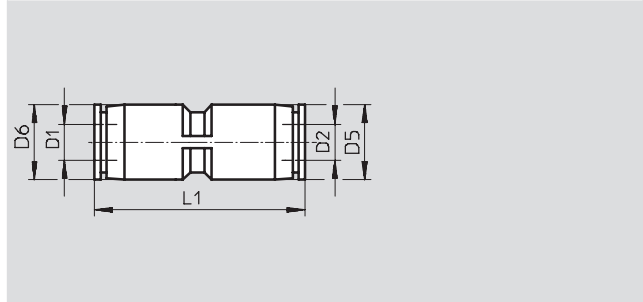
Dimensions and ordering data											
Connection	Nominal size	Tubing O.D.	D5 ∅	L1	L2	L3		Weight/ piece [g]	Part No.	Type	PU*
D1	[mm]	D2									
R thread											
R $\frac{1}{8}$	2.1	4	9.7	21	8	17	2.5	7.6	130990	QS-B- $\frac{1}{8}$ -4-I-20	20
	3.7	6	11.8	22.6	8	18.6	4	8.1	130991	QS-B- $\frac{1}{8}$ -6-I-20	20
	4.7	8	13.7	27.9	8	23.9	5	14	130992	QS-B- $\frac{1}{8}$ -8-I-20	20
	5	10	17.7	30.3	8	26.4	5	25	132151	QS-B- $\frac{1}{8}$ -10-I-20	 New 20
R $\frac{1}{4}$	3.7	6	14	22.6	11	16.5	4	15	130994	QS-B- $\frac{1}{4}$ -6-I-20	20
	5	8	14	26.6	11	20.6	6	15	130995	QS-B- $\frac{1}{4}$ -8-I-20	20
	5	10	17.7	29.8	11	23.8	7	22	132152	QS-B- $\frac{1}{4}$ -10-I-20	 New 20
	6.8	12	20.8	35.9	11	29.9	6	40	132153	QS-B- $\frac{1}{4}$ -12-I-20	 New 20
R $\frac{3}{8}$	5	8	16.8	23.9	12	17.6	6	23	130997	QS-B- $\frac{3}{8}$ -8-I-10	10
	5	10	17.8	29.3	12	23	6	28	130998	QS-B- $\frac{3}{8}$ -10-I-10	10
	7.1	12	20.8	31.9	12	25.6	8	33.5	132154	QS-B- $\frac{3}{8}$ -12-I-10	 New 10
R $\frac{1}{2}$	5	10	20.8	30.3	15	22.1	6	49	132000	QS-B- $\frac{1}{2}$ -10-I-10	10
	7.1	12	20.8	33.9	15	25.7	8	49	132001	QS-B- $\frac{1}{2}$ -12-I-10	10





* Packaging unit quantity

Push-in fittings QS-B, Quick Star

Technical data

Push-in connector QS-B



Dimensions and ordering data									
Tubing O.D.	Nominal size	Tubing O.D.	D5	D6	L1	Weight/ piece	Part No.	Type	PU*
D1	[mm]	D2	∅			[g]			
4	2.6	4	10	–	30.8	4.7	130964	QS-B-4-20	20
6	4	6	12.5	–	34.9	6.5	130965	QS-B-6-20	20
8	5	8	14.5	–	37.8	9.4	130966	QS-B-8-20	20
10	6.7	10	17.5	–	43.4	16	130967	QS-B-10-10	10
12	8.7	12	21	–	47.8	22	130968	QS-B-12-10	10
16	13.7	16	25	–	49.4	25	132144	QS-B-16-10	 New 10
Reducing									
6	2.6	4	12.5	12.5	34.4	6.4	130969	QS-B-6-4-20	20
8	2.3	4	10.7	14.5	38.8	7.2	132145	QS-B-8-4-20	 New 20
	4	6	14.5	14.5	37.9	8.8	130970	QS-B-8-6-20	20
10	3.7	6	13	17.5	39.8	12	132146	QS-B-10-6-20	 New 20
	5	8	17.5	17.5	43.1	14	130971	QS-B-10-8-20	20
12	5.2	8	14.5	21	44	16	132147	QS-B-12-8-10	 New 10
	6.7	10	21	21	47.6	21	130972	QS-B-12-10-10	10

* Packaging unit quantity

Push-in fittings QS-B, Quick Star

Technical data

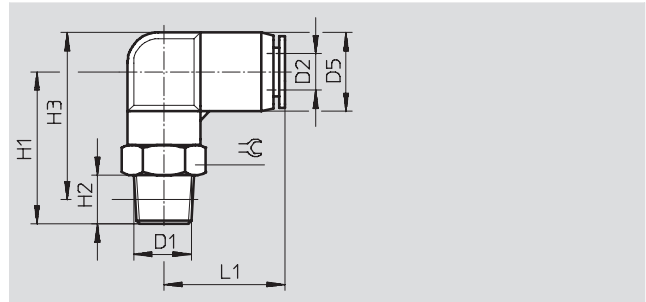
Push-in L-fitting QSL-B



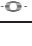
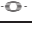
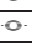
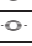

360° rotatable

Male thread
with external hex



R thread



Dimensions and ordering data												
Connection	Nominal size	Tubing O.D.	D5 Ø	H1	H2	H3	L1		Weight/ piece [g]	Part No.	Type	PU*
D1	[mm]	D2										
R thread												
R $\frac{1}{8}$	2.2	4	10	18.9	8	19.9	16.8	10	6.9	130926	QSL-B- $\frac{1}{8}$ -4-20	20
	3.2	6	12.5	19.5	8	21.8	19.7	10	7.8	130927	QSL-B- $\frac{1}{8}$ -6-20	20
	4.6	8	14.5	24.2	8	27.5	21.9	12	12	130928	QSL-B- $\frac{1}{8}$ -8-20	20
	4.5	10	17.5	26.1	8	30.9	25	12	16	132126	QSL-B- $\frac{1}{8}$ -10-20	 New 20
R $\frac{1}{4}$	2.2	4	10	24.4	11	23.4	16.8	14	14	130929	QSL-B- $\frac{1}{4}$ -4-20	20
	3.4	6	12.5	26	11	26.2	19.7	14	15	130930	QSL-B- $\frac{1}{4}$ -6-20	20
	4.8	8	14.5	27.2	11	28.4	21.9	14	16	130931	QSL-B- $\frac{1}{4}$ -8-20	20
	6.0	10	17.5	28.1	11	30.8	25	14	20	132127	QSL-B- $\frac{1}{4}$ -10-20	 New 20
	5.8	12	21	29.8	11	34.3	29.2	14	24	132128	QSL-B- $\frac{1}{4}$ -12-20	 New 20
R $\frac{3}{8}$	3.3	6	12.5	26.5	12	26.4	19.7	17	21	130932	QSL-B- $\frac{3}{8}$ -6-10	10
	4.8	8	14.5	27.7	12	28.6	21.9	17	23	130933	QSL-B- $\frac{3}{8}$ -8-10	10
	6.4	10	17.5	29.6	12	32	25	17	26	130934	QSL-B- $\frac{3}{8}$ -10-10	10
	6.6	12	21	31.3	12	35.5	29.2	17	30	132129	QSL-B- $\frac{3}{8}$ -12-10	 New 10
	10.1	16	25	47	11	53.2	33.1	22	81.5	132130	QSL-B- $\frac{3}{8}$ -16-10	 New 10
R $\frac{1}{2}$	6.2	10	17.5	32.6	15	33.2	25	21	42	130936	QSL-B- $\frac{1}{2}$ -10-10	10
	7.1	12	21	34.3	15	36.6	29.2	21	46	130937	QSL-B- $\frac{1}{2}$ -12-10	10
	10.9	16	25	51	15	55.4	33.1	22	85.5	132131	QSL-B- $\frac{1}{2}$ -16-10	 New 10

* Packaging unit quantity

Push-in fittings QS-B, Quick Star

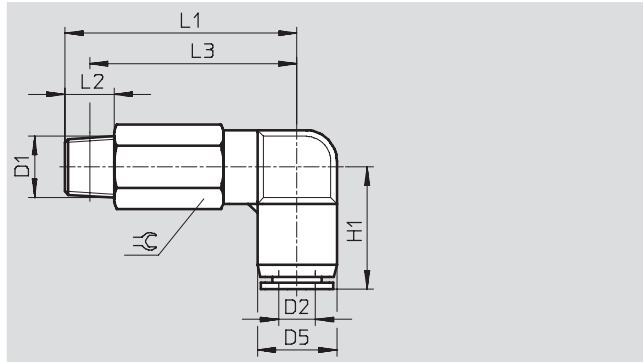
Technical data




Push-in long L-fitting QSLL-B

360° rotatable
Male thread
with external hex



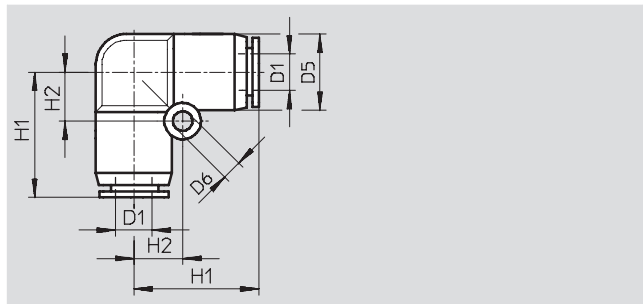
R thread




Dimensions and ordering data												
Connection	Nominal size	Tubing O.D.	D5	H1	L1	L2	L3	⌀	Weight/ piece	Part No.	Type	PU*
D1	[mm]	D2	∅						[g]			
R thread												
R $\frac{1}{8}$	2.2	4	10	16.8	31.7	8	32.7	10	12	132002	QSLL-B- $\frac{1}{8}$ -4-20	20
	3.3	6	12.5	19.7	34.8	8	37.1	10	13	132003	QSLL-B- $\frac{1}{8}$ -6-20	20
	4.3	8	14.5	21.9	41.5	8	44.8	12	19	132004	QSLL-B- $\frac{1}{8}$ -8-20	20
R $\frac{1}{4}$	2.2	4	10	16.8	38.1	11	37.1	14	24	132155	QSLL-B- $\frac{1}{4}$ -4-20	 New 20
	3.3	6	12.5	19.7	42.2	11	42.4	14	25	132006	QSLL-B- $\frac{1}{4}$ -6-20	20
	4.9	8	14.5	21.9	45.4	11	46.6	14	27	132007	QSLL-B- $\frac{1}{4}$ -8-20	20
	5.9	10	17.5	25.0	49.3	11	52.0	14	30	132156	QSLL-B- $\frac{1}{4}$ -10-20	 New 20
R $\frac{3}{8}$	3.3	6	12.5	19.7	42.7	12	42.6	17	37	132008	QSLL-B- $\frac{3}{8}$ -6-10	10
	4.9	8	14.5	21.9	45.9	12	46.8	17	39	132009	QSLL-B- $\frac{3}{8}$ -8-10	10
	6.0	10	17.5	25.0	50.8	12	53.2	17	43	132010	QSLL-B- $\frac{3}{8}$ -10-10	10
	6.3	12	21	29.2	56.0	12	60.2	17	47	132157	QSLL-B- $\frac{3}{8}$ -12-10	 New 10
R $\frac{1}{2}$	6.0	10	17.5	25.0	54.7	15	55.3	21	74	132012	QSLL-B- $\frac{1}{2}$ -10-10	10
	7.0	12	21	29.2	59.9	15	62.2	21	78	132013	QSLL-B- $\frac{1}{2}$ -12-10	10

* Packaging unit quantity

Push-in L-connector QSL-B



Dimensions and ordering data									
Tubing O.D.	Nominal size	D5	D6	H1	H2	Weight/ piece	Part No.	Type	PU*
D1	[mm]	∅	∅			[g]			
4	2.3	10	3.2	16.9	6.5	5.1	130950	QSL-B-4-20	20
6	3.6	12.5	3.2	20.1	8	7.3	130951	QSL-B-6-20	20
8	4.6	15	4.2	22.4	10	11	130952	QSL-B-8-20	20
10	6.2	17.5	4.2	26.2	12	17	130953	QSL-B-10-10	10
12	7.7	21	4.2	29.4	14	25	130954	QSL-B-12-10	10
16	10.8	25	4.2	33.1	12	30	132138	QSL-B-16-10	 New 10

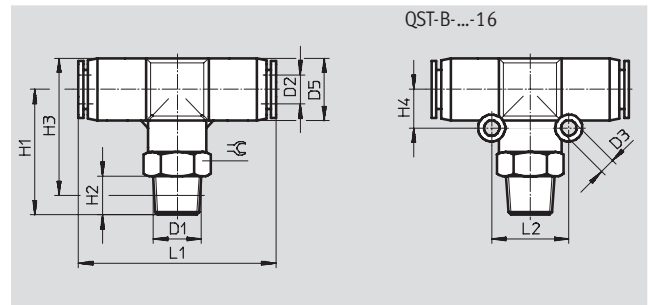
* Packaging unit quantity








Push-in fittings QS-B, Quick Star

Technical data

Push-in T-fitting QST-B

360° rotatable
Male thread
with external hex



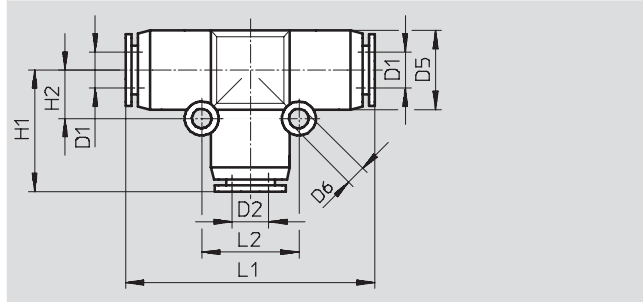
Dimensions and ordering data															
Connection	Nominal size	Tubing O.D.	D3	D5 ∅	H1	H2	H3	H4	L1	L2		Weight/ piece	Part No.	Type	PU*
D1	[mm]	D2										[g]			
R thread															
R $\frac{3}{8}$	2.1	4	-	10	18.9	8	19.9	-	33.6	-	10	10	130938	QST-B- $\frac{1}{8}$ -4-20	20
	3.2	6	-	12.5	21.8	8	19.5	-	39.3	-	10	11	130939	QST-B- $\frac{1}{8}$ -6-20	20
	4.6	8	-	14.5	24.2	8	27.5	-	43.8	-	12	17	130940	QST-B- $\frac{1}{8}$ -8-20	20
	4.9	10	-	17.5	26.1	8	30.9	-	50.0	-	12	23	132132	QST-B- $\frac{1}{8}$ -10-20	 New 20
R $\frac{1}{4}$	2.2	4	-	10	24.4	11	23.4	-	33.6	-	14	16	130941	QST-B- $\frac{1}{4}$ -4-20	20
	3.3	6	-	12.5	26.0	11	26.2	-	39.3	-	14	18	130942	QST-B- $\frac{1}{4}$ -6-20	20
	4.9	8	-	14.5	27.2	11	28.4	-	43.8	-	14	21	130943	QST-B- $\frac{1}{4}$ -8-20	20
	5.9	10	-	17.5	28.1	11	30.8	-	50.0	-	14	27	132133	QST-B- $\frac{1}{4}$ -10-20	 New 20
	5.9	12	-	21	29.8	11	34.3	-	58.4	-	14	34	132134	QST-B- $\frac{1}{4}$ -12-20	 New 20
R $\frac{3}{8}$	3.3	6	-	12.5	26.5	12	26.4	-	39.3	-	17	25	130944	QST-B- $\frac{3}{8}$ -6-10	10
	4.8	8	-	14.5	27.7	12	28.6	-	43.8	-	17	27	130945	QST-B- $\frac{3}{8}$ -8-10	10
	6.2	10	-	17.5	29.6	12	32.0	-	50.0	-	17	34	130946	QST-B- $\frac{3}{8}$ -10-10	10
	6.7	12	-	21	31.3	12	35.5	-	58.4	-	17	41	132135	QST-B- $\frac{3}{8}$ -12-10	 New 10
	10.1	16	4.2	25	47	11	53.2	12	66.2	24	22	95	132136	QST-B- $\frac{3}{8}$ -16-10	 New 10
R $\frac{1}{2}$	6.3	10	-	17.5	32.6	15	33.2	-	50.0	-	21	50	130948	QST-B- $\frac{1}{2}$ -10-10	10
	7.1	12	-	21	34.3	15	36.6	-	58.4	-	21	57	130949	QST-B- $\frac{1}{2}$ -12-10	10
	11.2	16	4.2	25	51	15	55.4	12	66.2	24	22	99	132137	QST-B- $\frac{1}{2}$ -16-10	 New 10

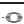
* Packaging unit quantity

Push-in fittings QS-B, Quick Star

Technical data

Push-in T-connector QST-B



Dimensions and ordering data												
Tubing O.D.	Nominal size	Tubing O.D.	D5	D6	H1	H2	L1	L2	Weight/ piece	Part No.	Type	PU*
D1	[mm]	D2	∅	∅					[g]			
4	2.6	4	10	3.2	16.9	6.5	33.8	13	7.5	130973	QST-B-4-20	20
6	4	6	13	3.5	20.1	8	40.1	16	11	130974	QST-B-6-20	20
8	5	8	15	3.5	22.2	9	44.4	18	16	130975	QST-B-8-20	20
10	6.7	10	17.5	4.2	25.2	12	50.4	24	25	130976	QST-B-10-10	10
12	8.7	12	21	4.2	28.2	14	56.8	28	36	130977	QST-B-12-10	10
16	10.7	16	25	4.2	33.1	12	66.2	24	43.5	132148	QST-B-16-10	 New 10

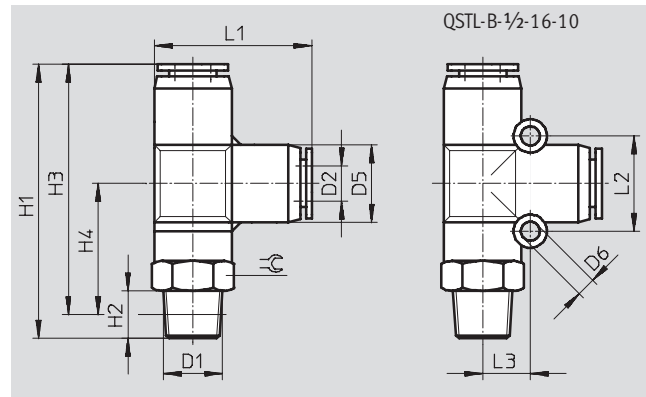
* Packaging unit quantity

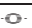

Push-in fittings QS-B, Quick Star

Technical data

Push-in T-fitting QSTL-B

360° rotatable
Male thread
with external hex



Dimensions and ordering data															
Connection	Nominal size	Tubing O.D.	D5 ∅	H1	H2	H3	H4	L1	L2	L3	⌀	Weight/ piece	Part No.	Type	PU*
D1	[mm]	D2										[g]			
R thread															
R1/8	2.2	4	10	36.1	8	32.1	14.9	16.8	-	-	10	10	130978	QSTL-B-1/8-4-20	20
	3.4	6	12.5	40.0	8	36.0	15.5	19.7	-	-	10	11	130979	QSTL-B-1/8-6-20	20
	4.7	8	14.5	46.6	8	42.6	20.2	21.9	-	-	14	17	130980	QSTL-B-1/8-8-20	20
R1/4	2.0	4	10	41.6	11	35.6	18.4	16.8	-	-	14	16	130981	QSTL-B-1/4-4-20	20
	3.4	6	12.5	46.5	11	40.4	20.0	19.7	-	-	14	18	130982	QSTL-B-1/4-6-20	20
	4.7	8	14.5	49.6	11	43.6	21.2	21.9	-	-	14	21	130983	QSTL-B-1/4-8-20	20
R3/8	3.4	6	12.5	47.0	12	40.6	20.2	19.7	-	-	17	24	130984	QSTL-B-3/8-6-10	10
	4.7	8	14.5	50.1	12	43.8	21.4	21.9	-	-	17	27	130985	QSTL-B-3/8-8-10	10
	5.9	10	17.5	55.1	12	48.8	23.3	25.0	-	-	17	34	130986	QSTL-B-3/8-10-10	10
	6.5	12	21	61.4	12	55.1	25.0	29.2	-	-	17	41	132149	QSTL-B-3/8-12-10	 New 10
R1/2	5.9	10	17.5	58.1	15	49.9	24.4	25.2	-	-	21	50	130988	QSTL-B-1/2-10-10	10
	6.8	12	21	64.4	15	56.2	26.1	29.2	-	-	21	57	130989	QSTL-B-1/2-12-10	10
	10.9	16	25	84.1	15	76.0	42.9	33.1	24	12	22	99	132150	QSTL-B-1/2-16-10	 New 10

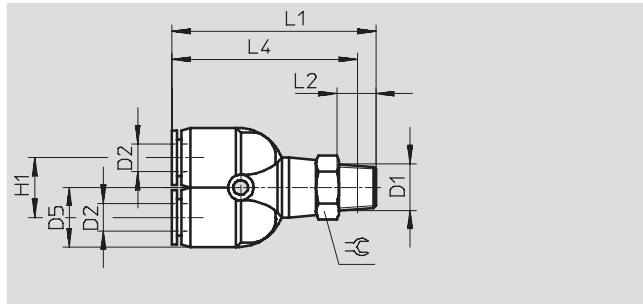
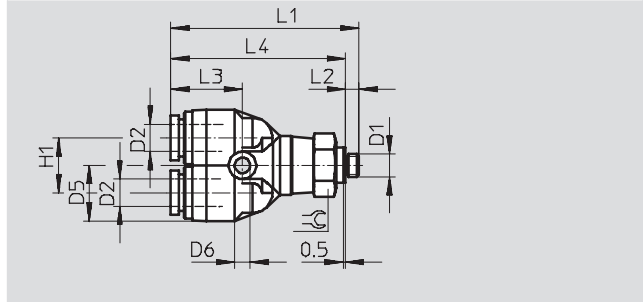
* Packaging unit quantity






Push-in fittings QS-B, Quick Star

Technical data

Push-in Y-fitting QSY-B

360° rotatable
Male thread
with external hex



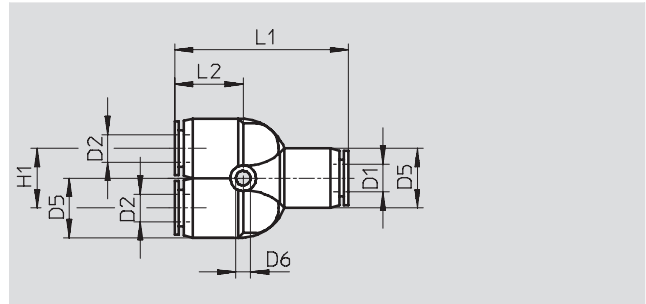
Dimensions and ordering data														
Connection	Nominal size	Tubing O.D.	D5	D6	H1	L1	L2	L3	L4		Weight/ piece	Part No.	Type	PU*
D1	[mm]	D2	∅	∅							[g]			
Metric thread with sealing ring														
M5	1.4	4	10	3.4	11	37.6	3	14.1	34.6	10	11	132158	QSY-B-M5-4-20	 New 20
	1.4	6	12.5	3.4	12	41.4	3	15.8	38.4	12	16	132159	QSY-B-M5-6-20	 New 20
R thread														
R $\frac{1}{8}$	2.1	4	10	-	10.3	36.1	8	-	32.1	10	10	132014	QSY-B- $\frac{1}{8}$ -4-20	20
	3.5	6	12.5	-	12.5	42.1	8	-	38.1	12	14	132015	QSY-B- $\frac{1}{8}$ -6-20	20
	4.4	8	14.5	-	14.5	46.0	8	-	42.0	12	17	132016	QSY-B- $\frac{1}{8}$ -8-20	20
R $\frac{1}{4}$	2.1	4	10	-	10.3	41.6	11	-	35.6	14	16	132017	QSY-B- $\frac{1}{4}$ -4-20	20
	3.6	6	12.5	-	12.5	44.1	11	-	38.0	14	18	132018	QSY-B- $\frac{1}{4}$ -6-20	20
	4.9	8	14.5	-	14.5	48.0	11	-	42.0	14	21	132019	QSY-B- $\frac{1}{4}$ -8-20	20
	5.7	10	17.5	-	17.5	51.2	11	-	45.2	14	28	132160	QSY-B- $\frac{1}{4}$ -10-20	 New 20
R $\frac{3}{8}$	3.6	6	12.5	-	12.5	44.6	12	-	38.2	17	25	132020	QSY-B- $\frac{3}{8}$ -6-10	10
	4.9	8	14.5	-	14.5	48.5	12	-	42.2	17	28	132021	QSY-B- $\frac{3}{8}$ -8-10	10
	5.7	10	17.5	-	17.5	51.7	12	-	45.4	17	34	132022	QSY-B- $\frac{3}{8}$ -10-10	10
	6.4	12	21	-	21	56.9	12	-	50.6	17	42	132161	QSY-B- $\frac{3}{8}$ -12-10	 New 10
R $\frac{1}{2}$	5.7	10	17.5	-	17.5	54.7	15	-	46.5	21	50	132024	QSY-B- $\frac{1}{2}$ -10-10	10
	6.5	12	21	-	21	59.9	15	-	51.7	21	58	132025	QSY-B- $\frac{1}{2}$ -12-10	10

* Packaging unit quantity

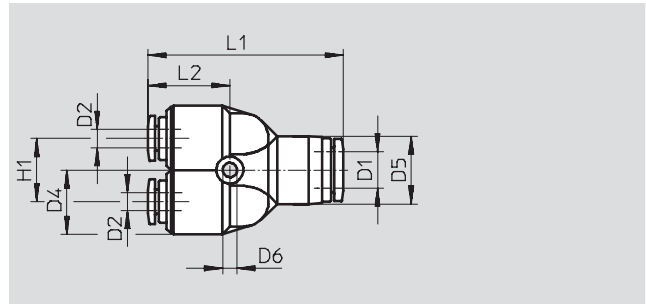
Push-in fittings QS-B, Quick Star

Technical data






Push-in Y-connector QSY-B



2 reducing outlets



Reducing

Dimensions and ordering data												
Tube O.D.	Nominal size	Tube O.D.	D4	D5	D6	H1	L1	L2	Weight/ piece	Part No.	Type	PU*
D1	[mm]	D2	∅	∅	∅				[g]			
4	2.3	4	-	10	3.4	11	32.8	14.1	7.6	130955	QSY-B-4-20	20
6	3.6	6	-	13	3.4	12	37.7	15.8	11	130956	QSY-B-6-20	20
8	4.6	8	-	15	3.4	14	42.4	17.2	16	130957	QSY-B-8-20	20
10	5.9	10	-	18	4.5	18	48.4	19.5	26	130958	QSY-B-10-10	10
12	7	12	-	21.5	4.2	20	54.8	22.2	37	130959	QSY-B-12-10	10
16	8.5	16	-	25	4.5	24	62.2	22.1	45	132139	QSY-B-16-10	 New 10
Reducing												
6	2.3	4	12.5	13	3.4	12	37.2	15.2	11	130960	QSY-B-6-4-20	20
8	2.1	4	14.5	15	3.4	14	43.4	18.2	17	132140	QSY-B-8-4-20	 New 20
	3.6	6	14.5	15	3.4	14	42.5	17.3	15	130961	QSY-B-8-6-20	20
10	3.6	6	18	18	4.5	18	50.2	21.3	27	132141	QSY-B-10-6-10	 New 10
	4.7	8	18	18	4.5	18	48.1	19.2	23	130962	QSY-B-10-8-10	10
12	5.4	8	21	21.5	4.2	20	56.4	23.8	40	132142	QSY-B-12-8-10	 New 10
	5.9	10	21	21.5	4.2	20	54.6	22	36	130963	QSY-B-12-10-10	10
16	7.8	12	25	25	4.5	24	66.5	26.4	77	132143	QSY-B-16-12-10	 New 10

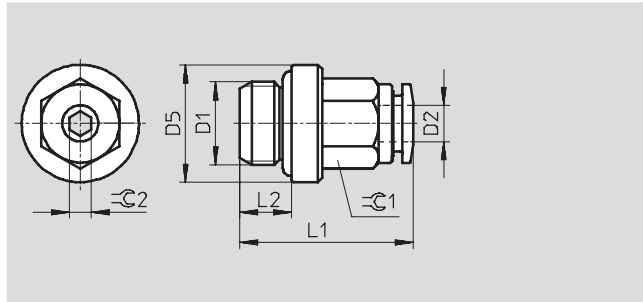
* Packaging unit quantity

Push-in fittings QS-F, Quick Star, metal

Technical data

Push-in fitting QS-F

Male thread
with external hex



Dimensions and ordering data											
Connection	Nominal size	Tubing O.D.	D5 ∅	L1	L2	G1	G2	Weight/piece	Part No.	Type	PU*
D1	[mm]	D2						[g]			
Metric thread											
M5	2.6	4	8	20.5	4	9	2.5	6.1	533844	QS-F-M5-4	10
	2.6	6	8	23	4	11	2.5	9.3	533845	QS-F-M5-6	10
M7	2.6	4	10.2	22	5.5	9	2.5	6.9	533846	QS-F-M7-4	10
	3.6	6	11	25.3	5.5	11	3.5	10.3	533847	QS-F-M7-6	10
G thread with sealing ring											
G1/8	2.6	4	13.5	19.5	5.5	9	2.5	8.9	193408	QS-F-G1/8-4	10
	4.2	6	13.5	24.8	5.5	11	4	12	193409	QS-F-G1/8-6	10
	5.2	8	12.8	26.5	5.5	13	5	14	193410	QS-F-G1/8-8	10
G1/4	4.2	6	17	22.8	6.5	11	4	16	193411	QS-F-G1/4-6	10
	6.2	8	17	24	6.5	13	6	16	193412	QS-F-G1/4-8	10
	7.3	10	16	28.9	6.5	16	7	23.7	193413	QS-F-G1/4-10	10
	7.3	12	16	31.9	6.5	19	7	32	533848	QS-F-G1/4-12	10
G3/8	6.2	8	20	24	7.5	13	6	23.3	193414	QS-F-G3/8-8	10
	8.3	10	21	29.4	7.5	16	8	30	193415	QS-F-G3/8-10	10
	10.3	12	22	31.9	7.5	19	10	38.1	197487	QS-F-G3/8-12	10
G1/2	8.3	10	24	28.9	9	16	8	42	193416	QS-F-G1/2-10	1
	10.3	12	24	31.4	9	19	10	46	193417	QS-F-G1/2-12	1

* Packaging unit quantity

Push-in fittings QS-F, Quick Star, metal

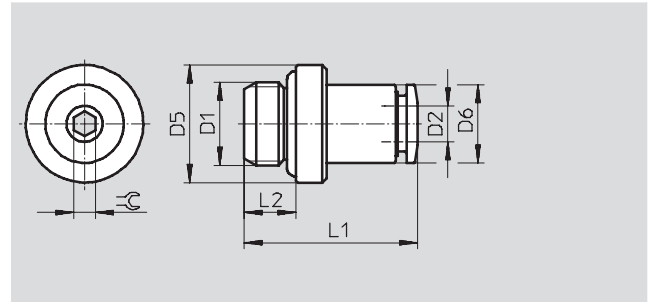
Technical data

Push-in fitting QS-F-...-I

Male thread
with internal hex



M and G thread



Dimensions and ordering data											
Connection	Nominal size	Tubing O.D.	D5	D6	L1	L2	≈C	Weight/ piece	Part No.	Type	PU*
D1	[mm]	D2	∅	∅				[g]			
Metric thread with sealing ring											
M5	2.6	4	8	9	20.5	4	2.5	6	533924	QS-F-M5-4-I	10
	2.6	6	8	11	23.5	4	2.5	9	537014	QS-F-M5-6-I	10
M7	2.6	4	11	9	22	5.5	2.5	6.4	533925	QS-F-M7-4-I	10
	4.1	6	11	11	25.3	5.5	3.5	9.4	533926	QS-F-M7-6-I	10
G thread											
G ¹ / ₈	2.6	4	13	9	19.5	5.5	2.5	8.6	533927	QS-F-G ¹ / ₈ -4-I	10
	4.2	6	13	11	24.8	5.5	4	13.4	533928	QS-F-G ¹ / ₈ -6-I	10
	5.2	8	13	13	26.5	5.5	5	13.1	533929	QS-F-G ¹ / ₈ -8-I	10
G ¹ / ₄	6.2	8	16	13	24	6.5	6	14.6	533930	QS-F-G ¹ / ₄ -8-I	10
	7.3	10	16	16	28.9	6.5	7	21	533931	QS-F-G ¹ / ₄ -10-I	10
G ³ / ₈	10.3	12	22	19	31.9	7.5	10	34.3	533932	QS-F-G ³ / ₈ -12-I	10

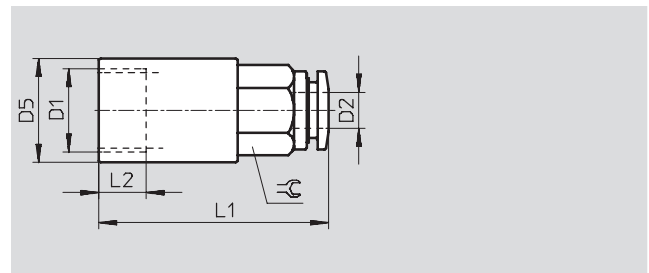
* Packaging unit quantity

Push-in fitting QSF-F

Female thread
with external hex



G thread



Dimensions and ordering data											
Connection	Nominal size	Tubing O.D.	D5	L1	L2	≈C	Weight/ piece	Part No.	Type	PU*	
D1	[mm]	D2	∅				[g]				
G thread											
G ¹ / ₈	3	4	12	26.5	6.8	9	12.3	533854	QSF-F-G ¹ / ₈ -4	10	
	5	6	12	28.3	6.8	11	12.2	533856	QSF-F-G ¹ / ₈ -6	10	
	7	8	12	28.5	6.8	13	13.9	533858	QSF-F-G ¹ / ₈ -8	10	
G ¹ / ₄	3	4	17	29.5	9	9	24.9	533855	QSF-F-G ¹ / ₄ -4	10	
	5	6	17	31.3	9	11	21.4	533857	QSF-F-G ¹ / ₄ -6	10	
	7	8	17	32.5	9	13	23.2	533859	QSF-F-G ¹ / ₄ -8	10	

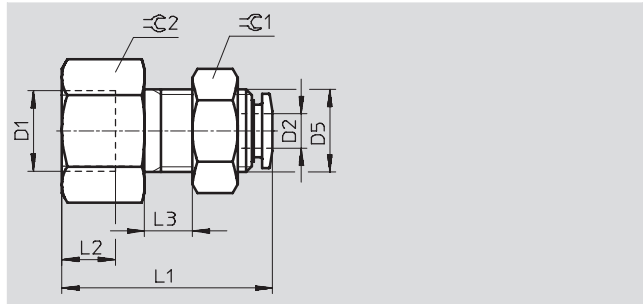
* Packaging unit quantity

Push-in fittings QS-F, Quick Star, metal

Technical data

FESTO

Push-in bulkhead connector QSSF-F
with female thread



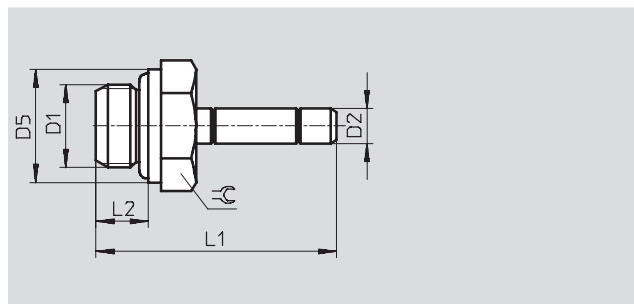
Dimensions and ordering data												
Connection	Nominal size	Tubing O.D.	D5 Ø	L1	L2	L3 max.	∅C1	∅C2	Weight/ piece [g]	Part No.	Type	PU*
D1	[mm]	D2										
G thread												
G $\frac{1}{8}$	3	4	M10x1	25.5	6.8	6.6	13	15	19.7	533919	QSSF-F-G $\frac{1}{8}$ -4	10
	5	6	M14x1	26.8	6.8	6.6	17	15	27.8	533920	QSSF-F-G $\frac{1}{8}$ -6	10
	7	8	M16x1	29	6.8	6.6	19	17	38.4	533922	QSSF-F-G $\frac{1}{8}$ -8	10
G $\frac{1}{4}$	5	6	M14x1	31.3	9	6.6	17	17	38.3	533921	QSSF-F-G $\frac{1}{4}$ -6	10
	7	8	M16x1	33.5	9	6.6	19	17	39.6	533923	QSSF-F-G $\frac{1}{4}$ -8	10

* Packaging unit quantity

Push-in fittings QS-F, Quick Star, metal

Technical data

Push-in fitting QS-F-...H
with push-in sleeve



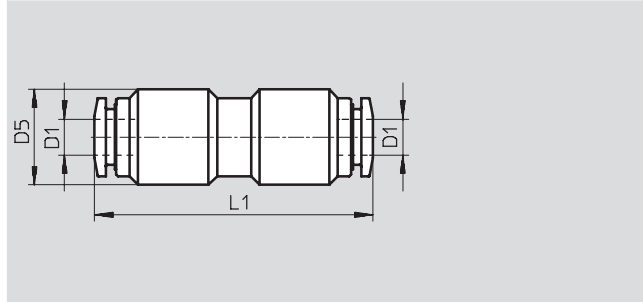
Dimensions and ordering data										
Connection	Nominal size	Push-in sleeve \varnothing	D5 \varnothing	L1	L2	\approx	Weight/ piece [g]	Part No.	Type	PU*
D1	[mm]	D2								
M thread										
M5	2	4	8	24.7	4	8	3.1	533874	QS-F-M5-4H	10
	2.6	6	8	27.5	4	8	5.8	533875	QS-F-M5-6H	10
M7	2	4	11	26.2	5.5	9	4.1	533876	QS-F-M7-4H	10
	3.5	6	11	29	5.5	9	5.9	533877	QS-F-M7-6H	10
G thread										
G $\frac{1}{8}$	2	4	13	27.7	5.5	9	8.3	533878	QS-F-G $\frac{1}{8}$ -4H	10
	4	6	13	30.5	5.5	13	10.1	533879	QS-F-G $\frac{1}{8}$ -6H	10
	6	8	13	32	5.5	13	10.3	533880	QS-F-G $\frac{1}{8}$ -8H	10
G $\frac{1}{4}$	4	6	16	32	6.5	13	12.2	533881	QS-F-G $\frac{1}{4}$ -6H	10
	6	8	16	33.5	6.5	13	13.4	533882	QS-F-G $\frac{1}{4}$ -8H	10
	8	10	16	36.5	6.5	13	20.7	533883	QS-F-G $\frac{1}{4}$ -10H	10
	8	12	16	37.5	6.5	13	20.7	533884	QS-F-G $\frac{1}{4}$ -12H	10
G $\frac{3}{8}$	6	8	20	35.5	7.5	13	20.6	533885	QS-F-G $\frac{3}{8}$ -8H	10
	8	10	20	39.5	7.5	13	23.5	533886	QS-F-G $\frac{3}{8}$ -10H	10
	10	12	20	40.5	7.5	13	23.6	533887	QS-F-G $\frac{3}{8}$ -12H	10
G $\frac{1}{2}$	8	10	24	41	9	16	30.9	533888	QS-F-G $\frac{1}{2}$ -10H	10
	10	12	24	42	9	16	31.6	533889	QS-F-G $\frac{1}{2}$ -12H	1

* Packaging unit quantity

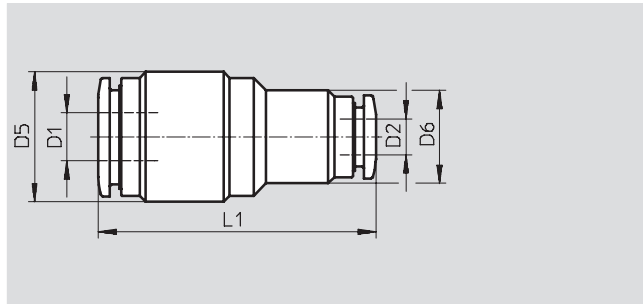
Push-in fittings QS-F, Quick Star, metal



Technical data

Push-in connector QS-F



Reducing



Dimensions and ordering data									
Tubing O.D.	Nominal size	Tubing O.D.	D5	D6	L1	Weight/piece	Part No.	Type	PU*
D1	[mm]	D2	∅	∅		[g]			
4	3	–	11	–	32	14.3	533939	QS-F-4	10
6	5	–	14	–	36.1	22.5	533940	QS-F-6	10
8	7	–	16	–	38	29.4	533941	QS-F-8	10
10	9	–	18	–	42.3	41.7	533942	QS-F-10	10
12	11	–	22	–	45.8	67.9	533943	QS-F-12	10
Reducing									
6	3	4	13	11	34.8	16.8	564889	QS-F-6-4	 New 1
8	5	6	15	13	37.8	23.5	564890	QS-F-8-6	 New 1
12	7	8	21	15	43.6	48.5	564891	QS-F-12-8	 New 1

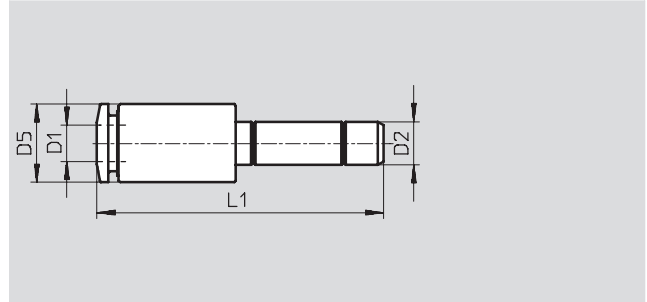
* Packaging unit quantity

Push-in fittings QS-F, Quick Star, metal

Technical data

FESTO

Push-in connector QS-F...H
with push-in sleeve



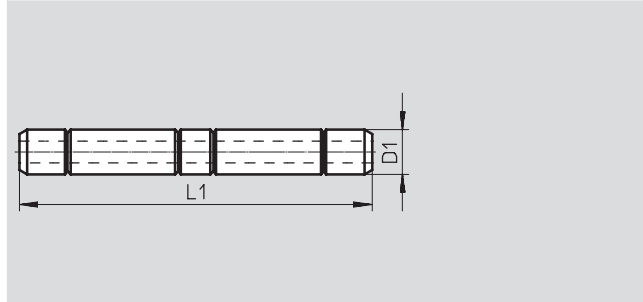
Dimensions and ordering data								
Tubing O.D.	Nominal size	Push-in sleeve \varnothing	D5	L1	Weight/piece	Part No.	Type	PU*
D1	[mm]	D2	\varnothing		[g]			
4	3	6	9	32.5	7.3	533895	QS-F-6H-4	10
4	3	8	9	34	11.2	533896	QS-F-8H-4	10
6	5	8	11	36.3	10.8	533897	QS-F-8H-6	10
4	3	10	13	39	23.5	533898	QS-F-10H-4	10
6	5	10	11	39.3	17.5	533899	QS-F-10H-6	10
8	7	10	13	39	14.2	533900	QS-F-10H-8	10
6	5	12	13	40.3	27.8	533901	QS-F-12H-6	10
8	7	12	13	39.5	21.4	533902	QS-F-12H-8	10
10	9	12	16	41.4	20.8	533903	QS-F-12H-10	10

* Packaging unit quantity

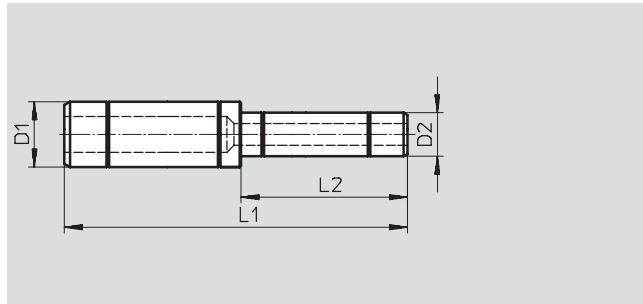
Push-in fittings QS-F, Quick Star, metal




Technical data

Push-in sleeve QSH-F



Reducing



Dimensions and ordering data								
Push-in sleeve Ø D1	Nominal size [mm]	Push-in sleeve Ø D2	L1	L2	Weight/piece [g]	Part No.	Type	PU*
4	2	–	33.4	–	2.8	533890	QSH-F-4	10
6	4	–	39	–	4.8	533891	QSH-F-6	10
8	6	–	42	–	8.6	533892	QSH-F-8	10
10	8	–	48	–	10.9	533893	QSH-F-10	10
12	10	–	50	–	14.1	533894	QSH-F-12	10
Reducing								
6	2	4	41.0	19.5	4.4	564892	QSH-F-6-4	 New 1
8	4	6	44.5	21.5	7.2	564893	QSH-F-8-6	 New 1
12	6	8	50.0	23.0	12.6	564894	QSH-F-12-8	 New 1

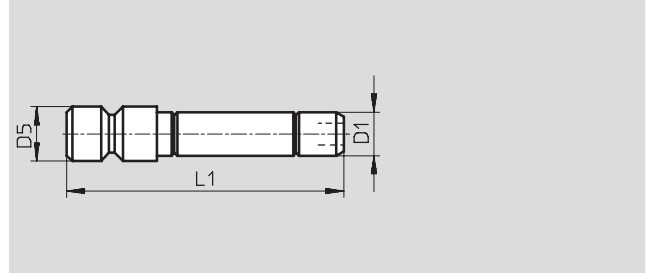
* Packaging unit quantity

Push-in fittings QS-F, Quick Star, metal

Technical data

FESTO

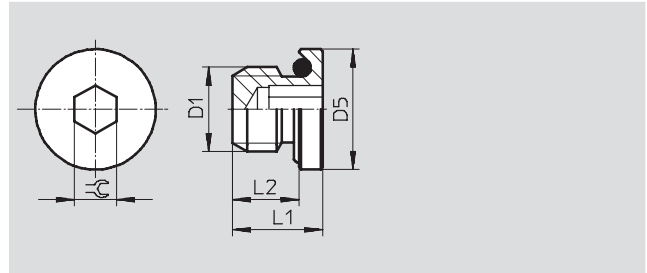
Blanking plug QSC-F-...H



Dimensions and ordering data						
Push-in sleeve \varnothing	D5 \varnothing	L1	Weight/piece [g]	Part No.	Type	PU*
D1						
4	5	26	3.1	533904	QSC-F-4H	10
6	7	29	4.6	533905	QSC-F-6H	10
8	9	31.5	7.6	533906	QSC-F-8H	10
10	11	35	10.8	533907	QSC-F-10H	10
12	13	37	14.7	533908	QSC-F-12H	10

* Packaging unit quantity

Locking screw QSC-F-...I



Dimensions and ordering data								
Connection	D5 \varnothing	L1	L2	\approx	Weight/piece [g]	Part No.	Type	PU*
D1								
M thread with sealing ring								
M5	8.0	6.5	4.0	2.5	1.0	556855	QSC-F-M5-I	New 10
M7	10.2	8.5	5.5	3.5	2.0	556856	QSC-F-M7-I	New 10
G thread with sealing ring								
G $\frac{1}{8}$	14.0	8.5	5.5	4.0	4.9	556857	QSC-F-G $\frac{1}{8}$ -I	New 10
G $\frac{1}{4}$	17.0	9	6.5	6.0	8.8	556858	QSC-F-G $\frac{1}{4}$ -I	New 10
G $\frac{3}{8}$	20.0	10.5	7.5	8.0	15.0	556859	QSC-F-G $\frac{3}{8}$ -I	New 10
G $\frac{1}{2}$	24.0	12.0	9.0	10.0	25.7	556860	QSC-F-G $\frac{1}{2}$ -I	New 10

* Packaging unit quantity

Push-in fittings QS-F, Quick Star, metal

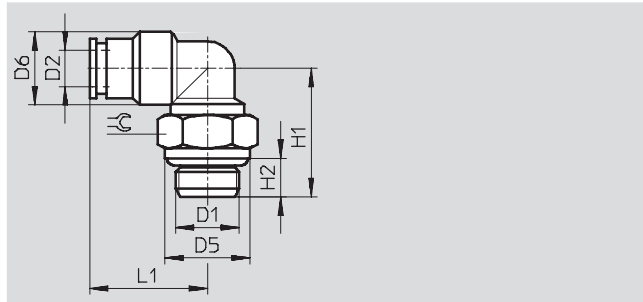
Technical data

Push-in L-fitting QSL-F

360° rotatable
Male thread
with external hex



M and G thread



Dimensions and ordering data												
Connection	Nominal size	Tubing O.D.	D5	D6	H1	H2	L1	\approx	Weight/ piece	Part No.	Type	PU*
D1	[mm]	D2	∅	∅					[g]			
M thread with sealing ring												
M5	3	4	8	9	19.7	4	18.2	8	10.7	533849	QSL-F-M5-4	10
	5	6	8	11	19.7	4	20.6	8	14.7	533850	QSL-F-M5-6	10
M7	3	4	10.2	9	21.7	5.5	18.2	9	11.3	533851	QSL-F-M7-4	10
	5	6	10.2	11	21.7	5.5	20.6	9	15.6	533852	QSL-F-M7-6	10
G thread with sealing ring												
G $\frac{1}{8}$	3	4	12.8	11	18.2	5.5	17.7	13	17.6	193418	QSL-F-G $\frac{1}{8}$ -4	10
	5	6	12.8	11	18.2	5.5	19.8	13	16	193419	QSL-F-G $\frac{1}{8}$ -6	10
	7	8	12.8	13	20.2	5.5	23	13	20	193420	QSL-F-G $\frac{1}{8}$ -8	10
G $\frac{1}{4}$	5	6	15.8	11	21	6.5	22.1	16	24.5	193421	QSL-F-G $\frac{1}{4}$ -6	10
	7	8	15.8	13	21	6.5	23	16	24	193422	QSL-F-G $\frac{1}{4}$ -8	10
	9	10	15.8	16	23	6.5	26.4	16	34.6	193423	QSL-F-G $\frac{1}{4}$ -10	10
	10	12	15.8	19	23	6.5	28.9	16	49	533853	QSL-F-G $\frac{1}{4}$ -12	10
G $\frac{3}{8}$	7	8	20	13	24	7.5	24.5	18	34.2	193424	QSL-F-G $\frac{3}{8}$ -8	10
	9	10	20	16	24	7.5	26.4	18	36.6	193425	QSL-F-G $\frac{3}{8}$ -10	10
	10	12	20	19	24	7.5	28.9	18	51.1	197486	QSL-F-G $\frac{3}{8}$ -12	10
G $\frac{1}{2}$	9	10	25	17	29	9	27.9	21	66	193426	QSL-F-G $\frac{1}{2}$ -10	1
	10	12	25	19	29	9	28.9	21	70	193427	QSL-F-G $\frac{1}{2}$ -12	1

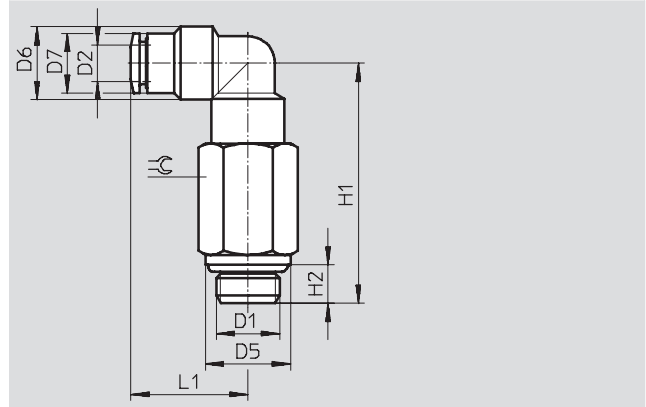
* Packaging unit quantity

Push-in fittings QS-F, Quick Star, metal

Technical data

Push-in L-fitting (long) QSLL-F

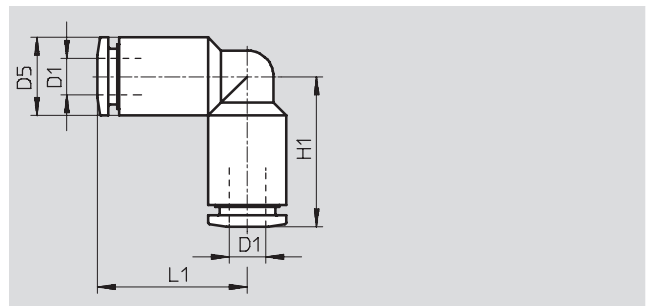
Male thread
with external hex



Dimensions and ordering data													
Connection	Nominal size	Tubing O.D.	D5 ∅	D6 ∅	D7	H1	H2	L1	⌀	Weight/ piece [g]	Part No.	Type	PU*
D1	[mm]	D2											
G ¹ / ₈	3	4	12.8	11	9	35.7	5.5	17.2	13	33.2	556843	QSLL-F-G ¹ / ₈ -4	New 10
	3.8	6	12.8	11	-	35.7	5.5	20.8	13	34.3	556844	QSLL-F-G ¹ / ₈ -6	New 10
	3.8	8	12.8	13	-	38.0	5.5	23.0	13	39	556845	QSLL-F-G ¹ / ₈ -8	New 10
G ¹ / ₄	5	6	15.8	11	-	42.7	6.5	22.2	16	51.4	556846	QSLL-F-G ¹ / ₄ -6	New 10
	6	8	15.8	13	-	43.9	6.5	23.0	16	51.7	556847	QSLL-F-G ¹ / ₄ -8	New 10
	6	10	15.8	16	-	46.7	6.5	26.4	16	58.7	556848	QSLL-F-G ¹ / ₄ -10	New 10
	6	12	15.8	19	-	47.7	6.5	28.9	16	75.9	556849	QSLL-F-G ¹ / ₄ -12	New 10
G ³ / ₈	7	8	20.0	13	-	47.8	7.5	24.5	18	66.1	556850	QSLL-F-G ³ / ₈ -8	New 10
	8.8	10	20.0	16	-	47.8	7.5	25.9	18	70.5	556851	QSLL-F-G ³ / ₈ -10	New 10
	8.8	12	20.0	19	-	49.3	7.5	28.9	18	82.7	556852	QSLL-F-G ³ / ₈ -12	New 10
G ¹ / ₂	9	10	25.0	17	16	51.9	9.0	27.9	21	102.3	556853	QSLL-F-G ¹ / ₂ -10	New 1
	10	12	25.0	19	-	51.9	9.0	28.9	21	106.2	556854	QSLL-F-G ¹ / ₂ -12	New 1

* Packaging unit quantity

Push-in L-connector QSL-F



Dimensions and ordering data							
Tubing O.D.	Nominal size	D5 ∅	L1	Weight/piece [g]	Part No.	Type	PU*
D1	[mm]						
4	3	9	17.3	9	533860	QSL-F-4	10
6	5	11	20.6	15.1	533861	QSL-F-6	10
8	7	13	23	19.1	533862	QSL-F-8	10
10	9	16	26.4	29.6	533863	QSL-F-10	10
12	10	19	28.9	50.7	533864	QSL-F-12	10

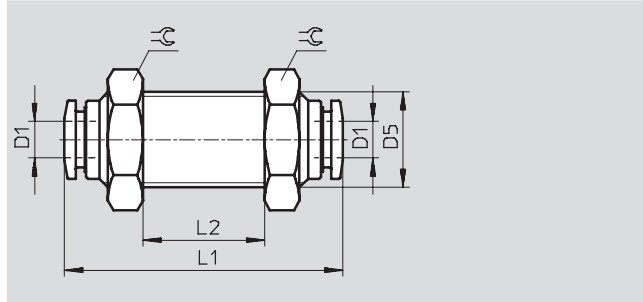
* Packaging unit quantity

Push-in fittings QS-F, Quick Star, metal

Technical data

FESTO

Push-in bulkhead connector QSS-F



Dimensions and ordering data									
Tubing O.D.	Nominal size	D5	L1	L2	⌀	Weight/piece	Part No.	Type	PU*
D1	[mm]	Ø				[g]			
4	3	M11x1	32	8	14	18.3	533909	QSS-F-4	10
6	5	M14x1	36.1	8	17	29.9	533910	QSS-F-6	10
8	7	M16x1	38	10	18	34.6	533911	QSS-F-8	10
10	9	M18x1	42.3	12	21	50.5	533912	QSS-F-10	10
12	10	M22x1	45.8	17	26	88.2	533913	QSS-F-12	10

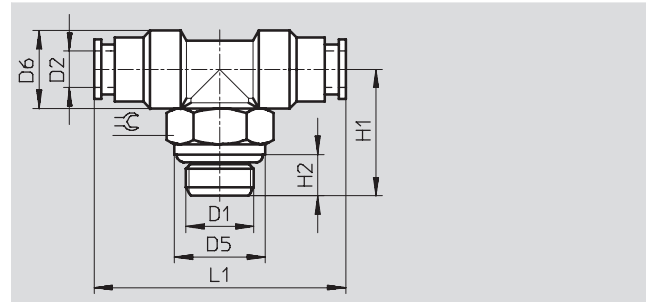
* Packaging unit quantity

Push-in fittings QS-F, Quick Star, metal

Technical data

Push-in T-fitting QST-F

360° rotatable
Male thread
with external hex



Dimensions and ordering data												
Connection	Nominal size	Tubing O.D.	D5 ∅	D6 ∅	H1	H2	L1	≈	Weight/ pieces [g]	Part No.	Type	PU*
D1	[mm]	D2										
M thread												
M5	3	4	8	9	19.7	4	34.6	8	14.6	533914	QST-F-M5-4	10
	5	6	8	11	19.7	4	41.2	8	20.9	533915	QST-F-M5-6	10
M7	3	4	10.2	9	21.7	5.5	34.6	9	15.9	533916	QST-F-M7-4	10
	5	6	10.2	11	21.7	5.5	41.2	9	22.2	533917	QST-F-M7-6	10
G thread with sealing ring												
G ¹ / ₈	3	4	12.8	11	18.2	5.5	34.6	13	22	193428	QST-F-G ¹ / ₈ -4	10
	5	6	12.8	11	18.2	5.5	39.6	13	22	193429	QST-F-G ¹ / ₈ -6	10
	7	8	12.8	13	20.2	5.5	46	13	28	193430	QST-F-G ¹ / ₈ -8	10
G ¹ / ₄	5	6	15.8	11	21	6.5	44.2	16	32	193431	QST-F-G ¹ / ₄ -6	10
	7	8	15.8	13	21	6.5	46	16	33.6	193432	QST-F-G ¹ / ₄ -8	10
	9	10	15.8	16	23	6.5	52.8	16	47.5	193433	QST-F-G ¹ / ₄ -10	10
G ³ / ₈	10	12	15.8	19	23	6.5	57.8	16	64.2	533918	QST-F-G ¹ / ₄ -12	10
	7	8	20	13	24	7.5	49	18	44	193434	QST-F-G ³ / ₈ -8	10
	9	10	20	16	24	7.5	52.8	18	51	193435	QST-F-G ³ / ₈ -10	10
G ¹ / ₂	10	12	20	19	24	7.5	57.8	18	68	197485	QST-F-G ³ / ₈ -12	10
	9	10	25	17	29	9	55.8	21	84	193436	QST-F-G ¹ / ₂ -10	1
	10	12	25	19	29	9	57.8	21	90	193437	QST-F-G ¹ / ₂ -12	1

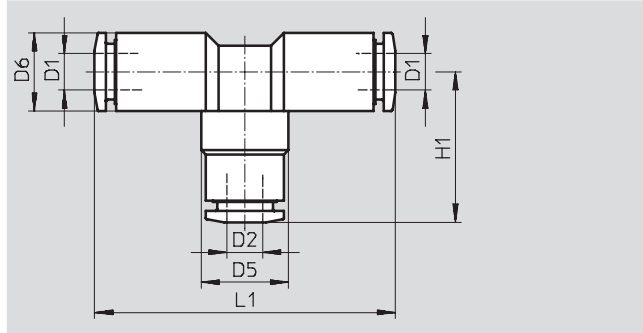
* Packaging unit quantity

Push-in fittings QS-F, Quick Star, metal

FESTO

Technical data

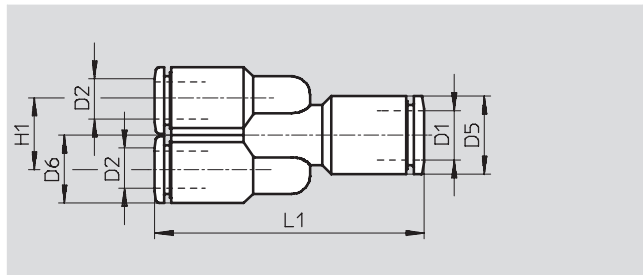
Push-in T-connector QST-F



Dimensions and ordering data										
Tubing O.D.	Nominal size	Tubing O.D.	D5	D6	H1	L1	Weight/ pieces	Part No.	Type	PU*
D1	[mm]	D2	∅	∅			[g]			
4	3	4	9	9	17.3	34.6	13.1	533865	QST-F-4	10
6	5	6	11	11	20.6	41.2	21.3	533866	QST-F-6	10
8	7	8	13	13	23	46	26.9	533867	QST-F-8	10
10	9	10	16	16	26.4	52.8	43.2	533868	QST-F-10	10
12	10	12	19	19	28.9	57.8	66.1	533869	QST-F-12	10
Reducing										
6	5	4	11	11	20.6	41.2	22.3	533870	QST-F-6-4	10
8	7	6	11	13	23	46	26.5	533871	QST-F-8-6	10
10	9	8	13	16	26.4	52.8	41	533872	QST-F-10-8	10
12	10	10	16	19	28.9	57.8	64.3	533873	QST-F-12-10	10

* Packaging unit quantity

Push-in Y-connector QSY-F



Dimensions and ordering data										
Tubing O.D.	Nominal size	Tubing O.D.	D5	D6	H1	L1	Weight/ pieces	Part No.	Type	PU*
D1	[mm]	D2	∅	∅			[g]			
6	5	6	11	11	11.5	43.1	26.2	533933	QSY-F-6	10
8	7	8	13	13	13.5	46.5	27.6	533935	QSY-F-8	10
10	9	10	16	16	16.5	49.3	58.8	533937	QSY-F-10	10
Reducing										
6	3	4	11	9	9.5	38.8	17.8	533934	QSY-F-6-4	10
8	5	6	13	11	11.5	44.8	28.1	533936	QSY-F-8-6	10
10	7	8	16	13	13.5	46.5	39	533938	QSY-F-10-8	10

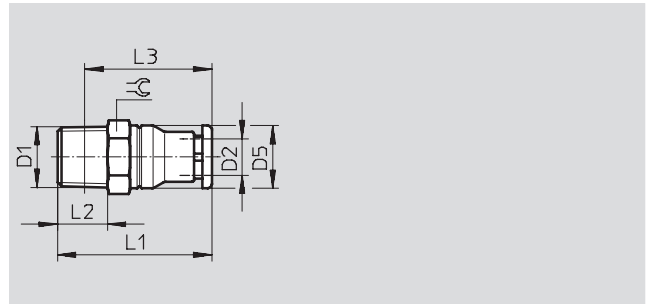
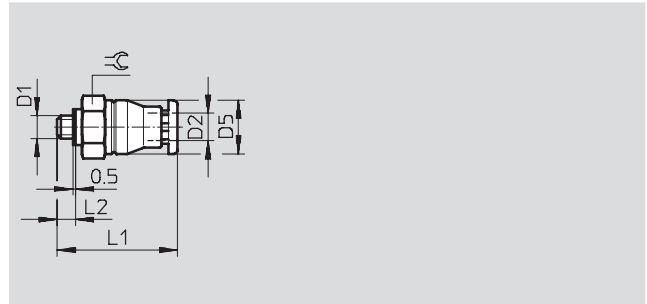
* Packaging unit quantity

Push-in fittings CRQS, Quick Star, stainless steel

Technical data

Push-in fitting CRQS

Male thread
with internal and external hex



Dimensions and ordering data											
Connection	Nominal size	Tubing O.D.	D5	L1	L2	L3	⌀	Weight/pieces	Part No.	Type	PU*
D1	[mm]	D2	∅					[g]			
Metric thread with sealing ring											
M5x0.8	2	4	9.8	24.2	3	-	10	6	162860	CRQS-M5-4	1
	2	6	11.8	25.6	3	-	12	8.4	162861	CRQS-M5-6	1
R thread											
R $\frac{1}{8}$	2.5	4	9.8	27.2	8	23.3	10	8.7	132643	CRQS- $\frac{1}{8}$ -4	☉ New 1
	4.1	6	11.8	27.6	8	23.7	12	9.9	162862	CRQS- $\frac{1}{8}$ -6	1
	5.1	8	13.8	30.7	8	26.8	14	13	162863	CRQS- $\frac{1}{8}$ -8	1
R $\frac{1}{4}$	4.2	6	11.8	31.6	11	25.6	14	18	132644	CRQS- $\frac{1}{4}$ -6	☉ New 1
	5.8	8	13.8	33.7	11	27.7	14	18	162864	CRQS- $\frac{1}{4}$ -8	1
	5.9	10	16.8	36	11	29.9	17	22	162865	CRQS- $\frac{1}{4}$ -10	1
R $\frac{3}{8}$	6	10	16.8	38	12	31.6	17	29	162866	CRQS- $\frac{3}{8}$ -10	1
	7.6	12	19.8	39.8	12	33.4	21	38	162867	CRQS- $\frac{3}{8}$ -12	1
R $\frac{1}{2}$	8.1	12	19.8	42.8	15	34.6	22	55	162868	CRQS- $\frac{1}{2}$ -12	1
	10.1	16	23.7	49.9	15	41.6	24	59	162869	CRQS- $\frac{1}{2}$ -16	1

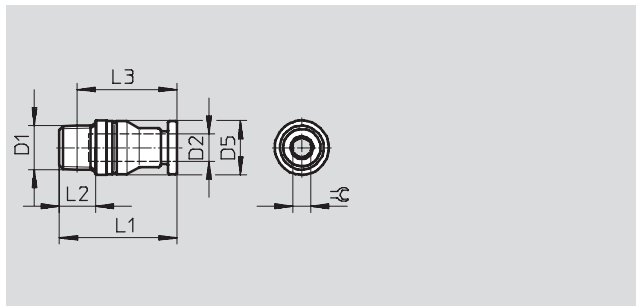
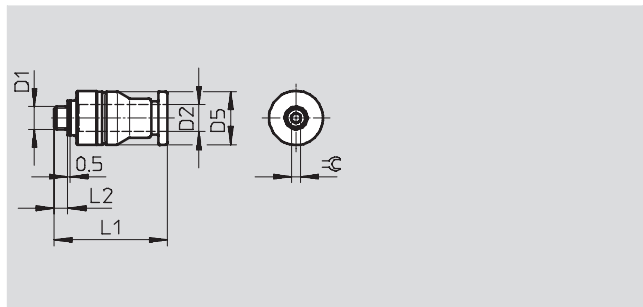
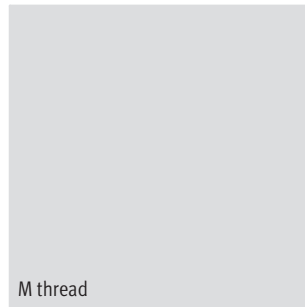
* Packaging unit quantity

Push-in fittings CRQS, Quick Star, stainless steel

Technical data

Push-in fitting CRQS-...-I

Male thread
with internal hex



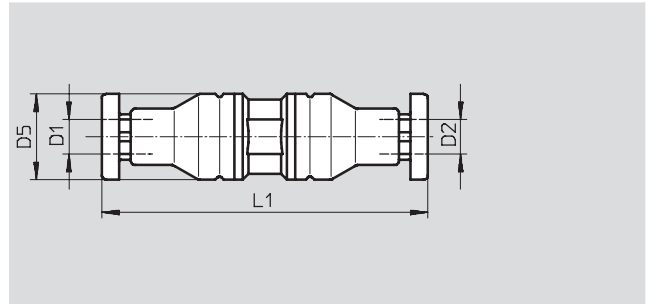
Dimensions and ordering data											
Connection	Nominal size	Tubing O.D.	D5	L1	L2	L3	⌀	Weight/pieces	Part No.	Type	PU*
D1	[mm]	D2	∅					[g]			
Metric thread with sealing ring											
M5	2	4	10	22.7	3	-	2	5	132328	CRQS-M5-4-I	1
	2	6	12	25.1	3	-	2	7.7	132329	CRQS-M5-6-I	1
R thread											
R1/8	4.1	6	12	26.1	8	22.2	4	8.4	132330	CRQS-1/8-6-I	1
	5.1	8	14	30.2	8	26.3	5	12	132331	CRQS-1/8-8-I	1
R1/4	5.8	8	14	31.2	11	25.2	6	15	132332	CRQS-1/4-8-I	1
	5.9	10	17	36.0	11	29.9	6	21	132333	CRQS-1/4-10-I	1
R3/8	6	10	17	34.0	12	27.6	6	24	132334	CRQS-3/8-10-I	1
	7.6	12	20	36.3	12	29.9	8	28	132335	CRQS-3/8-12-I	1
R1/2	8.1	12	22	39.3	15	31.1	8	45	132336	CRQS-1/2-12-I	1
	10.1	16	24	46.7	15	38.6	12	47	132337	CRQS-1/2-16-I	1

* Packaging unit quantity

Push-in fittings CRQS, Quick Star, stainless steel

Technical data

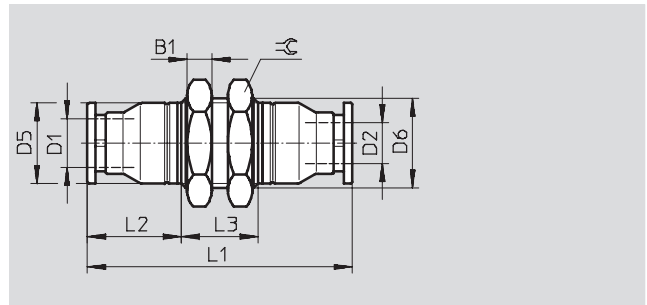
Push-in connector CRQS



Dimensions and ordering data								
Tubing O.D.	Nominal size	Tubing O.D.	D5	L1	Weight/pieces	Part No.	Type	PU*
D1	[mm]	D2	-∅		[g]			
4	2.4	4	9.8	37.4	9.2	130645	CRQS-4	1
6	3.7	6	11.8	40.3	14	130646	CRQS-6	1
8	5.8	8	13.8	44.5	18	130647	CRQS-8	1
10	6.6	10	16.8	51.9	29	130648	CRQS-10	1
12	7.9	12	19.8	55.6	45	130649	CRQS-12	1
16	10.5	16	23.7	66.4	64	130650	CRQS-16	1
Reducing								
6	2.3	4	11.8	38.7	11	130651	CRQS-6-4	1
8	3.7	6	13.8	42.2	15	130652	CRQS-8-6	1
10	5.4	8	16.8	48.2	22	130653	CRQS-10-8	1
12	8.1	10	19.8	53.8	34	130654	CRQS-12-10	1
16	7.3	12	23.7	61	50	130655	CRQS-16-12	1

* Packaging unit quantity

Push-in bulkhead connector CRQSS



Dimensions and ordering data													
Tubing O.D.	Nominal size	Tubing O.D.	B1	D5	D6	L1	L2	L3	∅	Weight/pieces	Part No.	Type	PU*
D1	[mm]	D2		∅	∅					[g]			
Metric thread with sealing ring													
4	2.4	4	4	9.8	M12x1	45.4	15.2	13	14	19	164210	CRQSS-4	1
6	3.7	6	4	11.8	M14x1	46.3	15.6	15	17	28	164211	CRQSS-6	1
8	5.7	8	4	13.8	M16x1	50.5	17.7	15	19	35	164213	CRQSS-8	1
10	6.7	10	5	16.8	M20x1	56.9	20	17	24	60	164215	CRQSS-10	1
12	7.9	12	6	19.8	M22x1	62.6	21.8	19	27	87	164217	CRQSS-12	1
16	10.4	16	6	23.7	M27x1.5	72.4	26.7	19	32	118	164219	CRQSS-16	1

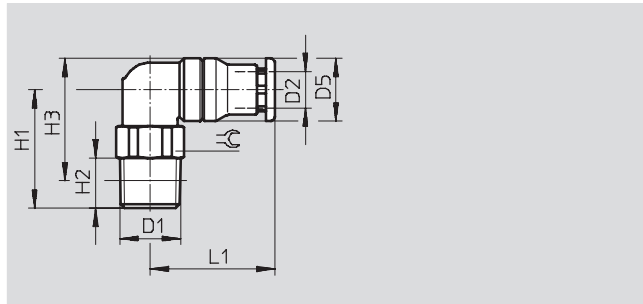
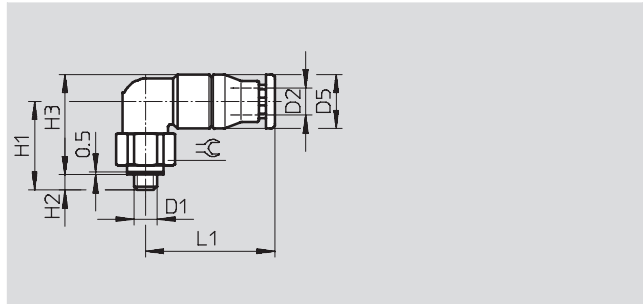
* Packaging unit quantity

Push-in fittings CRQS, Quick Star, stainless steel

Technical data

Push-in L-fitting CRQSL

360° rotatable
Male thread
with external hex



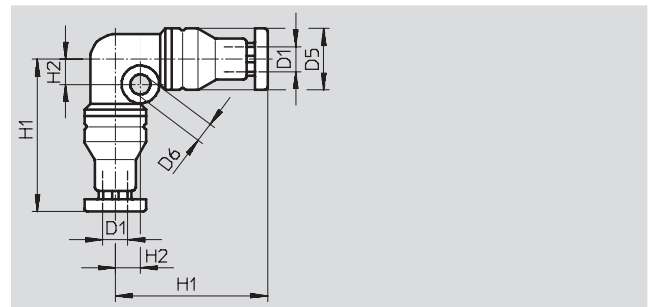
Dimensions and ordering data												
Connection	Nominal size	Tubing O.D.	D5	H1	H2	H3	L1	⌀	Weight/ pieces	Part No.	Type	PU*
D1	[mm]	D2	∅						[g]			
Metric thread with sealing ring												
M5x0.8	2	4	9.8	17	3	18.9	22.2	10	13	162870	CRQSL-M5-4	1
	2	6	11.8	19	3	21.9	23.6	12	19	162871	CRQSL-M5-6	1
R thread												
R $\frac{1}{8}$	2.2	4	9.8	19	8	19.9	22.2	10	15	132598	CRQSL- $\frac{1}{8}$ -4	☉ New 1
	3.9	6	11.8	20.5	8	22.4	23.6	12	20	162872	CRQSL- $\frac{1}{8}$ -6	1
	5.2	8	13.8	23	8	25.9	26.2	14	27	162873	CRQSL- $\frac{1}{8}$ -8	1
R $\frac{1}{4}$	3.6	6	11.8	23	11	22.9	23.6	14	27	132599	CRQSL- $\frac{1}{4}$ -6	☉ New 1
	5.1	8	13.8	25	11	25.9	26.2	14	31	162874	CRQSL- $\frac{1}{4}$ -8	1
	6	10	16.8	28.5	11	30.9	30.5	17	46	162875	CRQSL- $\frac{1}{4}$ -10	1
R $\frac{3}{8}$	6	10	16.8	28.5	12	30.6	30.5	17	52	162876	CRQSL- $\frac{3}{8}$ -10	1
	8.1	12	19.8	30	12	33.6	33.3	21	69	162877	CRQSL- $\frac{3}{8}$ -12	1
R $\frac{1}{2}$	7.9	12	19.8	34	15	35.7	33.3	22	89	162878	CRQSL- $\frac{1}{2}$ -12	1
	9.4	16	23.7	36	15	39.7	40.7	24	105	162879	CRQSL- $\frac{1}{2}$ -16	1

* Packaging unit quantity

Push-in fittings CRQS, Quick Star, stainless steel

Technical data

Push-in L-connector CRQSL



Dimensions and ordering data									
Tubing O.D.	Nominal size	D5	D6	H1	H2	Weight/piece	Part No.	Type	PU*
D1	[mm]	∅	∅			[g]			
4	2.1	9.8	3.2	24.2	4	13	130662	CRQSL-4	1
6	3.5	11.8	3.2	26.6	5	20	130663	CRQSL-6	1
8	5.1	13.8	3.2	29.7	6	27	130664	CRQSL-8	1
10	6.1	16.8	4.2	35	7	43	130665	CRQSL-10	1
12	7.8	19.8	4.2	37.8	8	62	130666	CRQSL-12	1
16	9.4	23.7	4.2	45.2	9,5	91	130667	CRQSL-16	1

* Packaging unit quantity

Push-in fittings CRQS, Quick Star, stainless steel

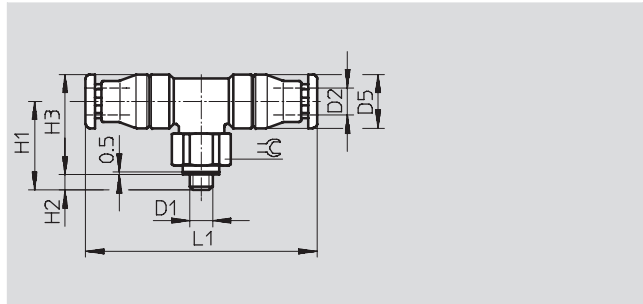
Technical data

Push-in T-fitting CRQST

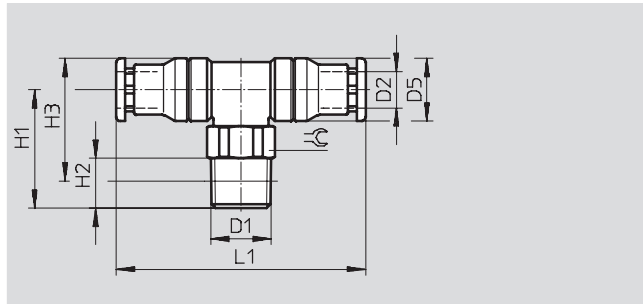
360° rotatable
Male thread
with external hex



M thread



R thread



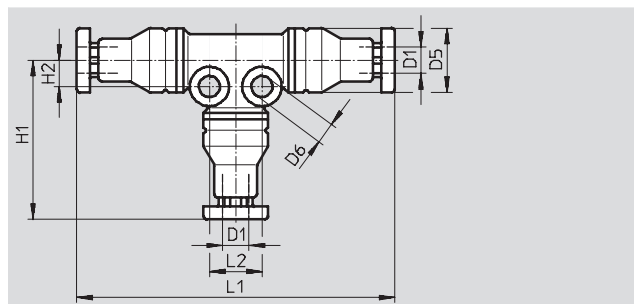
Dimensions and ordering data												
Connection	Nominal size	Tubing O.D.	D5	H1	H2	H3	L1	⌀	Weight/piece	Part No.	Type	PU*
D1	[mm]	D2	-∅						[g]			
Metric thread with sealing ring												
M5x0.8	2	4	9.8	18.9	3	17	44.4	10	17	164200	CRQST-M5-4	1
	2	6	11.8	21.9	3	19	47.3	12	25	164201	CRQST-M5-6	1
R thread												
R $\frac{1}{8}$	3.7	6	11.8	22.4	8	20.5	47.3	12	26	164202	CRQST- $\frac{1}{8}$ -6	1
	5	8	13.8	25.9	8	23	52.5	14	34	164203	CRQST- $\frac{1}{8}$ -8	1
R $\frac{1}{4}$	5	8	13.8	25.9	11	25	52.5	14	38	164204	CRQST- $\frac{1}{4}$ -8	1
	5.9	10	16.8	30.9	11	28.5	61	17	56	164205	CRQST- $\frac{1}{4}$ -10	1
R $\frac{3}{8}$	5.9	10	16.8	30.6	12	28.5	61	17	62	164206	CRQST- $\frac{3}{8}$ -10	1
	8.1	12	19.8	33.6	12	30	66.6	21	85	164207	CRQST- $\frac{3}{8}$ -12	1
R $\frac{1}{2}$	8.1	12	19.8	35.7	15	34	66.6	22	106	164208	CRQST- $\frac{1}{2}$ -12	1
	9.5	16	23.7	39.7	15	36	81.4	24	128	164209	CRQST- $\frac{1}{2}$ -16	1

* Packaging unit quantity

Push-in fittings CRQS, Quick Star, stainless steel

Technical data

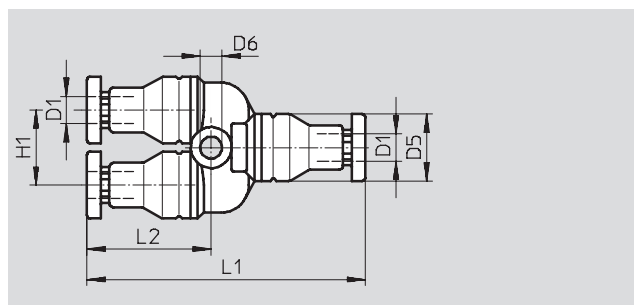
Push-in T-connector CRQST



Dimensions and ordering data											
Tubing O.D.	Nominal size	D5	D6	H1	H2	L1	L2	Weight/ piece	Part No.	Type	PU*
D1	[mm]	∅	∅					[g]			
4	2.1	9.8	3.2	24.2	4	48.4	8	19	130668	CRQST-4	1
6	3.5	11.8	3.2	26.7	5	53.3	10	28	130669	CRQST-6	1
8	5	13.8	3.2	29.8	6	59.5	12	38	130670	CRQST-8	1
10	6.1	16.8	4.2	35	7	69.9	14	60	130671	CRQST-10	1
12	8	19.8	4.2	37.8	8	75.6	16	87	130672	CRQST-12	1
16	9.7	23.7	4.2	45.2	9.5	90.4	19	126	130673	CRQST-16	1

* Packaging unit quantity

Push-in Y-connector CRQSY



Dimensions and ordering data									
Tubing O.D.	Nominal size	D5	D6	H1	L1	Weight/piece	Part No.	Type	PU*
D1	[mm]	∅	∅			[g]			
4	2	9.8	3.2	11	40.8	15	130656	CRQSY-4	1
6	3.3	11.8	3.2	13	44.3	24	130657	CRQSY-6	1
8	4.9	13.8	3.2	15	51	34	130658	CRQSY-8	1
10	5.6	16.8	4.3	18	58.5	52	130659	CRQSY-10	1
12	7	19.8	4.3	21	64.6	79	130660	CRQSY-12	1
16	8.2	23.7	4.3	25	78.4	121	130661	CRQSY-16	1

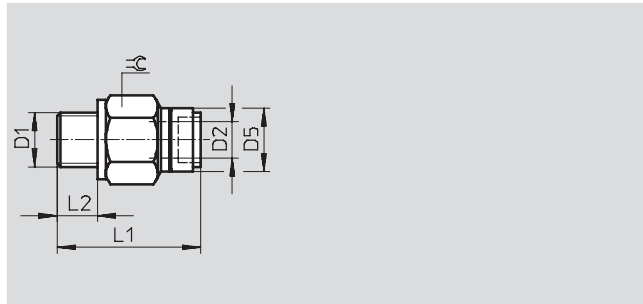
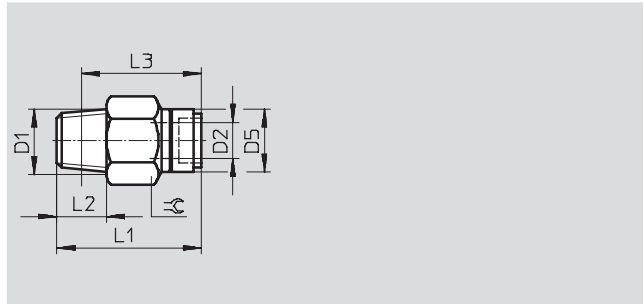
* Packaging unit quantity


Push-in fittings QS-V0, Quick Star, flame-retardant

Technical data

Push-in fitting QS-V0

Male thread
with external hex



Dimensions and ordering data												
Connection	Nominal size	Tubing O.D.	D5	L1	L2	L3	\approx	Weight/ piece	Part No.	Type	PU*	
D1	[mm]	D2	∅					[g]				
R thread												
R $\frac{1}{8}$	2.6	4	12	26.1	8	22.1	10	8.7	132888	QS-V0- $\frac{1}{8}$ -4	 New	10
	4	6	14	28	8	24	12	10	160500	QS-V0- $\frac{1}{8}$ -6		10
	5	8	16	33.5	8	29.5	14	16.5	160501	QS-V0- $\frac{1}{8}$ -8		10
R $\frac{1}{4}$	4	6	14	30	11	24	14	18	160502	QS-V0- $\frac{1}{4}$ -6		10
	5	8	16	32	11	26	14	16.5	160503	QS-V0- $\frac{1}{4}$ -8		10
	6.7	10	19	35.5	11	29.5	17	21.5	160504	QS-V0- $\frac{1}{4}$ -10		10
	6.7	12	22	41.5	11	35.5	21	44	160505	QS-V0- $\frac{1}{4}$ -12		10
R $\frac{3}{8}$	5	8	16	29.5	12	23	17	25	160506	QS-V0- $\frac{3}{8}$ -8		10
	6.7	10	19	35	12	28.5	17	27.5	160507	QS-V0- $\frac{3}{8}$ -10		1
	8.7	12	22	37.5	12	31	21	45	160508	QS-V0- $\frac{3}{8}$ -12		1
R $\frac{1}{2}$	6.7	10	19	36	15	28	21	50.5	160509	QS-V0- $\frac{1}{2}$ -10		1
	8.7	12	22	39.5	15	31.5	21	68	160510	QS-V0- $\frac{1}{2}$ -12		1
G thread with sealing ring												
G $\frac{1}{8}$	4	6	14	26.6	5.1	-	13	9.8	186314	QS-V0-G $\frac{1}{8}$ -6		10
	5	8	16	31.9	5.1	-	14	15	186315	QS-V0-G $\frac{1}{8}$ -8		10
G $\frac{1}{4}$	4	6	14	27.1	5.6	-	17	19	186316	QS-V0-G $\frac{1}{4}$ -6		10
	5	8	16	27.9	5.6	-	17	17	186317	QS-V0-G $\frac{1}{4}$ -8		10
	6.7	10	19	34.9	5.6	-	17	23	186318	QS-V0-G $\frac{1}{4}$ -10		10
	6.7	12	22	40.2	5.6	-	21	52	186319	QS-V0-G $\frac{1}{4}$ -12		10
G $\frac{3}{8}$	5	8	16	27.6	6.6	-	19	25	186320	QS-V0-G $\frac{3}{8}$ -8		10
	6.7	10	19	31.4	6.6	-	19	26	186321	QS-V0-G $\frac{3}{8}$ -10		10
	8.7	12	22	37.6	6.6	-	21	39	186322	QS-V0-G $\frac{3}{8}$ -12		10
G $\frac{1}{2}$	6.7	10	19	32	7.6	-	24	53	186323	QS-V0-G $\frac{1}{2}$ -10		1
	8.7	12	22	34.1	7.6	-	24	48	186324	QS-V0-G $\frac{1}{2}$ -12		1

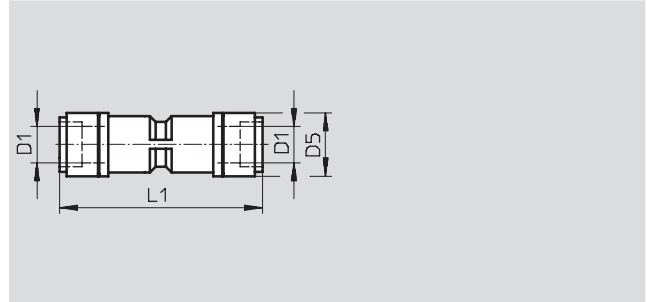
* Packaging unit quantity


Push-in fittings QS-V0, Quick Star, flame-retardant

Technical data

FESTO

Push-in connector QS-V0



Dimensions and ordering data							
Tubing O.D. D1	Nominal size [mm]	D5	L1	Weight/piece [g]	Part No.	Type	PU*
4	2.6	12	41	6	132890	QS-V0-4  New	10
6	4	14	45	14	160546	QS-V0-6	10
8	5	16	48	20	160547	QS-V0-8	10
10	6.7	19	54	31	160548	QS-V0-10	10
12	8.7	22	58.5	46	160549	QS-V0-12	10

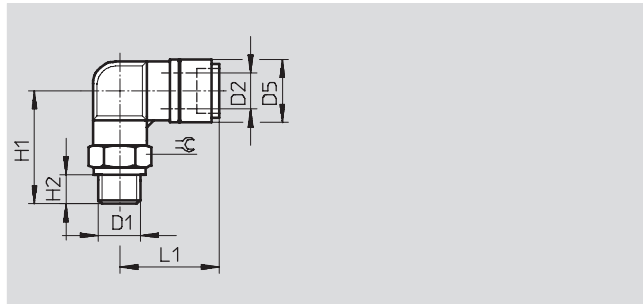
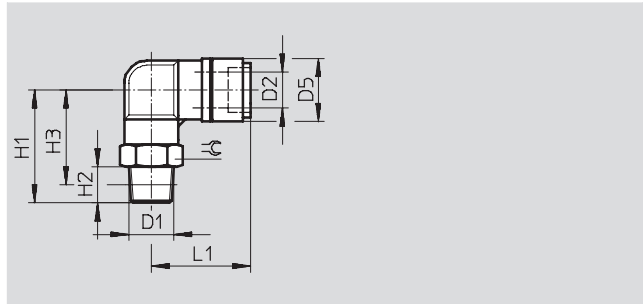
* Packaging unit quantity


Push-in fittings QS-V0, Quick Star, flame-retardant

Technical data

Push-in L-fitting QSL-V0

Male thread
with external hex



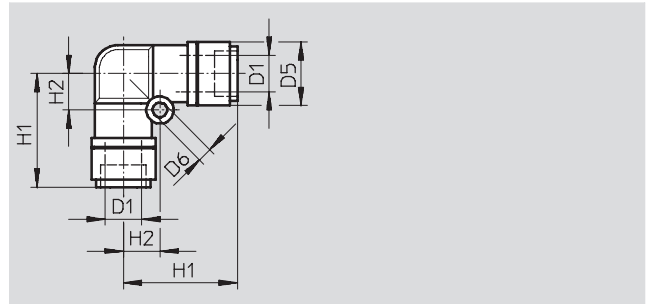
Dimensions and ordering data													
Connection	Nominal size	Tubing O.D.	D5	H1	H2	H3	L1	$\approx \varnothing$	Weight /piece	Part No.	Type	PU*	
D1	[mm]	D2	∅						[g]				
R thread													
R $\frac{1}{8}$	2.3	4	12	23.3	8	19.3	23.1	10	12	132891	QSL-V0- $\frac{1}{8}$ -4	 New	10
	3.6	6	14	25	8	20	25	12	15	160511	QSL-V0- $\frac{1}{8}$ -6		10
	4.6	8	16	28	8	24	28	14	19.5	160512	QSL-V0- $\frac{1}{8}$ -8		10
R $\frac{1}{4}$	3.6	6	14	28	11	22	25	14	24	160513	QSL-V0- $\frac{1}{4}$ -6		10
	4.6	8	16	31	11	25	28	14	25	160514	QSL-V0- $\frac{1}{4}$ -8		10
	6.2	10	19	36	11	30	31.5	17	35	160515	QSL-V0- $\frac{1}{4}$ -10		10
	6.2	12	22	38	11	32	34.5	21	52	160516	QSL-V0- $\frac{1}{4}$ -12		1
R $\frac{3}{8}$	4.6	8	16	33	12	26.5	28	17	37.5	160517	QSL-V0- $\frac{3}{8}$ -8		10
	6.2	10	19	37	12	30.5	31.5	17	44	160518	QSL-V0- $\frac{3}{8}$ -10		10
	7.7	12	22	39	12	32.5	34.5	21	53.5	160519	QSL-V0- $\frac{3}{8}$ -12		1
R $\frac{1}{2}$	6.2	10	19	40	15	32	31.5	21	65	160520	QSL-V0- $\frac{1}{2}$ -10		1
	7.7	12	22	42	15	34	34.5	21	76.5	160521	QSL-V0- $\frac{1}{2}$ -12		1
G thread with sealing ring													
G $\frac{3}{8}$	3.6	6	14	24	5.1	-	24.9	13	15	186325	QSL-V0-G $\frac{3}{8}$ -6		10
	4.6	8	16	27	5.1	-	27.9	14	19	186326	QSL-V0-G $\frac{3}{8}$ -8		10
G $\frac{1}{4}$	3.6	6	14	25.5	5.6	-	24.9	17	25	186327	QSL-V0-G $\frac{1}{4}$ -6		10
	4.6	8	16	28.5	5.6	-	27.9	17	27	186328	QSL-V0-G $\frac{1}{4}$ -8		10
	6.2	10	19	32.5	5.6	-	31.4	17	33	186329	QSL-V0-G $\frac{1}{4}$ -10		10
	6.2	12	22.2	34.5	5.6	-	34.7	21	53	186330	QSL-V0-G $\frac{1}{4}$ -12		1
G $\frac{3}{8}$	4.6	8	16	30	6.6	-	27.9	19	40	186331	QSL-V0-G $\frac{3}{8}$ -8		10
	6.2	10	19	34	6.6	-	31.4	19	43	186332	QSL-V0-G $\frac{3}{8}$ -10		10
	7.7	12	22.2	36	6.6	-	34.7	21	47	186333	QSL-V0-G $\frac{3}{8}$ -12		1
G $\frac{1}{2}$	8.2	10	19	37	7.6	-	31.4	24	69	186334	QSL-V0-G $\frac{1}{2}$ -10		1
	7.7	12	22.2	39	7.6	-	34.7	24	72	186335	QSL-V0-G $\frac{1}{2}$ -12		1


* Packaging unit quantity

Push-in fittings QS-V0, Quick Star, flame-retardant

Technical data

Push-in L-connector QSL-V0



Dimensions and ordering data									
Tubing O.D.	Nominal size	D5	D6	H1	H2	Weight/piece	Part No.	Type	PU*
D1	[mm]	∅	∅			[g]			
4	2.3	12	3.2	22	6.5	6.4	132893	QSL-V0-4  New	10
6	3.6	14	3.2	25	8	15	160540	QSL-V0-6	10
8	4.6	16	4.2	27.5	10	21.5	160541	QSL-V0-8	10
10	6.2	19	4.2	31.5	12	32.5	160542	QSL-V0-10	10
12	7.7	22.2	4.2	34.5	14	48	160543	QSL-V0-12	10

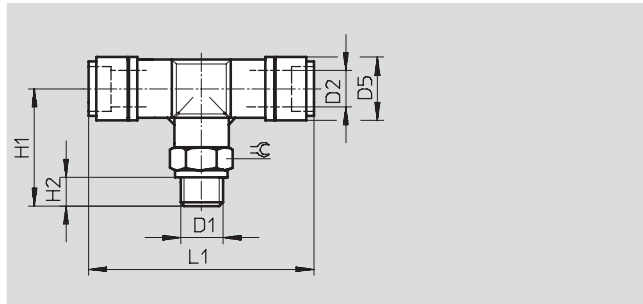
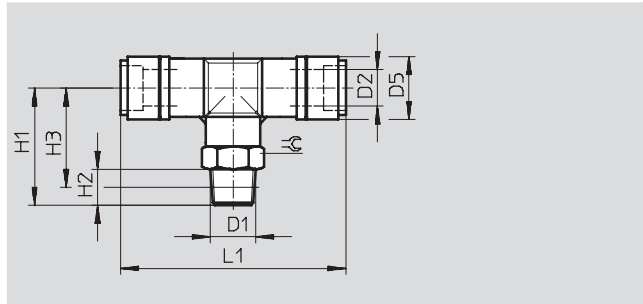
* Packaging unit quantity


Push-in fittings QS-V0, Quick Star, flame-retardant

Technical data

Push-in T-fitting QST-V0

Male thread
with external hex



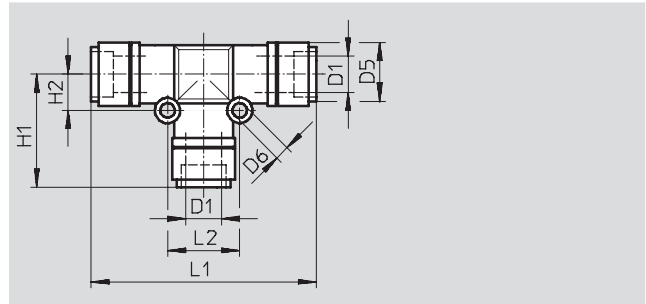
Dimensions and ordering data													
Connection	Nominal size	Tubing O.D.	D5	H1	H2	H3	L1	≈C	Weight /piece [g]	Part No.	Type	PU*	
D1	[mm]	D2	∅										
R thread													
R $\frac{1}{8}$	2.3	4	12	23.3	8	16.2	44	10	15	132894	QST-V0- $\frac{1}{8}$ -4	 New	10
	4.7	6	14	26	8	22	50	12	19	160522	QST-V0- $\frac{1}{8}$ -6		10
	5.4	8	16	28	8	24	55	14	24.5	160523	QST-V0- $\frac{1}{8}$ -8		10
R $\frac{1}{4}$	5.7	6	14	29	11	23	50	14	28	160524	QST-V0- $\frac{1}{4}$ -6		10
	6	8	16	31	11	25	55	14	30	160525	QST-V0- $\frac{1}{4}$ -8		10
	7.3	10	19	36	11	30	61	17	43	160526	QST-V0- $\frac{1}{4}$ -10		10
R $\frac{3}{8}$	8.8	12	22	38	11	32	67	21	64	160527	QST-V0- $\frac{1}{4}$ -12		10
	7.2	8	16	33	12	26.5	55	17	42.5	160528	QST-V0- $\frac{3}{8}$ -8		10
	8	10	19	37	12	30.5	61	17	52	160529	QST-V0- $\frac{3}{8}$ -10		10
R $\frac{1}{2}$	8.8	12	22	39	12	32.5	67	21	65.5	160530	QST-V0- $\frac{3}{8}$ -12		1
	9.6	10	19	40	15	31.5	61	21	73	160531	QST-V0- $\frac{1}{2}$ -10		1
R $\frac{1}{2}$	9.9	12	22	42	15	34	67	21	88.5	160532	QST-V0- $\frac{1}{2}$ -12		1
	G thread with sealing ring												
G $\frac{1}{8}$	4.7	6	14	25	5.1	-	50.5	13	19	186336	QST-V0-G $\frac{1}{8}$ -6		10
	5.4	8	16	25.3	5.1	-	55.2	14	23	186337	QST-V0-G $\frac{1}{8}$ -8		10
G $\frac{1}{4}$	5.7	6	14	26.5	5.6	-	50.5	17	29	186338	QST-V0-G $\frac{1}{4}$ -6		10
	6	8	16	26.8	5.6	-	55.2	17	32	186339	QST-V0-G $\frac{1}{4}$ -8		10
	7.3	10	19	32.5	5.6	-	60.8	17	41	186340	QST-V0-G $\frac{1}{4}$ -10		10
G $\frac{3}{8}$	8.8	12	22.2	34.5	5.6	-	67.4	21	64	186341	QST-V0-G $\frac{1}{4}$ -12		10
	7.2	8	16	28.3	6.6	-	55.2	19	45	186342	QST-V0-G $\frac{3}{8}$ -8		10
	8	10	19	34	6.6	-	60.8	19	51	186343	QST-V0-G $\frac{3}{8}$ -10		10
G $\frac{1}{2}$	8.8	12	22.2	36	6.6	-	67.4	21	59	186344	QST-V0-G $\frac{3}{8}$ -12		1
	9.6	10	19	37	7.6	-	60.8	24	77	186345	QST-V0-G $\frac{1}{2}$ -10		1
G $\frac{1}{2}$	9.9	12	22.2	39	7.6	-	67.4	24	84	186346	QST-V0-G $\frac{1}{2}$ -12		1


* Packaging unit quantity

Push-in fittings QS-V0, Quick Star, flame-retardant

Technical data

Push-in T-connector QST-V0



Dimensions and ordering data												
Tubing O.D.	Nominal size	D5	D6	H1	H2	L1	L2	Weight/ piece	Part No.	Type	PU*	
D1	[mm]	∅	∅					[g]				
4	2.6	12	3.2	22	6.5	44	13	9.4	132896	QST-V0-4	 New	10
6	4	14	3.2	25	8	50	16	21.5	160533	QST-V0-6		10
8	5	16	3.2	27.5	9	55	18	31.5	160534	QST-V0-8		10
10	6.7	19	4.2	30.5	12	61	24	48	160535	QST-V0-10		10
12	8.7	22	4.2	33.5	14	67	28	70.5	160536	QST-V0-12		1

* Packaging unit quantity

Push-in fittings QS, Quick Star

Accessories

FESTO

Release tool QSO

Release aid for QS push-in fittings



Dimensions and ordering data				
Tubing O.D.	Weight/piece [g]	Part No.	Type	PU*
3 ... 10	13	158419	QSO	1

* Packaging unit quantity