


Cartridge fittings QSP, Quick Star


Technical data

Cartridge fittings QSP10

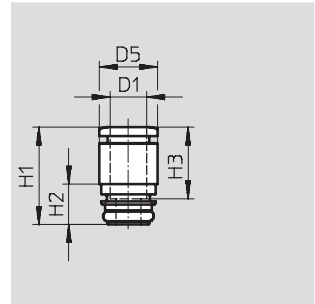
Material:

- Housing: Nickel plated brass

 - Ambient temperature
0 ... 60 °C

 - Temperature dependent
operating pressure
-0,95 ... +10 bar

Certification:
Germanischer Lloyd




Dimensions and ordering data							
Tubing O.D.	D5	H1	H2	H3	Part No.	Type	PU ¹⁾
D1	∅						
4	9.8	16.2	6.7	11.6	172972	QSP10-4	10
6	9.8	16.2	6.7	11.9	172972	QSP10-6	10


1) Packaging unit quantity.

Cartridge fittings QSPL10

Material:

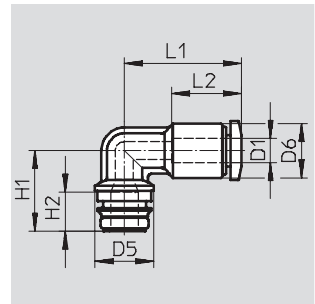
- Housing: Polyamide, fibreglass reinforced
- Release ring: Polyacetate
- Tubing seal: Nitrile rubber
- Tube retaining claw: High-alloy stainless steel

 - Ambient temperature
-5 ... +60 °C

 - Temperature dependent
operating pressure
-0,95 ... +10 bar

Note on materials:
Conforms to RoHS

Certification:
Germanischer Lloyd



Dimensions and ordering data												
Tubing O.D.	Nominal size	D5	D6	H1	H2	L1	L2	CRC ¹⁾	Weight/piece	Part No.	Type	PU ²⁾
D1	[mm]	∅	∅						[g]			
4	2.3	9.75	9	13.4	6.7	19.4	19.4	1	2.3	132601	QSPL10-4	10
6	3.6	9.75	11	14.4	6.7	20.3	11.9	1	2.9	132602	QSPL10-6	10

1) Corrosion resistance class 1 to Festo standard 940 070
Components requiring low corrosion resistance. Transport and storage protection. Parts that do not have primarily decorative surface requirements, e.g. in internal areas that are not visible or behind covers.

2) Packaging unit quantity.


Cartridge fittings QSP, Quick Star


Technical data

Cartridge fittings QSPLL10

Material:

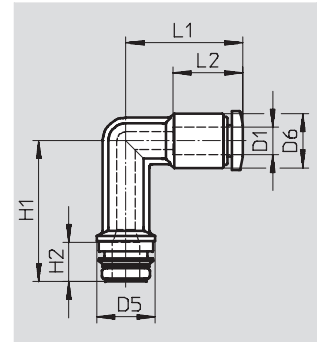
- Housing: Polyamide, fibreglass reinforced
- Release ring: Polyacetate
- Tubing seal: Nitrile rubber
- Tube retaining claw: High-alloy stainless steel

-  - Ambient temperature
-5 ... +60 °C

-  - Temperature dependent operating pressure
-0,95 ... +10 bar

Note on materials:
Conforms to RoHS

Certification:
Germanischer Lloyd



Dimensions and ordering data												
Tubing O.D.	Nominal size	D5	D6	H1	H2	L1	L2	CRC ¹⁾	Weight/piece	Part No.	Type	PU ²⁾
D1	[mm]	∅	∅						[g]			
4	2.3	9.75	9	23.4	6.7	19.4	11.6	1	2.5	132603	QSPLL10-4	10
6	3.6	9.75	11	26.4	6.7	20.3	11.9	1	3.4	132604	QSPLL10-6	10

1) Corrosion resistance class 1 to Festo standard 940 070
Components requiring low corrosion resistance. Transport and storage protection. Parts that do not have primarily decorative surface requirements, e.g. in internal areas that are not visible or behind covers.

2) Packaging unit quantity.

Cartridge fittings QSP, Quick Star


Technical data


FESTO

Cartridge fittings QSP18

Material:

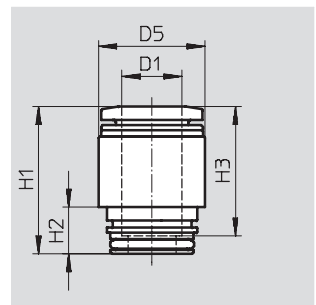
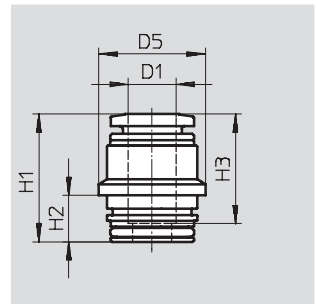
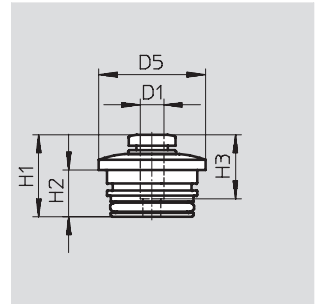
- Housing: Polyamide, fibreglass reinforced
- Release ring: Polyacetate
- Tubing seal: Nitrile rubber
- Tube retaining claw: High-alloy stainless steel

-  - Ambient temperature
-5 ... +60 °C

-  - Temperature dependent operating pressure
-0.95 ... +14 bar

Note on materials:
Conforms to RoHS

Certification:
Germanischer Lloyd



Dimensions and ordering data										
Tubing O.D.	Nominal size	D5	H1	H2	H3	CRC ¹⁾	Weight/piece	Part No.	Type	PU ²⁾
D1	[mm]	∅					[g]			
4	2.3	17.7	13.6	7.75	11.6	1	2.8	130839	QSP18-4	10
6	3.8	17.7	13.7	7.75	11.9	1	3	130840	QSP18-6	10
8	5.5	17.7	20.7	7.75	18.2	1	5.4	130841	QSP18-8	10
10	6.7	17.7	24.5	7.75	20.2	1	8.1	130842	QSP18-10	10


1) Corrosion resistance class 1 to Festo standard 940 070
Components requiring low corrosion resistance. Transport and storage protection. Parts that do not have primarily decorative surface requirements, e.g. in internal areas that are not visible or behind covers.
2) Packaging unit quantity.

Cartridge fittings QSP, Quick Star

Technical data




Cartridge fittings QSPL18

 - Ambient temperature
-5 ... +60 °C

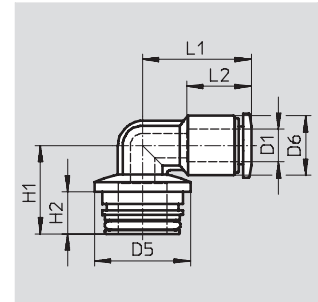
Material:

- Housing: Polyamide, fibreglass reinforced
- Release ring: Polyacetate
- Tubing seal: Nitrile rubber
- Tube retaining claw: High-alloy stainless steel


 - Temperature dependent operating pressure
-0.95 ... +14 bar

Note on materials:
Conforms to RoHS

Certification:
Germanischer Lloyd



Dimensions and ordering data


Tubing O.D.	Nominal size	D5	D6	H1	H2	L1	L2	CRC ¹⁾	Weight/piece	Part No.	Type	PU ²⁾
D1	[mm]	∅	∅						[g]			
4	2.3	17.7	9	15.3	7.75	19.4	11.6	1	3.2	130843	QSPL18-4	10
6	3.6	17.7	11	16.3	7.75	20.3	11.9	1	3.9	130844	QSPL18-6	10
8	5.2	17.7	15	18.3	7.75	27.2	18.2	1	7.5	130845	QSPL18-8	10
10	-	17.7	17.7	19.6	7.75	29.5	20.2	1	11	132639	QSPL18-10 	10

1) Corrosion resistance class 1 to Festo standard 940 070

Components requiring low corrosion resistance. Transport and storage protection. Parts that do not have primarily decorative surface requirements, e.g. in internal areas that are not visible or behind covers.


2) Packaging unit quantity.

Cartridge fittings QSPLL18

 - Ambient temperature
-5 ... +60 °C

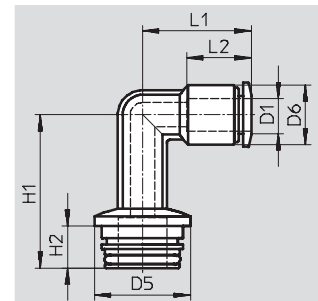
Material:

- Housing: Polyamide, fibreglass reinforced
- Release ring: Polyacetate
- Tubing seal: Nitrile rubber
- Tube retaining claw: High-alloy stainless steel


 - Temperature dependent operating pressure
-0.95 ... +14 bar

Note on materials:
Conforms to RoHS

Certification:
Germanischer Lloyd



Dimensions and ordering data

Tubing O.D.	Nominal size	D5	D6	H1	H2	L1	L2	CRC ¹⁾	Weight/piece	Part No.	Type	PU ²⁾
D1	[mm]	∅	∅						[g]			
4	2.3	17.7	9	25.3	7.75	19.4	11.6	1	3.5	130846	QSPLL18-4	10
6	3.6	17.7	11	38.3	7.75	20.3	11.9	1	4.3	130847	QSPLL18-6	10
8	5.2	17.7	15	34.3	7.75	27.2	18.2	1	8.1	130848	QSPLL18-8	10
10	-	17.7	17.7	38.3	7.75	29.5	20.2	1	12.1	132640	QSPLL18-10 	10

1) Corrosion resistance class 1 to Festo standard 940 070

Components requiring low corrosion resistance. Transport and storage protection. Parts that do not have primarily decorative surface requirements, e.g. in internal areas that are not visible or behind covers.

2) Packaging unit quantity.