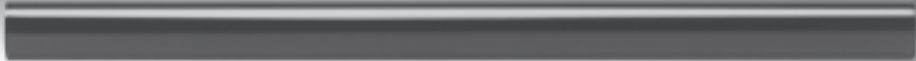



Compressed air piping PQ




Compressed air piping PQ

Technical data

FESTO

-  - Temperature range
-30 ... +75 °C

-  - Operating pressure
-0.95 ... +7 bar



Plastic pipe PQ-PA

- Rigid pipe made from high quality polyamide; corrosion resistant, flexible and maintenance-free
- Smooth inside wall provides for optimum flow conditions

Aluminium pipe PQ-AL

- Rigid, corrosion resistant aluminium pipe
- Smooth inside wall provides for optimum flow conditions

General technical data						
Type		Polyamide PQ-PA				
		12x1.5	15x1.5	18x2	22x2	28x2.5
Operating medium		Suitable for compressed air, vacuum and liquids				
O.D.	[mm]	12	15	18	22	28
I.D.	[mm]	9	12	14	18	23
Weight	[kg/m]	0.051	0.065	0.103	0.130	0.204
Material		Polyamide				
Colour		Black				



General technical data						
Type		Aluminium PQ-AL				
		12x1	15x1	18x1	22x1	28x1.5
Operating medium		Suitable for compressed air, vacuum and liquids				
O.D.	[mm]	12	15	18	22	28
I.D.	[mm]	10	13	16	20	25
Weight	[kg/m]	0.093	0.119	0.144	0.178	0.337
Material		Wrought aluminium alloy				
Colour		Silver				

Operating conditions			Polyamide PQ-PA	Aluminium PQ-AL
Operating pressure	[bar]		-0.95 ... +7 bar	-0.95 ... +7 bar
Ambient temperature	[°C]		-25 ... +75	-30 ... +75
Temperature of medium	[°C]		-25 ... +75	-25 ... +75

Compressed air piping PQ

Technical data

FESTO

Ordering data				
	O.D. [mm]	Part No.	Type	PU ¹⁾ [mm]
Polyamide				
	12	177 728	PQ-PA-12x1,5x3000	3,000
	15	177 729	PQ-PA-15x1,5x3000	3,000
	18	177 730	PQ-PA-18x2x3000	3,000
	22	177 731	PQ-PA-22x2x3000	3,000
	28	194 594	PQ-PA-28x2,5x3000	3,000
Aluminium				
	12	177 732	PQ-AL-12x1x3000	3,000
	15	177 733	PQ-AL-15x1x3000	3,000
	18	177 734	PQ-AL-18x1x3000	3,000
	22	177 735	PQ-AL-22x1x3000	3,000
	28	194 593	PQ-AL-28x1,5x3000	3,000

1) Packaging unit

Compressed air piping PQ

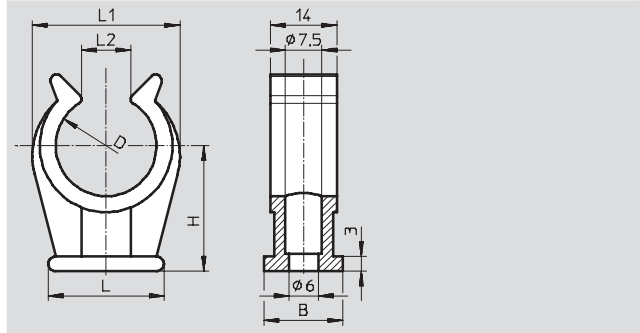
Accessories

Pipe clamp PQ-RK-...-B

Suitable for piping with outside diameters of 12, 15, 18, 22 and 28 mm.

Material:
Polypropylen
RoHS-conform

Temperature range:
-25 ... +85 °C



Dimensions and ordering data										
Nominal size [mm]	D	B	H	L	L1	L2	Weight/ pieces [g]	Part No.	Type	PU ¹⁾
12	11.5	16.5	17.8	17.5	20	9	2.4	550 595	PQ-RK-12-B	10
15	15	16	17.5	22.5	23	10	3.2	550 596	PQ-RK-15-B	10
18	17	16	23.5	22.5	25	10	4.0	550 597	PQ-RK-18-B	10
22	20.5	16	25.2	23.5	30	10	5.1	550 598	PQ-RK-22-B	10
28	27.8	16	32.5	26	39	15	8.4	550 599	PQ-RK-28-B	1

1) Packaging unit quantity

Pipe cutter ZR

The pipe cutter ZR is used for cutting to length PQ-PA plastic piping with outside diameters of up to 28 mm. It is not suitable for tubing with metal casing.



Ordering data		
	Part No.	Type
Pipe cutter	194 592	ZR