

Pressure and vacuum switches PEV/VPEV, PE converters PE/PEN/VPE

Product overview



- Mechanical pressure and vacuum switches with adjustable switching point
- PE converter
- Designs with adjustable hysteresis
- Designs with switching status display
- Variant with scale for pressure adjustment
- Wide range of mounting options

Detailed product information

→ www.festo.com/catalogue/pev

Product overview							
Method of measurement	Operating pressure [bar]	Type	Pneumatic connection	Type of mounting	Max. switching output voltage		→ Page/ Internet
					[V DC]	[V AC]	
Pressure switches							
Pneumatic/electrical pressure transducer	1 ... 12	PEV-1/4-B-M12	G1/4	With through-holes	48	48	2
		PEV-1/4-B			125	250	
		PEV-1/4-SC-OD			125	250	
	0 ... 8	PEV-W	M5	Via DIN H-rail	10 ... 30	–	4
1 ... 10	PEV-1/4-A	G1/4	Screw-in	250	250	6	
Vacuum switches							
Pneumatic/electrical pressure transducer	–1 ... 1.6	VPEV-1/8-M12	G1/8	Via through-hole	48	48	2
		VPEV-1/8			125	250	
	–1 ... 0	VPEV-W	M5	Via DIN H-rail	10 ... 30	–	4
PE converter							
Pneumatic/electrical differential pressure switch	–1 ... +8	PEN-M5	M5	On mounting frame 2N	10 ... 30	–	7
Pneumatic/electrical pressure transducer	0 ... 8	PE-1/8-2N	G1/8	On mounting frame 2N	12 ... 250	12 ... 250	
	–0.95 ... 0	VPE-1/8-2N	G1/8	On mounting frame 2N	12 ... 250	12 ... 250	

Pressure and vacuum switches PEV/VPEV, with through-holes

FESTO

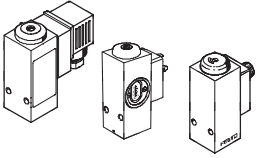

Type codes, technical data

Type codes	
PEV - 1/4 - B - [] - [] - [] - []	
Type	
PEV	Pressure switch
VPEV	Vacuum switch
Pneumatic connection	
1/8	G1/8
1/4	G1/4
Generation	
B	B series
Electrical connection	
-	Plug, square design to EN 43 650, type A
M12	Plug, M12x1, 4-pin, round design
Setting options	
SC	Scale for pressure adjustment
Plug socket	
-	Included in scope of delivery
OD	Not included in scope of delivery
Note on materials	
-	Not free of copper and PTFE
CT	Free of copper and PTFE

Technical data						
Type		PEV-1/4-B-M12	PEV-1/4-B(-OD) PEV-1/4-SC-OD	PEV-1/4-B-CT PEV-1/4-B-OD-CT	VPEV-1/8-M12	VPEV-1/8
Design						
Pneumatic connection		G1/4			G1/8	
Electrical data						
Max. switching output voltage	[V DC]	48	125	125	48	125
	[V AC]	48	250	250	48	250
Switching element function		Changeover switch				
Max. output current	[mA]	5,000			-	
Protection against short circuit		No				
Protection against polarity reversal		Yes				
Protection class		IP65				
Operating and environmental conditions						
Operating medium		Filtered compressed air, lubricated or unlubricated Water Mineral oil			Filtered compressed air, lubricated or unlubricated Vacuum, lubricated or unlubricated	
Operating pressure	[bar]	1 ... 12			-1 ... +1.6	
Ambient temperature	[°C]	-20 ... +80				
CE mark (see declaration of conformity)		In accordance with EU Low Voltage Directive				
Certification		CCC				
		c UL us - Recognized (OL)	-		c UL us - Recognized (OL)	-
Materials						
Housing		Wrought aluminium alloy				
Note on materials		RoHS-compliant	-		RoHS-compliant	

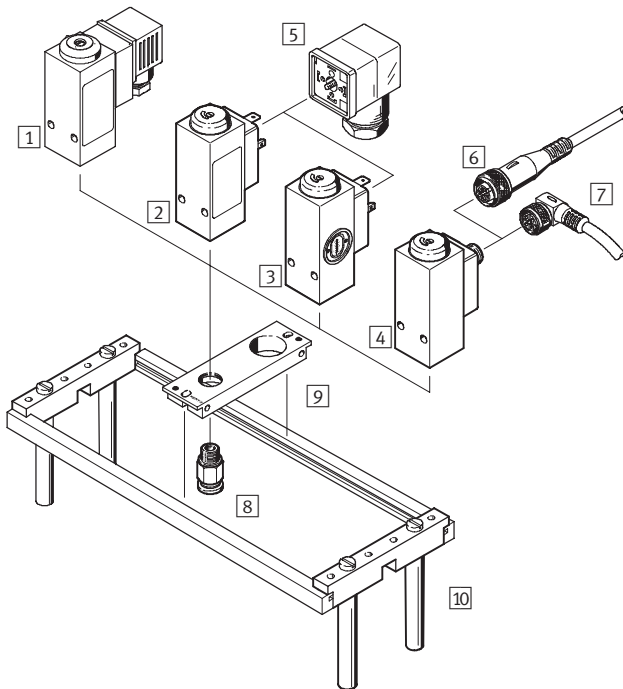
Pressure and vacuum switches PEV/VPEV, with through-holes

Technical data, peripherals overview

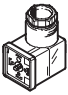
Ordering data						
Description	Electrical connection	Adjustable hysteresis	Visual scale for pressure adjustment	Plug socket in scope of delivery	Part No.	Type
Pressure switches						
	Plug, square design to DIN 43650, type A	■	-	■	10 773	PEV-1/4-B
		■	-	■	165 869	PEV-1/4-B-CT ¹⁾
		■	-	-	175 250	PEV-1/4-B-OD
		■	-	-	175 251	PEV-1/4-B-OD-CT ¹⁾
		-	■	-	161 760	PEV-1/4-SC-OD
Plug M12x1, 4-pin		■	-	-	192 488	PEV-1/4-B-M12
Vacuum switches						
	Plug, square design to DIN 43650, type A	■	-	■	150 261	VPEV-1/8
		■	-	-	192 489	VPEV-1/8-M12



1) Free of copper and PTFE


Peripherals overview

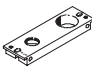
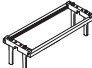


Accessories	
1	Pressure switch PEV-1/4-B-..., vacuum switch VPEV-1/8
2	Pressure switch PEV-1/4-B-OD...
3	Pressure switch PEV-1/4-SC-OD... with scale for pressure adjustment
4	Pressure switch PEV-1/4-B-M12, vacuum switch VPEV-1/8-M12
5	Plug socket PEV-1/4-WD-LED... with switching status display Plug socket MSSD-C-4P without switching status display
6	Connecting cable NEBU-M12G5-... with straight socket
7	Connecting cable NEBU-M12W5-... with angled socket
8	Push-in fitting QS-...
9	Mounting plate APL-2N-PEV
10	Mounting frame NRRQ-2N

Ordering data – Plug sockets			
Description	Part No.	Type	
	164 274	PEV-1/4-WD-LED-24	
	164 275	PEV-1/4-WD-LED-230	
Without switching status display	171 157	MSSD-C-4P	

Ordering data – Connecting cables			
Technical data → Internet: nebu			
	Number of wires	Cable length [m]	Part No. Type
M12x1, straight socket			
	4	5	541 328 NEBU-M12G5-K-5-LE4
M12x1, angled socket			
	4	5	541 329 NEBU-M12W5-K-5-LE4

Ordering data – Push-in fittings		
Technical data → Internet: quick star		
	Part No.	Type
	186 097	QS-G1/4-6
	186 099	QS-G1/4-8

Ordering data – Mounting attachments		
	Part No.	Type
	9 349	APL-2N-PEV
	9 365	NRRQ-2N
	11 571	NRW-9/1,5-B

Pressure and vacuum switches PEV-W/VPEV-W, DIN H-rail mounting

FESTO

Type codes, technical data

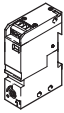
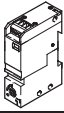
Type codes

		PEV-W	-	KL	-	LED	-	GH
Type								
PEV-W	Pressure switch							
VPEV-W	Vacuum switch							
Electrical connection								
KL	Screw terminal, 4-pin							
S	Plug, M8x1, 4-pin							
Switching status display								
LED	Yellow LED							
Type of mounting								
GH	Via DIN H-rail or via through-holes							

Technical data

Type	PEV-W	VPEV-W	
Design			
Pneumatic connection	M5	M5	
Electrical data			
Operating voltage range	[V DC]	10 ... 30	10 ... 30
	[V AC]	-	-
Switching element function	Changeover switch		
Max. output current [mA]	2,500	2,500	
Protection against short circuit	No		
Protection against polarity reversal	Yes		
Protection class	IP65		
Operating and environmental conditions			
Operating medium	Filtered compressed air, lubricated or unlubricated	Filtered compressed air, lubricated or unlubricated Vacuum, lubricated or unlubricated	
Operating pressure [bar]	0 ... 8	0 ... -1	
Ambient temperature [°C]	-20 ... +80		
CE mark (see declaration of conformity)	In accordance with EU EMC directive		
Materials			
Housing	Wrought aluminium alloy		

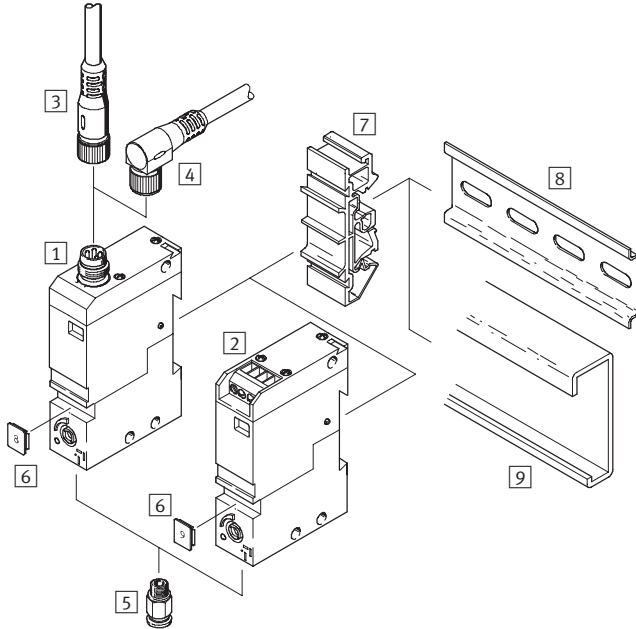
Ordering data

Description	Electrical connection	Plug socket in scope of delivery	Part No.	Type
Pressure switches				
	Screw terminal, 4-pin	-	152 618	PEV-W-KL-LED-GH
	Plug, M8x1, 4-pin	-	152 616	PEV-W-S-LED-GH
Vacuum switches				
	Screw terminal, 4-pin	-	152 619	VPEV-W-KL-LED-GH
	Plug, M8x1, 4-pin	-	152 617	VPEV-W-S-LED-GH

Pressure and vacuum switches PEV-W/VPEV-W, DIN H-rail mounting

Peripherals overview

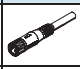

Peripherals overview



Accessories	
1	Pressure switch PEV-W-S-... with plug M8x1 Vacuum switch VPEV-W-S-... with plug M8x1
2	Pressure switch PEV-W-KL-... with screw terminals Vacuum switch VPEV-W-KL-... with screw terminals
3	Connecting cable NEBU-M8G4-... with straight socket
4	Connecting cable NEBU-M8W4-... with angled socket
5	Push-in fitting QSM-M5
6	Identification plate BZ-N...
7	Mounting latch PENV-BGH
8	Mounting rail to DIN EN 60715
9	Mounting rail to DIN EN 50035


Ordering data – Connecting cables

Technical data → Internet: nebu

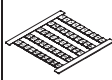

	Number of wires	Cable length [m]	Part No.	Type
M8x1, straight socket				
	4	2.5	541 342	NEBU-M8G4-K-2.5-LE4
	5		541 343	NEBU-M8G4-K-5-LE4
M8x1, angled socket				
	4	2.5	541 344	NEBU-M8W4-K-2.5-LE4
	5		541 345	NEBU-M8W4-K-5-LE4

Ordering data – Push-in fittings

Technical data → Internet: quick star

	For tubing O.D. [mm]	Part No.	Type
	3	153 302	QSM-M5-3
	4	153 304	QSM-M5-4
	6	153 306	QSM-M5-6

Ordering data – Accessories

	Part No.	Type
	6 888	BZ-N1-50
	6 889	BZ-N51-100
	164 597	PENV-BGH

Pressure switches PEV, screw-in

Type codes, technical data



Type codes

PEV - 1/4 - A - SW27 -	
Type	
PEV	Pressure switch
Pneumatic connection	
1/4	G1/4
Generation	
A	A series
Width across flats	
SW27	27 mm
Electrical connection	
-	For plug socket PEV-1/4-A-WD
B-OD	For plug socket PEV-1/4-WD-LED-...

Technical data

Type	PEV-1/4-A-SW27	PEV-1/4-A-SW27-B-OD
Design		
Pneumatic connection	G1/4	
Electrical data		
Operating voltage range	[V DC]	12 ... 250
Max. switching output voltage	[V DC]	250
	[V AC]	250
Switching element function	Changeover switch	
Max. output current	[mA]	4,000
Protection against short circuit	No	
Protection against polarity reversal	No	
Protection class	IP65	
Operating and environmental conditions		
Operating medium	Filtered compressed air, lubricated or unlubricated	
Operating pressure	[bar]	1 ... 10
Ambient temperature	[°C]	-30 ... +100 -20 ... +100
CE mark (see declaration of conformity)	In accordance with EU Low Voltage Directive	
Materials		
Housing	Galvanised steel	

Ordering data

		Electrical connection	Plug socket in scope of delivery	Part No.	Type
		Plug, 4-pin	-	159 259	PEV-1/4-A-SW27
		Plug, 4-pin	-	175 252	PEV-1/4-A-SW27-B-OD

Ordering data – Plug sockets

		Description	Operating voltage range		Part No.	Type
			[V DC]	[V AC]		
		For pressure switch PEV-1/4-A-SW27	≤180	≤230	161 209	PEV-1/4-A-WD
		For pressure switch PEV-1/4-A-SW27-B-OD	15 ... 30	-	164 274	PEV-1/4-WD-LED-24
			≤180	≤230	164 275	PEV-1/4-WD-LED-230

PE converter PE/PEN/VPE

Type codes, technical data

FESTO

Type codes

		PE	-	1/8	-	2N	-	SW
Type								
PE	PE converter							
PEN	PE converter							
VPE	PE converter for vacuum							
Pneumatic connection								
1/8	G1/8							
M5	Female thread M5							
Type of mounting								
2N	On mounting frame 2N							
Width across flats								
SW	Splash proof design							

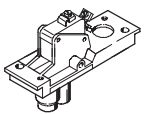
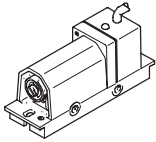
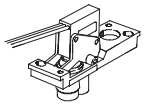
Technical data

Type	PE-1/8-2N	PE-1/8-2N-SW	PEN-M5	VPE-1/8-2N	VPE-1/8-2N-SW
Design					
Pneumatic connection	G1/8		M5	G1/8	
Electrical data					
Operating voltage range	[V DC]	12 ... 250	12 ... 30	12 ... 250	
	[V AC]	12 ... 250	-	12 ... 250	
Switch output	-		PNP	-	
Switching element function	Changeover switch		N/O contact	Changeover switch	
Max. output current	[mA]	4,000			
Minimum load current	[mA]	100	-	100	
Protection against short circuit		No	Yes	No	
Protection against polarity reversal		No			
Protection class	IP00, IP20 with protective cap	IP67	IP67	IP00, IP20 with protective cap	IP67
Operating and environmental conditions					
Operating medium		Filtered compressed air, lubricated or unlubricated, grade of filtration 40 µm			
				Vacuum	
Operating pressure	[bar]	0 ... 8	-1 ... +8	-0.95 ... 0	
Ambient temperature	[°C]	0 ... 60	-20 ... +60	0 ... 60	
CE mark (see declaration of conformity)		In accordance with EU Low Voltage Directive	In accordance with EU EMC directive	In accordance with EU Low Voltage Directive	
Certification		CCC	-	CCC	
Materials					
Housing		Die-cast aluminium, polyamide	Die-cast zinc	Die-cast aluminium, polyamide	

PE converters PE/PEN/VPE

Technical data

FESTO

Ordering data				
	Operating pressure [bar]	Electrical connection	Part No.	Type
	0 ... 8	Screw terminal	7 860	PE-1/8-2N
		3 wires	7 862	PE-1/8-2N-SW
	-1 ... +8	Cable, 3-wire	8 625	PEN-M5
	-0.95 ... 0	Screw terminal	12 594	VPE-1/8-2N
		3 wires	12 595	VPE-1/8-2N-SW