

Electrical connection technology, for multi-pin plug connection

Technical data – NEBV-S1G25-...

- Connecting cable for multi-pin plug connection
- Pre-assembled
- Cable lengths 2.5 m, 5 m or 10 m
- 15-pin or 25-pin
- Sub-D



General technical data		
Type	NEBV-S1G25-K-...-LE15	NEBV-S1G25-K-...-LE25
Type of mounting	4-40 UNC	
Nominal operating voltage [V]	24 DC	
Electrical connection	Cable with plug, Sub-D, 15-pin	Cable with plug, Sub-D, 25-pin
Cable Ø [mm]	9	10.5
Min. cable bending radius [mm]	90	105
Material of casing	Polybutylene terephthalate	
Material of union nut	Polyamide	
Material of seals	Thermoplastic polyolefin elastomer	
Material of cable sheath	Polyvinyl chloride	

Operating and environmental conditions	
Ambient temperature of flexible cable installation [°C]	-5 ... +50
Corrosion resistance class CRC ¹⁾	2
Note on materials	Conforms to RoHS

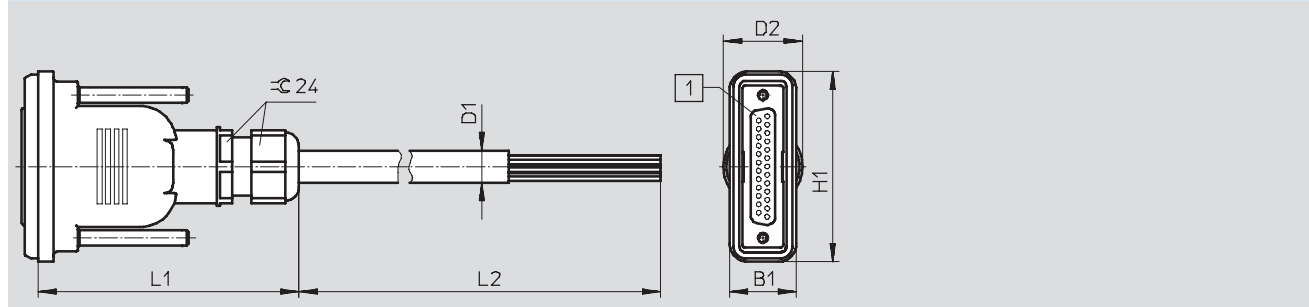
1) Corrosion resistance class 2 according to Festo standard 940 070
 Components subject to moderate corrosion stress. Externally visible parts with primarily decorative surface requirements which are in direct contact with a normal industrial environment or media such as coolants or lubricating agents.

Ordering data						
	Electrical connection	Cable composition [mm ²]	Product weight [g]	Cable length [m]	Type	Part No.
	15-pin socket, Sub-D	15x0.34	370	2.5	NEBV-S1G25-K-2,5-N-LE15	538 222
		15x0.34	670	5	NEBV-S1G25-K-5-N-LE15	538 223
		15x0.34	1270	10	NEBV-S1G25-K-10-N-LE15	538 224
	25-pin socket, Sub-D	20x0.25 + 5x0.34	490	2.5	NEBV-S1G25-K-2,5-N-LE25	538 225
		20x0.25 + 5x0.34	910	5	NEBV-S1G25-K-5-N-LE25	538 226
		20x0.25 + 5x0.34	1750	10	NEBV-S1G25-K-10-N-LE25	538 227

Electrical connection technology, for multi-pin plug connection

Technical data – NEBV-S1G25-...

Dimensions Download CAD data → www.festo.com
NEBV-S1G25-K-...



Type	1	B1	D1 ∅	D2 ∅	H1	L1	L2
NEBV-S1G25-K-...-LE25	Sub-D socket, 25-pin	22	10.4	26	62.8	86	Length according to type (2.5 m, 5 m or 10 m)
NEBV-S1G25-K-...-LE15	Sub-D socket, 15-pin		9				

	NEBV-S1G25-K-...-LE15				NEBV-S1G25-K-...-LE25			
	Pin	Core colour	Pin	Core colour	Pin	Core colour	Pin	Core colour
	1	white	24	brown-green	1	white	14	brown-green
	2	brown	25	white-yellow	2	brown	15	white-yellow
	3	green			3	green	16	yellow-brown
	4	yellow			4	yellow	17	white-grey
	5	grey			5	grey	18	grey-brown
	6	pink			6	pink	19	white-pink
	7	blue			7	blue	20	pink-brown
	8	red			8	red	21	white-blue
	9	black			9	black	22	brown-blue
	10	purple			10	purple	23	white-red
	11	grey-pink			11	grey-pink	24	brown-red
	12	red-blue			12	red-blue	25	white-black
	13	white-green			13	white-green		