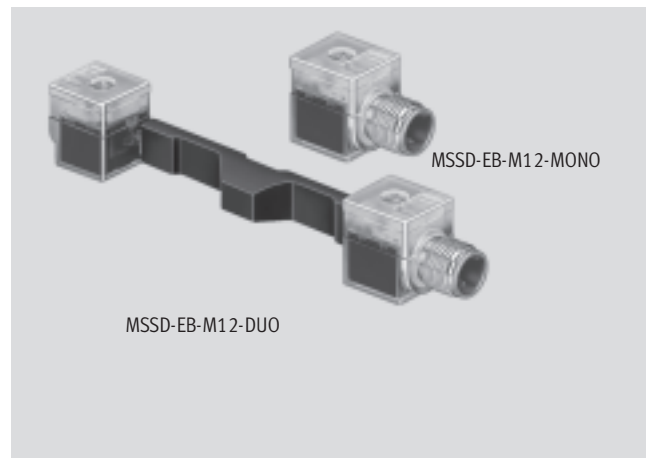


Electrical connection technology, for individual connection

Technical data – MSSD-EB

- Plug socket for connecting individual valves (for valve terminal type 14)
- M12 push-in connector for pre-assembled cable
- 2-pin plug socket
- With LED



General technical data		
Type of mounting	M2.5 central screw	
Mounting position	Any	
Operating voltage range	[V]	–
	[V]	24 DC
Current-carrying capacity	[A]	2x0.12
Signal status display		LED
Cable gland fitting		–
Cable diameter	[mm]	–
Max. wire cross section	[mm ²]	–
Protection class to EN 60529		IP65 (assembled)
Material of housing		Polyamide
Material of contacts		Brass
Material		Polyvinyl chloride
Ambient temperature	[°C]	–10 ... +50

Ordering data				
	Electrical connection	Product weight [g]	Type	Part No.
	Angled socket, 2-pin; straight plug, 2-pin, M12	22	MSSD-EB-M12-MONO	188024
	2 angled sockets, 2-pin; straight plug, 3-pin, M12	36	MSSD-EB-M12-DUO	188025

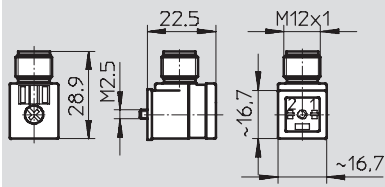
Electrical connection technology, for individual connection

Technical data – MSSD-EB

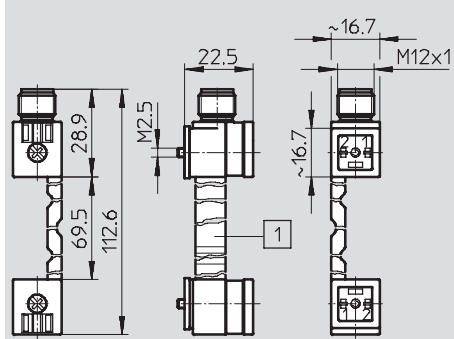
Dimensions

Download CAD data → www.festo.com

MSSD-EB-M12-MONO



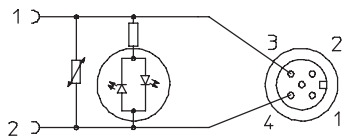
MSSD-EB-M12-DUO



1 Cover is attached subsequently

Circuit diagram

MSSD-EB-M12-MONO



MSSD-EB-M12-DUO

