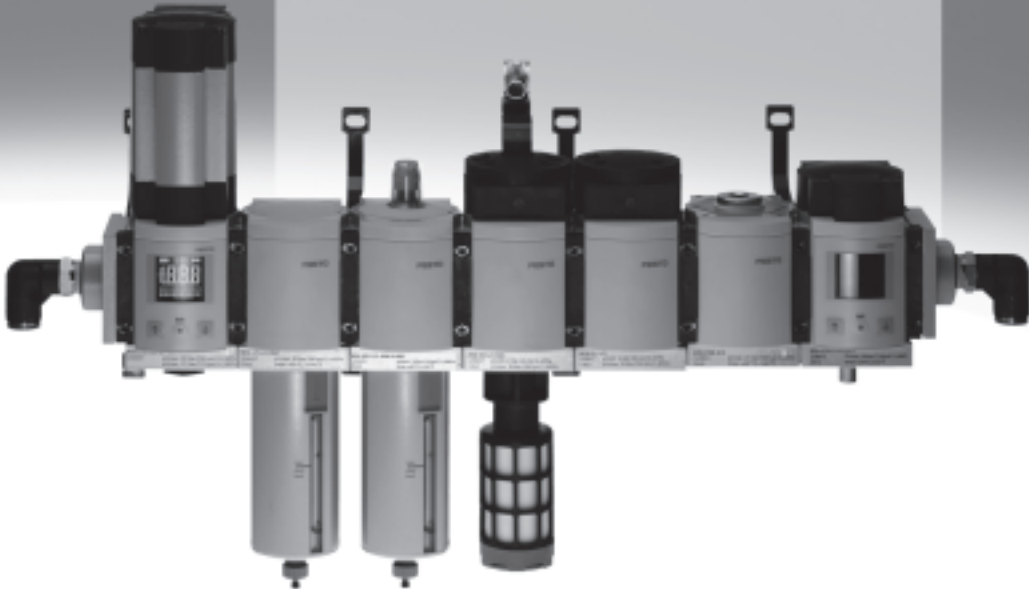


Accessories, MS series



Accessories, MS series

Connecting plates MS9

Connecting plate MS9-AQ...

(order code: AQ...)

- Adapter for pneumatic connection

Material:

Connecting plate, hollow bolt:

Die-cast aluminium

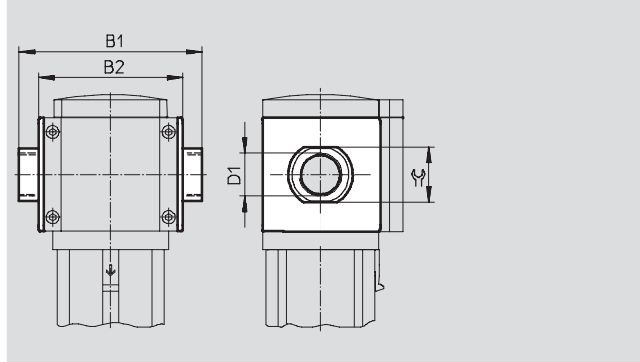
Seals: Nitrile rubber

RoHS-compliant

Free of copper and PTFE

Temperature of medium:

-10 ... +60 °C



Dimensions and ordering data								
Size	B1	B2	D1	$\approx C$	KBK1)	Weight [g]	Part No.	Type
MS9	132	112	NPT $\frac{1}{2}$ -14	30	2	300	552959	MS9-AQR
	132	112	NPT $\frac{3}{4}$ -14	36	2	300	552960	MS9-AQS
	142	112	NPT1-11 $\frac{1}{2}$	41	2	300	552961	MS9-AQT
	162	112	NPT1 $\frac{1}{4}$ -11 $\frac{1}{2}$	50	2	400	552962	MS9-AQU
	176	112	NPT1 $\frac{1}{2}$ -11 $\frac{1}{2}$	55	2	400	552963	MS9-AQV

1) Corrosion resistance class 2 as per Festo standard 940 070

Components subject to moderate corrosion stress. Externally visible parts with primarily decorative surface requirements which are in direct contact with a normal industrial environment or media such as coolants or lubricating agents.