










# Pressure gauges



# Pressure gauges

Product range overview

FESTO

Type	Pneumatic connection	Nominal size							Display unit			Red-green range	→ Page/Internet
		15	23	26	27	40	50	63	bar	MPa	psi		
Pressure gauge DIN EN 837-1 <b>MA-...-EN</b>	 R $\frac{1}{8}$ , R $\frac{1}{4}$ , G $\frac{1}{4}$	-	-	-	-	■	■	■	■	-	■	-	3
Pressure gauge DIN EN 837-1 <b>MA-...-RG</b>	 R $\frac{1}{8}$ , R $\frac{1}{4}$	-	-	-	-	■	■	■	■	■	■	■	6
Pressure gauge <b>MA</b>	 M5, R $\frac{1}{8}$ , G $\frac{1}{8}$ , G $\frac{1}{4}$	-	■	-	■	■	■	■	■	■	■	-	8
Precision pressure gauge DIN EN 837-1 <b>MAP-...-EN</b>	 R $\frac{1}{8}$	-	-	-	-	■	-	-	■	-	■	-	12
Pressure gauge <b>MA-...-QS</b>	 QS-4, QS-6, QS-8	■	-	-	-	-	-	-	■	-	-	-	13
Flanged pressure gauge DIN EN 837-1 <b>FMA-...-EN</b>	 G $\frac{1}{4}$	-	-	-	-	■	■	■	■	-	■	-	14
Flanged pressure gauge <b>FMA</b>	 G $\frac{1}{4}$	-	-	-	-	-	-	■	■	-	■	-	16
Precision flanged pressure gauge DIN EN 837-1 <b>FMAP-...-EN</b>	 G $\frac{1}{4}$	-	-	-	-	-	-	■	■	-	■	-	17
Pressure gauge <b>PAGN</b>	 QSP-10	-	-	■	-	■	-	-	■	-	■	-	18

# Pressure gauges MA, DIN EN 837-1

FESTO

Technical data

Function



-  - Temperature range  
-20 ... +60 °C



Technical data						
Nominal size	40			50	63	
Pneumatic connection	R $\frac{1}{8}$	R $\frac{1}{4}$	G $\frac{1}{4}$	G $\frac{1}{4}$	G $\frac{1}{4}$	
Operating medium	Liquid media					
	Gaseous media					
	Not permitted: Oxygen					
	Not permitted: Acetylene					
Design	Bourdon tube pressure gauge					
Conforms to	DIN EN 837-1					
Type of mounting	Can be screwed in					
Connection position	Centre, rear side					
Ambient temperature [°C]	-20 ... +60					
Accuracy of measurement, class	2.5					
Factor, continuous load	0.75					
Factor, intermittent load	0.66					
Protection class	IP43					
For MS series service units	MS4	MS4/MS6/MS12		-	-	
Weight [g]	60	70	70	70	80	

Materials	
Housing	Acrylic butadiene styrene
Sight glass	Polystyrene
Threaded plug	Brass

Indicating range						
Nominal size		40			50	63
Pneumatic connection		R $\frac{1}{8}$	R $\frac{1}{4}$	G $\frac{1}{4}$	G $\frac{1}{4}$	G $\frac{1}{4}$
[bar]	[psi]					
0 ... 1	0 ... 14.5	-	-	-	-	■
0 ... 2.5	0 ... 36	-	-	-	■	■
0 ... 6	0 ... 87	-	■	■	-	-
0 ... 10	0 ... 145	■	■	■	■	■
0 ... 16	0 ... 232	■	■	■	■	■
0 ... 25	0 ... 360	■	■	■	-	-

# Pressure gauges MA, DIN EN 837-1

Technical data

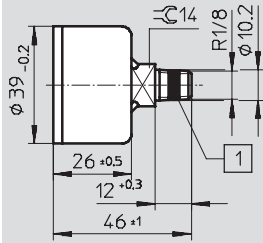
FESTO

## Dimensions

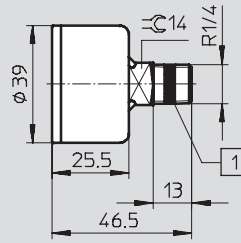
Download CAD data → [www.festo.com](http://www.festo.com)

MA-40, R<sup>1</sup>/<sub>8</sub>

MA-40, R<sup>1</sup>/<sub>4</sub>



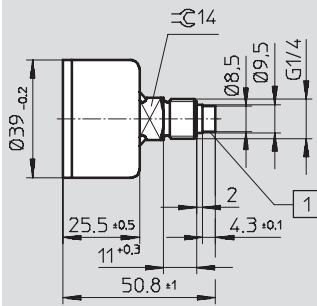
1 PTFE seal for MA-40-25-1/8-EN



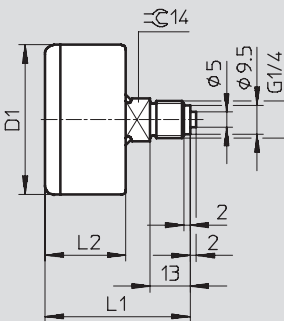
1 PTFE seal

MA-40, G<sup>1</sup>/<sub>4</sub>

MA-50/63, G<sup>1</sup>/<sub>4</sub>



1 With pre-fitted PTFE sealing ring



Type	D1 Ø	L1	L2
MA-50	49	47.5	26.5
MA-63	61.5	48.5	27.5

# Pressure gauges MA, DIN EN 837-1

Technical data

**FESTO**

Ordering data					
Nominal size	Pneumatic connection	Indicating range		Part No.	Type
		[bar]	[psi]		
40	R $\frac{1}{8}$	0 ... 10	0 ... 145	162835	MA-40-10- $\frac{1}{8}$ -EN
		0 ... 16	0 ... 232	162836	MA-40-16- $\frac{1}{8}$ -EN
		0 ... 25	0 ... 360	526167	MA-40-25- $\frac{1}{8}$ -EN
	R $\frac{1}{4}$	0 ... 6	0 ... 87	187078	MA-40-6-R $\frac{1}{4}$ -EN
		0 ... 10	0 ... 145	187079	MA-40-10-R $\frac{1}{4}$ -EN
		0 ... 16	0 ... 232	187080	MA-40-16-R $\frac{1}{4}$ -EN
		0 ... 25	0 ... 360	187081	MA-40-25-R $\frac{1}{4}$ -EN
	G $\frac{1}{4}$	0 ... 6	0 ... 87	183899	MA-40-6-G $\frac{1}{4}$ -EN
		0 ... 10	0 ... 145	183900	MA-40-10-G $\frac{1}{4}$ -EN
		0 ... 16	0 ... 232	183901	MA-40-16-G $\frac{1}{4}$ -EN
		0 ... 25	0 ... 360	183902	MA-40-25-G $\frac{1}{4}$ -EN
50	G $\frac{1}{4}$	0 ... 2.5	0 ... 36	162837	MA-50-2,5- $\frac{1}{4}$ -EN
		0 ... 10	0 ... 145	162838	MA-50-10- $\frac{1}{4}$ -EN
		0 ... 16	0 ... 232	162839	MA-50-16- $\frac{1}{4}$ -EN
63	G $\frac{1}{4}$	0 ... 1	0 ... 14.5	162844	MA-63-1- $\frac{1}{4}$ -EN
		0 ... 2.5	0 ... 36	162845	MA-63-2,5- $\frac{1}{4}$ -EN
		0 ... 10	0 ... 145	162840	MA-63-10- $\frac{1}{4}$ -EN
		0 ... 16	0 ... 232	162841	MA-63-16- $\frac{1}{4}$ -EN

# Pressure gauges MA, DIN EN 837-1, with red-green range

FESTO

Technical data

Function



Temperature range  
-20 ... +60 °C



The adjustable red-green range provides additional safety when monitoring compressed air.

With the two red segments above the pressure gauge scale along with the printed green segment it is possible to individually limit the desired pressure range.

This coloured demarcation enables you to recognise immediately whether or not the pressure is in the permitted tolerance range.

Technical data			
Nominal size	40	50	63
Pneumatic connection	R $\frac{1}{8}$	R $\frac{1}{4}$	R $\frac{1}{4}$
Operating medium	Liquid media		
	Gaseous media		
	Not permitted: Oxygen		
	Not permitted: Acetylene		
Design	Bourdon tube pressure gauge		
Type of mounting	Can be screwed in		
Connection position	Centre, rear side		
Ambient temperature [°C]	-20 ... +60		
Accuracy of measurement, class	2.5		
Factor, continuous load	0.75		
Factor, intermittent load	0.66		
Protection class	IP43		
For MS series service units	MS4	MS4/MS6/MS12	-
Weight [g]	62	76	88

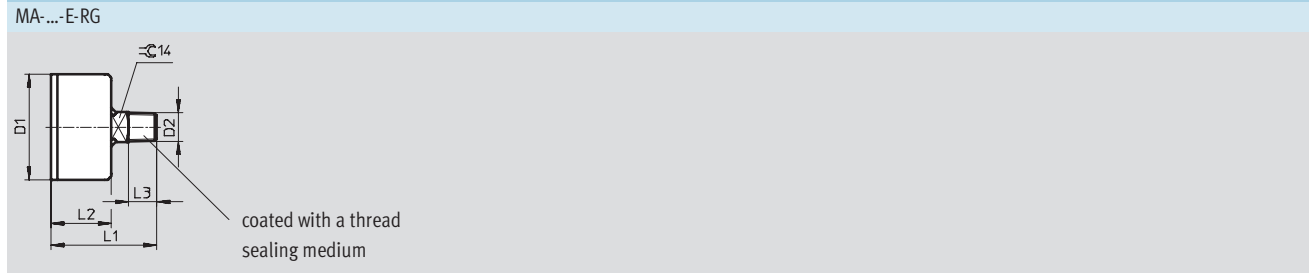
Materials	
Housing	Acrylic butadiene styrene
Sight glass	Polymethylmethacrylate

Indicating range			
Nominal size	40	50	63
Pneumatic connection	R $\frac{1}{8}$	R $\frac{1}{4}$	R $\frac{1}{4}$
[bar]			
0 ... 2.5	■	■	■
0 ... 10	■	■	■
0 ... 16	■	■	■
[MPa]			
0 ... 0.25	-	■	■
0 ... 1	■	■	■
0 ... 1.6	■	■	■
[psi]			
0 ... 36	-	■	■
0 ... 145	■	■	■
0 ... 232	■	■	■

# Pressure gauges MA, DIN EN 837-1, with red-green range

Technical data

**Dimensions** Download CAD data → [www.festo.com](http://www.festo.com)



Type	D1 ∅ ±0.5	D2	L1 ±1	L2 ±0.5	L3
MA-40-...-E-RG	39	R <sup>1</sup> / <sub>8</sub>	46	28	10
MA-50-...-E-RG	49	R <sup>1</sup> / <sub>4</sub>	49	28	13
MA-63-...-E-RG	61.5	R <sup>1</sup> / <sub>4</sub>	50.5	29.5	13

**Ordering data**

Nominal size	Pneumatic connection	Indicating range	Part No.	Type
<b>Display unit [bar]</b>				
40	R <sup>1</sup> / <sub>8</sub>	0 ... 2.5	546963	MA-40-2,5-R <sup>1</sup> / <sub>8</sub> -E-RG
		0 ... 10	525725	MA-40-10-R <sup>1</sup> / <sub>8</sub> -E-RG
		0 ... 16	525726	MA-40-16-R <sup>1</sup> / <sub>8</sub> -E-RG
50	R <sup>1</sup> / <sub>4</sub>	0 ... 2.5	525727	MA-50-2,5-R <sup>1</sup> / <sub>4</sub> -E-RG
		0 ... 10	525728	MA-50-10-R <sup>1</sup> / <sub>4</sub> -E-RG
		0 ... 16	525729	MA-50-16-R <sup>1</sup> / <sub>4</sub> -E-RG
63	R <sup>1</sup> / <sub>4</sub>	0 ... 2.5	525730	MA-63-2,5-R <sup>1</sup> / <sub>4</sub> -E-RG
		0 ... 10	525731	MA-63-10-R <sup>1</sup> / <sub>4</sub> -E-RG
		0 ... 16	525732	MA-63-16-R <sup>1</sup> / <sub>4</sub> -E-RG
<b>Display unit [MPa]</b>				
40	R <sup>1</sup> / <sub>8</sub>	0 ... 1	526778	MA-40-1,0-R <sup>1</sup> / <sub>8</sub> -MPA-E-RG
		0 ... 1.6	526779	MA-40-1,6-R <sup>1</sup> / <sub>8</sub> -MPA-E-RG
50	R <sup>1</sup> / <sub>4</sub>	0 ... 0.25	526780	MA-50-0,25-R <sup>1</sup> / <sub>4</sub> -MPA-E-RG
		0 ... 1	526781	MA-50-1,0-R <sup>1</sup> / <sub>4</sub> -MPA-E-RG
		0 ... 1.6	526782	MA-50-1,6-R <sup>1</sup> / <sub>4</sub> -MPA-E-RG
63	R <sup>1</sup> / <sub>4</sub>	0 ... 0.25	526783	MA-63-0,25-R <sup>1</sup> / <sub>4</sub> -MPA-E-RG
		0 ... 1	526784	MA-63-1,0-R <sup>1</sup> / <sub>4</sub> -MPA-E-RG
		0 ... 1.6	526785	MA-63-1,6-R <sup>1</sup> / <sub>4</sub> -MPA-E-RG
<b>Display unit [psi]</b>				
40	R <sup>1</sup> / <sub>8</sub>	0 ... 145	526786	MA-40-145-R <sup>1</sup> / <sub>8</sub> -PSI-E-RG
		0 ... 232	526787	MA-40-232-R <sup>1</sup> / <sub>8</sub> -PSI-E-RG
50	R <sup>1</sup> / <sub>4</sub>	0 ... 36	526788	MA-50-36-R <sup>1</sup> / <sub>4</sub> -PSI-E-RG
		0 ... 145	526789	MA-50-145-R <sup>1</sup> / <sub>4</sub> -PSI-E-RG
		0 ... 232	526790	MA-50-232-R <sup>1</sup> / <sub>4</sub> -PSI-E-RG
63	R <sup>1</sup> / <sub>4</sub>	0 ... 36	526791	MA-63-36-R <sup>1</sup> / <sub>4</sub> -PSI-E-RG
		0 ... 145	526792	MA-63-145-R <sup>1</sup> / <sub>4</sub> -PSI-E-RG
		0 ... 232	526793	MA-63-232-R <sup>1</sup> / <sub>4</sub> -PSI-E-RG

# Pressure gauges MA

Technical data

FESTO

Function



-  - Temperature range  
-20 ... +60 °C



Technical data								
Nominal size	23	27	40	50	63			
Pneumatic connection	R $\frac{1}{8}$	M5	R $\frac{1}{8}$	G $\frac{1}{8}$	G $\frac{1}{4}$	G $\frac{1}{4}$	G $\frac{1}{4}$	
Operating medium	-						Liquid media	-
	Gaseous media							
	Not permitted: Oxygen							
	Not permitted: Acetylene							
Design	Bourdon tube pressure gauge					Capsule pressure gauge		
Type of mounting	Threaded							
Connection position	Centre, rear side							
Ambient temperature [°C]	-20 ... +60	0 ... +60	-20 ... +60					
Accuracy of measurement, class	5	4	2.5				1.6	
Factor, continuous load	0.75	0.75					0.75	
Factor, intermittent load	0.6	0.66					0.9	
Protection class	-		IP43					
For D series service units	-	MICRO	-	MINI	-	MIDI/MAXI	-	
Weight [g]	27	11	8	60	70	70	180	

Materials							
Nominal size	23	27	40	50	63		
Pneumatic connection	R $\frac{1}{8}$	M5	R $\frac{1}{8}$	G $\frac{1}{8}$	G $\frac{1}{4}$	G $\frac{1}{4}$	G $\frac{1}{4}$
Housing	Brass	Polyamide		Acrylic butadiene styrene		Steel	
Dial cover	Polycarbonate	Polystyrene		Polystyrene		Polymethylmethacrylate	
Threaded plug	Brass	Brass	Polyamide	Brass		Brass	



# Pressure gauges MA

Technical data

FESTO

Indicating range								
Nominal size		23	27	40		50	63	
Pneumatic connection		R <sup>1</sup> / <sub>8</sub>	M5	R <sup>1</sup> / <sub>8</sub>	G <sup>1</sup> / <sub>8</sub>	G <sup>1</sup> / <sub>4</sub>	G <sup>1</sup> / <sub>4</sub>	G <sup>1</sup> / <sub>4</sub>
[bar]	[psi]							
0 ... 0.25	0 ... 3.6	-	-	-	-	-	-	■
0 ... 6	0 ... 87	■	-	-	-	-	-	-
0 ... 10	0 ... 145	■	-	-	■	-	■	-
0 ... 16	0 ... 232	■	-	■	■	-	■	-
0 ... 25	0 ... 360	-	-	■	-	-	-	-
[bar]								
0 ... 10		-	■	-	-	-	-	-
[MPa]								
0 ... 0.6		-	-	-	-	■	-	-
0 ... 1		-	■	-	■	■	■	-
0 ... 1.6		-	-	-	■	■	■	-
0 ... 2.5		-	-	-	-	■	-	-
[psi]								
0 ... 160		-	■	-	-	-	-	-

# Pressure gauges MA

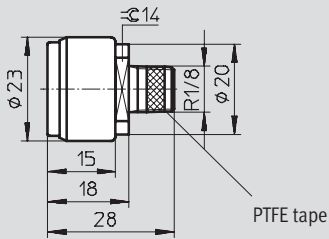
Technical data

FESTO

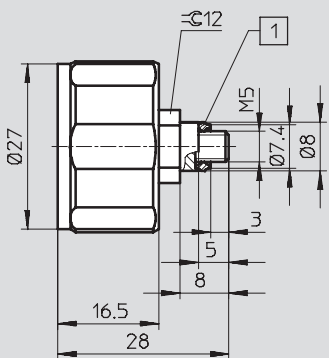
## Dimensions

Download CAD data → [www.festo.com](http://www.festo.com)

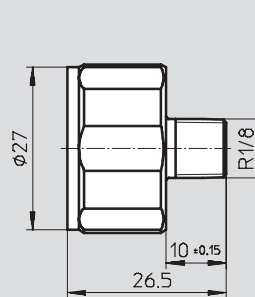
MA-23



MA-27, M5

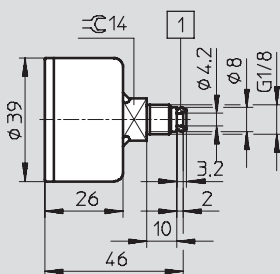


MA-27, R1/8

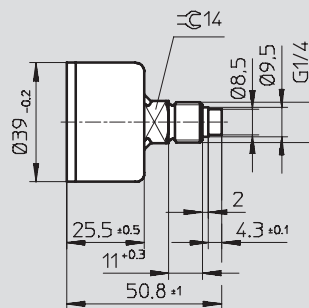


1 With pre-fitted polyamide sealing ring

MA-40, G1/8

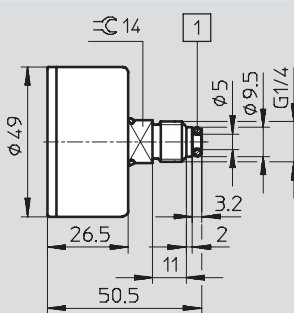


MA-40, G1/4

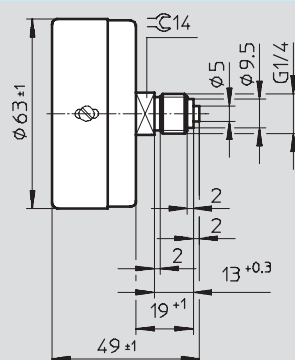


1 With pre-fitted aluminium sealing ring

MA-50



MA-63



1 With pre-fitted aluminium sealing ring

# Pressure gauges MA

Technical data

FESTO

Ordering data					
Nominal size	Pneumatic connection	Indicating range		Part No.	Type
		[bar]	[psi]		
23	R $\frac{1}{8}$	0 ... 6	0 ... 87	183896	MA-23-6-R $\frac{1}{8}$
		0 ... 10	0 ... 145	183897	MA-23-10-R $\frac{1}{8}$
		0 ... 16	0 ... 232	183898	MA-23-16-R $\frac{1}{8}$
27	R $\frac{1}{8}$	0 ... 16	0 ... 232	541733	MA-27-16-R $\frac{1}{8}$
		0 ... 25	0 ... 360	541734	MA-27-25-R $\frac{1}{8}$
40	G $\frac{1}{8}$	0 ... 10	0 ... 145	359874	MA-40-10- $\frac{1}{8}$
		0 ... 16	0 ... 232	345395	MA-40-16- $\frac{1}{8}$
50	G $\frac{1}{4}$	0 ... 10	0 ... 145	359873	MA-50-10- $\frac{1}{4}$
		0 ... 16	0 ... 232	356759	MA-50-16- $\frac{1}{4}$
63	G $\frac{1}{4}$	0 ... 0.25	0 ... 3.6	7169	MA-63-0,25

Ordering data					
Nominal size	Pneumatic connection	Indicating range		Part No.	Type
		[bar]	[psi]		
Display unit [bar]					
27	M5	0 ... 10		526323	MA-27-10-M5
Display unit [MPa]					
27	M5	0 ... 1		526324	MA-27-1,0-M5-MPA
40	G $\frac{1}{8}$	0 ... 1		192732	MA-40-1-G $\frac{1}{8}$ -MPA
		0 ... 1.6		192733	MA-40-1,6-G $\frac{1}{8}$ -MPA
	G $\frac{1}{4}$	0 ... 0.6		184285	MA-40-0,6-G $\frac{1}{4}$ -MPA
		0 ... 1		184286	MA-40-1,0-G $\frac{1}{4}$ -MPA
		0 ... 1.6		184287	MA-40-1,6-G $\frac{1}{4}$ -MPA
		0 ... 2.5		184288	MA-40-2,5-G $\frac{1}{4}$ -MPA
50	G $\frac{1}{4}$	0 ... 1		192734	MA-50-1-G $\frac{1}{4}$ -MPA
		0 ... 1.6		192735	MA-50-1,6-G $\frac{1}{4}$ -MPA
Display unit [psi]					
27	M5	0 ... 160		527405	MA-27-160-M5-PSI


# Precision pressure gauges MAP, DIN EN 837-1

FESTO

Technical data

Function



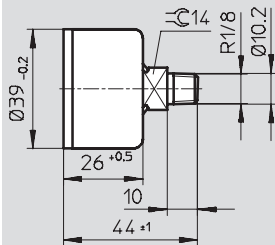
-  - Temperature range  
-20 ... +60 °C



Technical data					
Nominal size	40				
Pneumatic connection	R1/8				
Operating medium	Liquid media				
	Gaseous media				
	Not permitted: Oxygen				
	Not permitted: Acetylene				
Design	Bourdon tube pressure gauge				
Indicating range	[bar]	0 ... 1	0 ... 4	0 ... 6	0 ... 16
	[psi]	0 ... 15	0 ... 58	0 ... 87	0 ... 232
Conforms to	DIN EN 837-1				
Type of mounting	Can be screwed in				
Connection position	Centre, rear side				
Ambient temperature	[°C]	-20 ... +60			
Accuracy of measurement, class	1.6				
Factor, continuous load	0.75				
Factor, intermittent load	0.66				
Protection class	IP43				
Weight	[g]	60			

Materials	
Housing	Acrylic butadiene styrene
Sight glass	Polystyrene
Threaded plug	Brass

Dimensions Download CAD data → [www.festo.com](http://www.festo.com)



Ordering data					
Nominal size	Pneumatic connection	Indicating range		Part No.	Type
		[bar]	[psi]		
40	R1/8	0 ... 1	0 ... 15	161126	MAP-40-1-1/8-EN
		0 ... 4	0 ... 58	162842	MAP-40-4-1/8-EN
		0 ... 6	0 ... 87	161127	MAP-40-6-1/8-EN
		0 ... 16	0 ... 232	161128	MAP-40-16-1/8-EN

# Pressure gauges MA-QS

Technical data

**FESTO**

Function



Temperature range  
0 ... +60 °C

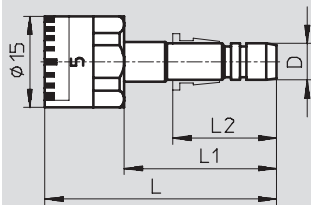


Technical data			
Nominal size	15		
Pneumatic connection	QS-4	QS-6	QS-8
Operating medium	Filtered compressed air, lubricated or unlubricated		
Design	Bourdon tube pressure gauge without measuring mechanism		
Operating pressure [bar]	0 ... 10		
Indicating range [bar]	0 ... 10		
Ambient temperature [°C]	0 ... +60		
Weight [g]	8	9.5	12.5

Materials	
Housing	Nickel plated steel
Note on materials	RoHS-compliant

## Dimensions

Download CAD data → [www.festo.com](http://www.festo.com)



Dimensions and ordering data						
Nominal size	Pneumatic connection D	L	L1	L2	Indicating range	Part No. Type
					[bar]	
15	QS-4	36	23	15	0 ... 10	153383 MA-15-10-QS-4
	QS-6	38	25	17		153384 MA-15-10-QS-6
	QS-8	34	21	18.5		153385 MA-15-10-QS-8


# Flanged pressure gauges FMA, DIN EN 837-1

FESTO

Technical data

Function



—  — Temperature range  
-20 ... +60 °C



Technical data			
Nominal size	40	50	63
Pneumatic connection	G $\frac{1}{4}$	G $\frac{1}{4}$	G $\frac{1}{4}$
Operating medium	Liquid media		
	Gaseous media		
	Not permitted: Oxygen		
	Not permitted: Acetylene		
Design	Bourdon tube pressure gauge		
Conforms to	DIN EN 837-1		
Type of mounting	Panel mounting		
Connection position	Centre, rear side		
Ambient temperature [°C]	-20 ... +60		
Accuracy of measurement, class	2.5		
Factor, continuous load	0.75		
Factor, intermittent load	0.66		
Protection class	IP43		
Weight [g]	80	100	120

Materials	
Housing	Polystyrene
Sight glass	Styrene acrylonitrile copolymer
Threaded plug	Brass

Indicating range			
Nominal size	40	50	63
Pneumatic connection	G $\frac{1}{4}$	G $\frac{1}{4}$	G $\frac{1}{4}$
[bar]	[psi]		
0 ... 2.5	0 ... 36	—	■
0 ... 10	0 ... 145	■	■
0 ... 16	0 ... 232	■	■

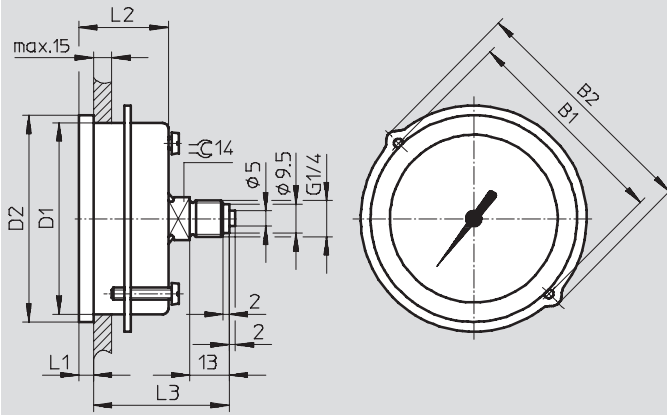
# Flanged pressure gauges FMA, DIN EN 837-1

Technical data

FESTO

## Dimensions

Download CAD data → [www.festo.com](http://www.festo.com)



Type	B1	B2	D1 Ø	D2 Ø	L1	L2	L3
FMA-40	48	56	40	45	4.5	26.5	43
FMA-50	57	66	49.5	54	4.5	26.8	43.3
FMA-63	70	79	63	68	4.8	29.5	42.5

## Ordering data

Nominal size	Pneumatic connection	Indicating range		Part No.	Type
		[bar]	[psi]		
40	G1/4	0 ... 10	0 ... 145	159596	FMA-40-10-1/4-EN
		0 ... 16	0 ... 232	159597	FMA-40-16-1/4-EN
50	G1/4	0 ... 2.5	0 ... 36	159598	FMA-50-2,5-1/4-EN
		0 ... 10	0 ... 145	159599	FMA-50-10-1/4-EN
		0 ... 16	0 ... 232	159600	FMA-50-16-1/4-EN
63	G1/4	0 ... 2.5	0 ... 36	159601	FMA-63-2,5-1/4-EN
		0 ... 10	0 ... 145	159602	FMA-63-10-1/4-EN
		0 ... 16	0 ... 232	159603	FMA-63-16-1/4-EN

# Flanged pressure gauges FMA

Technical data

FESTO

Function



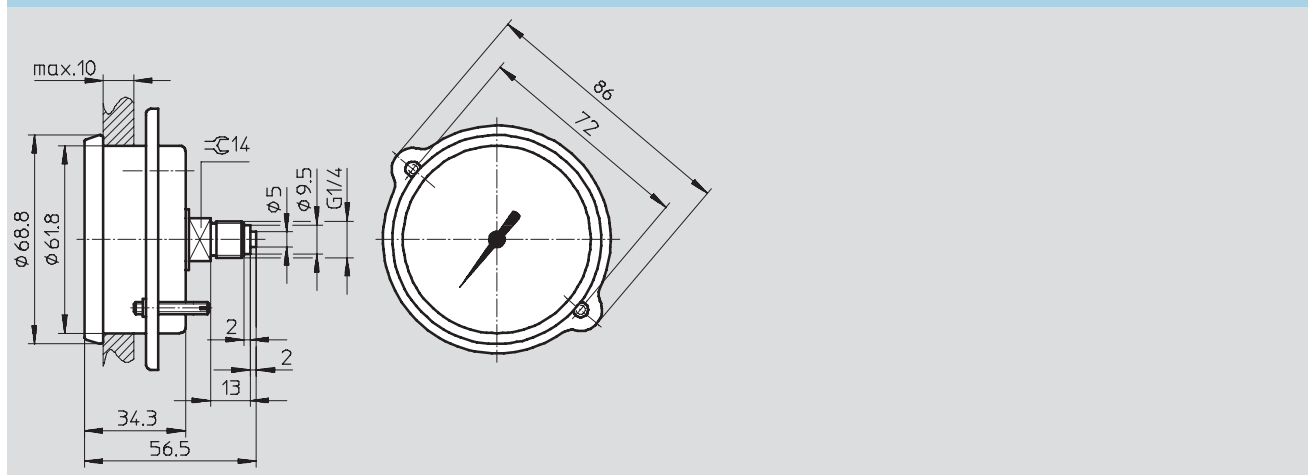
Temperature range  
-10 ... +60 °C



Technical data		
Nominal size	63	
Pneumatic connection	G1/4	
Operating medium	Gaseous media	
Design	Aneroid pressure gauge	
Indicating range	[bar]	0 ... 0.25
	[psi]	0 ... 3.6
Type of mounting	Panel mounting	
Connection position	Centre, rear side	
Ambient temperature	[°C]	-10 ... +60
Accuracy of measurement, class		2.5
Factor, continuous load		0.75
Factor, intermittent load		0.9
Protection class		IP43
Weight	[g]	240

Materials	
Housing	Steel
Sight glass	Polymethylmethacrylate
Threaded plug	Brass

## Dimensions Download CAD data → [www.festo.com](http://www.festo.com)



Ordering data					
Nominal size	Pneumatic connection	Indicating range		Part No.	Type
		[bar]	[psi]		
63	G1/4	0 ... 0.25	0 ... 3.6	225783	FMA-63-0,25-C



# Precision pressure gauges FMAP, DIN EN 837-1

FESTO

Technical data

Function



Temperature range  
-20 ... +60 °C



Technical data					
Nominal size	63				
Pneumatic connection	G $\frac{1}{4}$				
Operating medium	Liquid media				
	Gaseous media				
	Not permitted: Oxygen				
	Not permitted: Acetylene				
Design	Bourdon tube pressure gauge				
Indicating range	[bar]	0 ... 1	0 ... 4	0 ... 6	0 ... 16
	[psi]	0 ... 15	0 ... 58	0 ... 87	0 ... 232
Conforms to	DIN EN 837-1				
Type of mounting	Panel mounting				
Connection position	Centre, rear side				
Ambient temperature	[°C]	-20 ... +60			
Accuracy of measurement, class	1.0				
Factor, continuous load	0.75				
Factor, intermittent load	0.66				
Protection class	IP43				
Weight	[g]	120			

Materials	
Housing	Polystyrene
Sight glass	Styrene acrylonitrile copolymer
Threaded plug	Brass

Dimensions Download CAD data → [www.festo.com](http://www.festo.com)

Ordering data					
Nominal size	Pneumatic connection	Indicating range		Part No.	Type
		[bar]	[psi]		
63	G $\frac{1}{4}$	0 ... 1	0 ... 15	161129	FMAP-63-1- $\frac{1}{4}$ -EN
		0 ... 4	0 ... 58	162843	FMAP-63-4- $\frac{1}{4}$ -EN
		0 ... 6	0 ... 87	161130	FMAP-63-6- $\frac{1}{4}$ -EN
		0 ... 16	0 ... 232	161131	FMAP-63-16- $\frac{1}{4}$ -EN

# Pressure gauges PAGN

FESTO

Technical data

Function



Temperature range  
-5 ... +50 °C

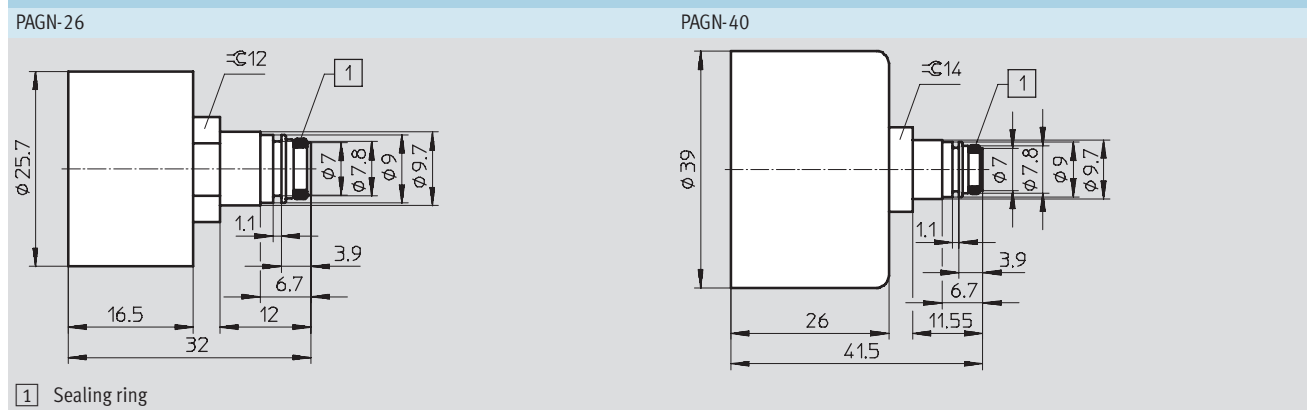


Technical data				
Nominal size	26		40	
Pneumatic connection	QSP-10		QSP-10	
Operating medium	Filtered compressed air, grade of filtration 40 µm, lubricated or unlubricated			
Operating pressure [bar]	6	10	6	10
Indicating range [bar]	0 ... 10	0 ... 16	0 ... 10	0 ... 16
	[psi] 0 ... 145	0 ... 240	0 ... 145	0 ... 240
Conforms to	ISO 15407-2		-	
Type of mounting	Via retaining clamp			
Type of seal on threaded collar	Sealing ring			
Ambient temperature [°C]	-5 ... +50			
Storage temperature [°C]	-20 ... +40			
Accuracy of measurement, class	4.0			
Protection class	IP 65			
	NEMA 4			
Weight [g]	15		20	

Materials	
Housing	Polyamide
Dial cover	Polycarbonate
Threaded spigot	Brass

## Dimensions

Download CAD data → [www.festo.com](http://www.festo.com)



Ordering data						
Nominal size	Pneumatic connection	Operating pressure [bar]	Indicating range [bar]		Part No.	Type
			[bar]	[psi]		
26	QSP-10	6	0 ... 10	0 ... 145	543488	PAGN-26-10-P10
		10	0 ... 16	0 ... 240	543487	PAGN-26-16-P10
40	QSP-10	6	0 ... 10	0 ... 145	548009	PAGN-40-10-P10
		10	0 ... 16	0 ... 240	548010	PAGN-40-16-P10