

Electrical connection technology, for individual connection

Technical data – KMYZ-7

- Plug socket with cable for connecting individual valves CPV/CPA10/14
- Pre-assembled
- Cable lengths: 2.5 m, 5 m and 10 m
- 2-pin plug socket
- With LEDs and protective circuit
- With integrated reduction of holding current
- Reverse polarity protected
- Not suitable for chain link trunking



General technical data	
Type	KMYZ-7-...
Electrical connection	Angled socket, 2-pin
Type of mounting	Self-tapping central screw KB 18x7
Mounting position	Any
Operating voltage range [V]	20 ... 26 DC
Current-carrying capacity [A]	1
Cable diameter [mm]	3.4
Protection class to EN 60 529	IP65 (assembled)
Material of housing	Polyamide
Material of contacts	Bronze
Material of cable sheath	Polyurethane
Ambient temperature [°C]	-10 ... +50

Ordering data						
	Signal status display LED	Constructional design [mm ²]	Product weight [g]	Cable length [m]	Type	Part No.
	■	2x0.25	43	2.5	KMYZ-7-24-2,5-LED-PUR	193 683
	■	2x0.25	82	5	KMYZ-7-24-5-LED-PUR	193 685
	■	2x0.25	155	10	KMYZ-7-24-10-LED-PUR	196 070

Electrical connection technology, for individual connection

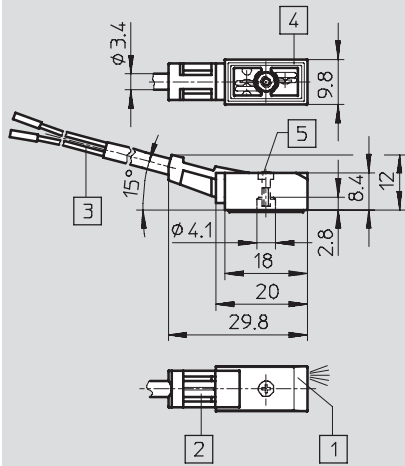
FESTO

Technical data – KMYZ-7

Dimensions

Download CAD data → www.festo.com

KMYZ-7-...



- 1 LED illuminated area
- 2 Location for identification plate
- 3 2-core cable 2.5 m, 5 m or 10 m (2x0.25 mm²)
- 4 Connection pattern for MZC
- 5 Mounting screw