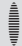


Electrical connection technology, for multi-pin plug connection

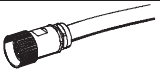
Technical data – KMP2-03-...

- Plug socket with cable for multi-pin connection of 24 inputs/outputs or 24 solenoid coils/valves
- Pre-assembled
- Cable lengths of 10 m or by customer request

 Note
The only difference between KMP2-03-E-... (variant for inputs/outputs) and KMP2-03-V-... (variant for valves) lies in the different reverse polarity protection in the plug.



General technical data		KMP2-03-...
Type		KMP2-03-...
Type of mounting		Knurled ring
Mounting position		Any
Operating voltage range	[V]	Max. 250 AC
	[V]	Max. 300 DC
Current-carrying capacity	[A]	7.5
Cable composition	[mm ²]	26x0.75
Cable colour code		Black wires with continuous white numbering (1 ... 26)
Cable diameter	[mm]	15
Protection class to EN 60 529		IP65 (assembled)
Material of housing		Nickel-plated copper base alloy
Material of seal		Neoprene, light and oil resistant
Material of contacts		Gold-plated copper base alloy
Material of cable sheath		Polyvinyl chloride
Ambient temperature	[°C]	-20 ... +80
Ambient temperature of flexible cable installation	[°C]	-5 ... +80

Ordering data						
View	Electrical connection	Product weight		Cable length [m]	Type	Part No.
		Cable [g/m]	Total [g]			
	26-pin plug socket		3600	10	KMP2-03-E-10-26	175 665
	26-pin plug socket	Approx. 350	Acc. to length	Any	KMP2-03-E-X-26	18 683
	26-pin plug socket		3637	10	KMP2-03-V-10-26	175 667
	26-pin plug socket	Approx. 350	Acc. to length	Any	KMP2-03-V-X-26	18 681

Electrical connection technology, for multi-pin plug connection

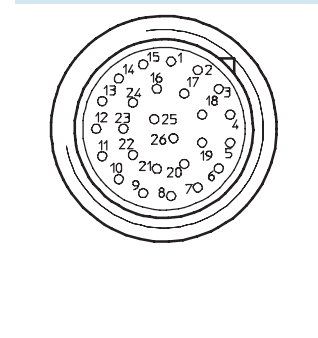
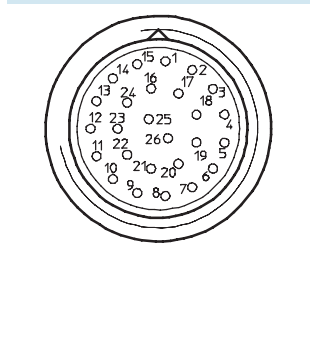
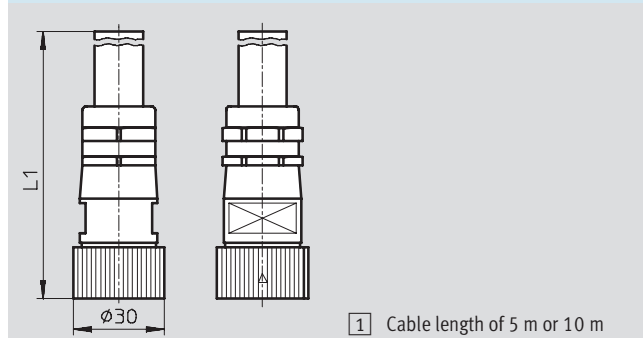
Technical data – KMP2-03-...

Download CAD data → www.festo.com

Dimensions
KMP2-03-...

Plug socket, N-coded
(KMP2-03-V-...)

Plug socket, Y-coded
(KMP2-03-E-...)



Wiring allocation (soldering side view)

KMP2-03-...						
	Pin	Wire number	Pin	Wire number	Pin	Wire number
	1	1	10	10	19	19
	2	2	11	11	20	20
	3	3	12	12	21	21
	4	4	13	13	22	22
	5	5	14	14	23	23
	6	6	15	15	24	24
	7	7	16	16	25	25
	8	8	17	17	26	26
	9	9	18	18	-	-