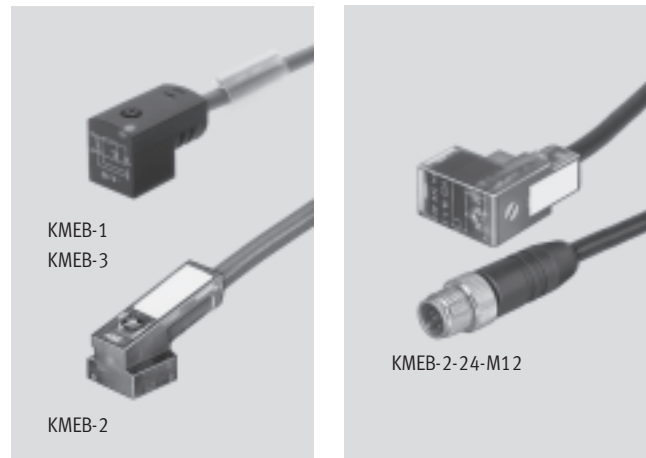


Electrical connection technology, for individual connection

Technical data – KMEB

- Plug socket with cable for connecting individual valves
- Pre-assembled
- Cable lengths: 2.5 m, 5 m and 10 m
- 3-pin plug socket
- 24 V DC: with LEDs and protective circuit
- Not suitable for chain link trunking



General technical data				
Type	KMEB-1-...	KMEB-2-...	KMEB-2-24-M12-...	KMEB-3-...
Electrical connection	Angled socket, 3-pin	Angled socket, 3-pin	Angled socket, 3-pin; straight plug, 5-pin, M12	Angled socket, 2-pin
Type of mounting	M2.5 central screw	M2.5 central screw	M2.5 central screw; threaded connector M12	M2.5 central screw
Mounting position	Any	Any	Any	Any
Constructional design [mm ²]	3x0.5	3x0.75	3x0.5	2x0.75
Cable diameter [mm]	5.2	6.2	5	5.2
Protection class to EN 60 529	IP65 (assembled)	IP65 (assembled)	IP65 (assembled)	IP65 (assembled)
Material of housing	Polyamide	Polymer	Polyurethane	Polycarbonate
Material of contacts	Silver-plated bronze	Tin-plated bronze	Tin-plated brass Silver-plated brass	Silver-plated bronze
Material of cable sheath	Polyvinyl chloride	Polyurethane	Polyurethane	Polyvinyl chloride
Ambient temperature [°C]	-20 ... +80	-20 ... +80	-5 ... +50	-20 ... +80

Ordering data						
	Signal status display LED	Operating voltage [V]	Product weight [g]	Cable length [m]	Type	Part No.
	■	24 DC	125	2.5	KMEB-1-24-2,5-LED	151 688
	■	24 DC	230	5	KMEB-1-24-5-LED	151 689
	■	24 DC	460	10	KMEB-1-24-10-LED	193 457
	-	230 AC	125	2.5	KMEB-1-230AC-2,5	151 690
	-	230 AC	230	5	KMEB-1-230-5	151 691
	■	24 DC	200	2.5	KMEB-2-24-2,5-LED	174 844
	■	24 DC	400	5	KMEB-2-24-5-LED	174 845
	-	230 AC	200	2.5	KMEB-2-230AC-2,5	174 846
	-	230 AC	400	5	KMEB-2-230-5	174 847
	■	24 DC	54	0.5	KMEB-2-24-M12-0,5-LED	177 677
	■	24 DC	215	2.5	KMEB-2-24-M12-2,5-LED	177 679
	■	24 DC	120	2.5	KMEB-3-24-2,5-LED	547 268
	■	24 DC	230	5	KMEB-3-24-5-LED	547 269
	-	24 DC	120	2.5	KMEB-3-24-2,5	547 270
	-	24 DC	230	5	KMEB-3-24-5	547 271

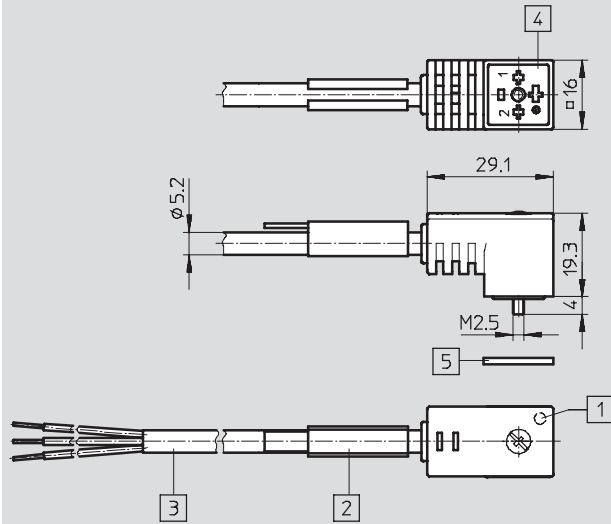
Electrical connection technology, for individual connection

Technical data – KMEB

Dimensions

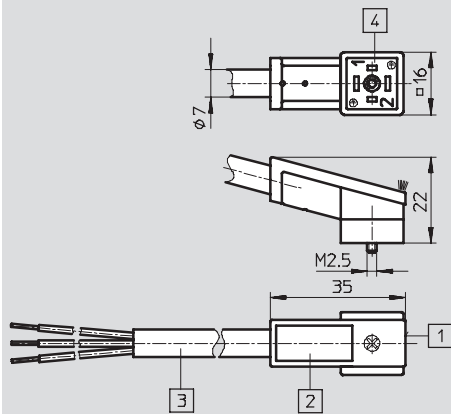
Download CAD data → www.festo.com

KMEB-1-...



- 1 LED illuminated area
- 2 Location for inscription label
- 3 3-wire cable
- 4 Connection pattern to DIN EN 175 301-803, type C
- 5 Seal

KMEB-2-...



- 1 LED illuminated area (integrated)
- 2 Inscription label
- 3 3-core cable, 2.5 m or 5 m (3x0.75 mm²)
- 4 Connection pattern to DIN EN 175 301-803, type C

Electrical connection technology, for individual connection

Technical data – KMEB

Dimensions Download CAD data → www.festo.com

KMEB-2-24-M12-...

1 3-core cable, 0.5 m or 2.5 m (3x0.5 mm²)

KMEB-3-...

1 LED illuminated area
 2 Location for inscription label
 3 2-wire cable
 4 Connection pattern to DIN EN 175 301-803, type C
 5 Seal

Circuit diagram

With integrated signal status display

The 24 V DC version is reverse polarity protected and has a protective circuit for peak voltages of up to 100 V DC, as well as an operating status indicator with yellow LED.
 (KMEB-...: there is no port gn/ge).

KMEB-2-24-M12-...

Without integrated signal status display

KMEB-...:
 – There is no port gn/ge
 – Operating voltage 24 V DC

KMEB-3-...