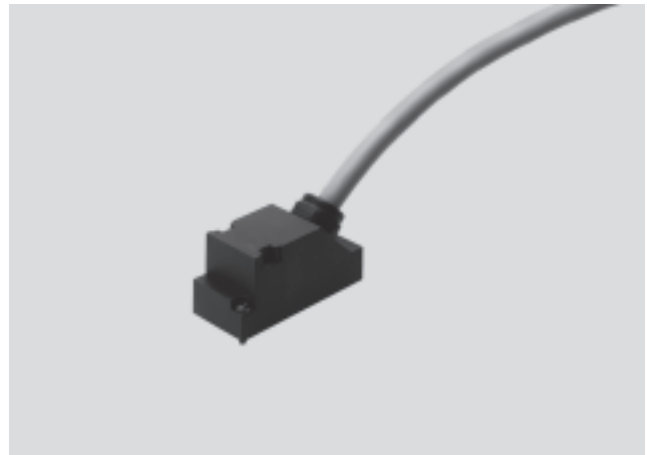


Electrical connection technology, for multi-pin plug connection

Technical data – KEA-1-25P-...

- Plug socket with cable for multi-pin connection
- Pre-assembled
- Cable lengths of 5 m, 10 m or by customer request
- 25-pin
- Sub-D



General technical data		KEA-1-25P-...
Type	KEA-1-25P-...	
Type of mounting	2 M3x16 screws	
Mounting position	Any	
Electrical connection	25-pin Sub-D socket	
Operating voltage range	[V]	250 AC
	[V]	250 DC
Current-carrying capacity	[A]	4
Cable diameter	[mm]	12
Protection class to EN 60 529	IP65 (assembled)	
Material of housing	Polyamide (Schulamid, 6GB30)	
Material of contacts	Gold-plated copper base alloy	
Material of cable sheath	Polyvinyl chloride	
Ambient temperature	[°C]	-20 ... +80
Ambient temperature of flexible cable installation	[°C]	-5 ... +70

Ordering data						
	Cable composition [mm ²]	Product weight		Cable length [m]	Type	Part No.
		Cable [g/m]	Total [g]			
	25x0.34		1092	5	KEA-1-25P-5	177 413
	25x0.34		2040	10	KEA-1-25P-10	177 414
	25x0.34	Approx. 190	Acc. to length	Any	KEA-1-25P-X	177 415

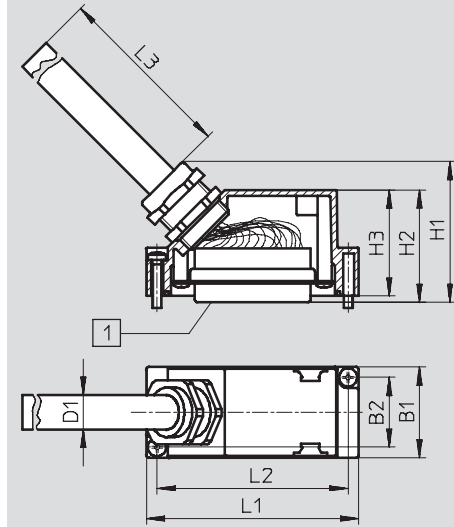
Electrical connection technology, for multi-pin plug connection

Technical data – KEA-1-25P-...

Dimensions

Download CAD data → www.festo.com

KEA-1-25P-...



Type	1	B1	B2	D1	H1	H2	H3	L1	L2	L
KEA-1-25P-...	25-pin Sub-D socket	30	23	12	47	37	35	70	63	Length according to type (5 m or 10 m)

Wiring allocation (socket view)

KEA-1-25P-...

	Pin	Core colour
	1	White
	2	Green
	3	Yellow
	4	Grey
	5	Pink
	6	Blue
	7	Red
	8	Purple
	9	Grey-pink
	10	Red-blue
	11	White-green
	12	Brown-green
	13	White-yellow
	14	Yellow-brown
	15	White-grey
	16	Grey-brown
	17	White-pink
	18	Pink-brown
	19	White-blue
	20	Brown-blue
	21	White-red
	22	Brown-red
	23	White-black
	24	Brown
	25	Black