

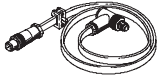
Electrical connection technology, for AS-interface

Technical data – KASI

- Addressing cable for any slaves including
 - Individual valve interface
 - Midi/maxi valve terminal with AS-interface connection
 - CP valve terminals
- Cable length 2.5 m
- Pre-assembled
- Reverse polarity protected



General technical data		
Type	Type	KASI-ADR
Connection type		Plug-in/screw-in
Connection cross-section	[mm ²]	2x 1.5
Protection class		IP65
Material of plug, straight	Housing	Polybuteneterephthalate
	Contacts	Copper base alloy
	Union nut	Polybuteneterephthalate
Material of plug, angled	Housing	Polyurethane
	Contacts	Bronze
	Union nut	Nickel-plated brass
Material of flat cable socket	Housing	Polyamide
	Contacts	Bronze
Material of cable sheath		Rubber compound
Ambient temperature	[°C]	-40 ... +85

Ordering data						
View	Electrical connection	Operating voltage range		Current-carrying capacity [A]	Type	Part No.
		[V]	[V]			
	Plug, straight, 4-pin Plug, angled, 4-pin Socket, straight, 2-pin	60 AC	75 DC	3	KASI-ADR	18 960

Electrical connection technology, for AS-interface

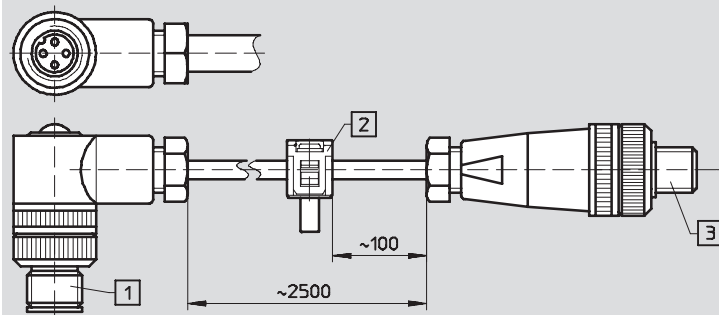
Technical data – KASI

FESTO

Dimensions

Download CAD data → www.festo.com

KASI-ADR



- 1 Round plug connector for connection to addressing device
- 2 Flat cable socket for connecting stations in the AS-interface network with plug-in connection
- 3 Flat cable socket with M12 connection plug for stations in the AS-interface network with M12 interface