


Manifold components, ISO 5599-1

Vertical stacking – Width 43 mm

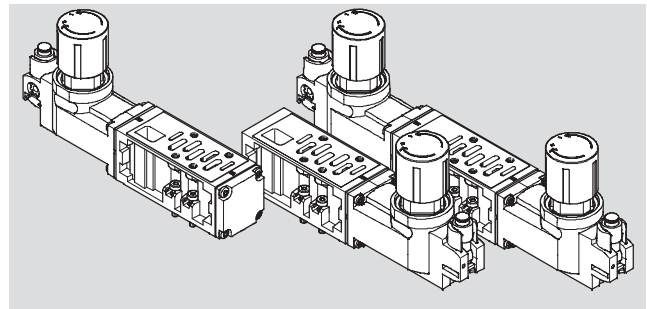
Regulator plate
VABF-S1-1-R ...

Material:
Housing: Die-cast aluminium
Control section: PA

 Ambient temperature
-5 ... +50 °C

Regulating function:
Input pressure: 0.5 ... 10 bar

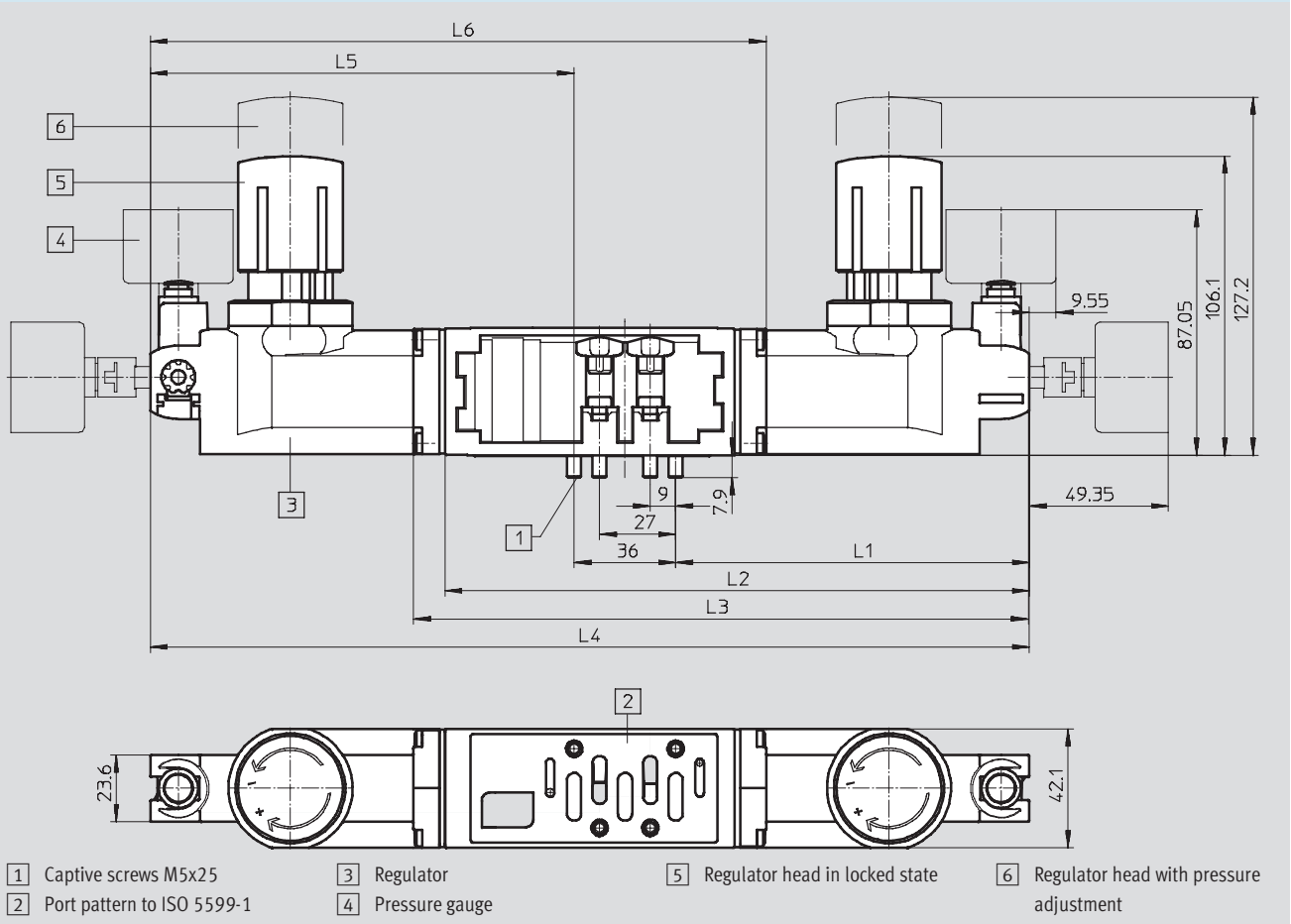
Pressure regulating ranges:
0.5 ... 6 bar, 0.5 ... 10 bar
Output pressure constant
with secondary venting



Dimensions

Download CAD data → www.festo.com

Regulator plate: A regulator, B regulator, AB regulator, P regulator



Dimensions							
Type	L1	L2	L3	L4	L5	L6	Weight [g]
VABF-S1-1-R1...	125.3	207.1	-	-	-	-	640
VABF-S1-1-R4(5)...	-	-	-	311.6	-	-	920
VABF-S1-1-R3(7)...	125.3	-	-	-	150.3	216.1	640
VABF-S1-1-R2(6)...	125.3	-	216.2	-	-	-	640

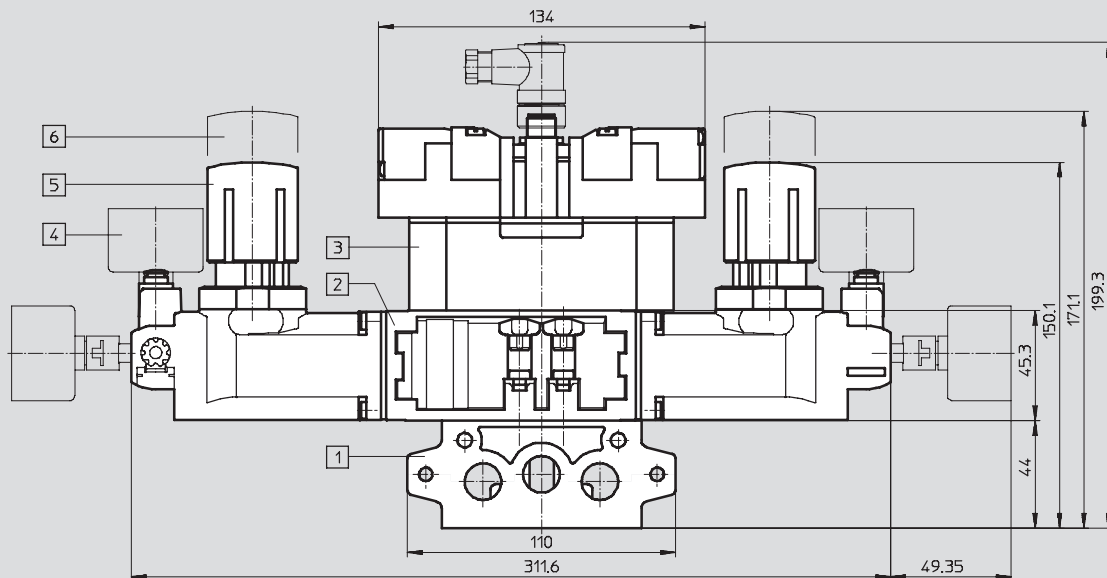
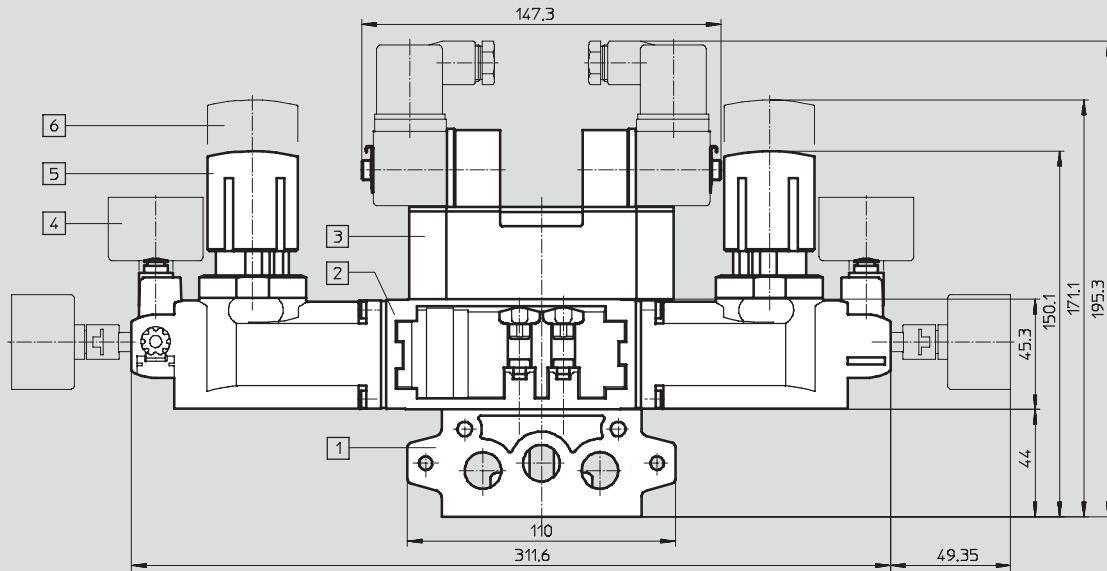
Manifold components, ISO 5599-1

Vertical stacking – Width 43 mm

Dimensions

Download CAD data → www.festo.com

Regulator plate with manifold sub-base and solenoid valve



- | | | | |
|-----------------------------------|--|---|--|
| 1 Manifold sub-base NAV | 3 Solenoid valve | 5 Regulator head in locked state | 6 Regulator head with pressure adjustment |
| 2 Pressure regulator plate | 4 Pressure gauge, freely positionable | | |

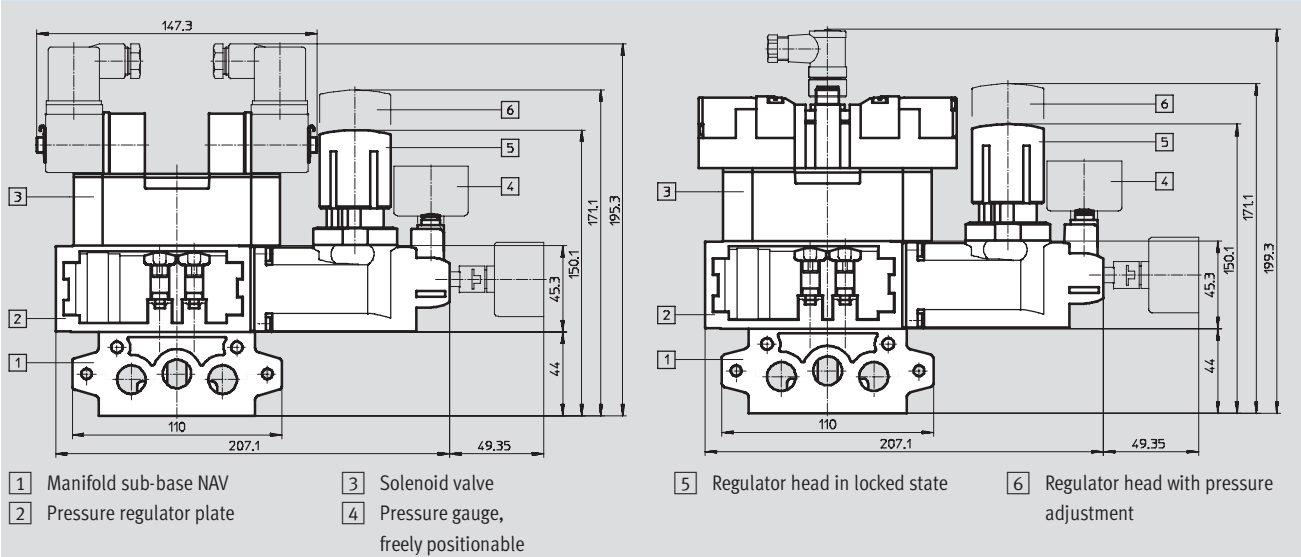
Manifold components, ISO 5599-1

Vertical stacking – Width 43 mm

FESTO
Dimensions

 Download CAD data → www.festo.com

Regulator plate with manifold sub-base and solenoid valve


Ordering data


Code	For connection	Regulator	Regulating range	Part No.	Type
Regulator plate width 43 mm					
ZA	1	P	0.5 ... 10 bar	546 818	VABF-S1-1-R1C2-C-10
ZF	1	P	0.5 ... 6 bar	546 817	VABF-S1-1-R1C2-C-6
ZB	4	A	0.5 ... 10 bar	546 822	VABF-S1-1-R2C2-C-10
ZG	4	A	0.5 ... 6 bar	546 821	VABF-S1-1-R2C2-C-6
ZC	2	B	0.5 ... 10 bar	546 820	VABF-S1-1-R3C2-C-10
ZH	2	B	0.5 ... 6 bar	546 819	VABF-S1-1-R3C2-C-6
ZD	2 and 4	AB	0.5 ... 10 bar	546 824	VABF-S1-1-R4C2-C-10
ZI	2 and 4	AB	0.5 ... 6 bar	546 823	VABF-S1-1-R4C2-C-6
ZE	2 and 4, reversible	AB	0.5 ... 10 bar	546 826	VABF-S1-1-R5C2-C-10
ZJ	2 and 4, reversible	AB	0.5 ... 6 bar	546 825	VABF-S1-1-R5C2-C-6
ZL	2, reversible	B	0.5 ... 10 bar	546 828	VABF-S1-1-R6C2-C-10
ZN	2, reversible	B	0.5 ... 6 bar	546 827	VABF-S1-1-R6C2-C-6
ZK	4, reversible	A	0.5 ... 10 bar	546 830	VABF-S1-1-R7C2-C-10
ZM	4, reversible	A	0.5 ... 6 bar	546 829	VABF-S1-1-R7C2-C-6

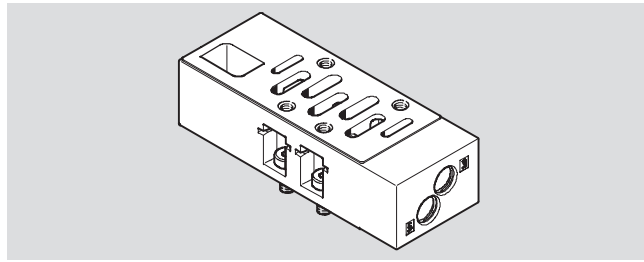
Manifold components, ISO 5599-1

Vertical stacking – Width 43 mm

Flow control plate
VABF-S1-1-F1B1-C

Material:
Housing: Die-cast aluminium

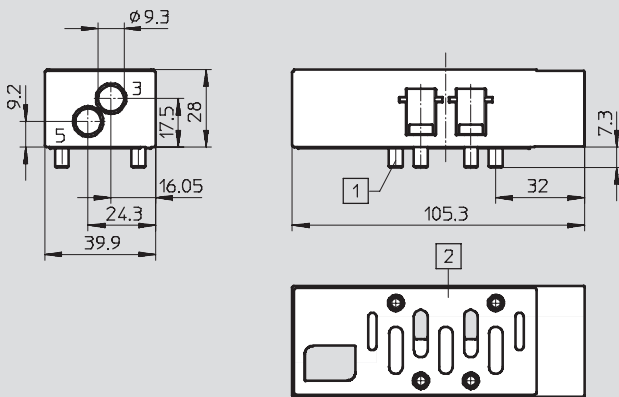
 Ambient temperature
-5 ... +50 °C



Dimensions

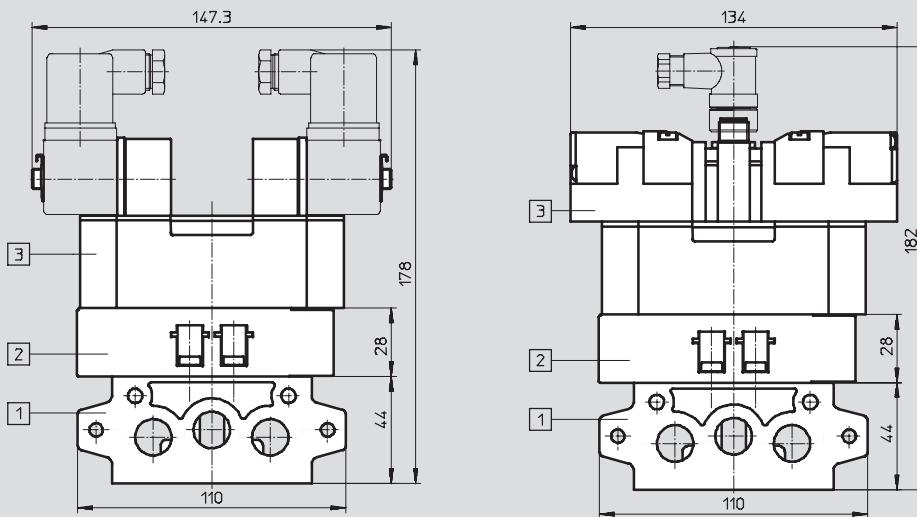
Download CAD data → www.festo.com

Flow control plate



- 1 Captive screws M5x25
- 2 Port pattern to ISO 5599-1

Flow control plate with manifold sub-base and solenoid valve



- 1 Manifold sub-base NAV
- 2 Flow control plate
- 3 Solenoid valve

Ordering data



Code	Description	Weight [g]	Part No.	Type
X	For exhaust air flow control in ports 3 and 5 of the valve	220	549 102	VABF-S1-1-F1B1-C

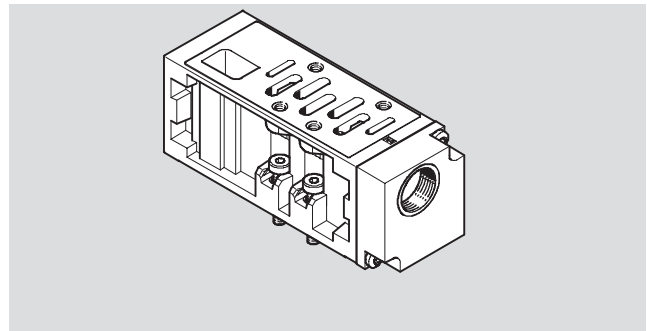
Manifold components, ISO 5599-1

Vertical stacking – Width 43 mm

Vertical supply plate VABF-S1-1-P1A3-G38

Material:
Housing: Die-cast aluminium

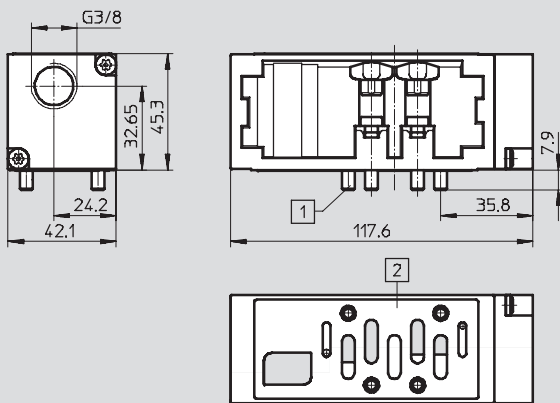
-  Ambient temperature
-5 ... +50 °C
-  Operating pressure
-0.9 ... +10 bar



Dimensions

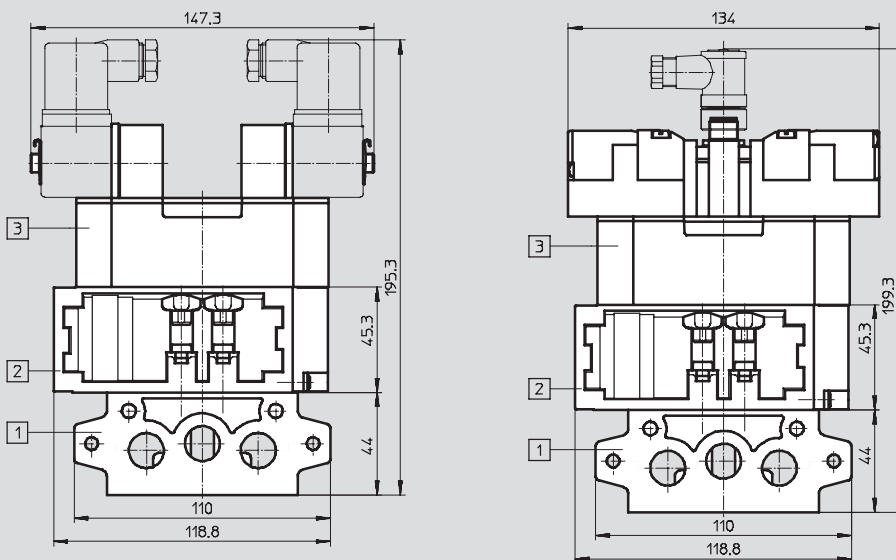
Vertical supply plate

Download CAD data → www.festo.com



- 1 Captive screws M5x25
- 2 Port pattern to ISO 5599-1

Vertical supply plate with manifold sub-base and solenoid valve



- 1 Manifold sub-base NAV
- 2 Vertical supply plate
- 3 Solenoid valve

Ordering data



Code	Description	Weight [g]	Part No.	Type
ZU	For the independent working air supply of a valve	340	549 100	VABF-S1-1-P1A3-G38

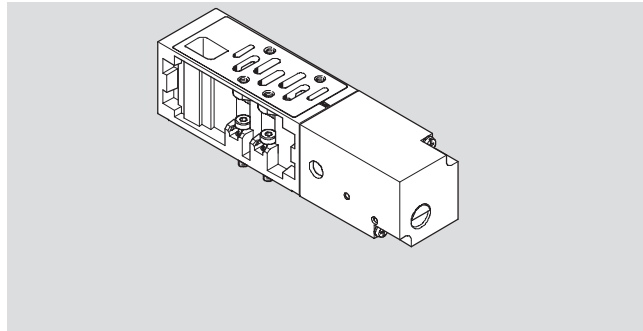
Manifold components, ISO 5599-1

Vertical stacking – Width 43 mm

Vertical shut-off plate VABF-S3-1-L1D1-C

Material:
Housing: Die-cast aluminium

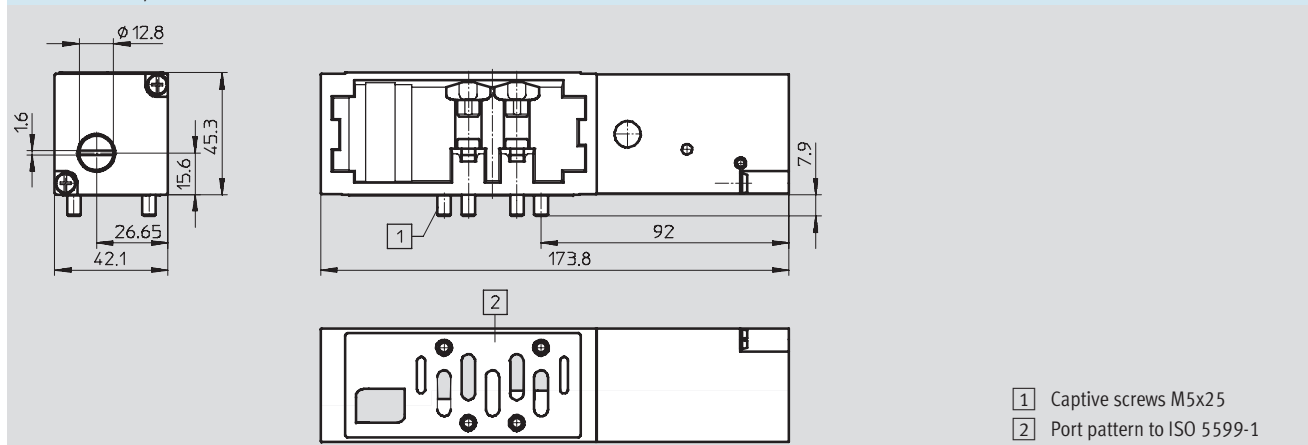
-  Ambient temperature
-5 ... +50 °C
-  Operating pressure
-0.9 ... +10 bar



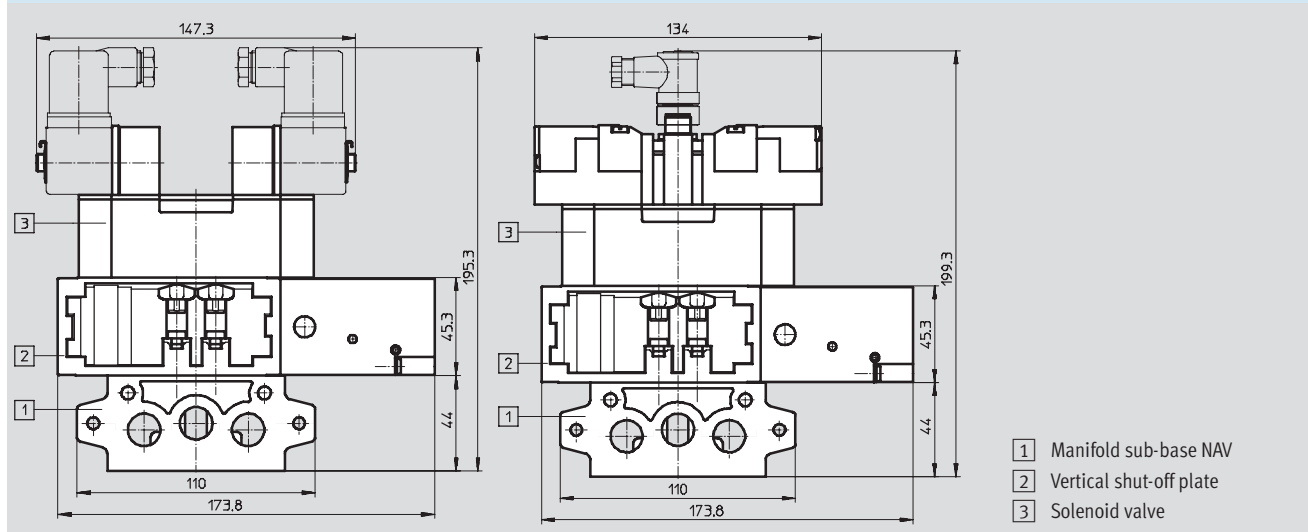
Dimensions

Download CAD data → www.festo.com

Vertical shut-off plate



Vertical shut-off plate with manifold sub-base and solenoid valve



Ordering data

Code	Description	Weight [g]	Part No.	Type
ZT	For shutting off a valve from the supply pressure	600	549 103	VABF-S1-1-L1D1-C