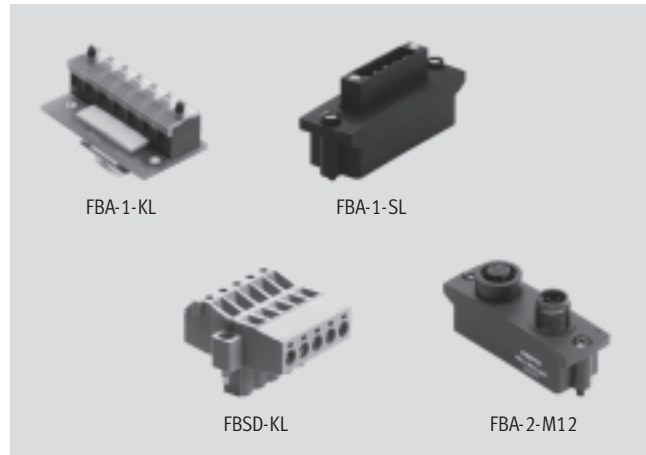


Electrical connection technology, for fieldbus connection

Technical data – BA/FBSD

- Plug/socket for fieldbus connection
- Adapter for Sub-D plug and socket
- Plug/socket, 9-pin, on connection, 5-pin/2x5-pin



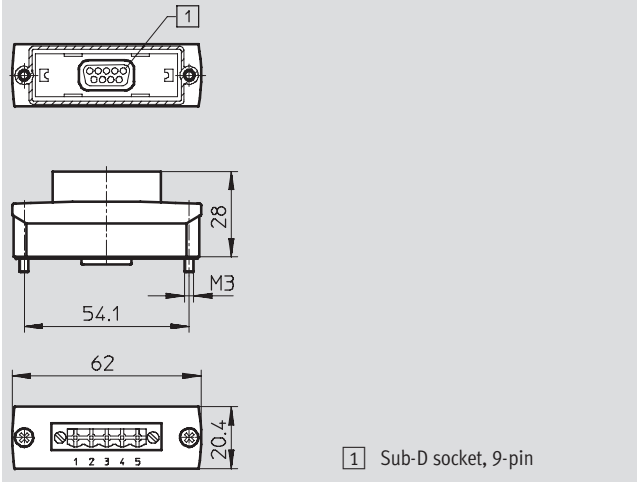
General technical data		
Type	FBA...	FBSD-KL-...
Type of mounting	2 M3x20 screws	2 M2.5x12 screws
Mounting position	Any	
Operating voltage range [V]	24 DC	
Material of housing	Polyamide	
Material of contacts	Gold-plated bronze	
Ambient temperature [°C]	-5 ... +50	
Storage temperature [°C]	-20 ... +70	

Ordering data							
	Electrical connection	Max. wire cross section [mm ²]	Current-carrying capacity [A]	Protection class to EN 60 529	Product weight [g]	Type	Part No.
	Plug, straight, Sub-D, 9-pin, screw terminal, 5-pin	0.5	7.5	IP20	47	FBA-1-KL-5POL	197 962
	Straight socket, Sub-D, 9-pin, plug/socket, M12, 5-pin	–	4	IP65	28	FBA-2-M12-5POL	525 632
	Straight socket, Sub-D, 9-pin, plug, 5-pin	–	4	IP40	26	FBA-1-SL-5POL	525 634
	Socket, angled, 5-pin, screw terminal, 5-pin	0.2 ... 2.5	12	IP20	20	FBSD-KL-2x5POL	525 635

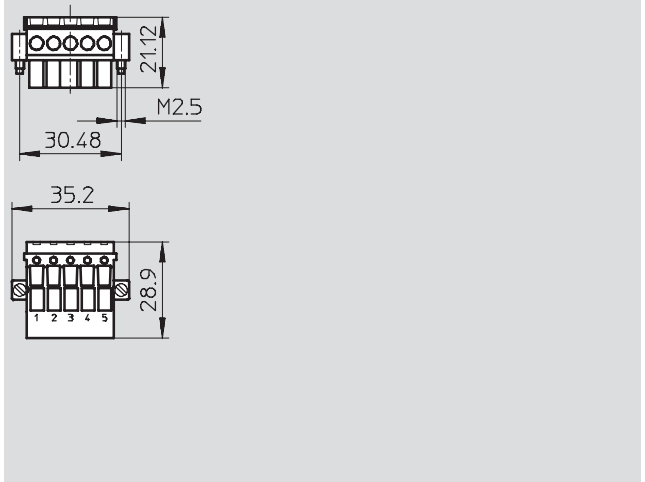
Dimensions

Download CAD data → www.festo.com

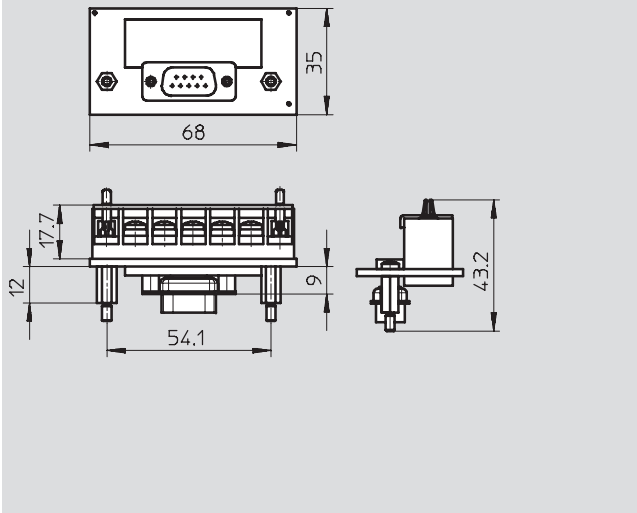
FBA-1-SL-...



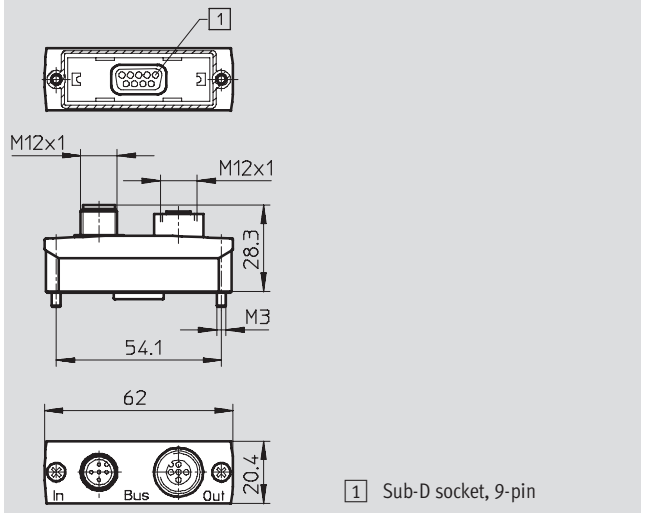
FBSD-KL-...



FBA-1-KL-...

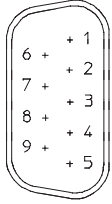
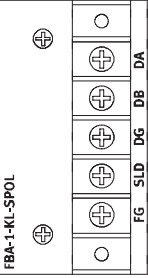
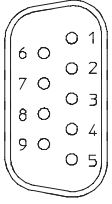
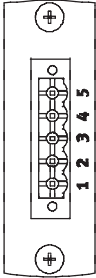
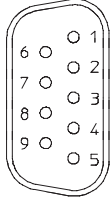
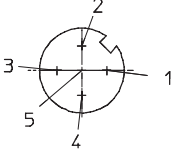
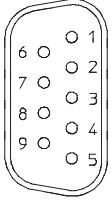
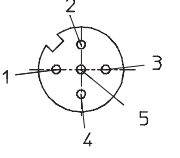


FBA-2-...



Electrical connection technology, for fieldbus connection

Technical data – FBA/FBSD

Pin allocation Sub-D/opposite side								
FBA-1-KL-5POL				FBA-1-SL-5POL				
Sub-D connection	Pin	Pin	Terminal strip	Sub-D connection	Pin	Pin	Plug	
	1				1			
	2	DA				2		
	3	DG				3		1
	4					4		
	5	FG				5		3
	6					6		
	7	DB				7		4
	8					8		
	9					9		5
	Housing	SLD				Housing		3
FBA-2-M12-5POL								
Sub-D connection	Pin	Pin	Plug	Sub-D connection	Pin	Pin	Socket	
	1				1			
	2	2				2		
	3	1				3		1
	4					4		
	5	3				5		3
	6					6		
	7	4				7		4
	8					8		
	9	5				9		5
	Housing	3				Housing		3