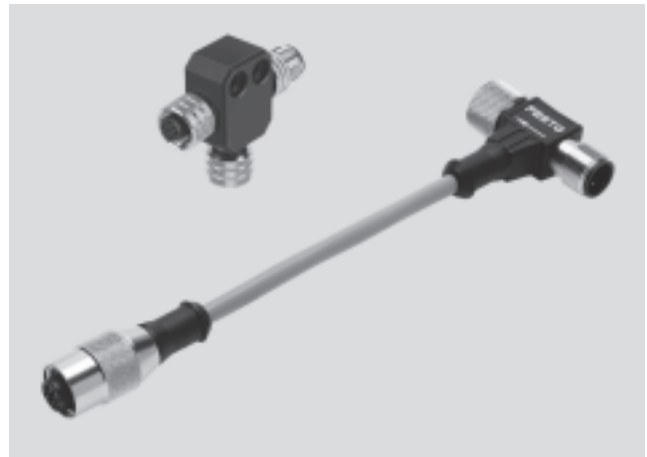


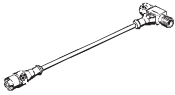

Electrical connection technology, for fieldbus connection

Technical data – FB-TA

- T-adapter for fieldbus connection (for valve terminal type 02, type 03, type 04, CPV and CP installation system)
- Branch line for the connection and disconnection of fieldbus components
- Connected fieldbus components can be unplugged without interrupting signal transmission (to other components)
- FB-TA-1 with open cable end for self-assembly
- FB-TA and FB-TA-1 with 5-pin push-in connectors, but only 3 continuous contacts



General technical data		FB-TA-...
Type		FB-TA-...
Type of mounting		M12 union nut
Mounting position		Any
Operating voltage range	[V]	10 ... 30 DC
Current-carrying capacity	[A]	4
Cable diameter	[mm]	5 (except FB-TA-M12-5POL)
Protection class to EN 60 529		IP67
Material of housing		Polyamide
Material of cable sheath		Polyvinyl chloride (except FB-TA-M12-5POL)
Ambient temperature	[°C]	-25 ... +90

Ordering data						
	Electrical connection	Material of contacts	Construc-tional design [mm ²]	Product weight [g]	Type	Part No.
	Socket/plug, 5-pin, M12	Brass, nickel-plated/tin-plated	2x0.25	37	FB-TA	18 498
		Brass, nickel-plated/tin-plated	2x0.25	23	FB-TA-1	18 499
	Socket/plug, 5-pin, M12	Bronze, gold-plated	–	39	FB-TA-M12-5POL	171 175

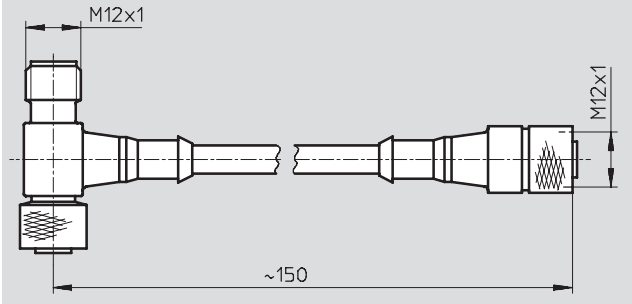
Electrical connection technology, for fieldbus connection

Technical data – FB-TA

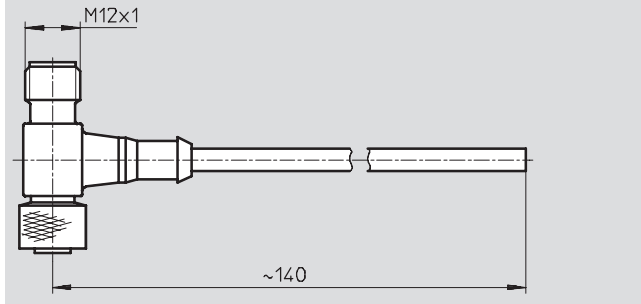
Dimensions

Download CAD data → www.festo.com

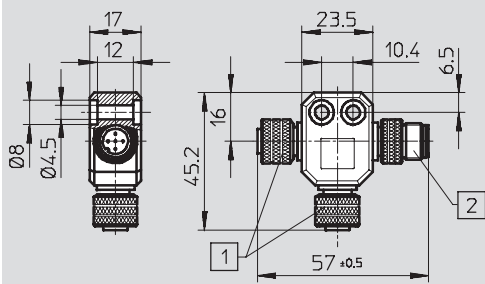
FB-TA



FB-TA-1



FB-TA-M12-5POL



- 1 Socket, M12, 5-pin
- 2 Plug, M12, 5-pin

Electrical connection technology, for fieldbus connection

Technical data – FB-TA

Wiring allocation (socket/plug view)		
FB-TA		
Socket	Wiring allocation	Plug
FB-TA-1		
Socket	Wiring allocation	Plug
FB-TA-M12-5POL		
Socket	Wiring allocation	Plug