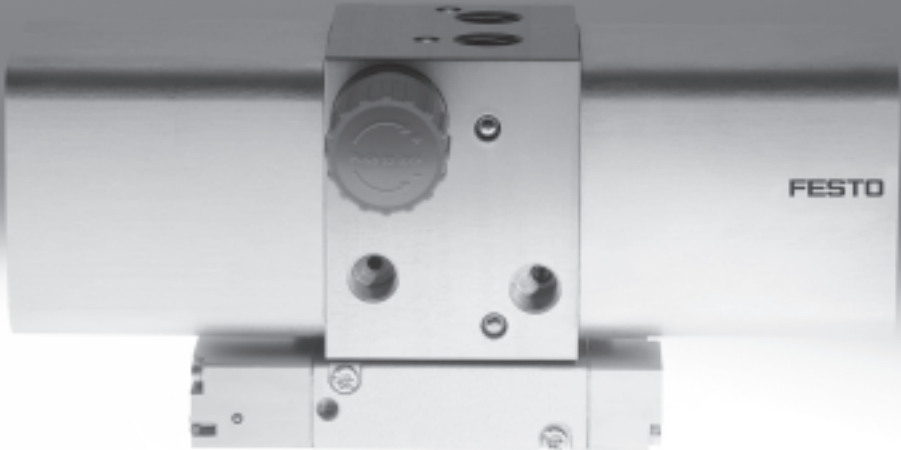


Pressure boosters DPA



Pressure boosters DPA

Key features

Function

The pressure booster is a twin-piston pressure intensifier intended solely for compressing air.

When the DPA is pressurised with compressed air, integrated non-return valves automatically facilitate pressure build-up on the secondary side. The output pressure p_2 can increase up to twice the value of the supply

pressure p_1 . The required output pressure is set using a manually operated pressure regulator. In the case of pressure boosters without a pressure regulator, the output pressure is always twice the supply pressure. The air supply to both drive pistons is controlled by a pneumatic directional control valve that reverses

automatically when the stroke end position is reached.

The pressure booster starts automatically when the supply pressure is applied and the desired output pressure has not yet been reached. When the set output pressure is reached, the pressure booster

switches to energy-saving mode but restarts automatically if the pressure drops during system operation. With the DPA with sensing option, it is also possible to record individual strokes of the drive piston with the aid of an external sensor and adding counter.

Note

Pressure boosters are intended for the occasional relieving of compressed air. They are not suitable as a replacement for compressors, as wear on seals and drive pistons increases significantly during continuous operation without breaks.

Note

The pressure regulator is supplied with a non-tensioned regulator spring (DPA...-10/16 only). After the supply pressure is applied, the regulator spring is pretensioned by turning the regulator knob until the desired output pressure p_2 is achieved.

A pressure gauge is strongly recommended to monitor the output pressure p_2 . In the case of the DPA-63/100, the regulator setting can be secured against unauthorised adjustment by means of the regulator lock LRVS.

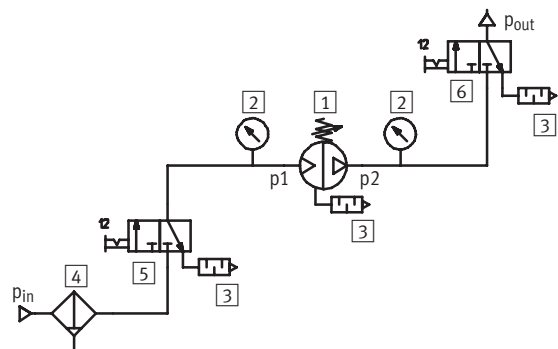
Connection to the compressed air network

Supply pressure side

The use of a 3-way on-off valve (e.g. HE...-D, HEE...-D or a similar type) in the air supply line to the pressure booster is recommended. The 3-way on-off valve must not be opened until the supply pressure p_{in} has already built up.

Output pressure side

The connection of a 3-way on-off valve on the output pressure side of the pressure booster is recommended for safe venting of the output pressure p_{out} . If a 3-way valve is not used, the output pressure can only be vented by fully releasing the regulator spring (regulator knob turned all the way to the left).



Note

If there is a soft-start valve in the system, it is essential that a 3-way on-off valve is inserted between the soft-start valve and pressure booster.

Note

In the case of pressure boosters without pressure regulator, external venting must be ensured via a 3-way on-off valve.

- 1 Pressure booster
- 2 Pressure gauge
- 3 Silencer
- 4 Filter

- 5 3-way on-off valve on the supply pressure side
- 6 3-way on-off valve on the output pressure side

Pressure boosters DPA

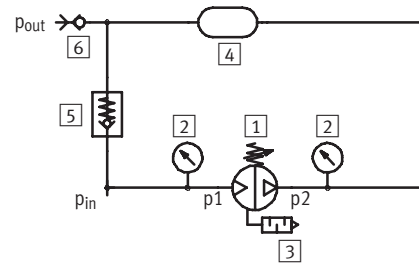
Key features

Installation with air reservoir

An air reservoir (e.g. CRVZS) should always be used on the output pressure side to compensate for pressure fluctuations. The air reservoir evens out the pulsation of the pressure booster. An effective way of filling the air reservoir with the supply pressure p_1 is via a connecting cable.

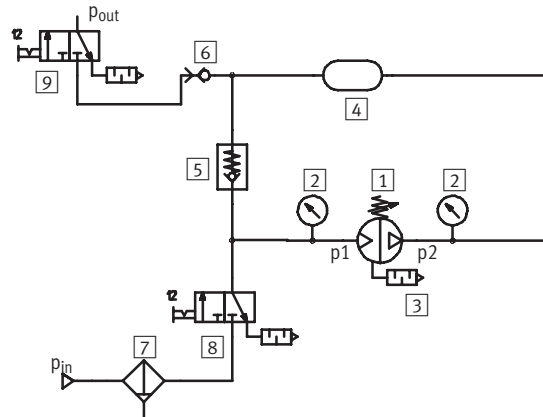
the difference between the supply and output pressures. The air reservoir is filled faster. A non-return valve prevents the air from flowing back out of the reservoir.

This configuration corresponds to the scope of delivery of the pressure booster/air reservoir combination that can be ordered (→ 16).



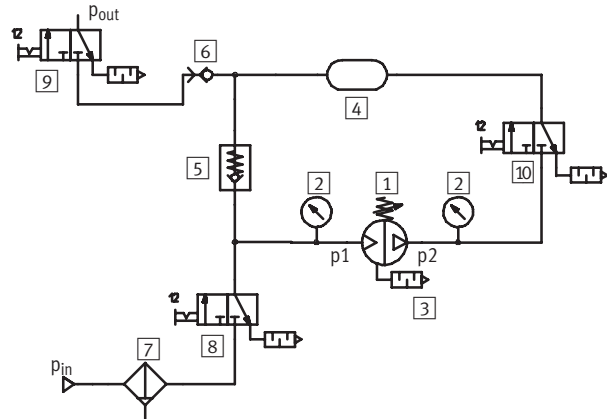
Circuitry with 2 on-off valves

The air reservoir is vented via the regulator knob of the pressure booster.



Circuitry with 3 on-off valves

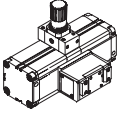
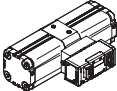
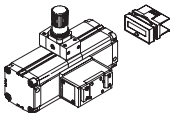
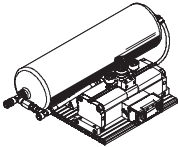
The air reservoir is vented via the additional on-off valve.



- | | |
|-------------------------|---|
| 1 Pressure booster | 7 Filter |
| 2 Pressure gauge | 8 3-way on-off valve on the supply pressure side |
| 3 Silencer | 9 3-way on-off valve on the output pressure side |
| 4 Air reservoir | 10 3-way on-off valve for venting the air reservoir |
| 5 Non-return valve | |
| 6 Quick coupling socket | |

Pressure boosters DPA

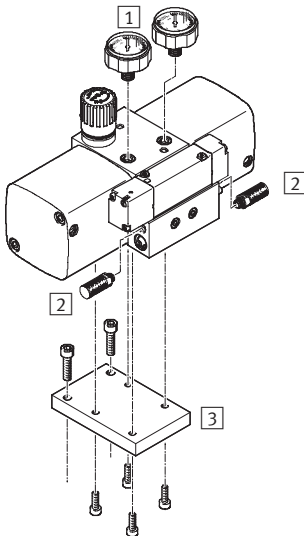
Product range overview

Function	Version	Type	Piston Ø [mm]	→ Page/Internet
Pressure booster	Standard			
		DPA	40, 63, 100	5
	Without pressure regulator, double supply pressure			
		DPA-...-D	40, 63, 100	5
Pressure booster/ air reservoir combination	With sensing option			
		DPA-...-A	63, 100	5
Pressure booster/ air reservoir combination		DPA-...-CRVZS	40, 63, 100	16

Pressure boosters DPA

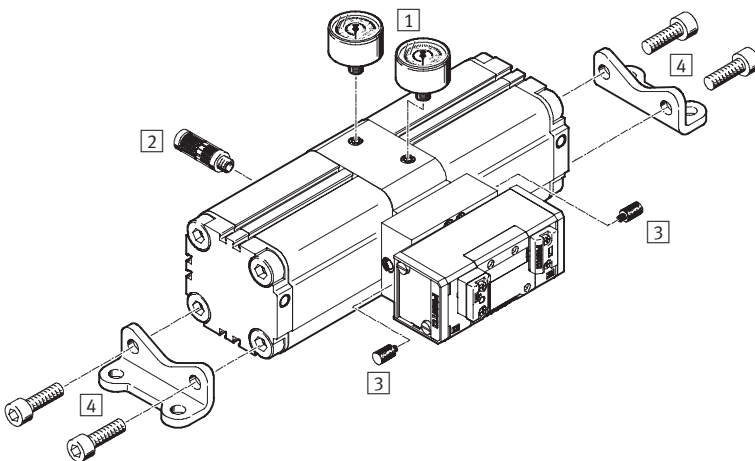
Peripherals overview

DPA-40-10/16/D



Mounting attachments and accessories		Brief description	→ Page/Internet
1	Pressure gauge set DPA-MA-SET	For monitoring the supply and output pressure	22
2	Silencer UC	For noise reduction at the exhaust port	25
3	Flange mounting FDPA	For mounting the pressure booster on other machine parts	21

DPA-63/100-D

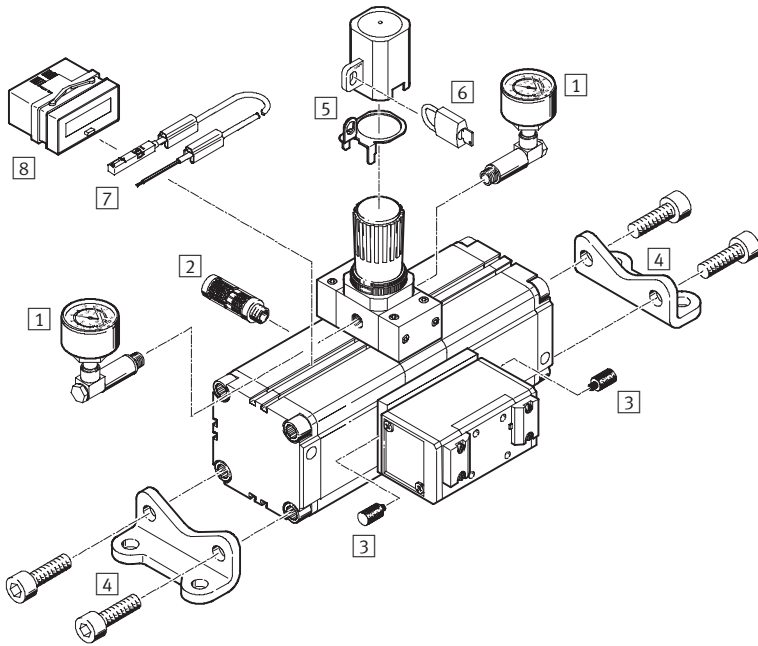


Mounting attachments and accessories		Brief description	→ Page/Internet
1	Pressure gauge MA	For monitoring the supply and output pressure	23
2	Silencer U...-B	For noise reduction at the exhaust port	25
3	Silencer U-M3	For noise reduction at the valve exhaust port	25
4	Foot mounting HUA	For mounting the pressure booster on other machine parts	21

Pressure boosters DPA

Peripherals overview

DPA-63/100-10/16(-A)



Mounting attachments and accessories			
	Brief description	→ Page/Internet	
1	Pressure gauge set DPA-MA-SET	For monitoring the supply and output pressure	22
2	Silencer U-...-B	For noise reduction at the exhaust port	25
3	Silencer U-M3	For noise reduction at the valve exhaust port	25
4	Foot mounting HUA	For mounting the pressure booster on other machine parts	21
5	Regulator lock LRVS-D with lock plate	Prevents unintentional, and in conjunction with an LRVS padlock, unauthorised adjustment of the rotary knob	25
6	Padlock LRVS-D	Accessory for regulator lock LRVS-D	25
7	Proximity sensor SME-8M/SMT-8M	For registering individual strokes of the drive piston (only DPA-...-A)	24
8	Adding counter CCES	For counting the switching cycles (only DPA-...-A)	24

Pressure boosters DPA

Type codes

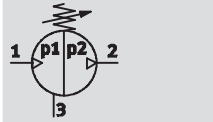
		DPA	–	63	–	16	–	A
Basic function								
DPA	Pressure booster							
Piston Ø								
40	40 mm							
63	63 mm							
100	100 mm							
Output pressure [bar]								
DPA-40								
10	4,5 ... 10, adjustable with pressure regulator							
16	4,5 ... 16, adjustable with pressure regulator							
D	Double supply pressure, without pressure regulator							
DPA-63/100								
10	4 ... 10, adjustable with pressure regulator							
16	4 ... 16, adjustable with pressure regulator							
D	Double supply pressure, without pressure regulator							
Sensing (DPA-63/100-10/16 only)								
	No sensing possibility							
A	With sensing possibility							

Pressure boosters DPA

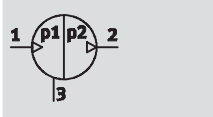
Technical data




FESTO

Function
with pressure regulator

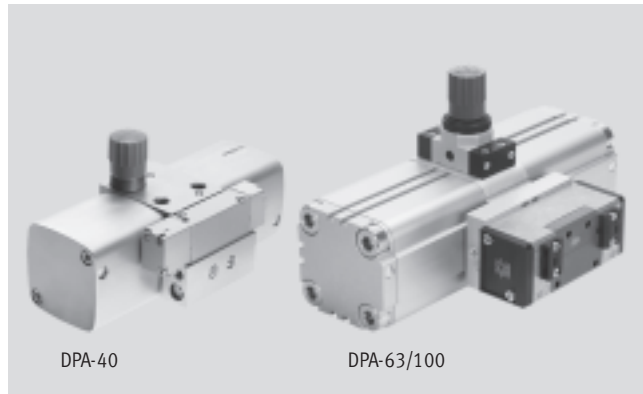


without pressure regulator



-  - Temperature range
+5 ... +60 °C
-  - Pressure ratio
1:2
-  - www.festo.com

Wearing parts kits
→ 15



- Any mounting position
- Long service life
- Compact construction and attractive design
- Minimal loss of volume due to valve actuation
- Short filling times

General technical data – DPA with pressure regulator

Type DPA-	No sensing option					With sensing option				
	40-10	40-16	63-10	63-16	100-10	100-16	63-10-A	63-16-A	100-10-A	100-16-A
Piston \varnothing [mm]	40		63		100		63		100	
Pneumatic connection 1, 2	G $\frac{1}{4}$		G $\frac{3}{8}$		G $\frac{1}{2}$		G $\frac{3}{8}$		G $\frac{1}{2}$	
Pneumatic connection 3	M7		G $\frac{3}{8}$		G $\frac{1}{2}$		G $\frac{3}{8}$		G $\frac{1}{2}$	
Constructional design	Twin-piston pressure booster					Twin-piston pressure booster				
	-					With magnet on piston				
Type of mounting	Via female thread									
Mounting position	Any									
Pressure indication	G $\frac{1}{8}$ prepared		G $\frac{1}{8}$ prepared		G $\frac{1}{4}$ prepared		G $\frac{1}{8}$ prepared		G $\frac{1}{4}$ prepared	

- | - Note: This product conforms with the ISO 1179-1 standard and the ISO 228-1 standard.

General technical data – DPA without pressure regulator

Type DPA-	40-D	63-D	100-D
Piston \varnothing [mm]	40	63	100
Pneumatic connection 1, 2	G $\frac{1}{4}$	G $\frac{3}{8}$	G $\frac{1}{2}$
Pneumatic connection 3	M7	G $\frac{3}{8}$	G $\frac{1}{2}$
Constructional design	Twin-piston pressure booster		
Type of mounting	Via female thread		
Mounting position	Any		
Pressure indication	G $\frac{1}{8}$ prepared		

- | - Note: This product conforms with the ISO 1179-1 standard and the ISO 228-1 standard.

Pressure boosters DPA

Technical data

Operating and environmental conditions						
Type DPA-	DPA with pressure regulator				DPA without pressure regulator	
	40-10	40-16	63/100-10(-A)	63/100-16(-A)	40-D	63/100-D
Supply pressure p1 [bar]	2.5 ... 8	2.5 ... 10	2 ... 8	2 ... 10	2.5 ... 8	2 ... 8
Output pressure p2 [bar]	4.5 ... 10 ¹⁾	4.5 ... 16 ¹⁾	4 ... 10 ¹⁾	4 ... 16 ¹⁾	5 ... 16	4 ... 16
Operating medium	Filtered compressed air, unlubricated, grade of filtration 40µm					
Ambient temperature [°C]	+5 ... +60					
Storage temperature [°C]	+5 ... +60					
Corrosion resistance class CRC ²⁾	2					

1) The differential pressure between the supply and output pressure must be at least 2 bar.

2) Corrosion resistance class 2 as per Festo standard 940 070

Components subject to moderate corrosion stress. Externally visible parts with primarily decorative surface requirements which are in direct contact with a normal industrial environment or media such as coolants or lubricating agents.

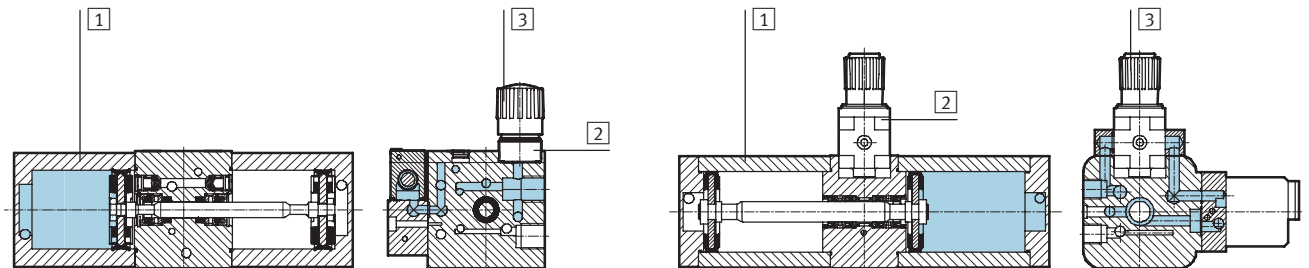
Weight [g]			
Type DPA-	40	63	100
Pressure booster	1,500	6,000	13,000

Recommended tubing			
Type DPA-	40	63	100
For supply pressure	PAN-10x1,5	PAN-16x2	P-19-SW, PAN-16x2
For output pressure	PAN-R-8x1,5	PAN-R-16x3	PAN-R-16x3

Materials

Sectional view DPA-40

Sectional view DPA-63/100



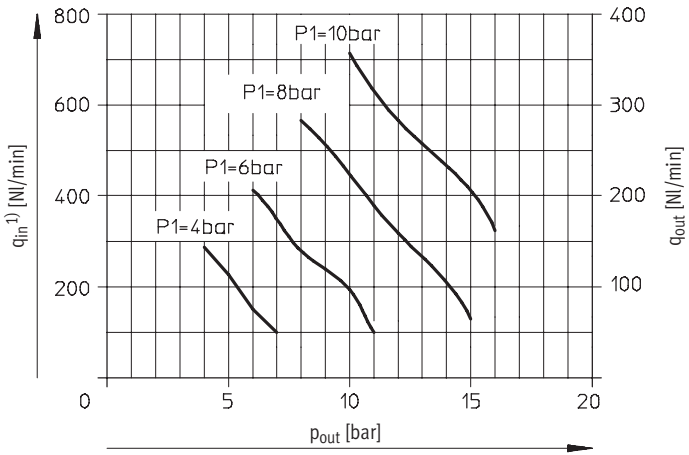
Pressure booster	DPA-40	DPA-63/100-10	DPA-63/100-16
1) Housing	Aluminium		
2) Support	Aluminium	Polyester	Aluminium
3) Rotary knob	Polyacetate		
- Piston/piston rod seals	Hydrogenated nitrile rubber	Polyurethane	
- Non-return valve seals	Nitrile rubber	Fluoro elastomer	
- Regulator/valve seals	Nitrile rubber		

Pressure boosters DPA

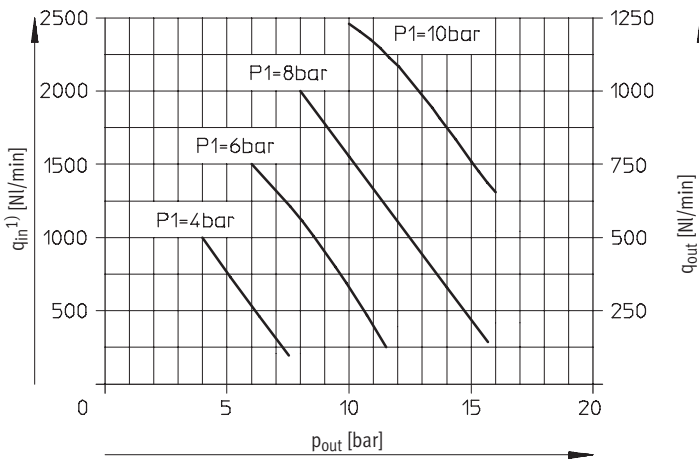
Technical data

Flow rate at input $q_{in}^{(1)}$ and flow rate at output q_{out} as a function of output pressure p_{out}

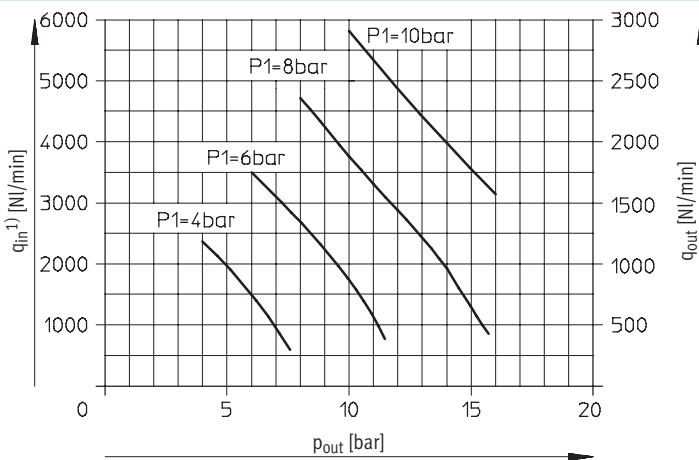
DPA-40



DPA-63



DPA-100



1) Theoretical values without switching losses and friction.

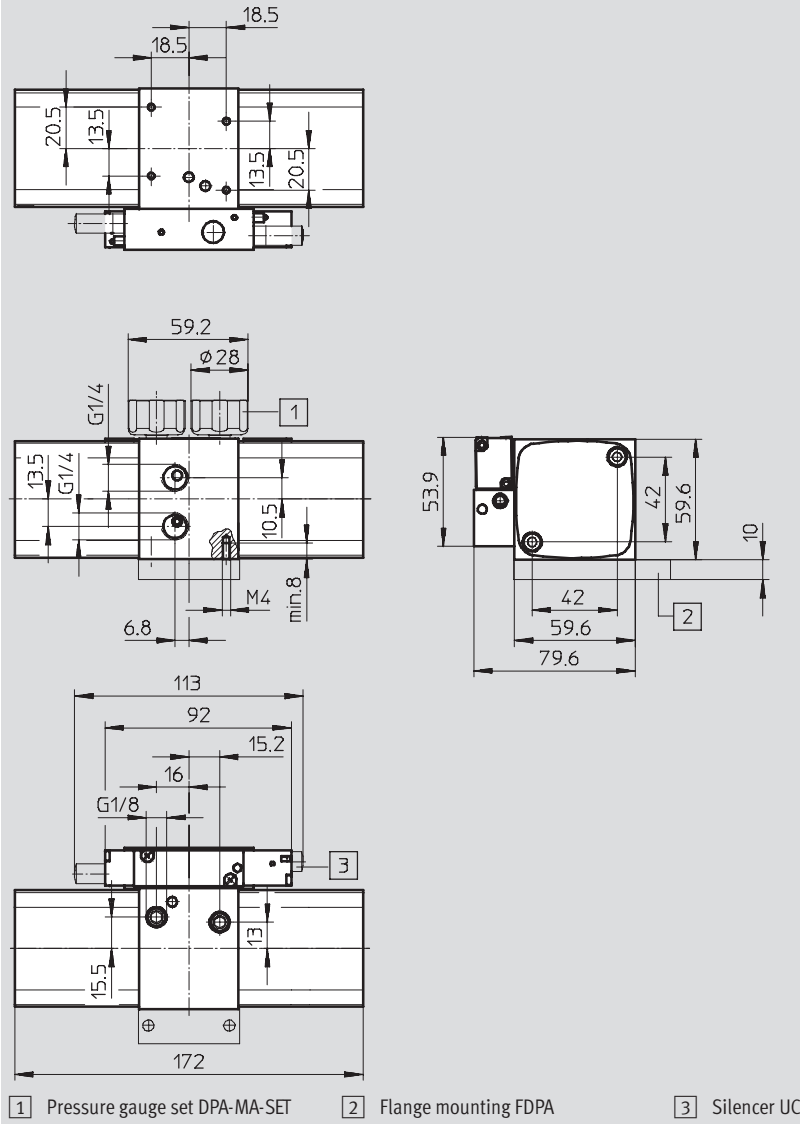
Pressure boosters DPA

Technical data

Dimensions – DPA without pressure regulator

Download CAD data → www.festo.com

DPA-40-D



Note: This product conforms with the ISO 1179-1 standard and the ISO 228-1 standard.

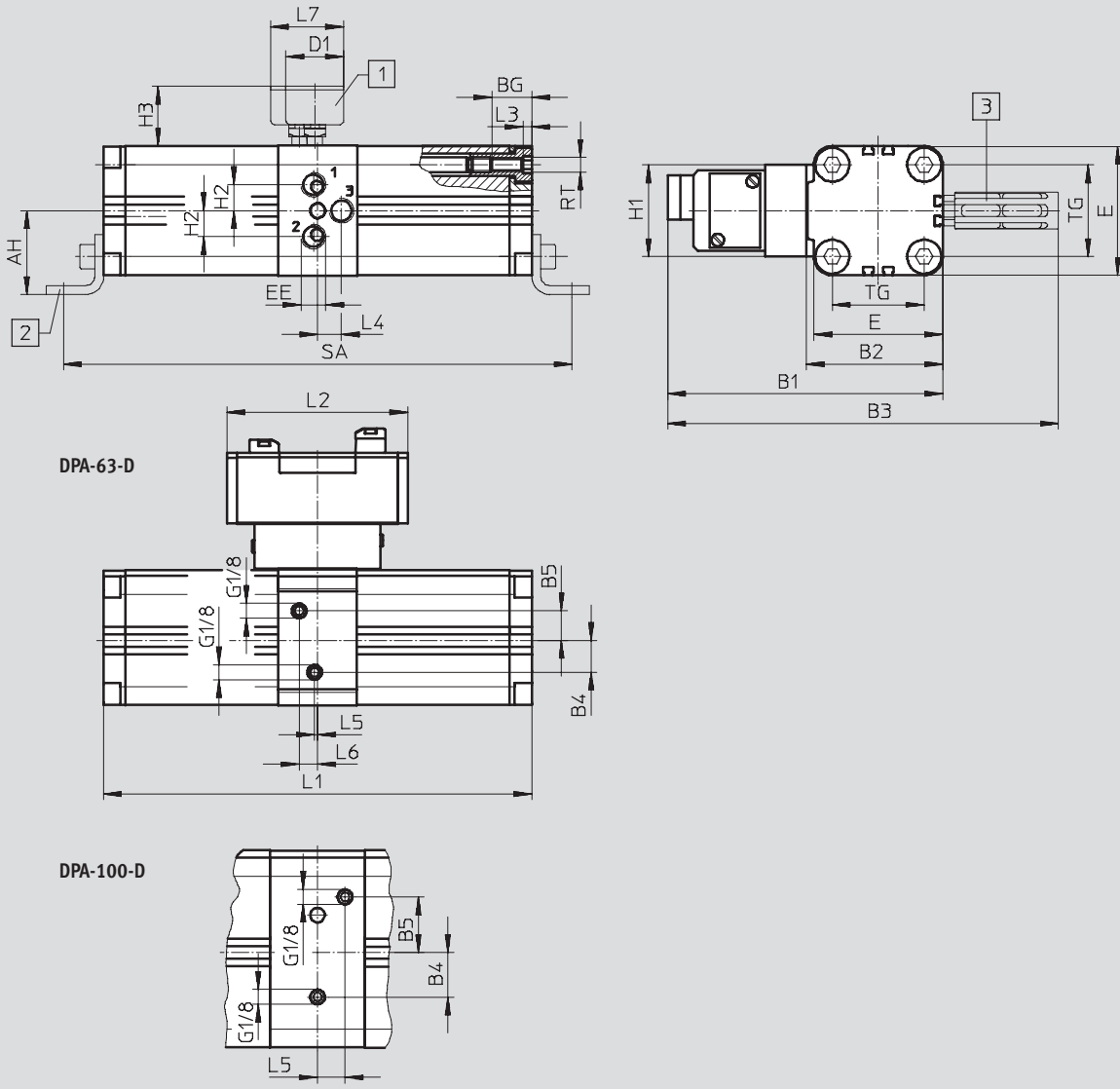
Pressure boosters DPA

Technical data

Dimensions – DPA without pressure regulator

Download CAD data → www.festo.com

DPA-63/100-D



1 Pressure gauge MA 2 Foot mounting HUA 3 Silencer U

Type	AH	B1	B2	B3	B4	B5	BG	D1 ∅	E	EE	H1	H2
DPA-63	56.5	187	92.5	266	21.4	19.9	25	39	88	G $\frac{3}{8}$	62	17.5
DPA-100	81	244	133	352	30	37.5	30		128	G $\frac{1}{2}$	71	27

Type	H3	L1	L2	L3	L4	L5	L6	L7	RT	TG	SA
DPA-63	40.5	289	122	6	19	2	12.4	49.4	M10	62	343
DPA-100	40	367	145.5		11	18.5	–	57.5		103	433

Note: This product conforms with the ISO 1179-1 standard and the ISO 228-1 standard.

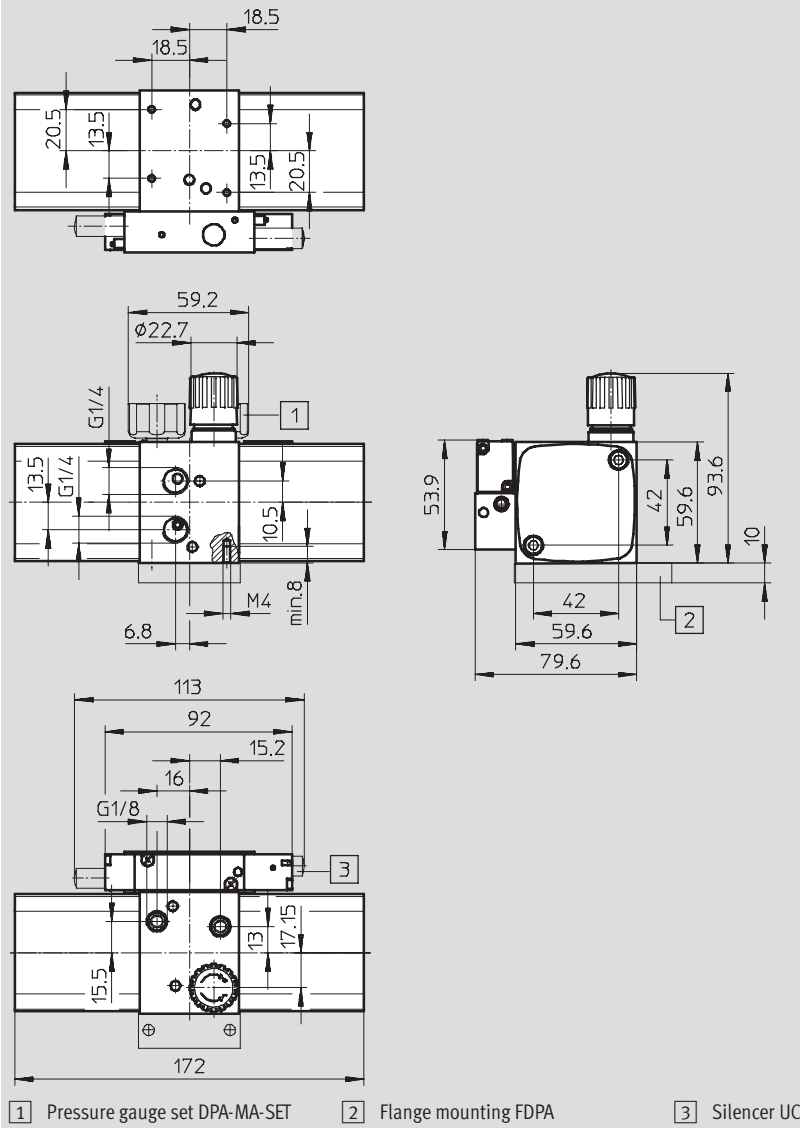
Pressure boosters DPA

Technical data

Dimensions – DPA with pressure regulator

Download CAD data → www.festo.com

DPA-40-10/16



Note: This product conforms with the ISO 1179-1 standard and the ISO 228-1 standard.

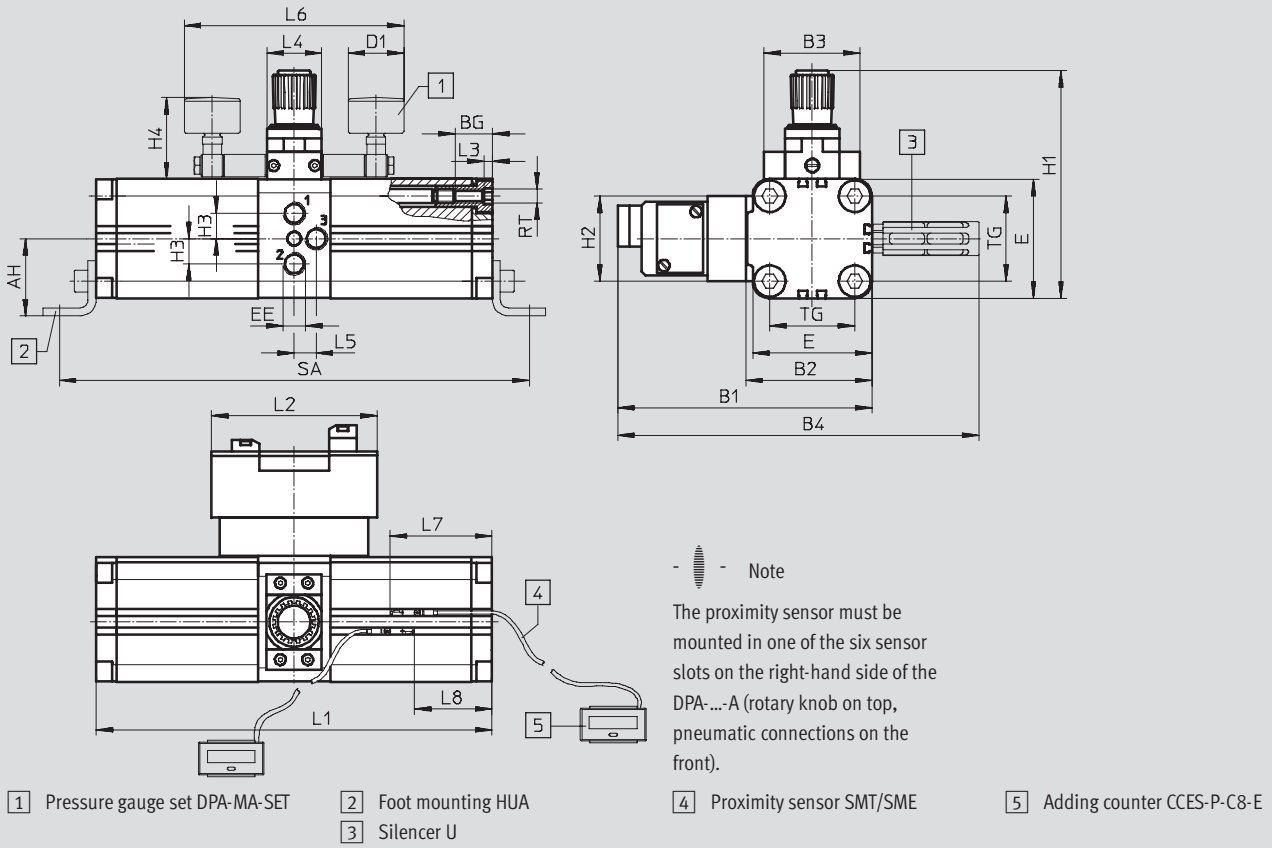
Pressure boosters DPA

Technical data

Dimensions – DPA with pressure regulator

Download CAD data → www.festo.com

DPA-63/100-10/16(-A)










Type	AH	B1	B2	B3	B4	BG	D1 ∅	E	EE	H1	H2	H3
DPA-63	56.5	187	92.5	70	266	25	39	88	G $\frac{3}{8}$	169	62	17.5
DPA-100	81	244	133	102	352	30		128	G $\frac{1}{2}$	244	71	27

Type	H4	L1	L2	L3	L4	L5	L6	L7	L8	RT	TG	SA
DPA-63	65	289	122	6	40	19	159	74.5	56.5	M10	62	343
DPA-100	75	367	145.5		55	11	173	93	75		103	433

• Note: This product conforms with the ISO 1179-1 standard and the ISO 228-1 standard.

Pressure boosters DPA

Technical data

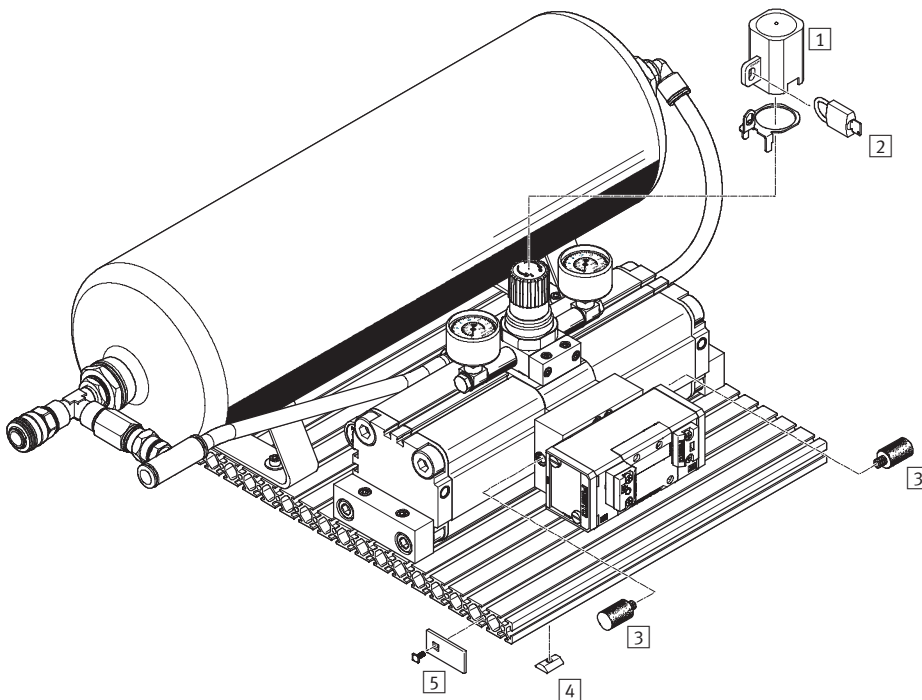
Ordering data						
Piston \varnothing [mm]	Output pressure 4 ¹⁾ ... 10 bar		Output pressure 4 ¹⁾ ... 16 bar		Double supply pressure	
	Part No.	Type	Part No.	Type	Part No.	Type
No sensing option						
40	537273	DPA-40-10	537274	DPA-40-16	549396	DPA-40-D 
63	184518	DPA-63-10	193392	DPA-63-16	549397	DPA-63-D 
100	184519	DPA-100-10	188399	DPA-100-16	549398	DPA-100-D 
With sensing option						
63	549399	DPA-63-10-A 	549400	DPA-63-16-A 	-	
100	549401	DPA-100-10-A 	549402	DPA-100-16-A 	-	

1) For DPA-40: 4,5 bar

Ordering data – Wearing parts kits			
Type	Product series	Part No.	Type
DPA-40-10/16		707308	DPA-40-10/16
DPA-63-10/16	From SN to VN	397400	DPA-63-10/16
	From VD	738338	DPA-63-10/16
DPA-100-10/16	From SN to VN	397401	DPA-100-10/16
	From VD	738339	DPA-100-10/16

Pressure boosters DPA, with air reservoir

Peripherals overview



Accessories			
	Brief description	→ Page/Internet	
1	Regulator lock (DPA-63/100 only) LRVS-D with lock plate	Prevents unintentional, and in conjunction with a padlock LRVS-D, unauthorised adjustment of the rotary knob	25
2	Padlock (DPA-63/100 only) LRVS-D	Accessory for regulator lock LRVS-D	25
3	Silencer (DPA-63/100 only) U-M3	For noise reduction at the valve exhaust port	25
4	Slot nut IPM-VN-05-15/M5-ST	For attaching the slotted profile plate DPA-40: 4 pieces, DPA-63/100: 6 pieces	On request
5	Cover IPM-AN-05-20X40-PA	For covering the cut edge of the slotted profile plate DPA-40: 5 pieces per cut edge, DPA-63/100: 10 pieces per cut edge	On request

Pressure boosters DPA, with air reservoir

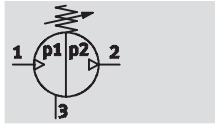
Type codes




DPA		63	10	CRVZS	10
Basic function					
DPA	Pressure booster				
Piston Ø					
40	40 mm				
63	63 mm				
100	100 mm				
Output pressure [bar]					
DPA-40					
10	4.5 ... 10, adjustable with pressure regulator				
16	4.5 ... 16, adjustable with pressure regulator				
DPA-63/100					
10	4 ... 10, adjustable with pressure regulator				
16	4 ... 16, adjustable with pressure regulator				
Air reservoir					
CRVZS	Stainless steel				
Air reservoir volume [l]					
DPA-40					
2	2				
5	5				
DPA-63/100					
10	10 (DPA-63 only)				
20	20				

Pressure boosters DPA, with air reservoir

Technical data

Function
Pressure booster
with pressure regulator



-  - Temperature range
+5 ... +60 °C
 -  - Pressure ratio
1:2
 -  - www.festo.com
- Wearing parts kits
→ 20



Combination of pressure booster, air reservoir in stainless steel design, bypass with non-return valve for constant filling of the air reservoir

with the system pressure, pressure gauge set, silencer, fitting and quick coupling.

- Convenient all-in-one solution
- Ideally matched components

- Combination fully mounted on a slotted profile plate

General technical data										
Pressure booster DPA	40-10	40-16	40-10	40-16	63-10	63-16	63-10	63-16	100-10	100-16
Air reservoir	CRVZS2	CRVZS2	CRVZS5	CRVZS5	CRVZS10	CRVZS10	CRVZS20	CRVZS20	CRVZS20	CRVZS20
Piston Ø [mm]	40				63				100	
Pneumatic connection 1	QS-10				QS-12				QS-16	
Pneumatic connection 2	KD4									
Pneumatic connection 3	Silencer									
Constructional design	Twin-piston pressure booster									
	With air reservoir									
	With pressure gauge									
	With non-return valve									
Type of mounting	Via slot nuts									
Mounting position	Any		Condensate drain underneath							
Air reservoir volume [l]	2		5		10		20			
Product weight [g]	4,400		7,300		16,000		21,500		30,000	

Operating and environmental conditions										
Pressure booster DPA	40-10	40-16	40-10	40-16	63-10	63-16	63-10	63-16	100-10	100-16
Air reservoir	CRVZS2	CRVZS2	CRVZS5	CRVZS5	CRVZS10	CRVZS10	CRVZS20	CRVZS20	CRVZS20	CRVZS20
Supply pressure p1 [bar]	2.5 ... 8				2 ... 8					
Output pressure p2 [bar]	4.5 ... 10	4.5 ... 16	4.5 ... 10	4.5 ... 16	4 ... 10	4 ... 16	4 ... 10	4 ... 16	4 ... 10	4 ... 16
Operating medium	Filtered compressed air, unlubricated, grade of filtration 40 µm									
Ambient temperature [°C]	+5 ... +60									
Storage temperature [°C]	+5 ... +60									
Corrosion resistance class CRC ¹⁾	2									
CE mark (see declaration of conformity)	-		In accordance with EU Pressure Equipment Directive							

1) Corrosion resistance class 2 as per Festo standard 940 070
Components subject to moderate corrosion stress. Externally visible parts with primarily decorative surface requirements which are in direct contact with a normal industrial environment or media such as coolants or lubricating agents.

Materials	
Pressure booster	→ 9
Air reservoir	High-alloy stainless steel
Slotted profile plate	Aluminium

Pressure boosters DPA, with air reservoir

Technical data

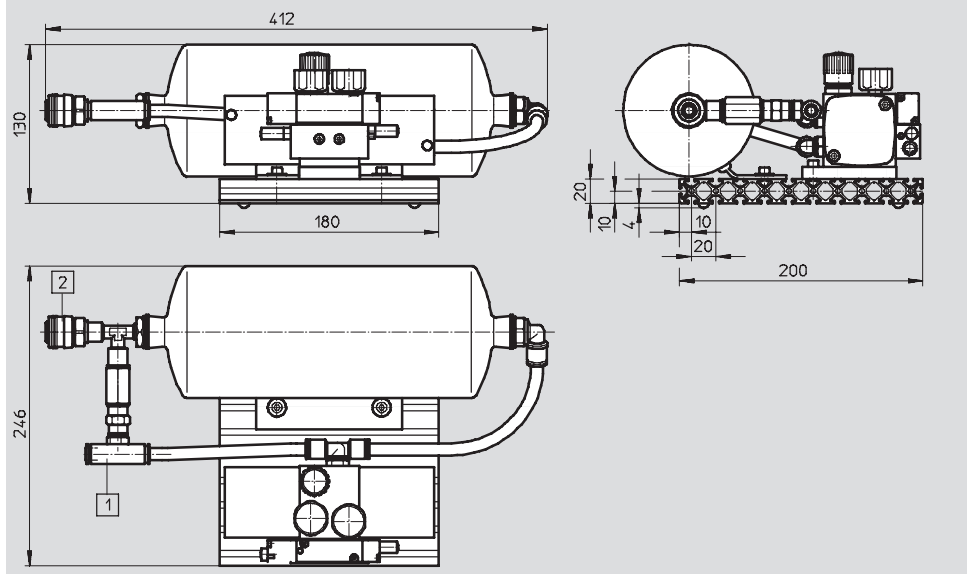
FESTO

Recommended tubing			
Type DPA-	40	63	100
For supply pressure	PAN-10x1,5	PAN-12x1,75	PAN-16x2
For output pressure	PAN-R-8x1,5, PAN-R-10x1,9, PAN-R-12x2,2	PAN-R-16x3	PAN-R-16x3

- Note
Flow rates → 10

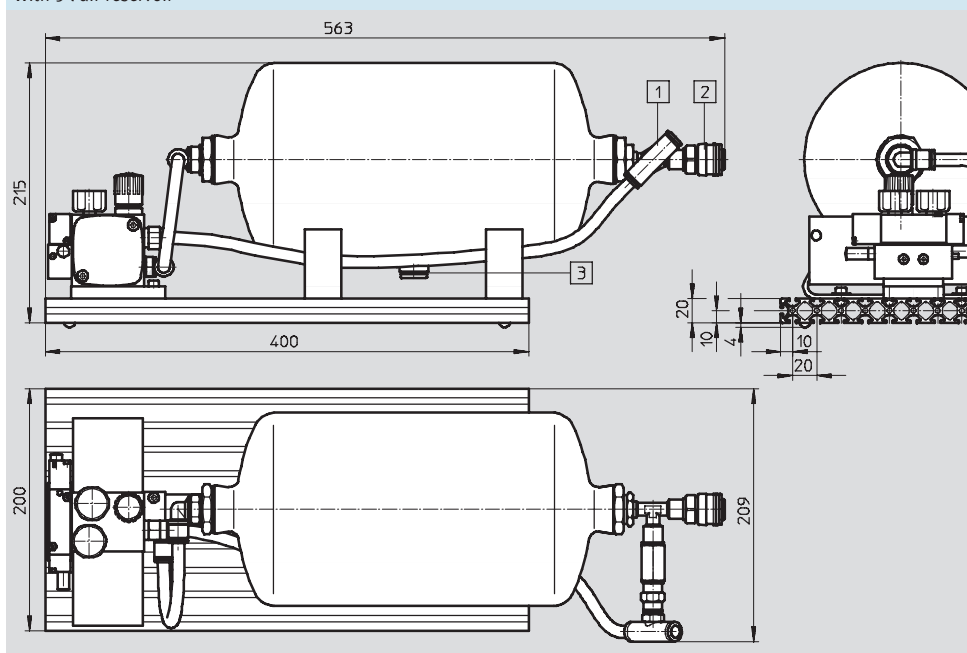
Dimensions – DPA-40 Download CAD data → www.festo.com

With 2 l air reservoir



- 1 Supply pressure p1, connection QS-10
- 2 Output pressure p2, connection to quick coupling socket KD4-¼ with quick coupling plug KS4 → 25

With 5 l air reservoir



- 1 Supply pressure p1, connection QS-10
- 2 Output pressure p2, connection to quick coupling socket KD4-¼ with quick coupling plug KS4 → 25
- 3 Condensate drain, max. tightening torque: 27 Nm

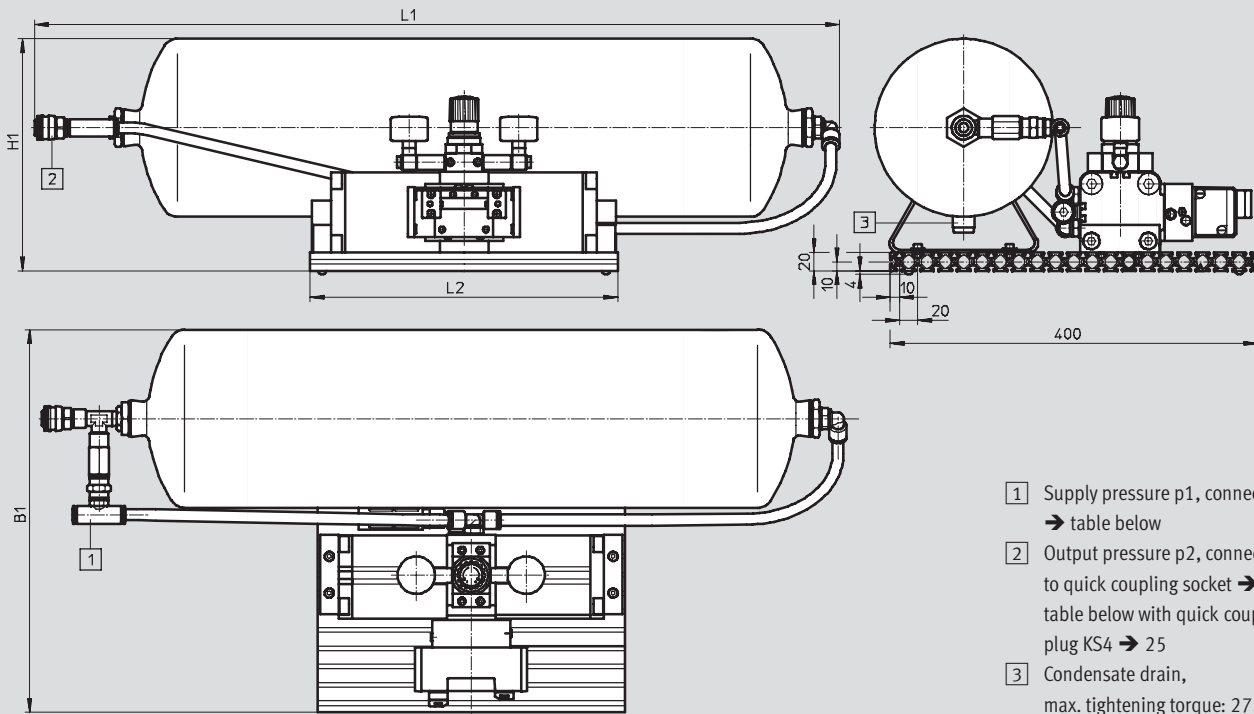
Pressure boosters DPA, with air reservoir

Technical data

Dimensions – DPA-63/100

Download CAD data → www.festo.com

With 10 l or 20 l air reservoir



- 1) Supply pressure p1, connection → table below
- 2) Output pressure p2, connection to quick coupling socket → table below with quick coupling plug KS4 → 25
- 3) Condensate drain, max. tightening torque: 27 Nm

Type	B1	H1	L1	L2	1)	2) Quick coupling socket
DPA-63-10-CRVZS10	400	215	695	335	QS-12	KD4-3/8
DPA-63-16-CRVZS10						
DPA-63-10-CRVZS20	417	253	877	335	QS-12	KD4-3/8
DPA-63-16-CRVZS20						
DPA-100-10-CRVZS20	487	253	880	410	QS-16	KD4-1/2
DPA-100-16-CRVZS20						

Ordering data

Piston Ø [mm]	Volume [l]	Output pressure 4 ¹⁾ ... 10 bar		Output pressure 4 ¹⁾ ... 16 bar	
		Part No.	Type	Part No.	Type
40	2	552928	DPA-40-10-CRVZS2	552929	DPA-40-16-CRVZS2
	5	552930	DPA-40-10-CRVZS5	552931	DPA-40-16-CRVZS5
63	10	552932	DPA-63-10-CRVZS10	552933	DPA-63-16-CRVZS10
	20	552934	DPA-63-10-CRVZS20	552935	DPA-63-16-CRVZS20
100	20	552936	DPA-100-10-CRVZS20	552937	DPA-100-16-CRVZS20

1) For DPA-40: 4.5 bar

Ordering data – Wearing parts kits

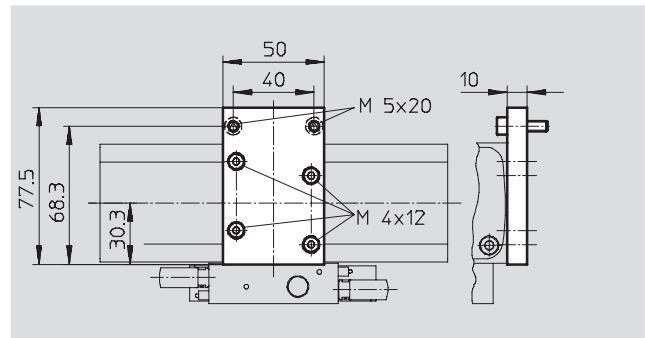
Type	Product series	Part No.	Type
DPA-40-10/16		707308	DPA-40-10/16
DPA-63-10/16	From SN to VN	397400	DPA-63-10/16
	From VD	738338	DPA-63-10/16
DPA-100-10/16	From SN to VN	397401	DPA-100-10/16
	From VD	738339	DPA-100-10/16

Pressure boosters DPA

Accessories

Flange mounting FDPA for DPA-40

Material:
 Mounting: anodised aluminium
 Screws: galvanised steel
 Free of copper and PTFE

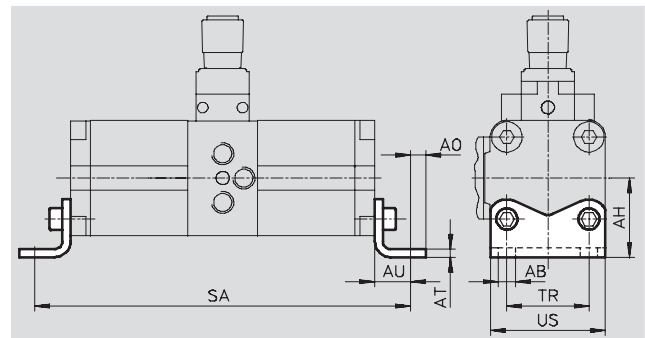


Ordering data											
For type	CRC ¹⁾	Weight [g]	Part No.	Type							
DPA-40	2	120	540783	FDPA-40							

1) Corrosion resistance class 2 as per Festo standard 940 070
 Components subject to moderate corrosion stress. Externally visible parts with primarily decorative surface requirements which are in direct contact with a normal industrial environment or media such as coolants or lubricating agents.

Foot mounting HUA for DPA-63/100

Material:
 Mounting, screws: galvanised steel
 Free of copper and PTFE



Ordering data												
For type	AB Ø	AH	AO	AT	AU	SA	TR	US	CRC ¹⁾	Weight [g]	Part No.	Type
DPA-63	11	56.5	11.75	6	27	343	62	85.5	2	550	157315	HUA-63
DPA-100	13.5	81	11.75	8	33	433	103	126.5	2	1,050	157317	HUA-100

1) Corrosion resistance class 2 as per Festo standard 940 070
 Components subject to moderate corrosion stress. Externally visible parts with primarily decorative surface requirements which are in direct contact with a normal industrial environment or media such as coolants or lubricating agents.

Pressure boosters DPA

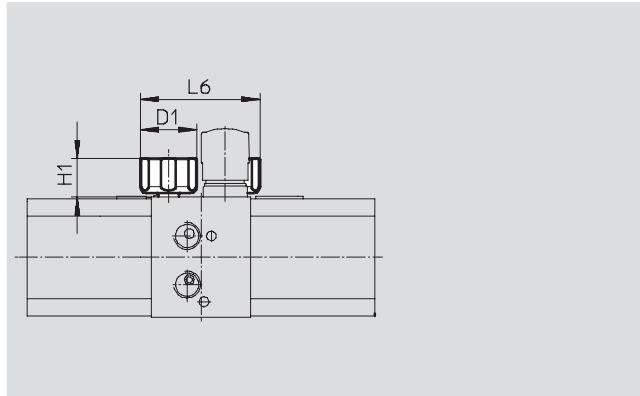
Accessories



Pressure gauge set DPA-MA-SET for DPA-40-10/16/D

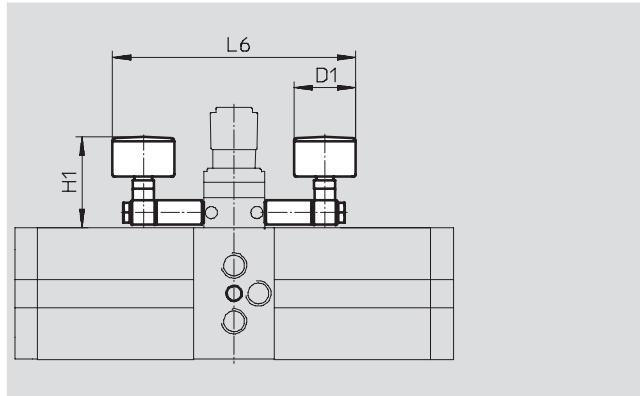
Material:
Housing: polyamide
Dial cover: polystyrene
Connection piece: polyamide

The pressure gauges generally have to be sealed with PTFE sealing tape.
Single pressure gauge MA-27-...-R1/8:
Technical data → Internet: ma-27



for DPA-63/100-10/16

Material:
Housing: acrylic butadiene styrene
Dial cover: polystyrene
Connection piece: brass



Dimensions				
For type	Pneumatic connection	D1 Ø	H1	L6
DPA-40	R1/8	28	19	59.2
DPA-63	G1/8	39	65	159
DPA-100	G1/4	39	75	173

Ordering data							
For type	Nominal tubing size, pressure gauge	Measurement accuracy class	Weight [g]	Operating pressure 10 bar		Operating pressure 16 bar	
				Part No.	Type	Part No.	Type
DPA-40	27	4	16	540781	DPA-40-10-MA-SET	540782	DPA-40-16-MA-SET
DPA-63	40	2.5	250	526096	DPA-63-10-MA-SET	526097	DPA-63-16-MA-SET
DPA-100	40	2.5	305	526098	DPA-100-10-MA-SET	526099	DPA-100-16-MA-SET

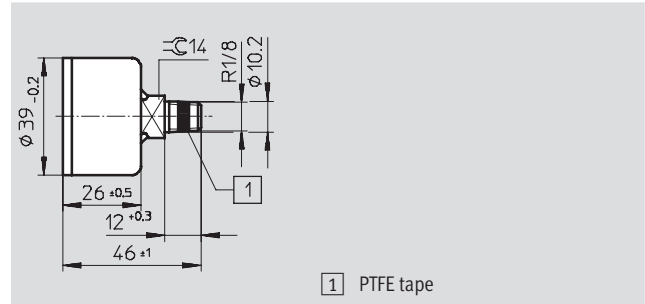
Pressure boosters DPA

Accessories

FESTO

Pressure gauge MA, to DIN EN 837-1 for DPA-63/100-D

Material:
 Housing: acrylic butadiene styrene
 Dial cover: polystyrene
 Connection piece: brass



General technical data	
Nominal tubing size	40
Pneumatic connection	R1/8
Operating medium	Liquid media
	Gaseous media
	Not permitted: Oxygen
	Not permitted: Acetylene
Type of mounting	With male thread
Connection position	Centre, rear side
Measurement accuracy class	2.5
Protection class	IP43
Weight [g]	60

Operating and environmental conditions	
Ambient temperature [°C]	-20 ... +60
Temperature of medium [°C]	-20 ... +60
Storage temperature [°C]	-40 ... +70
Based on standard	DIN EN 837-1

Ordering data					
For type	Pressure control	Indicating range		Part No.	Type
		[bar]	[psi]		
DPA-63/100-D	For supply pressure	0 ... 16	0 ... 232	529046	MA-40-16-1/8-EN-DPA
	For output pressure	0 ... 25	0 ... 360	526167	MA-40-25-1/8-EN

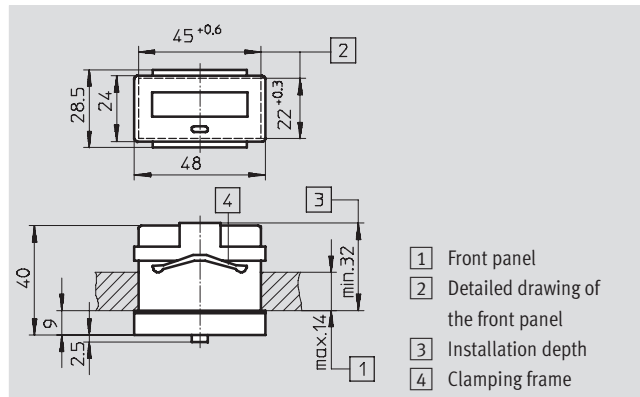
Pressure boosters DPA


Accessories

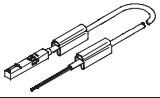
FESTO


Adding counter CCES for DPA-63/100-...-A

Material:
Housing: Polycarbonate
Conforms to RoHS



Ordering data				Technical data → Internet: cces	
For type	Display	Power supply	Weight [g]	Part No.	Type
DPA-63/100-...-A	8-digit	Lithium battery (nominal value retention 7 years)	30	549403	CCES-P-C8-E 

Ordering data – Proximity sensor SME/SMT for adding counter CCES					Technical data → Internet: sme-8m, smt-8m	
	Switching element function	Switch output	Electrical connection	Cable length [m]	Part No.	Type
	N/O contact	Contacting, bipolar	Cable, 3-wire	2.5	543862	SME-8M-DS-24V-K-2,5-OE
		PNP	Cable, 3-wire	2.5	543867	SMT-8M-PS-24V-K-2,5-OE

 Note

Please note the following points:

- The abovementioned proximity sensor SME can be connected to the adding counter as a 2-wire switch without additional power supply.
- If using other proximity sensors, an additional power supply is needed

and the clock pulse input of the adding counter must be reprogrammed from NPN to PNP.

- Screened cables must be used for cables longer than 3 m.
- The maximum permissible cable length is 30 m.

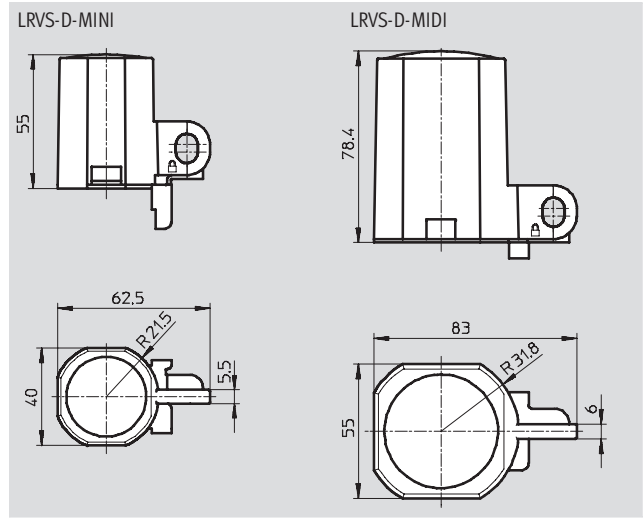
Pressure boosters DPA

Accessories


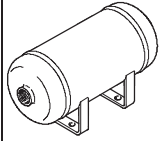








Regulator lock LRVS for DPA-63/100

Material:
 Cap: polyacetal
 Lock plate: steel
 Knurled nut: aluminium
 Free of copper and PTFE



Ordering data			
For type	Weight [g]	Part No.	Type
DPA-63	40	193781	LRVS-D-MINI
DPA-100	60	193782	LRVS-D-MIDI

Ordering data				Ordering data				
	Pneumatic connection	Part No.	Type		Volume [l]	Part No.	Type	PU ¹⁾ [m]
Silencer UC Technical data → Internet: u 				Compressed air reservoir Technical data → Internet: vzs 				
	M7	161418	UC-M7	Stainless steel				
Silencer U...-B Technical data → Internet: u 				0.1	160233	CRVZS-0.1		
	G3/8	6843	U-3/8-B	0.4	160234	CRVZS-0.4		
	G1/2	6844	U-1/2-B	0.75	160235	CRVZS-0.75		
Silencer U-M3 Technical data → Internet: u 				2	160236	CRVZS-2		
	M3	163978	U-M3	5	192159	CRVZS-5		
Quick coupling plug KS4 Technical data → Internet: ks4 				10	160237	CRVZS-10		
	Male thread			20	534845	CRVZS-20		
	G1/4	2154	KS4-1/4-A	Standard				
	G3/8	2155	KS4-3/8-A	5	192160	VZS-5-B		
	G1/2	531676	KS4-1/2-A	10	151923	VZS-10-B		
	Female thread			20	192161	VZS-20-B		
	G1/4	531678	KS4-1/4-I	Plastic tubing P/PAN for supply pressure Technical data → Internet: pan 				
	G3/8	531679	KS4-3/8-I	-	553909	PAN-10x1,5-BL	50	
	G1/2	531680	KS4-1/2-I		553910	PAN-12x1,75-BL	50	
Padlock LRVS-D 					553911	PAN-16x2-BL	50	
	-	193786	LRVS-D		2235	P-19-SW	40	
				Plastic tubing PAN-R for output pressure Technical data → Internet: pan-r 				
					541676	PAN-R-8x1,5-SI	50	
					541677	PAN-R-10x1,9-SI	50	
					541678	PAN-R-12x2,2-SI	50	
					541679	PAN-R-16x3-SI	50	

1) Packaging unit