

Standard cylinders DNCl, with measuring transducer DADE



New
Measuring transducer DADE

Standard cylinders DNCI, with measuring transducer DADE

Key features



Components for positioning and measuring using the standard cylinder DNCI



Measuring with measuring transducer DADE

Measuring transducer DADE-...
 → 16

PLC controller e.g. FEC-...
 → Internet: fec

Display and control unit e.g. FED-...
 → Internet: fed

Positioning with end-position controller SPC11 or axis controller SPC200

Proportional directional control valve MPYE-...
 → Internet: mpye

Soft Stop
 → Internet: soft stop

Closed loop end-position controller SPC11-INC

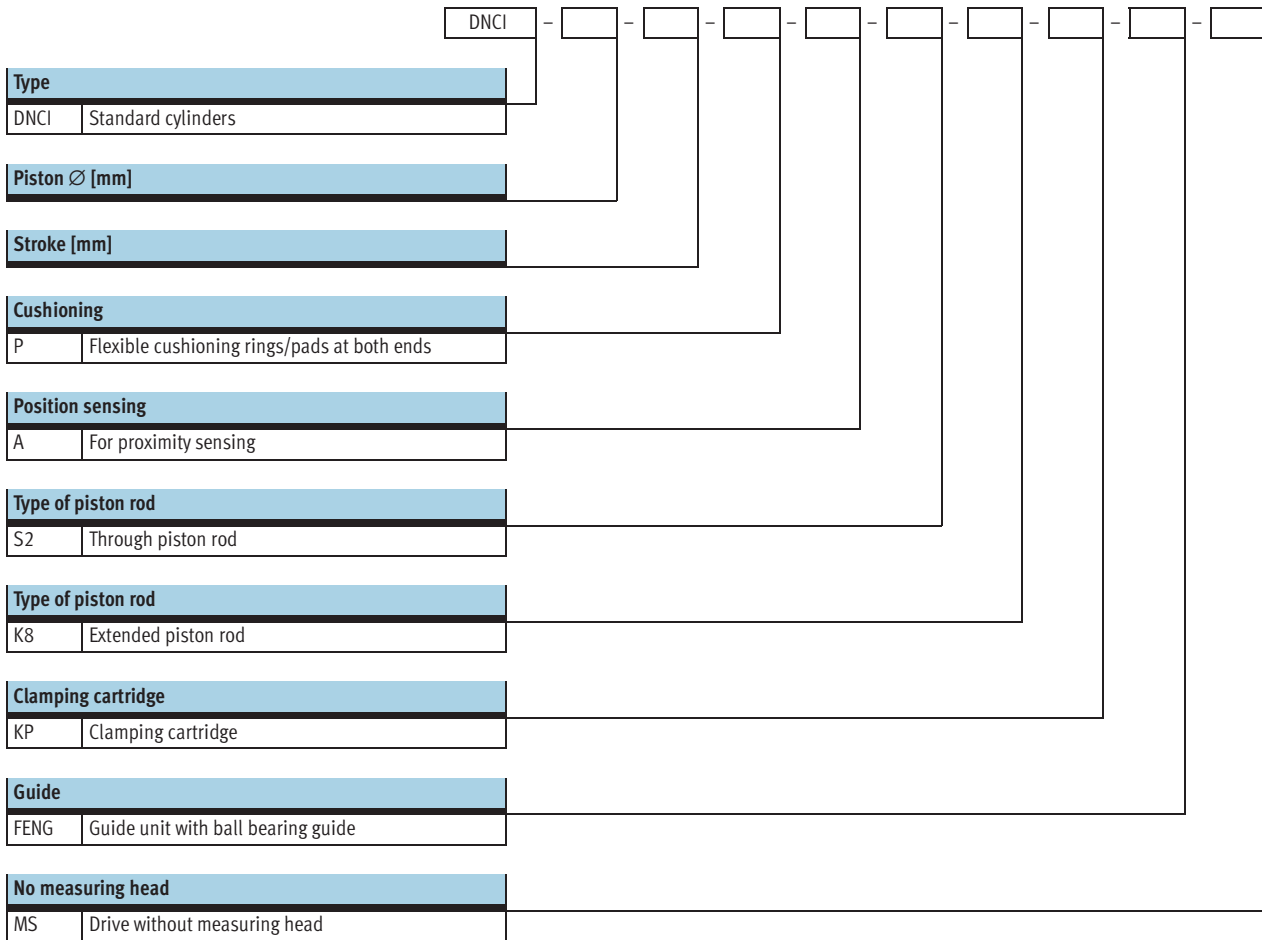
Positioning technology
 → Internet: spc

Axis interface SPC-AIF-INC

Axis controller SPC200

Standard cylinders DNCI, with measuring transducer DADE

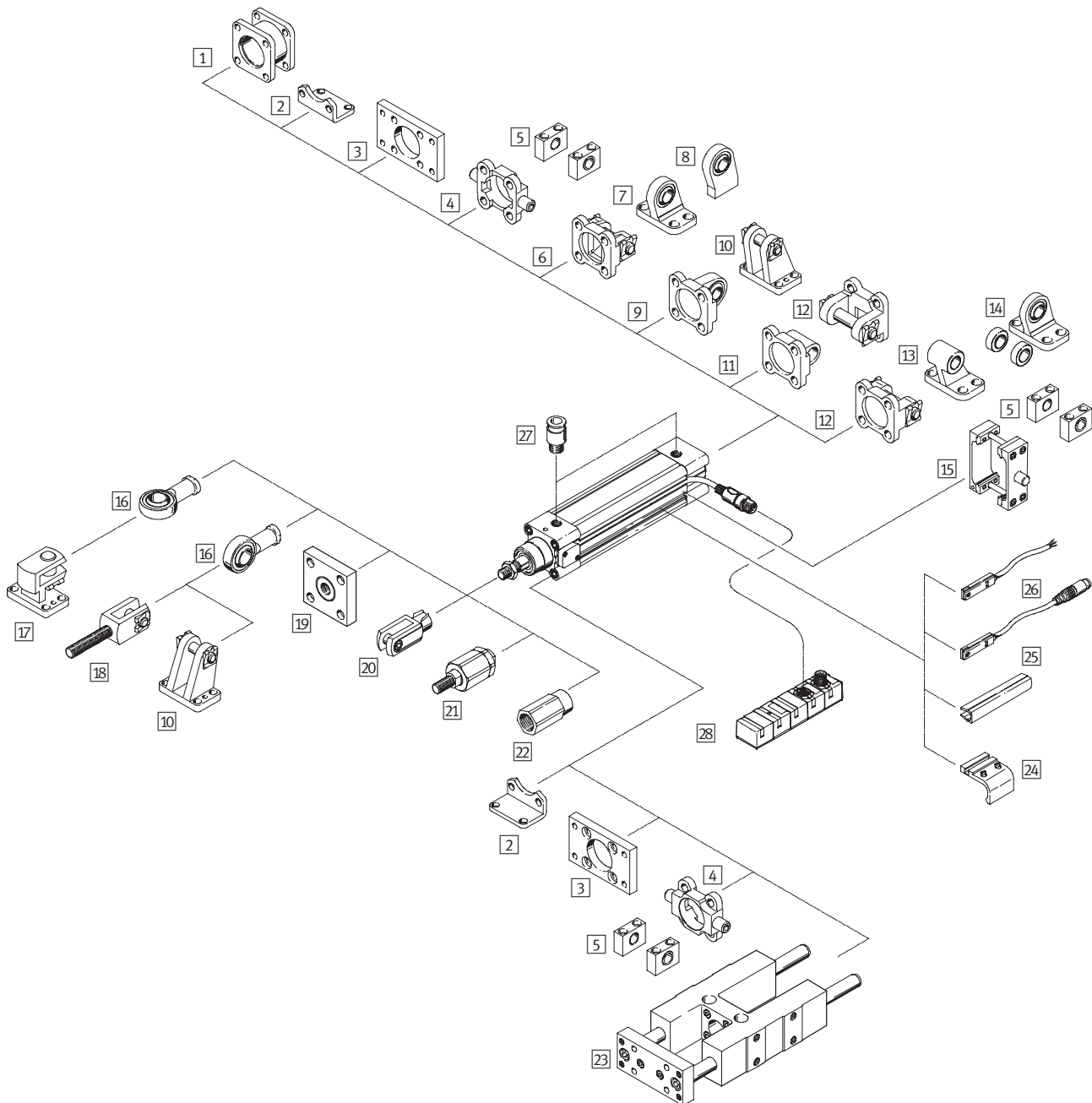
Type code



Standard cylinders DNCI, with measuring transducer DADE

Peripherals overview

FESTO



Accessories		
Type	Brief description	→ Page/Internet
1 Adapter kit ¹⁾ DPNC	For connecting two cylinders with identical piston \varnothing to form a multi-position cylinder	dpnc
2 Foot mounting HNC	For mounting the drive on the bearing and end cap	hnc
3 Flange mounting FNC	For mounting the drive on the bearing and end cap	fnc
4 Trunnion mounting ZNCf/CRZNG	For swivelling movements of the drive on the bearing or end caps	pivot pin
5 Trunnion support LNZG/CRLNZG	-	lnzg

Standard cylinders DNCl, with measuring transducer DADE

Peripherals overview

Accessories		
Type	Brief description	→ Page/Internet
6 Swivel flange ¹⁾ SNC	For swivelling movements of the drive on the end cap	snc
7 Clevis foot mounting ¹⁾ LSNG	With spherical bearing	lsng
8 Clevis foot mounting ¹⁾ LSNSG	Weld-on, with spherical bearing	lsnsg
9 Swivel flange ¹⁾ SNCS	For swivelling movements of the drive on the end cap, with spherical bearing	snscs
10 Clevis foot mounting ¹⁾ LBG	–	lbg
11 Swivel flange ¹⁾ SNCL	For swivelling movements of the drive on the end cap	sncl
12 Swivel flange ¹⁾ SNCB	For swivelling movements of the drive on the end cap	sncb
13 Clevis foot mounting ¹⁾ LNG/CRLNG	–	lng
14 Clevis foot mounting ¹⁾ LSN	With spherical bearing	lsn
15 Trunnion mounting kit ZNCM	For swivelling movements of the drive	zmcm
16 Rod eye SGS/CRSGS	With spherical bearing	sgs
17 Right-angle clevis foot LQG	–	lqg
18 Rod clevis SGA	With male thread	sga
19 Coupling piece KSG	For compensating radial deviations	ksg
Coupling piece KSZ	For cylinders with a non-rotating piston rod to compensate for radial deviations	ksz
20 Rod clevis SG/CRSG	Permits a swivelling movement of the cylinder in one plane	sg
21 Self-aligning rod coupler FK	For compensating radial and angular deviations	fk
22 Adapter AD	For a vacuum suction cup	ad
23 Guide unit FENG	For protecting standard cylinders from torsion at high torque loads	feng
24 Mounting kit SMB-8-FENG	For mounting proximity sensors SME/SMT-8 in combination with guide unit FENG	smb-8
25 Slot cover ABP-5-S	To protect the sensor cable and keep dirt out of the sensor slots	abp
26 Proximity sensor SME/SMT-8	Can be integrated in the cylinder profile barrel	proximity sensor
27 Push-in fitting QS	For connecting compressed air tubing with standard external diameters	quick star
28 Measuring transducer DADE-MVC	Converts sensor signals of the standard cylinder DNCl into one voltage signal of 0 ... 10 V and/or current signal of 0 ... 20 mA	16

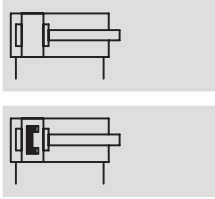
1) Not with variants S2

2) Guide unit FENG-KF must be attached to the piston rod such that backlash is eliminated

Standard cylinders DNCI, with measuring transducer DADE

Technical data

Function



- \varnothing - Diameter
32 ... 63 mm
- | - Stroke length
10 ... 2,000 mm

General technical data				
Piston \varnothing	32	40	50	63
Constructional design	Piston			
	Piston rod			
	Profile barrel			
Mode of operation	Double-acting			
Cushioning	Flexible cushioning rings/pads at both ends			
Position sensing	Integrated displacement encoder			
	For proximity sensing ¹⁾			
Measuring principle (displacement encoder)	Digital			
Type of mounting	Foot mounting			
Stroke [mm]	10 ... 2,000			
Torsion protection/Guide ³⁾	Guide rod with yoke, with ball bearing guide			
Stroke [mm]	100 ... 500			
Piston rod extension [mm]	1 ... 500			
Pneumatic connection	G1/8	G1/4	G1/4	G3/8
Electrical connection	Cable with 8-pin plug, round type M12			
Cable length [m]	1.5			

- 1) Not included in the scope of delivery, can be ordered as an option
- 3) Guide unit FENG-KF must be ordered as an option and will be supplied attached, the max. stroke is reduced

Forces [N] and impact energy [Nm]				
Piston \varnothing	32	40	50	63
Theoretical force at 6 bar advancing	S2	483	754	1,178
		415	633	990
Theoretical force at 6 bar retracting	S2	415	633	990
		415	633	990
Impact energy at end positions	0.1	0.2	0.2	0.5

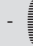
Permissible impact velocity:

$$v_{perm.} = \sqrt{\frac{2 \times E_{perm.}}{m_{dead} + m_{load}}}$$

- $v_{perm.}$ Permissible impact velocity
- $E_{perm.}$ Max. impact energy
- m_{dead} Moving load (drive)
- m_{load} Moving work load

Maximum permissible load:

$$m_{load} = \frac{2 \times E_{perm.}}{v^2} - m_{dead}$$

 Note

These specifications represent the maximum values which can be reached. Note the maximum permitted impact energy.

Standard cylinders DNCI, with measuring transducer DADE

Technical data

Operating and environmental conditions	
Operating pressure [bar]	0.6 ... 12
Operating medium ²⁾	Compressed air, filtered and unlubricated, filter unit 5 µm
Ambient temperature ³⁾ [°C]	-20 ... +80
Vibration resistance	To DIN/IEC 68 Parts 2 – 6, severity level 2
Continuous shock resistance	To DIN/IEC 68 Parts 2 – 82, severity level 2
CE symbol (declaration of conformance)	In accordance with EU EMC Directive
Protection class (displacement encoder)	IP65 to IEC 60 529
Corrosion resistance class CRC ⁴⁾	1

2) The proportional directional control valve MPYE used requires the characteristic values

3) Note operating range of proximity sensors

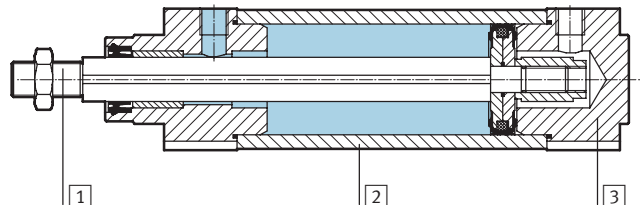
4) Corrosion resistance class 1 according to Festo standard 940 070

Components requiring low corrosion resistance. Transport and storage protection. Parts that do not have primarily decorative surface requirements, e.g. in internal areas that are not visible or behind covers.

Weights [g] with displacement encoder				
Piston Ø	32	40	50	63
Basic drive DNCI-...				
Product weight with 0 mm stroke	521	853	1,319	1,914
Additional weight per 10 mm stroke	30	44	62	71
Moving load with 0 mm stroke	95	175	316	383
Additional weight per 10 mm stroke	8	14	23	23
Drive with through piston rod DNCI-...-S2				
Product weight with 0 mm stroke	586	981	1,553	2,165
Additional weight per 10 mm stroke	39	60	87	96
Moving load with 0 mm stroke	155	164	297	364
Additional weight per 10 mm stroke	17	30	48	48
Additional weight with extended piston rod K8				
Additional weight per 10 mm stroke	8	14	23	23
Additional weight with clamping cartridge KP				
Product weight	234	394	700	1,147
Additional weight with guide unit FENG-...				
Product weight with 0 mm stroke	1,530	2,370	4,030	5,410
Additional weight per 10 mm stroke	18	32	50	62

Materials

Sectional view	
Standard cylinders	
1) Piston rod	High-alloy steel
2) Cylinder barrel	Anodised aluminium
3) Bearing/end caps	Die-cast aluminium
- Dynamic seals	Polyurethane TPE-U
- Static seals	Nitrile rubber
- Lubricant	Klüberplex BE31-102
Displacement encoder	
- Sensor housing	Polyacetate
- Cable sheath	Polyurethane
- Plug housing	Polybuteneterephthalate
- Wall mounting plate	Polyacetate
- Screws for mounting plate	Steel



Standard cylinders DNCl, with measuring transducer DADE

FESTO

Technical data

Electrical data, displacement encoder		
Linearity error ¹⁾	[mm]	$\pm(0.07 \pm 0.02 \times L)$
Max. speed of travel	[m/s]	1.5
Ambient temperature	[°C]	-20 ... +80
Max. temperature coefficient	[ppm/°K]	30
Protection class		IP65
CE symbol (declaration of conformance)		In accordance with EU EMC Directive
Max. permitted magnetic disruption field at 100 mm interval from the sensor ²⁾	[kA/m]	10
Electrical connection		Cable with 8-pin plug, round type M12
Cable length	[m]	1.5

1) Maximum deviation of the output signal from "best fit" line (characteristic curve with nominal gradient).

L = Length of measuring system in meters

2) See also mounting conditions

Standard cylinders DNCI, with measuring transducer DADE

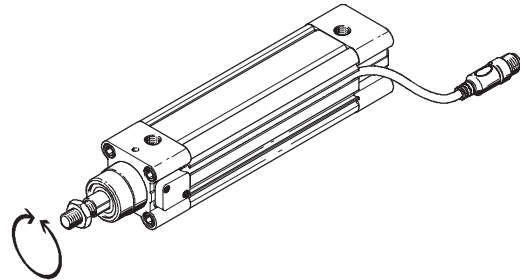
Technical data

Torques and lateral forces

The piston rod must not absorb any torque. We therefore recommend that an external guide FENG-KF be used with the drive DNCI. The guide unit is delivered installed.

The permissible static and dynamic characteristic load values with and without attached guide as well as with regard to the technical data of the variants (S2, S8, S9)

→ Internet: dnc



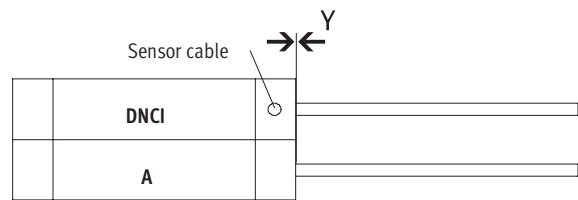
Mounting conditions

When mounting a drive A with magnet (for position sensing), in addition to a standard cylinder DNCI, the following conditions must be observed:

- X Minimum distance between the drives
- Y Offset between the drives on the bearing cap

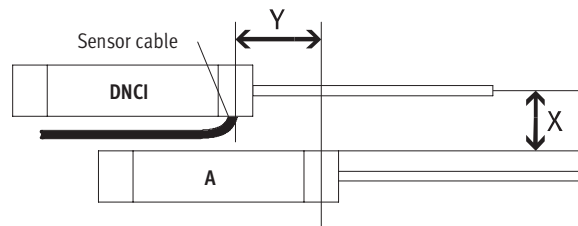
Parallel assembly

If the offset $Y = 0$ mm, the drives can be assembled directly next to one another.



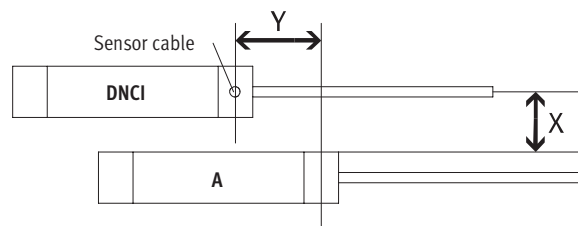
Offset assembly, cable outlet between the drives

If the offset $Y > 0$ mm and the cable outlet is between the drives, the distance from $X > 70$ mm must be observed.



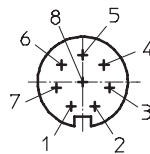
Offset assembly, cable outlet upwards or downwards

If the offset $Y > 0$ mm and the cable outlet is up or down, the distance from $X > 60$ mm must be observed.



Pin assignment of plug, view of plug

Pin	Function	Colour
1	5 V	black
2	GND	brown
3	sin+	red
4	sin-	orange
5	cos-	green
6	cos+	yellow
7	Screening	Screening
8	-	-



Standard cylinders DNCl, with measuring transducer DADE

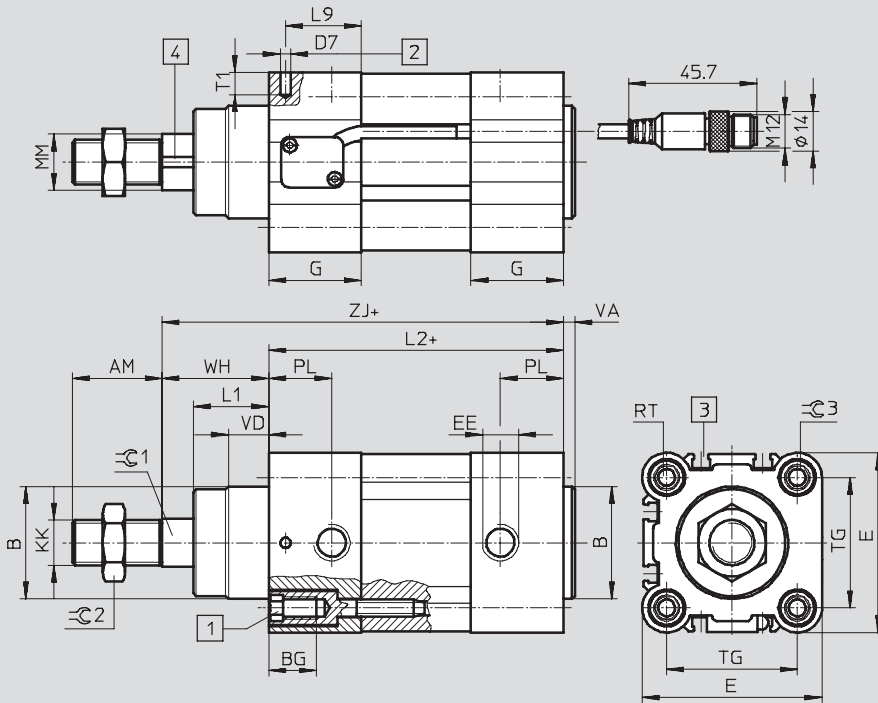
Technical data

FESTO

Dimensions

Download CAD data → www.festo.com

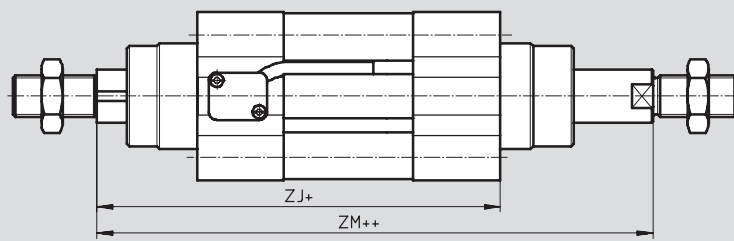
Basic version



- 1 Socket head screw with female thread for mounting attachments
- 2 Hole for securing the earthing self-tapping M4 screw according to DIN 7500
- 3 Sensor slot for proximity sensor SME/SMT-8
- 4 Magnetic measuring band

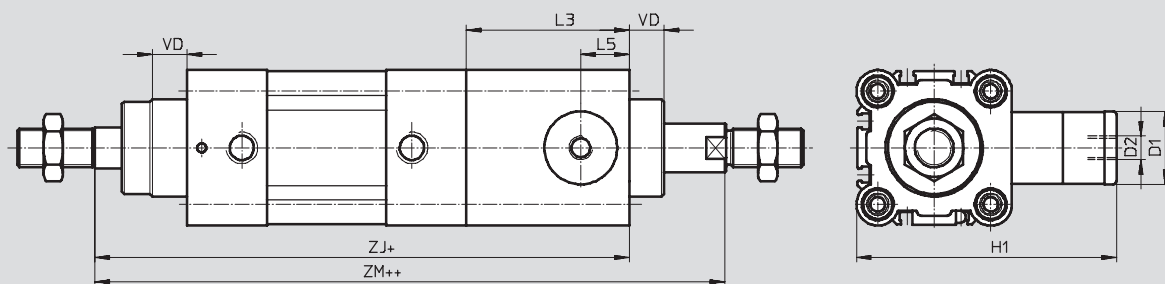
+ = plus stroke length
++ = plus 2x stroke length

S2 – Through piston rod

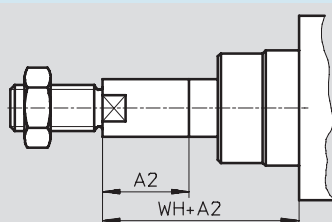


+ = plus stroke length
++ = plus 2x stroke length

S2 / KP – Through piston rod with clamping cartridge



K8 – Extended piston rod



Standard cylinders DNCI, with measuring transducer DADE

Technical data

∅ [mm]	AM	A2 max.	B ∅ d11	BG	D1 ∅ f9	D2	D7 ∅	E	EE	G	H1
32	22	500	30	16	20	M5	3.7	45	G ¹ / ₈	28	67
40	24	500	35	16	24	G ¹ / ₈	3.7	54	G ¹ / ₄	33	88
50	32	500	40	17	30	G ¹ / ₈	3.7	64	G ¹ / ₄	33	107
63	32	500	45	17	38	G ¹ / ₈	3.7	75	G ³ / ₈	40.5	123

∅ [mm]	KK	L1	L2	L3	L5	L9	MM ∅ f8	PL	RT	T1	TG
32	M10x1.25	18	94	45	14	22.5	12	15.6	M6	8	32.5
40	M12x1.25	21.3	105	53	16	27	16	14	M6	8	38
50	M16x1.5	26.8	106	67	20	27	20	14	M8	8	46.5
63	M16x1.5	27	121	76	24	33	20	17	M8	8	56.5

∅ [mm]	PI	VD	WH	ZJ		ZM		≈C1	≈C2	≈C3
					KP		KP			
32	4	10	26	120	165	148	193	10	16	6
40	4	10.8	30	135	188	167	220	13	18	6
50	4	14.3	37	143	210	183	250	17	24	8
63	4	14.5	37	158	234	199	275	17	24	8

Standard cylinders DNCl, with measuring transducer DADE

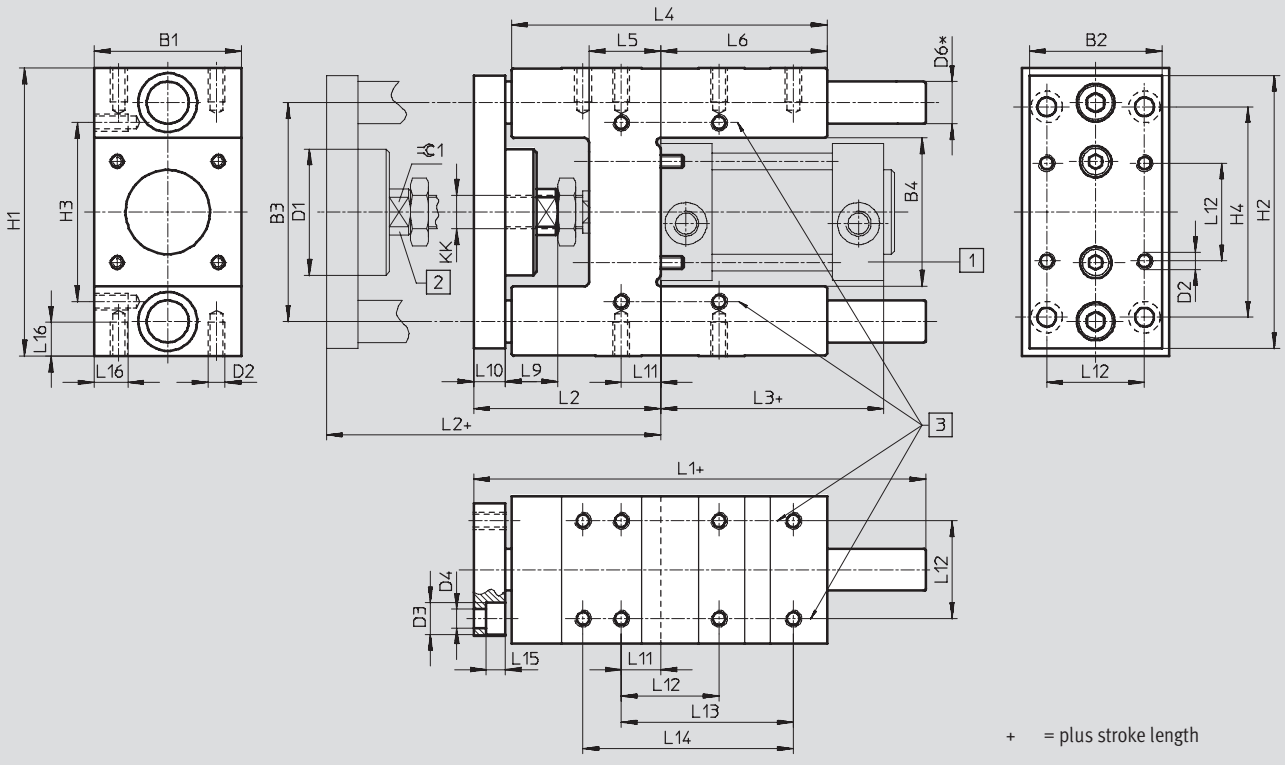
Technical data



Dimensions

Download CAD data → www.festo.com

Guide unit FENG-KF



Standard cylinders DNCl, with measuring transducer DADE

Technical data

For Ø	B1	B2	B3	B4	D1	D2	D3	D4	D6	H1
[mm]	-0.3		±0.2	±0.3	Ø		Ø	Ø	Ø h6	
32	50	45	74	50.5	44	M6	11	6.6	12	97 _{-0.4}
40	58	54	87	58.5	44	M6	11	6.6	16	115 _{-0.4}
50	70	63	104	70.5	60	M8	15	9	20	137 _{-0.5}
63	85	80	119	85.5	60	M8	15	9	20	152 _{-0.5}

For Ø	H2	H3	H4	KK	L1	L2	L3	L4	L5	L6
[mm]		±0.2	±0.2							
32	90	61	78	M10x1.25	155	67 ₊₅	94	125	24	76
40	110	69	84	M12x1.25	170	75 ₊₅	105	140	28	81
50	130	85	100	M16x1	188	89 ₊₁₀	106	150	34	79
63	145	100	105	M16x1	220	89 ₊₁₀	121	182	34	111

For Ø	L9	L10	L11	L12	L13	L14	L15	L16	≙C1
[mm]				±0.2	±0.2	±0.2			
32	20	12	4.3	32.5	70.3	78	6.5	12	15
40	22	12	11	38	84	–	6.5	14	15
50	25	15	18.8	46.5	81.8	100	9	16	19
63	25	15	15.3	56.5	105	–	9	16	19

Standard cylinders DNCI, with measuring transducer DADE

Ordering data – Modular products

M Mandatory data →

Module No.	Function	Piston Ø	Stroke	Cushioning	Position sensing
535 411	DNCI	32	10 ... 2,000	P	A
535 412		40			
535 413		50			
535 414		63			
Order example					
535 411	DNCI	- 32	- 100	- P	- A

Ordering table

Piston Ø	32	40	50	63	Condi- tions	Code	Enter code
M Module No.	535 411	535 412	535 413	535 414			
Function	Standard cylinder with integrated displacement encoder, non-rotating piston rod					DNCI	DNCI
Piston Ø [mm]	32	40	50	63		-...	
Stroke [mm]	10 ... 2,000					-...	
Cushioning	Flexible cushioning rings/pads at both ends					-P	-P
Position sensing	For proximity sensing					-A	-A

Transfer order code

-
 -
 -
 -
 -

Standard cylinders DNCl, with measuring transducer DADE

Ordering data – Modular products

0 Options				
Type of piston rod	Piston rod extended at front	Clamping unit	Guide	Measuring head
S2	...K8	KP	FENG	MS
-	-	-	-	-

Ordering table							
Piston Ø	32	40	50	63	Condi- tions	Code	Enter code
0 Type of piston rod	Through piston rod					-S2	
Piston rod extended [mm]	1 ... 500				2	-...K8	
Clamping unit	Clamping cartridge				3	-KP	
Guide	Guide unit with ball bearing guide on the sensor head side				4	-FENG	
Measuring head	No measuring head					-MS	

- 2 **K8** In combination with piston rod type S2, the piston rod is only extended at the front (the side facing the measuring head)
- 3 **K9** Only with piston rod type S2
- 4 **FENG** Maximum stroke length 500 mm

Transfer order code

- [] - [] - [] - [] - [] - []

Standard cylinders DNCI, with measuring transducer DADE

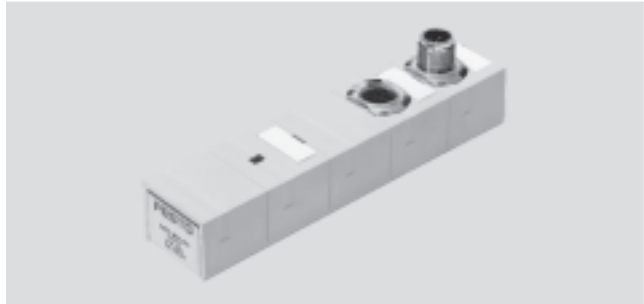
Technical data

Measuring transducer

DADE-MVC-010

DADE-MVC-420

The transducer converts sensor signals of the DNCI standard cylinder into a voltage signal of 0 ... 10 V or a current signal of 0 ... 20 mA. These signals can be evaluated by a PLC with an appropriate signal input.



General technical data		
Type of mounting	Via through holes	
Mounting position	Any	
Repetition accuracy in relation to effective stroke	≤ 400	±0.1 mm
	≤ 750	±0.2 mm
	≤ 1,200	±0.3 mm
	≤ 1,600	±0.4 mm
	≤ 2,000	±0.5 mm
Protection against short circuit	Yes	
Protection against polarity reversal	Yes	
Diagnostic function	Display via LED	

General electrical data		
Analogue output	[V]	0 ... 10 (as per EN 61131-2)
	[mA]	0 ... 20 (as per EN 61131-2)
Nominal operating voltage	[V DC]	24 ±25%
Residual ripple	[%]	4 (at 50 Hz)
Current consumption at nominal operating voltage	[mA]	20 ... 30
Switching logic at outputs	PNP	
Switching logic at inputs	PNP	
Debounce time at inputs	[ms]	3
Linearity error FS	0,2%	

Operating and environmental conditions		
Ambient temperature	[°C]	0 ... 55
Protection class	IP65	
Relative air humidity	95% non-condensing	
CE symbol (see conformity declaration)	As per EU EMC directive	
Corrosion resistance class CRC ¹⁾	1	
Product weight	[g]	128
Note on material for housing	Polybutylene terephthalate	

1) Corrosion resistance class 1 as per Festo standard 940 070
 Components requiring low corrosion resistance Transport and storage protection. Parts that do not have primarily decorative surface requirements, e.g. in internal areas that are not visible or behind covers

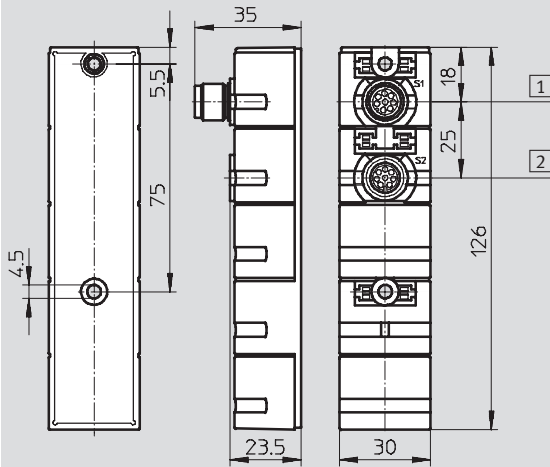
Standard cylinders DNCI, with measuring transducer DADE

Technical data

FESTO

Dimensions

Download CAD data → www.festo.com

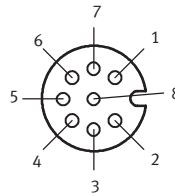
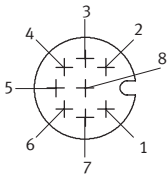


- 1 PLC interface:
8-pin M12, male
- 2 Measuring system interface:
8-pin M12, female

Pin allocation

PLC interface

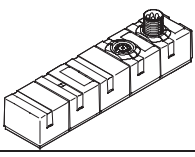

Measuring system interface



Pin	Function	Cable colour
1	24 V	white
2	Measured signal (analogue)	brown
3	Reference output	green
4	0 V measured signal	yellow
5	Reference input	grey
6	Calibration input	pink
7	Ready output	blue
8	0 V power supply and inputs/outputs	red

Pin	Function
1	Ub
2	0 V
3	Signal sine +
4	Signal sine -
5	Signal cosine -
6	Signal cosine +
7	Screening / earth
8	-

Ordering data

		Description	Part No.	Type
Measuring transducer				
	With voltage signal	0 ... 10 V	542 117	DADE-MVC-010
	With current signal	0 ... 20 mA	542 118	DADE-MVC-420
Accessories				
	Cable with socket	Connecting cable to PLC (length 2 m)	525 616	SIM-M12-8GD-2-PU
		Connecting cable to PLC (length 5 m)	525 618	SIM-M12-8GD-5-PU

Technical data → Internet: sim