

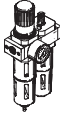
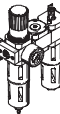
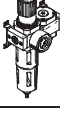
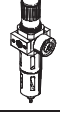
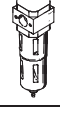



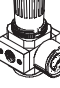
Pressure regulators LR/LRS/LRB/LRBS, D series



Pressure regulators LR/LRS/LRB/LRBS, D series, metal design



Product range overview D series service units, metal design

Type	Size	Pneumatic connection										Pressure regulation range [bar]			Grade of filtration [µm]			
		M5	M7	G1/8	G1/4	G3/8	G1/2	G3/4	G1	QS4	QS6	0.5 ...	0.5 ...	2.5 ...	0.01	1	5	40
Service units																		
FRC/FRCS 	Micro	■	■	■	-	-	-	-	-	■	■	■	-	-	-	-	■	-
	Mini	-	-	■	■	■	-	-	-	-	-	-	■	-	-	-	■	■
	Midi	-	-	-	■	■	■	■	-	-	-	-	■	■	-	-	■	■
	Maxi	-	-	-	-	-	■	■	■	-	-	-	■	-	-	-	■	■
Service unit combinations																		
FRC-K 	Micro	-	-	-	-	-	-	-	-	-	-	-	-	-	-	-	-	
	Mini	-	-	■	■	-	-	-	-	-	-	-	■	■	-	-	-	■
	Midi	-	-	-	■	■	■	-	-	-	-	-	■	■	-	-	-	■
	Maxi	-	-	-	-	-	■	■	-	-	-	-	■	■	-	-	-	■
LFR-K LFRS-K 	Micro	-	-	-	-	-	-	-	-	-	-	-	-	-	-	-	-	
	Mini	-	-	■	■	-	-	-	-	-	-	-	■	■	-	-	-	■
	Midi	-	-	-	■	■	■	-	-	-	-	-	■	■	-	-	-	■
	Maxi	-	-	-	-	-	■	■	-	-	-	-	■	■	-	-	-	■
Individual devices																		
Filter regulators LFR/LFRS 	Micro	■	■	■	-	-	-	-	-	■	■	■	-	-	-	-	■	-
	Mini	-	-	■	■	■	-	-	-	-	-	-	■	■	-	-	-	■
	Midi	-	-	-	■	■	■	■	-	-	-	-	■	■	-	-	-	■
	Maxi	-	-	-	-	-	■	■	■	-	-	-	■	■	-	-	-	■
Filters LF 	Micro	■	■	■	-	-	-	-	-	■	■	-	-	-	-	-	■	-
	Mini	-	-	■	■	■	-	-	-	-	-	-	-	-	-	-	-	■
	Midi	-	-	-	■	■	■	■	-	-	-	-	-	-	-	-	-	■
	Maxi	-	-	-	-	-	■	■	■	-	-	-	-	-	-	-	-	■
Fine and micro filters LFMA/LFMB 	Micro	-	-	-	-	-	-	-	-	-	-	-	-	-	-	-	-	
	Mini	-	-	■	■	■	-	-	-	-	-	-	-	-	■	■	-	-
	Midi	-	-	-	■	■	■	■	-	-	-	-	-	-	■	■	-	-
	Maxi	-	-	-	-	-	■	■	■	-	-	-	-	-	■	■	-	-
Active carbon filters LFX 	Micro	-	-	-	-	-	-	-	-	-	-	-	-	-	-	-	-	
	Mini	-	-	■	■	■	-	-	-	-	-	-	-	-	-	-	-	-
	Midi	-	-	-	■	■	■	■	-	-	-	-	-	-	-	-	-	-
	Maxi	-	-	-	-	-	■	■	■	-	-	-	-	-	-	-	-	-
Filter combinations LFMBA 	Micro	-	-	-	-	-	-	-	-	-	-	-	-	-	-	-	-	
	Mini	-	-	■	■	■	-	-	-	-	-	-	-	-	■	■	-	-
	Midi	-	-	-	■	■	■	■	-	-	-	-	-	-	■	■	-	-
	Maxi	-	-	-	-	-	■	■	■	-	-	-	-	-	■	■	-	-
Pressure regulators LR/LRS 	Micro	■	■	■	-	-	-	-	-	■	■	■	-	-	-	-	-	-
	Mini	-	-	■	■	■	-	-	-	-	-	-	■	■	-	-	-	-
	Midi	-	-	-	■	■	■	■	-	-	-	-	■	■	-	-	-	-
	Maxi	-	-	-	-	-	■	■	■	-	-	-	■	■	-	-	-	-

Pressure regulators LR/LRS/LRB/LRBS, D series, metal design

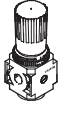
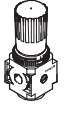
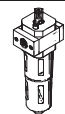
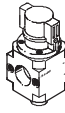

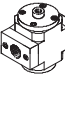
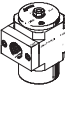
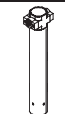
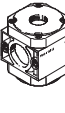

Product range overview D series service units, metal design

Type	Size	Bowl guard		Condensate drain			Pressure indication		Actuator lock		Supply voltage			Options			→ Page/ Internet
		Metal bowl guard	Plastic bowl	Manual rotary	Semi-automatic	Fully automatic	With pressure gauge	Without pressure gauge	Rotary knob with detent	Rotary knob with integrated lock	24 V DC	110 V AC	230 V AC	Directly actuated pressure regulator with integrated return flow function	Pilot actuated pressure regulator with integrated return flow function	Differential pressure indicator	
Service units																	
FRC/FRCS	Micro	-	■	■	■	-	■	■	■	-	-	-	-	-	-	-	frc
	Mini	■	-	■	-	■	■	■	■	■	-	-	-	-	-	-	
	Midi	■	-	■	-	■	■	■	■	■	-	-	-	-	-	-	
	Maxi	■	-	■	-	■	■	■	■	■	-	-	-	■	■	-	
Service unit combinations																	
FRC-K	Micro	-	-	-	-	-	-	-	-	-	-	-	-	-	-	-	frc
	Mini	■	-	■	-	■	■	-	■	-	-	-	-	-	-	-	
	Midi	■	-	■	-	■	■	-	■	-	-	-	-	-	-	-	
	Maxi	■	-	■	-	■	■	-	■	-	-	-	-	■	■	-	
LFR-K LFRS-K	Micro	-	-	-	-	-	-	-	-	-	-	-	-	-	-	-	lfr
	Mini	■	-	■	-	■	■	-	■	■	■	-	-	-	-	-	
	Midi	■	-	■	-	■	■	-	■	■	■	-	-	-	-	-	
	Maxi	■	-	■	-	■	■	-	■	■	■	-	-	-	■	■	
Individual devices																	
Filter regulators LFR/LFRS	Micro	-	■	■	■	-	■	■	■	-	-	-	-	-	-	-	lfr
	Mini	■	-	■	-	■	■	■	■	■	-	-	-	-	-	-	
	Midi	■	-	■	-	■	■	■	■	■	-	-	-	-	-	-	
	Maxi	■	-	■	-	■	■	■	■	■	-	-	-	■	■	-	
Filters LF	Micro	-	■	■	■	-	-	-	-	-	-	-	-	-	-	-	lf
	Mini	■	-	■	-	■	-	-	-	-	-	-	-	-	-	-	
	Midi	■	-	■	-	■	-	-	-	-	-	-	-	-	-	-	
	Maxi	■	-	■	-	■	-	-	-	-	-	-	-	-	-	-	
Fine and micro filters LFMA/LFMB	Micro	-	-	-	-	-	-	-	-	-	-	-	-	-	-	-	lfma, lfmb
	Mini	■	-	■	-	■	-	-	-	-	-	-	-	-	-	■	
	Midi	■	-	■	-	■	-	-	-	-	-	-	-	-	-	■	
	Maxi	■	-	■	-	■	-	-	-	-	-	-	-	-	-	■	
Active carbon filters LFX	Micro	-	-	-	-	-	-	-	-	-	-	-	-	-	-	-	lfx
	Mini	■	-	-	-	-	-	-	-	-	-	-	-	-	-	-	
	Midi	■	-	-	-	-	-	-	-	-	-	-	-	-	-	-	
	Maxi	■	-	-	-	-	-	-	-	-	-	-	-	-	-	-	
Filter combinations LFMBA	Micro	-	-	-	-	-	-	-	-	-	-	-	-	-	-	-	lfmba
	Mini	■	-	■	-	■	-	-	-	-	-	-	-	-	-	■	
	Midi	■	-	■	-	■	-	-	-	-	-	-	-	-	-	■	
	Maxi	■	-	■	-	■	-	-	-	-	-	-	-	-	-	■	
Pressure regulators LR/LRS	Micro	-	-	-	-	-	■	■	■	-	-	-	-	-	-	-	6
	Mini	-	-	-	-	-	■	■	■	■	-	-	-	■	-	-	
	Midi	-	-	-	-	-	■	■	■	■	-	-	-	■	-	-	
	Maxi	-	-	-	-	-	■	■	■	■	-	-	-	■	■	-	

Pressure regulators LR/LRS/LRB/LRBS, D series, metal design

FESTO

Product range overview D series service units, metal design

Type	Size	Pneumatic connection										Pressure regulation range [bar]		
		M5	M7	G1/8	G1/4	G3/8	G1/2	G3/4	G1	QS4	QS6	0.5 ... 7	0.5 ... 12	
Individual devices														
Pressure regulators LRB/LRBS		Micro	-											
		Mini	-	-	-	■	-	-	-	-	-	-	■	■
		Midi	-	-	-	-	■	-	-	-	-	-	■	■
		Maxi	-											
Pressure regulator combinations LRB-K		Micro	-											
		Mini	-	-	-	■	■	-	-	-	-	-	■	■
		Midi	-	-	-	-	■	■	-	-	-	-	■	■
		Maxi	-											
Lubricators LOE		Micro	■	■	■	-	-	-	-	-	■	■	-	-
		Mini	-	-	■	■	■	-	-	-	-	-	-	-
		Midi	-	-	-	■	■	■	■	-	-	-	-	-
		Maxi	-	-	-	-	-	■	■	■	-	-	-	-
On-off valves HE		Micro	-											
		Mini	-	-	■	■	■	-	-	-	-	-	-	-
		Midi	-	-	-	■	■	■	■	-	-	-	-	-
		Maxi	-	-	-	-	-	■	■	■	-	-	-	-
On-off valves, electrical HEE		Micro	-											
		Mini	-	-	■	■	■	-	-	-	-	-	-	-
		Midi	-	-	-	■	■	■	■	-	-	-	-	-
		Maxi	-	-	-	-	-	■	■	■	-	-	-	-
On-off valves, pneumatic HEP		Micro	-											
		Mini	-	-	■	■	■	-	-	-	-	-	-	-
		Midi	-	-	-	■	■	■	■	-	-	-	-	-
		Maxi	-	-	-	-	-	■	■	■	-	-	-	-
Soft-start valves HEL		Micro	-											
		Mini	-	-	■	■	■	-	-	-	-	-	-	-
		Midi	-	-	-	■	■	■	■	-	-	-	-	-
		Maxi	-	-	-	-	-	■	■	■	-	-	-	-
Membrane air dryers LDM1		Micro	-											
		Mini	-											
		Midi	-											
		Maxi	-	-	-	-	-	■	■	■	-	-	-	-
Branching modules FRM		Micro	-											
		Mini	-	-	■	■	■	-	-	-	-	-	-	-
		Midi	-	-	-	■	■	■	■	-	-	-	-	-
		Maxi	-	-	-	-	-	■	■	■	-	-	-	-
Distributor block FRZ		Micro	-											
		Mini	-											
		Midi	-											
		Maxi	-											

Pressure regulators LR/LRS/LRB/LRBS, D series, metal design

Product range overview D series service units, metal design

Type	Size	Bowl guard		Pressure indication		Actuator lock		Supply voltage			Options		→ Page/ Internet
		Metal bowl guard	Plastic bowl	With pressure gauge	Without pressure gauge	Rotary knob with detent	Rotary knob with integrated lock	24 V DC	110 V AC	230 V AC	Non-return function	Pressure switch	
Individual devices													
Pressure regulators LRB/LRBS	Micro	-	-	-	■	■	■	-	-	-	-	-	20
	Mini	-	-	-	■	■	■	-	-	-	-	-	
	Midi	-	-	-	■	■	■	-	-	-	-	-	
	Maxi	-	-	-	■	■	■	-	-	-	-	-	
Pressure regulator combinations LRB-K	Micro	-	-	-	■	■	-	-	-	-	-	-	28
	Mini	-	-	-	■	■	-	-	-	-	-	-	
	Midi	-	-	-	■	■	-	-	-	-	-	-	
	Maxi	-	-	-	■	■	-	-	-	-	-	-	
Lubricators LOE	Micro	-	■	-	■	-	-	-	-	-	-	-	loe
	Mini	■	-	-	■	-	-	-	-	-	-	-	
	Midi	■	-	-	■	-	-	-	-	-	-	-	
	Maxi	■	-	-	■	-	-	-	-	-	-	-	
On-off valves HE	Micro	-	-	-	■	■	-	-	-	-	-	-	he
	Mini	-	-	-	■	■	-	-	-	-	-	-	
	Midi	-	-	-	■	■	-	-	-	-	-	-	
	Maxi	-	-	-	■	■	-	-	-	-	-	-	
On-off valves, electrical HEE	Micro	-	-	-	■	-	-	■	■	■	-	-	hee
	Mini	-	-	-	■	-	-	■	■	■	-	-	
	Midi	-	-	-	■	-	-	■	■	■	-	-	
	Maxi	-	-	-	■	-	-	■	■	■	-	-	
On-off valves, pneumatic HEP	Micro	-	-	-	■	-	-	-	-	-	-	-	hep
	Mini	-	-	-	■	-	-	-	-	-	-	-	
	Midi	-	-	-	■	-	-	-	-	-	-	-	
	Maxi	-	-	-	■	-	-	-	-	-	-	-	
Soft-start valves HEL	Micro	-	-	-	■	-	-	-	-	-	-	-	hel
	Mini	-	-	-	■	-	-	-	-	-	-	-	
	Midi	-	-	-	■	-	-	-	-	-	-	-	
	Maxi	-	-	-	■	-	-	-	-	-	-	-	
Membrane air dryers LDM1	Micro	-	-	-	■	-	-	-	-	-	-	-	ldm1
	Mini	-	-	-	■	-	-	-	-	-	-	-	
	Midi	-	-	-	■	-	-	-	-	-	-	-	
	Maxi	■	-	-	■	-	-	-	-	-	-	-	
Branching modules FRM	Micro	-	-	-	■	-	-	-	-	-	■	■	frm
	Mini	-	-	-	■	-	-	-	-	-	■	■	
	Midi	-	-	-	■	-	-	-	-	-	■	■	
	Maxi	-	-	-	■	-	-	-	-	-	■	■	
Distributor block FRZ	Micro	-	-	-	■	-	-	-	-	-	-	-	frz
	Mini	-	-	-	■	-	-	-	-	-	-	-	
	Midi	-	-	-	■	-	-	-	-	-	-	-	
	Maxi	-	-	-	■	-	-	-	-	-	-	-	

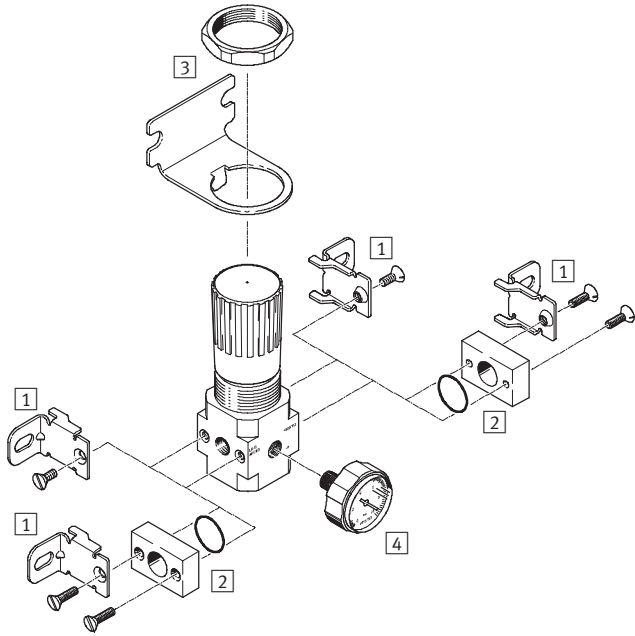
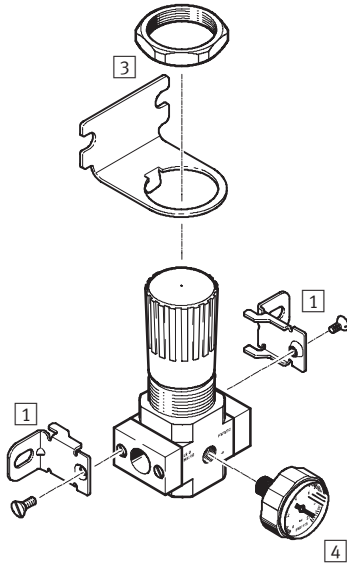
Pressure regulators LR/LRS, D series, metal design

Peripherals overview

Micro

Individual unit with connection plates, connection size G $\frac{1}{8}$, QS4 or QS6

Individual unit without connection plates, for service unit combination connection size M5 or M7 in housing



Mounting attachments and accessories					
	Individual unit		Combination		→ Page/ Internet
	with connection plates	without connection plates	with connection plates	without connection plates	
1 Mounting bracket HFOE	■	■	■	■	hfoe-d
2 Connecting plate kit PBL	-	■	-	■	pbl
3 Mounting bracket HRS	■	■	■	■	hrs-d
4 Pressure gauge MA-27	■	■	■	■	52

Pressure regulators LR/LRS, D series, metal design

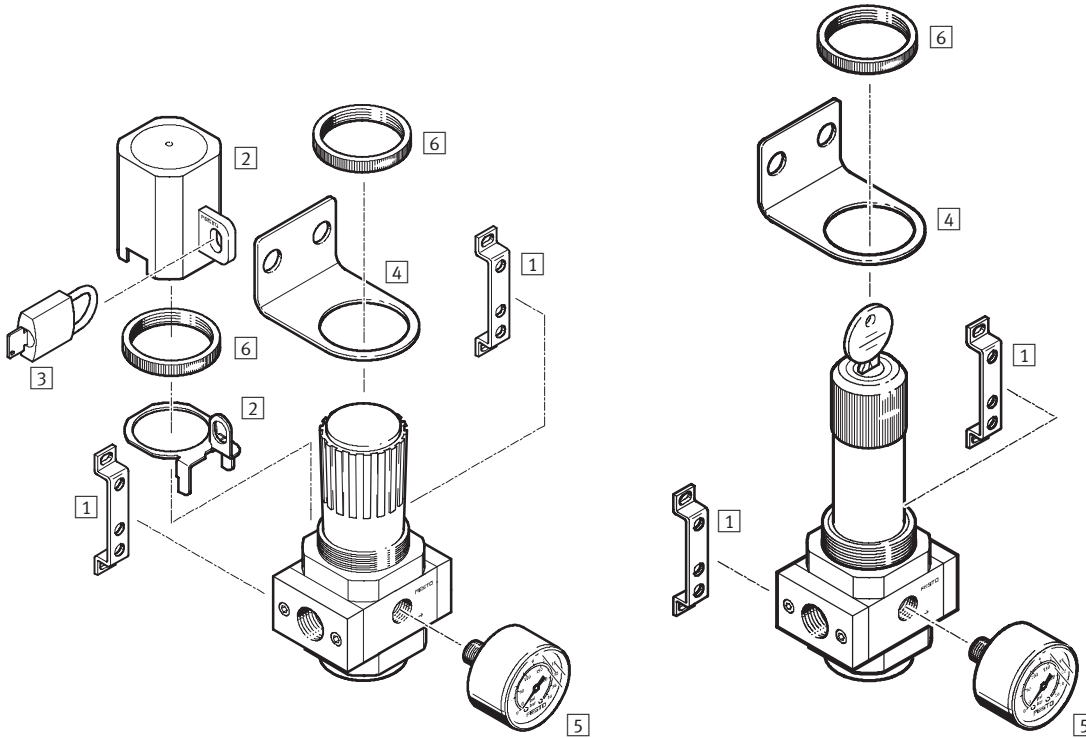
Peripherals overview

FESTO

Mini/Midi/Maxi

Pressure regulator LR

Pressure regulator LRS, lockable



Mounting attachments and accessories		Rotary knob with detent	Rotary knob, lockable	→ Page/ Internet
1	Mounting bracket HFOE	■	■	hfoe-d
2	Regulator lock LRVS	■	-	lrvs-d
3	Padlock LRVS-D	■	-	lrvs-d
4	Mounting bracket HR-D	■	■	hr-d
5	Pressure gauge MA	■	■	52
6	Knurled nut (included in scope of delivery) HMR	■	■	-

Pressure regulators LR/LRS, D series, metal design

Type codes

LR – 1/2 – D – 7 – 0 – DI – MAXI

Basic function

LR	Pressure regulator
LRS	Pressure regulator, lockable

Pneumatic connection

M5	Thread M5
M7	Thread M7
QS4	Push-in fitting QS4
QS6	Push-in fitting QS6
1/8	Thread G1/8
1/4	Thread G1/4
3/8	Thread G3/8
1/2	Thread G1/2
3/4	Thread G3/4
1	Thread G1

Series

D	Series
---	--------

Pressure regulation range

	0.5 ... 12 bar
7	0.5 ... 7 bar

Pressure gauge

	With pressure gauge
0	Without pressure gauge

Functions

I	With integrated return flow function
DI	Directly actuated pressure regulator with integrated return flow function (MAXI units only)

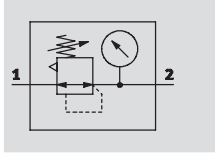
Size

MICRO	Grid dimension 25 mm (without connecting plates)
MINI	Grid dimension 40 mm (without connecting plates)
MIDI	Grid dimension 55 mm (without connecting plates)
MAXI	Grid dimension 66 mm (without connecting plates)

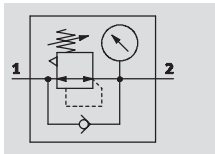
Pressure regulators LR/LRS, D series, metal design

Technical data

LR/LRS-...-MICRO/MINI/MIDI
with pressure gauge



LR/LRS-...-I-MINI/MIDI,
LR/LRS-...-MAXI
with pressure gauge



- - Flow rate
120 ... 12500 l/min

- - Temperature range
-10 ... +60 °C

- - Input pressure
1 ... 16 bar



- Also suitable for front panel mounting
- Two pressure gauge connections for different fitting options
- Mini and Midi sizes: Directly actuated diaphragm regulator
- Maxi size: Pilot actuated piston regulator, diaphragm regulator LRS-DI
- Good regulating characteristics with minimal pressure hysteresis
- High flow rate
- Two pressure regulation ranges: 0.5 ... 7 bar and 0.5 ... 12 bar
- Setting values are secured by locking the rotary knob
- Return flow option for venting from output 2 to input 1
- Pressure sensor (optional) → 52

General technical data																
Size	Micro					Mini			Midi				Maxi			
Pneumatic connection	M5	M7	G ¹ / ₈	QS4	QS6	G ¹ / ₈	G ¹ / ₄	G ³ / ₈	G ¹ / ₄	G ³ / ₈	G ¹ / ₂	G ³ / ₄	G ¹ / ₂	G ³ / ₄	G1	
Operating medium	Compressed air					Filtered compressed air, lubricated or unlubricated, grade of filtration 40 µm										
Design	Directly actuated diaphragm regulator					Directly actuated diaphragm regulator							Pilot actuated piston regulator			
													Directly actuated diaphragm regulator			
Type of mounting	Via accessories															
	In-line installation															
	Front panel mounting															
Assembly position	Any															
Regulator lock	Rotary knob with detent															
	-					Rotary knob with integrated lock										
Max. hysteresis [bar]	0.3					0.2							0.4			
Input pressure [bar]	1 ... 10					1 ... 16										
Pressure regulation range [bar]	0.5 ... 7					0.5 ... 7										
						0.5 ... 12										
Pressure indication	Via pressure gauge															
	M5 prepared					G ¹ / ₈ prepared			G ¹ / ₄ prepared				G ¹ / ₂ prepared			

- - Note: This product conforms with the ISO 1179-1 standard and the ISO 228-1 standard.

Pressure regulators LR/LRS, D series, metal design

FESTO

Technical data

Standard nominal flow rate ¹⁾ qnN [l/min]					
Connection	Female thread		Connecting plate		
	M5	M7	G $\frac{1}{8}$	QS4	QS6
Micro					
LR	120	300	450	160	450

1) Measured at p₁ = 10 bar, p₂ = 6 bar and Δp = 1 bar.

Standard nominal flow rate ¹⁾ qnN [l/min]						
Connection	G $\frac{1}{8}$	G $\frac{1}{4}$	G $\frac{3}{8}$	G $\frac{1}{2}$	G $\frac{3}{4}$	G1
Mini						
Pressure regulation range 0.5 ... 7 bar	1000	1600	1800	–	–	–
Pressure regulation range 0.5 ... 12 bar	800	1500	1700	–	–	–
Midi						
Pressure regulation range 0.5 ... 7 bar	–	2200	3300	4000	4500	–
Pressure regulation range 0.5 ... 12 bar	–	2100	3200	3500	3500	–
Maxi						
Pressure regulation range 0.5 ... 7 bar	–	–	–	10700	12000	12500
Pressure regulation range 0.5 ... 12 bar	–	–	–	10500	11000	11500
Maxi – Directly actuated pressure regulator with integrated return flow function						
Pressure regulation range 0.5 ... 7 bar	–	–	–	5400	6800	7000
Pressure regulation range 0.5 ... 12 bar	–	–	–	7300	8350	8400

1) Measured at p₁ = 10 bar, p₂ = 6 bar and Δp = 1 bar.

Screw-in depth of connecting thread [mm]					
Connection	M5	M7	G $\frac{1}{8}$	QS4	QS6
Micro					
In housing	5	6	–	–	–
In connecting plates	–	–	8	–	–

Ambient conditions				
Size	Micro	Mini	Midi	Maxi
Ambient temperature [°C]	–10 ... +60			
Temperature of medium [°C]	–10 ... +60			
Corrosion resistance class CRC ¹⁾	2			

1) Corrosion resistance class 2 according to Festo standard 940 070
Components requiring moderate corrosion resistance. Externally visible parts with primarily decorative surface requirements which are in direct contact with a normal industrial environment or media such as coolants or lubricating agents.

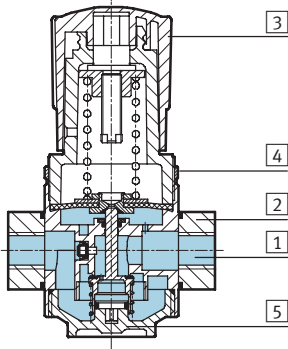
Weight [g]					
Size	Micro		Mini	Midi	Maxi
	Female thread	Connecting plate			
With pressure gauge					
LR	60	80	350	720	1200
LRS	–	–	520	1250	1290
Without pressure gauge					
LR	50	70	300	660	1 100
LRS	–	–	470	1 180	1 215

Pressure regulators LR/LRS, D series, metal design

Technical data

Materials

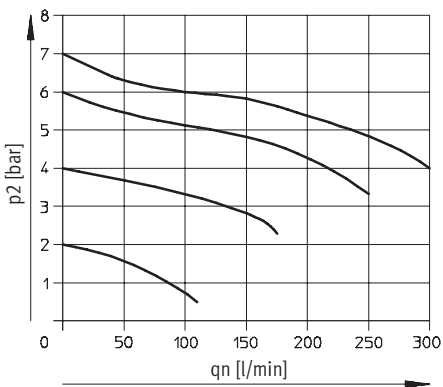
Sectional view



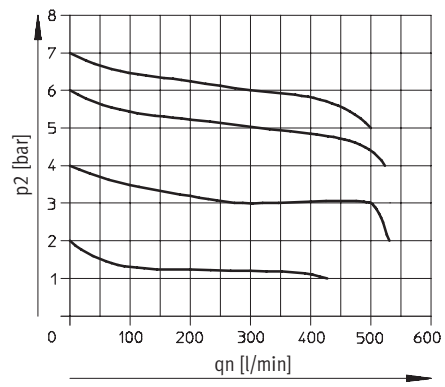
Pressure regulator	Micro	Mini/Midi/Maxi
1 Housing	Wrought aluminium alloy	Die-cast zinc/aluminium
2 Connecting plates	Wrought aluminium alloy	Die-cast zinc/aluminium
3 Regulating knob	Polyacetal	Polyacetal
4 Knurled nut	-	Aluminium
5 Plug cap	Polycarbonate	Polycarbonate
- Seals	Nitrile rubber	Nitrile rubber
Note on materials	-	Designs free of copper, PTFE and silicone → Ordering data

Standard flow rate q_n as a function of the output pressure p_2

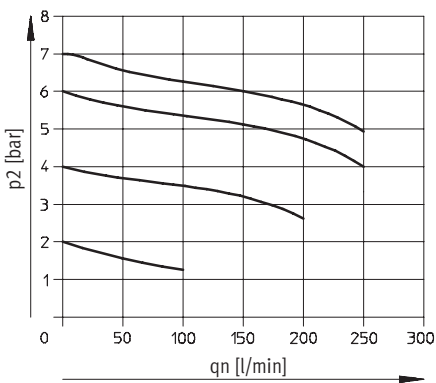
LR-M5-...-MICRO



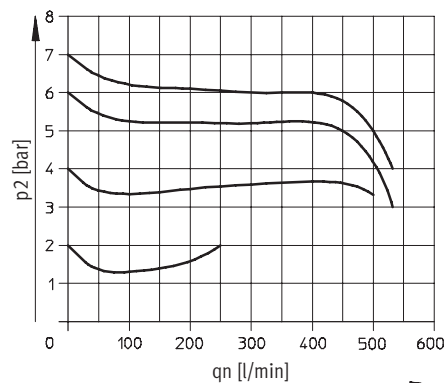
LR-M7-...-MICRO B



LR-QS4-...-MICRO



LR-QS6-...-MICRO and LR-1/8-...-MICRO



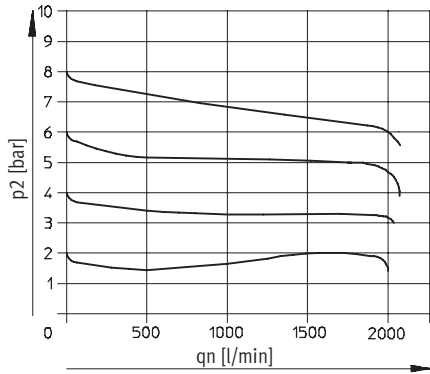
Primary pressure $p_1 = 10$ bar

Pressure regulators LR/LRS, D series, metal design

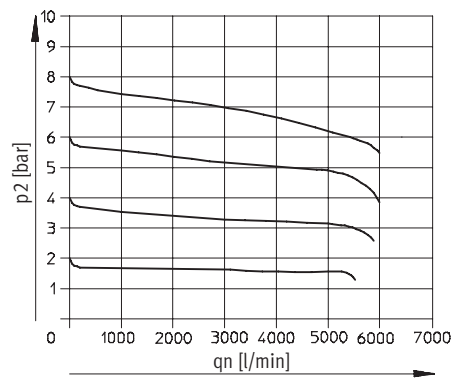
Technical data

Standard flow rate q_n as a function of the output pressure p_2

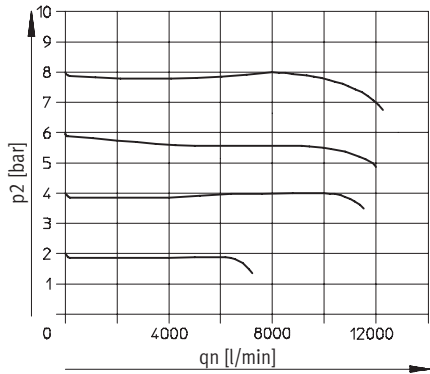
LR/LRS-1/4-D-MINI



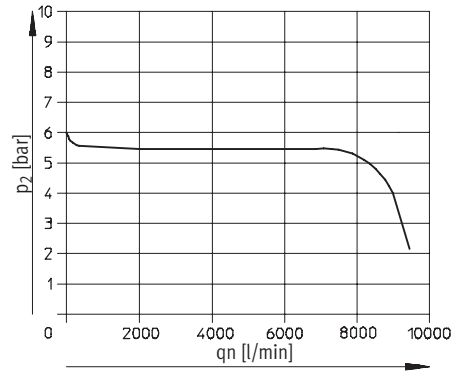
LR/LRS-1/2-D-MIDI




LR/LRS-1-D-MAXI



LR/LRS-1-D-DI-MAXI



Primary pressure $p_1 = 10$ bar

-  - Note

In order to improve control behaviour, primary-pressure dependent internal air consumption is provided on the LR/LRS...-MAXI.

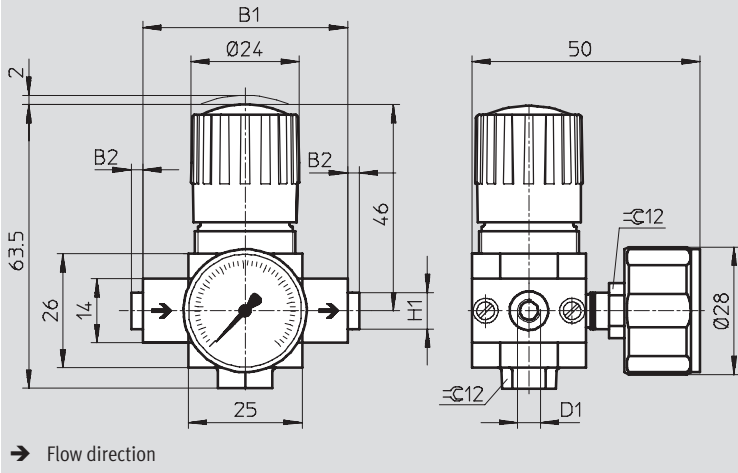
Pressure regulators LR/LRS, D series, metal design

Technical data

Dimensions

Download CAD data → www.festo.com

Micro



Type	B1	B2	D1	H1
Micro				
LR-M5-D-7-MICRO	25	-	M5	-
LR-M7-D-7-MICRO B			M7	
LR-1/8-D-7-MICRO	45	~2.5	G1/8	-
LR-QS4-D-7-MICRO			QS4	~8
LR-QS6-D-7-MICRO			QS6	~10

· || · Note: This product conforms with the ISO 1179-1 standard and the ISO 228-1 standard.

Pressure regulators LR/LRS, D series, metal design

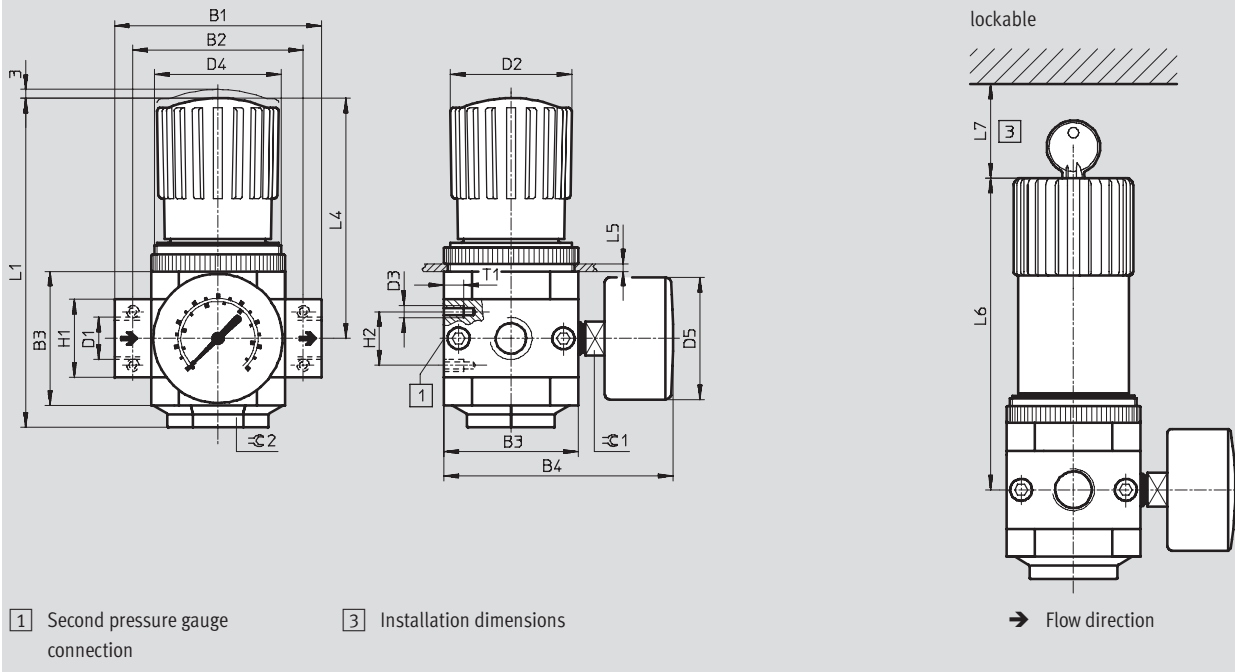
Technical data

FESTO

Dimensions

Download CAD data → www.festo.com

Mini/Midi/Maxi



Type	B1	B2	B3	B4	D1	D2 ∅	D3	D4	D5 ∅				
Mini													
LR/LRS-1/8-D-(I)-MINI	64	52	40	76	G1/8	31	M4	M36x1.5	41				
LR/LRS-1/4-D-(I)-MINI					G1/4								
LR/LRS-3/8-D-(I)-MINI					G3/8								
Midi													
LR/LRS-1/4-D-(I)-MIDI	85	70	55	95	G1/4	50	M5	M52x1.5	50				
LR/LRS-3/8-D-(I)-MIDI					G3/8								
LR/LRS-1/2-D-(I)-MIDI					G1/2								
LR/LRS-3/4-D-(I)-MIDI					G3/4								
Maxi													
LR/LRS-1/2-D-MAXI	96	80	66	107	G1/2	31	M5	M36x1.5	50				
LR/LRS-1/2-D-DI-MAXI						49		M52x1.5					
LR/LRS-3/4-D-MAXI					31	M36x1.5							
LR/LRS-3/4-D-DI-MAXI					49	M52x1.5							
LR/LRS-1-D-MAXI					116	91					G1	31	M36x1.5
LR/LRS-1-D-DI-MAXI											49	M52x1.5	

• Note: This product conforms with the ISO 1179-1 standard and the ISO 228-1 standard.

Pressure regulators LR/LRS, D series, metal design

Technical data

Type	H1	H2	L1	L4	L5 max.	L6	L7	T1	∅ 1	∅ 2
Mini										
LR/LRS-1/8-D-MINI	20	11	96	68	3	98	60	7	14	17
LR/LRS-1/4-D-MINI										
LR/LRS-3/8-D-MINI										
Midi										
LR/LRS-1/4-D-MIDI	32	22	135	99	5	130	60	8	14	36
LR/LRS-3/8-D-MIDI										
LR/LRS-1/2-D-MIDI										
LR/LRS-3/4-D-MIDI										
Maxi										
LR/LRS-1/2-D-MAXI	32	22	125	82	4	111	60	8	14	22
LR/LRS-1/2-D-DI-MAXI			148	105		135				
LR/LRS-3/4-D-MAXI	40		125	82		111				
LR/LRS-3/4-D-DI-MAXI			148	105		135				
LR/LRS-1-D-MAXI			125	82		111				
LR/LRS-1-D-DI-MAXI			148	105		135				

Pressure regulators LR/LRS, D series, metal design

FESTO

Technical data

Ordering data			
Size	Connection	Pressure regulation range 0.5 ... 7 bar	
		Part No.	Type
With pressure gauge			
Micro	Without threaded connecting plates, connecting thread in housing		
	M5	526261	LR-M5-D-7-MICRO
	M7	534180	LR-M7-D-7-MICRO-B
	With threaded connecting plates		
	G1/8	526263	LR-1/8-D-7-MICRO
	With connecting plate and push-in fitting		
	QS4	526269	LR-QS4-D-7-MICRO
QS6	526271	LR-QS6-D-7-MICRO	
Without pressure gauge			
Micro	Without threaded connecting plates, connecting thread in housing		
	M5	526262	LR-M5-D-O-7-MICRO
	M7	534181	LR-M7-D-O-7-MICRO-B
	With threaded connecting plates		
	G1/8	526264	LR-1/8-D-O-7-MICRO
	With connecting plate and push-in fitting		
	QS4	526270	LR-QS4-D-O-7-MICRO
QS6	526272	LR-QS6-D-O-7-MICRO	

Ordering data					
Size	Connection	Pressure regulation range 0.5 ... 7 bar		Pressure regulation range 0.5 ... 12 bar	
		Part No.	Type	Part No.	Type
With pressure gauge					
Mini	G1/8	162582	LR-1/8-D-7-MINI	159624	LR-1/8-D-MINI
	G1/4	162583	LR-1/4-D-7-MINI	159625	LR-1/4-D-MINI
	G3/8	162584	LR-3/8-D-7-MINI	162580	LR-3/8-D-MINI
Midi	G1/4	186453	LR-1/4-D-7-MIDI	186451	LR-1/4-D-MIDI
	G3/8	162585	LR-3/8-D-7-MIDI	159580	LR-3/8-D-MIDI
	G1/2	162586	LR-1/2-D-7-MIDI	159581	LR-1/2-D-MIDI
	G3/4	162587	LR-3/4-D-7-MIDI	162581	LR-3/4-D-MIDI
Maxi	G1/2	186457	LR-1/2-D-7-MAXI	186455	LR-1/2-D-MAXI
	G3/4	162588	LR-3/4-D-7-MAXI	159626	LR-3/4-D-MAXI
	G1	162589	LR-1-D-7-MAXI	159627	LR-1-D-MAXI
Without pressure gauge					
Mini	G1/8	162598	LR-1/8-D-7-O-MINI ¹⁾	162590	LR-1/8-D-O-MINI ¹⁾
	G1/4	162599	LR-1/4-D-7-O-MINI ¹⁾	162591	LR-1/4-D-O-MINI ¹⁾
	G3/8	162600	LR-3/8-D-7-O-MINI ¹⁾	162592	LR-3/8-D-O-MINI ¹⁾
Midi	G1/4	186454	LR-1/4-D-7-O-MIDI ¹⁾	186452	LR-1/4-D-O-MIDI ¹⁾
	G3/8	162601	LR-3/8-D-7-O-MIDI ¹⁾	162593	LR-3/8-D-O-MIDI ¹⁾
	G1/2	162602	LR-1/2-D-7-O-MIDI ¹⁾	162594	LR-1/2-D-O-MIDI ¹⁾
	G3/4	162603	LR-3/4-D-7-O-MIDI ¹⁾	162595	LR-3/4-D-O-MIDI ¹⁾
Maxi	G1/2	186458	LR-1/2-D-7-O-MAXI ¹⁾	186456	LR-1/2-D-O-MAXI ¹⁾
	G3/4	162604	LR-3/4-D-7-O-MAXI ¹⁾	162596	LR-3/4-D-O-MAXI ¹⁾
	G1	162605	LR-1-D-7-O-MAXI ¹⁾	162597	LR-1-D-O-MAXI ¹⁾

1) Free of copper, PTFE and silicone

Pressure regulators LR/LRS, D series, metal design

Technical data

Ordering data					
Pressure regulator with integrated return flow function					
Size	Connection	Pressure regulation range 0.5 ... 7 bar		Pressure regulation range 0.5 ... 12 bar	
		Part No.	Type	Part No.	Type
With pressure gauge					
Mini	G1/8	192299	LR-1/8-D-7-I-MINI	192298	LR-1/8-D-I-MINI
	G1/4	192301	LR-1/4-D-7-I-MINI	192300	LR-1/4-D-I-MINI
	G3/8	192303	LR-3/8-D-7-I-MINI	192302	LR-3/8-D-I-MINI
Midi	G1/4	192311	LR-1/4-D-7-I-MIDI	192310	LR-1/4-D-I-MIDI
	G3/8	192313	LR-3/8-D-7-I-MIDI	192312	LR-3/8-D-I-MIDI
	G1/2	192315	LR-1/2-D-7-I-MIDI	192314	LR-1/2-D-I-MIDI
	G3/4	192317	LR-3/4-D-7-I-MIDI	192316	LR-3/4-D-I-MIDI
Without pressure gauge					
Mini	G1/8	192305	LR-1/8-D-7-O-I-MINI ¹⁾	192304	LR-1/8-D-O-I-MINI ¹⁾
	G1/4	192307	LR-1/4-D-7-O-I-MINI ¹⁾	192306	LR-1/4-D-O-I-MINI ¹⁾
	G3/8	192309	LR-3/8-D-7-O-I-MINI ¹⁾	192308	LR-3/8-D-O-I-MINI ¹⁾
Midi	G1/4	192319	LR-1/4-D-7-O-I-MIDI ¹⁾	192318	LR-1/4-D-O-I-MIDI ¹⁾
	G3/8	192321	LR-3/8-D-7-O-I-MIDI ¹⁾	192320	LR-3/8-D-O-I-MIDI ¹⁾
	G1/2	192323	LR-1/2-D-7-O-I-MIDI ¹⁾	192322	LR-1/2-D-O-I-MIDI ¹⁾
	G3/4	192325	LR-3/4-D-7-O-I-MIDI ¹⁾	192324	LR-3/4-D-O-I-MIDI ¹⁾

1) Free of copper, PTFE and silicone

Ordering data					
Directly actuated pressure regulator with integrated return flow function					
Size	Connection	Pressure regulation range 0.5 ... 7 bar		Pressure regulation range 0.5 ... 12 bar	
		Part No.	Type	Part No.	Type
With pressure gauge					
Maxi	G1/2	192358	LR-1/2-D-7-DI-MAXI	192356	LR-1/2-D-DI-MAXI
	G3/4	192362	LR-3/4-D-7-DI-MAXI	192360	LR-3/4-D-DI-MAXI
	G1	192366	LR-1-D-7-DI-MAXI	192364	LR-1-D-DI-MAXI
Without pressure gauge					
Maxi	G1/2	192359	LR-1/2-D-7-O-DI-MAXI ¹⁾	192357	LR-1/2-D-O-DI-MAXI ¹⁾
	G3/4	192363	LR-3/4-D-7-O-DI-MAXI ¹⁾	192361	LR-3/4-D-O-DI-MAXI ¹⁾
	G1	192367	LR-1-D-7-O-DI-MAXI ¹⁾	192365	LR-1-D-O-DI-MAXI ¹⁾

1) Free of copper, PTFE and silicone

Pressure regulators LR/LRS, D series, metal design

FESTO

Technical data

Ordering data				
Pressure regulator, lockable				
Size	Connection	Pressure regulation range 0.5 ... 7 bar		Pressure regulation range 0.5 ... 12 bar
		Part No.	Type	Part No. Type
With pressure gauge				
Mini	G $\frac{1}{8}$	194606	LRS- $\frac{1}{8}$ -D-7-MINI	194602 LRS- $\frac{1}{8}$ -D-MINI
	G $\frac{1}{4}$	194614	LRS- $\frac{1}{4}$ -D-7-MINI	194610 LRS- $\frac{1}{4}$ -D-MINI
	G $\frac{3}{8}$	194622	LRS- $\frac{3}{8}$ -D-7-MINI	194618 LRS- $\frac{3}{8}$ -D-MINI
Midi	G $\frac{1}{4}$	194630	LRS- $\frac{1}{4}$ -D-7-MIDI	194626 LRS- $\frac{1}{4}$ -D-MIDI
	G $\frac{3}{8}$	194638	LRS- $\frac{3}{8}$ -D-7-MIDI	194634 LRS- $\frac{3}{8}$ -D-MIDI
	G $\frac{1}{2}$	194646	LRS- $\frac{1}{2}$ -D-7-MIDI	194642 LRS- $\frac{1}{2}$ -D-MIDI
	G $\frac{3}{4}$	194656	LRS- $\frac{3}{4}$ -D-7-MIDI	194650 LRS- $\frac{3}{4}$ -D-MIDI
Maxi	G $\frac{1}{2}$	194660	LRS- $\frac{1}{2}$ -D-7-MAXI	194658 LRS- $\frac{1}{2}$ -D-MAXI
	G $\frac{3}{4}$	194662	LRS- $\frac{3}{4}$ -D-7-MAXI	194664 LRS- $\frac{3}{4}$ -D-MAXI
	G1	194668	LRS-1-D-7-MAXI	194666 LRS-1-D-MAXI
Without pressure gauge				
Mini	G $\frac{1}{8}$	194608	LRS- $\frac{1}{8}$ -D-7-O-MINI	194604 LRS- $\frac{1}{8}$ -D-O-MINI
	G $\frac{1}{4}$	194616	LRS- $\frac{1}{4}$ -D-7-O-MINI	194612 LRS- $\frac{1}{4}$ -D-O-MINI
	G $\frac{3}{8}$	194624	LRS- $\frac{3}{8}$ -D-7-O-MINI	194620 LRS- $\frac{3}{8}$ -D-O-MINI
Midi	G $\frac{1}{4}$	194632	LRS- $\frac{1}{4}$ -D-7-O-MIDI	194628 LRS- $\frac{1}{4}$ -D-O-MIDI
	G $\frac{3}{8}$	194640	LRS- $\frac{3}{8}$ -D-7-O-MIDI	194636 LRS- $\frac{3}{8}$ -D-O-MIDI
	G $\frac{1}{2}$	194648	LRS- $\frac{1}{2}$ -D-7-O-MIDI	194644 LRS- $\frac{1}{2}$ -D-O-MIDI
	G $\frac{3}{4}$	194654	LRS- $\frac{3}{4}$ -D-7-O-MIDI	194652 LRS- $\frac{3}{4}$ -D-O-MIDI
Maxi	G $\frac{1}{2}$	194661	LRS- $\frac{1}{2}$ -D-7-O-MAXI	194659 LRS- $\frac{1}{2}$ -D-O-MAXI
	G $\frac{3}{4}$	194663	LRS- $\frac{3}{4}$ -D-7-O-MAXI	194665 LRS- $\frac{3}{4}$ -D-O-MAXI
	G1	194669	LRS-1-D-7-O-MAXI	194667 LRS-1-D-O-MAXI

Ordering data				
Pressure regulator with integrated return flow function, lockable				
Size	Connection	Pressure regulation range 0.5 ... 7 bar		Pressure regulation range 0.5 ... 12 bar
		Part No.	Type	Part No. Type
With pressure gauge				
Mini	G $\frac{1}{8}$	194607	LRS- $\frac{1}{8}$ -D-7-I-MINI	194603 LRS- $\frac{1}{8}$ -D-I-MINI
	G $\frac{1}{4}$	194615	LRS- $\frac{1}{4}$ -D-7-I-MINI	194611 LRS- $\frac{1}{4}$ -D-I-MINI
	G $\frac{3}{8}$	194623	LRS- $\frac{3}{8}$ -D-7-I-MINI	194619 LRS- $\frac{3}{8}$ -D-I-MINI
Midi	G $\frac{1}{4}$	194631	LRS- $\frac{1}{4}$ -D-7-I-MIDI	194627 LRS- $\frac{1}{4}$ -D-I-MIDI
	G $\frac{3}{8}$	194639	LRS- $\frac{3}{8}$ -D-7-I-MIDI	194635 LRS- $\frac{3}{8}$ -D-I-MIDI
	G $\frac{1}{2}$	194647	LRS- $\frac{1}{2}$ -D-7-I-MIDI	194643 LRS- $\frac{1}{2}$ -D-I-MIDI
	G $\frac{3}{4}$	194657	LRS- $\frac{3}{4}$ -D-7-I-MIDI	194651 LRS- $\frac{3}{4}$ -D-I-MIDI
Without pressure gauge				
Mini	G $\frac{1}{8}$	194609	LRS- $\frac{1}{8}$ -D-7-O-I-MINI	194605 LRS- $\frac{1}{8}$ -D-O-I-MINI
	G $\frac{1}{4}$	194617	LRS- $\frac{1}{4}$ -D-7-O-I-MINI	194613 LRS- $\frac{1}{4}$ -D-O-I-MINI
	G $\frac{3}{8}$	194625	LRS- $\frac{3}{8}$ -D-7-O-I-MINI	194621 LRS- $\frac{3}{8}$ -D-O-I-MINI
Midi	G $\frac{1}{4}$	194633	LRS- $\frac{1}{4}$ -D-7-O-I-MIDI	194629 LRS- $\frac{1}{4}$ -D-O-I-MIDI
	G $\frac{3}{8}$	194641	LRS- $\frac{3}{8}$ -D-7-O-I-MIDI	194637 LRS- $\frac{3}{8}$ -D-O-I-MIDI
	G $\frac{1}{2}$	194649	LRS- $\frac{1}{2}$ -D-7-O-I-MIDI	194645 LRS- $\frac{1}{2}$ -D-O-I-MIDI
	G $\frac{3}{4}$	194655	LRS- $\frac{3}{4}$ -D-7-O-I-MIDI	194653 LRS- $\frac{3}{4}$ -D-O-I-MIDI

Pressure regulators LR/LRS, D series, metal design

Technical data

Ordering data					
Directly actuated pressure regulator with integrated return flow function, lockable					
Size	Connection	Pressure regulation range 0.5 ... 7 bar		Pressure regulation range 0.5 ... 12 bar	
		Part No.	Type	Part No.	Type
With pressure gauge					
Maxi	G1/2	194672	LRS-1/2-D-7-DI-MAXI	194670	LRS-1/2-D-DI-MAXI
	G3/4	194676	LRS-3/4-D-7-DI-MAXI	194674	LRS-3/4-D-DI-MAXI
	G1	194680	LRS-1-D-7-DI-MAXI	194678	LRS-1-D-DI-MAXI
Without pressure gauge					
Maxi	G1/2	194673	LRS-1/2-D-7-O-DI-MAXI	194671	LRS-1/2-D-O-DI-MAXI
	G3/4	194677	LRS-3/4-D-7-O-DI-MAXI	194675	LRS-3/4-D-O-DI-MAXI
	G1	194681	LRS-1-D-7-O-DI-MAXI	194679	LRS-1-D-O-DI-MAXI

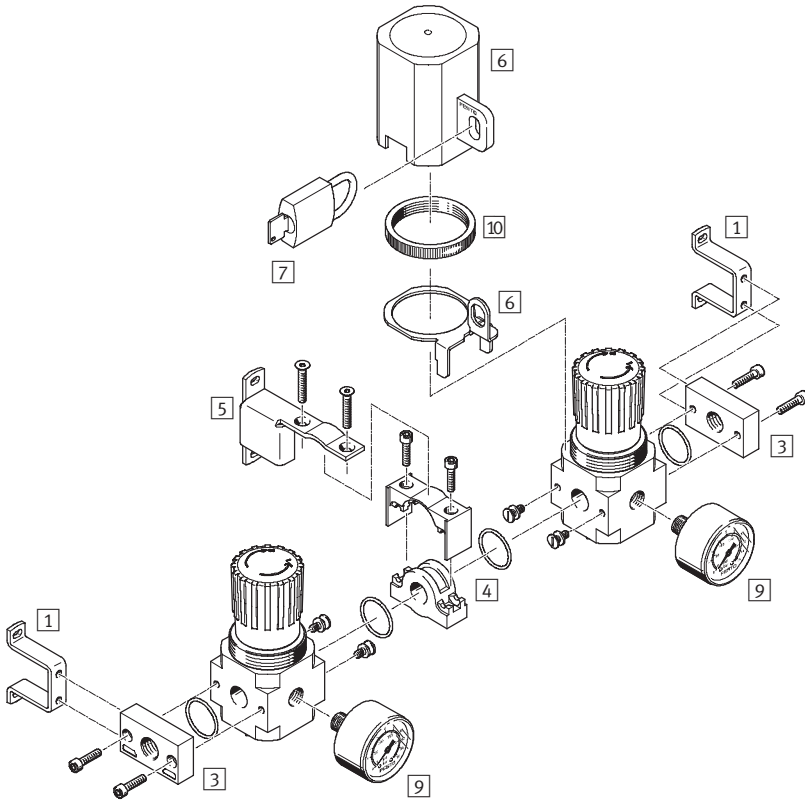
Pressure regulators LRB/LRBS, D series, metal design

Peripherals overview

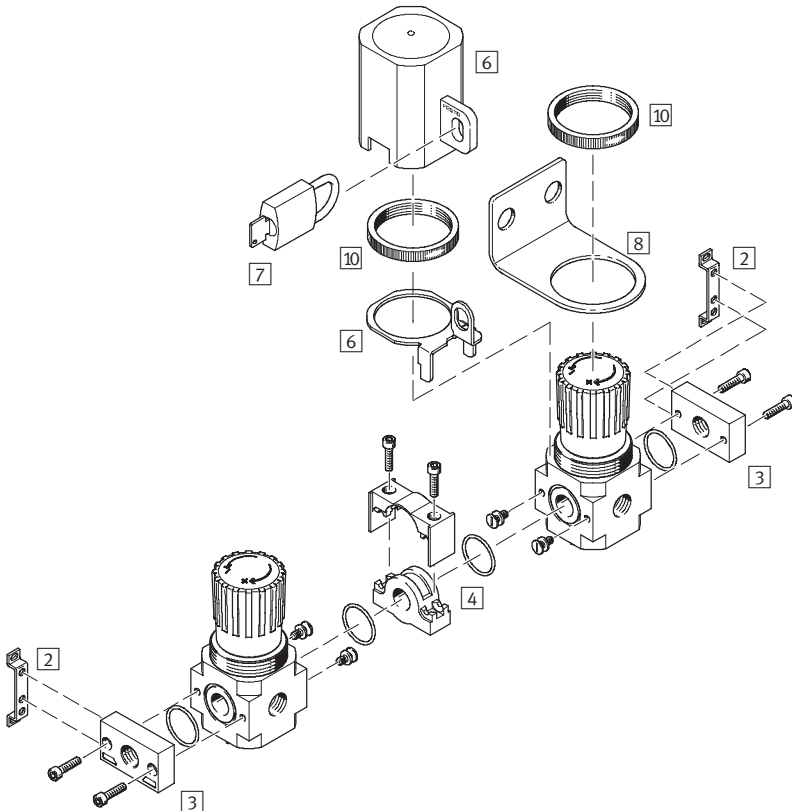
FESTO

Mini/Midi

Pressure regulator LRB – pressure output at rear



Pressure regulator LRB – pressure output at front



Pressure regulators LRB/LRBS, D series, metal design

Peripherals overview

Mounting attachments and accessories			
Pressure regulator LRB	Pressure output at rear	Pressure output at front	→ Page/ Internet
1) Mounting bracket HRB	■	-	hrb-d
2) Mounting bracket HFOE	-	■	hfoe-d
3) Connection plates LRBAS	■	■	lrbas
4) Adapter kit HRBC	■	■	hrbc-d
5) Mounting bracket HRBK	■ ¹⁾	-	hrbk-d
6) Regulator lock LRVS	■	■	lrvs-d
7) Padlock LRVS-D	■	■	lrvs-d
8) Mounting bracket HR-D	-	■	hr-d
9) Pressure gauge MA	■	-	52
10) Knurled nut (included in scope of delivery) HMR	■	■	-

1) The mounting bracket must be mounted after every second pressure regulator.

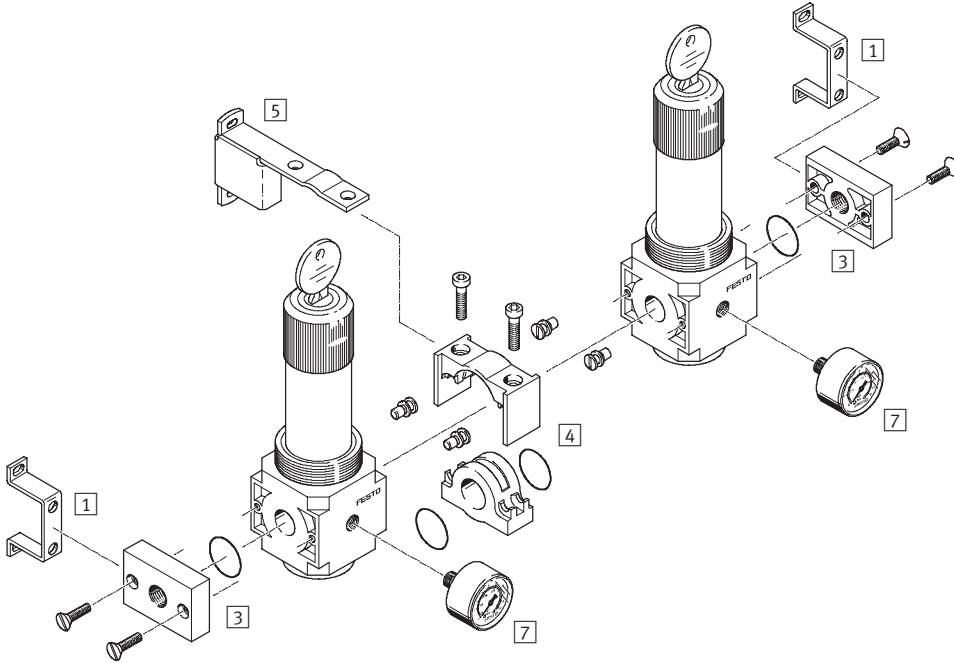
Pressure regulators LRB/LRBS, D series, metal design

Peripherals overview

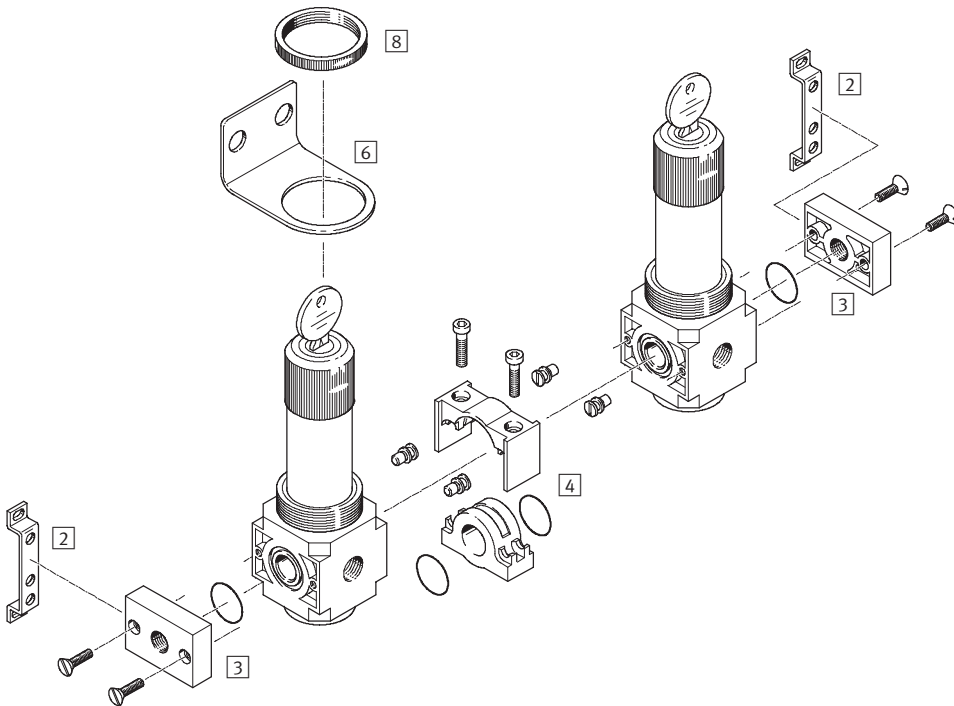
FESTO

Mini/Midi

Pressure regulator LRBS lockable – pressure output at rear



Pressure regulator LRBS lockable – pressure output at front



Pressure regulators LRB/LRBS, D series, metal design

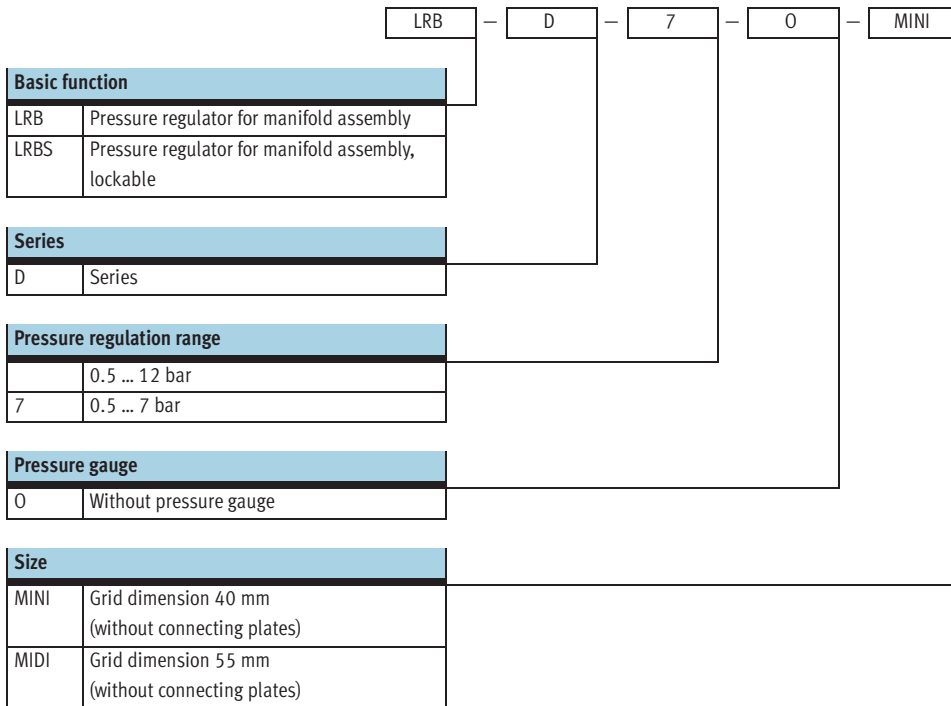
Peripherals overview

Mounting attachments and accessories			
Pressure regulator LRBS, lockable	Pressure output at rear	Pressure output at front	→ Page/ Internet
1) Mounting bracket HRB	■	-	hrb-d
2) Mounting bracket HFOE	-	■	hfoe-d
3) Connection plates LRBAS	■	■	lrbas
4) Adapter kit HRBC	■	■	hrbc-d
5) Mounting bracket HRBK	■ ¹⁾	-	hrbk-d
6) Mounting bracket HR-D	-	■	hr-d
7) Pressure gauge MA	■	-	52
8) Knurled nut (included in scope of delivery) HMR	■	■	-

1) The mounting bracket must be mounted after every second pressure regulator.

Pressure regulators LRB/LRBS, D series, metal design

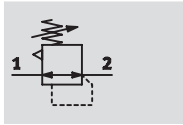
Type codes



Pressure regulators LRB/LRBS, D series, metal design

Technical data

Function



- - Flow rate
1600 ... 3800 l/min
- - Temperature range
-10 ... +60 °C
- - Input pressure
1 ... 16 bar



The pressure regulator is suitable for manifold assemblies with through air supply on both sides, for configuring a regulator manifold with separate, independent pressure ranges. Pressure output is at the front or rear.

- Good control characteristics with low hysteresis and primary pressure compensation
- Manifold assembly with through air supply
- For configuring a regulator manifold with independent pressure ranges
- Two pressure regulation ranges: 0.5 ... 7 bar and 0.5 ... 12 bar
- Settings secured via detent on knob and push-in adjustment lock
- Directly actuated diaphragm regulator

General technical data				
Size	Mini		Midi	
Pneumatic connection 1 ¹⁾	G $\frac{1}{4}$	G $\frac{3}{8}$	G $\frac{3}{8}$	G $\frac{1}{2}$
Pneumatic connection 2	G $\frac{1}{4}$		G $\frac{3}{8}$	
Operating medium	Compressed air, filtered, grade of filtration 40 μ m			
Design	Directly actuated diaphragm regulator with through pressure supply			
Type of mounting	Via accessories In-line installation			
Assembly position	Any			
Regulator lock	Rotary knob with detent Rotary knob with integrated lock			
Max. hysteresis [bar]	0.2			
Input pressure p1 [bar]	1 ... 16			
Pressure regulation range [bar]	0.5 ... 7 0.5 ... 12			
Pressure indication	G $\frac{1}{8}$ prepared		G $\frac{1}{4}$ prepared	

1) Dependent on connecting plate selected, must be ordered separately as an accessory → Internet: lrbas
 - ∇ - Note: This product conforms with the ISO 1179-1 standard and the ISO 228-1 standard.

Standard nominal flow rate ¹⁾ qnN [l/min]		
Size	Mini	Midi
Pressure regulation range 0.5 ... 7 bar	1800	3800
Pressure regulation range 0.5 ... 12 bar	1600	3200

1) Measured at p1 = 10 bar, p2 = 6 bar and $\Delta p = 1$ bar.

Ambient conditions		
Size	Mini	Midi
Ambient temperature [°C]	-10 ... +60 °C	
Temperature of medium [°C]	-10 ... +60 °C	
Corrosion resistance class CRC ¹⁾	2	

1) Corrosion resistance class 2 according to Festo standard 940 070
 Components requiring moderate corrosion resistance. Externally visible parts with primarily decorative surface requirements which are in direct contact with a normal industrial environment or media such as coolants or lubricating agents.

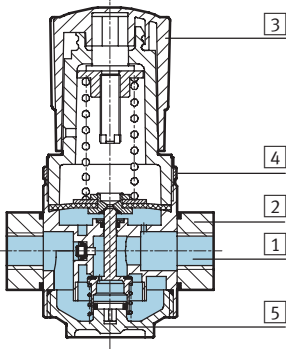
Pressure regulators LRB/LRBS, D series, metal design

Technical data

Weight [g]		
Size	Mini	Midi
Pressure regulator	250	700
Pressure regulator, lockable	350	940

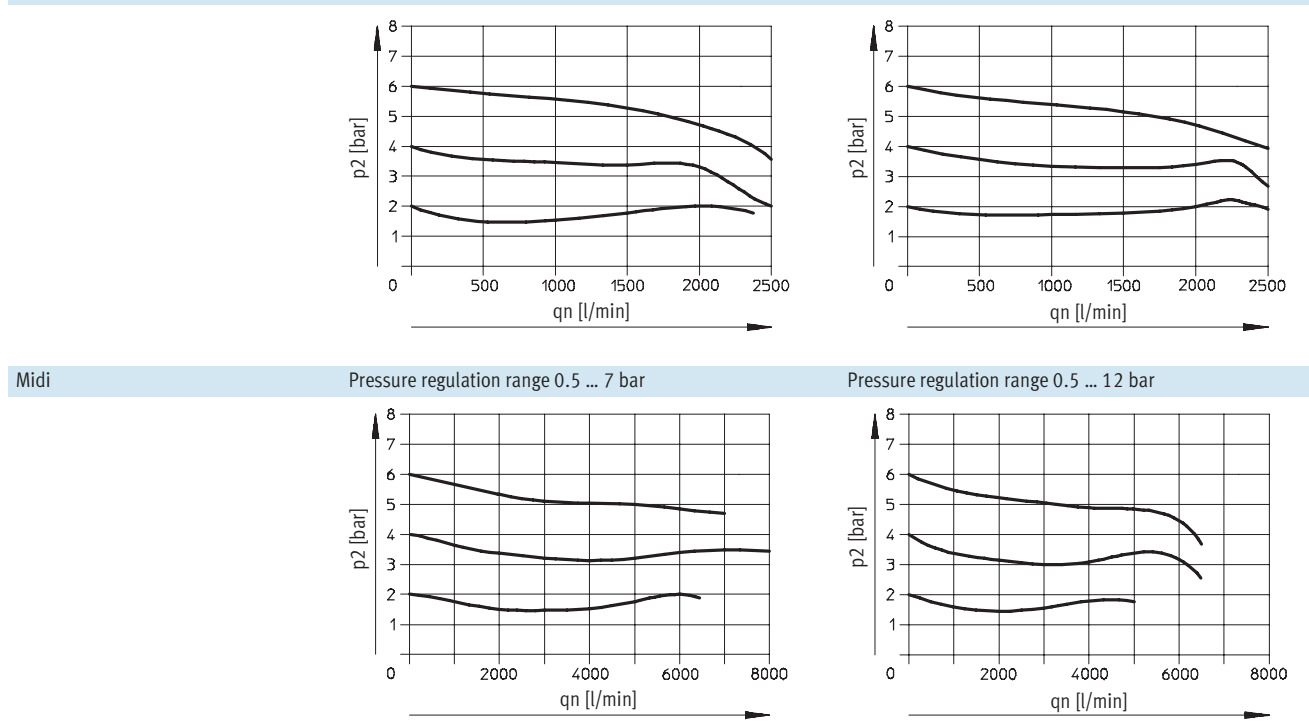
Materials

Sectional view



Pressure regulator		
1	Housing	Die-cast zinc
2	Connecting plates	Die-cast zinc
3	Regulating knob	Polyacetal
4	Knurled nut	Aluminium
5	Plug cap	Polycarbonate
-	Seals	Nitrile rubber
Note on materials		Free of copper, PTFE and silicone

Standard flow rate q_n as a function of the output pressure p_2



Primary pressure $p_1 = 10$ bar

Pressure regulators LRB/LRBS, D series, metal design

Technical data

Dimensions

Pressure regulator LRB

Download CAD data → www.festo.com

Pressure regulator, lockable LRBS

1 Pressure gauge connection

2 Installation dimensions

→ Flow direction,
Input pressure p1 from both
directions possible

Type	B3	D2	D3	D4	D7	L1	L2	L4	L5 max.	L6	L7 min.	≈ 2
Mini												
LRB-D-...-MINI	40	31	G $\frac{1}{8}$	M36x1.5	G $\frac{1}{4}$	~95.4	3	~68.9	3	98	60	17
LRBS-D-...-MINI												
Midi												
LRB-D-...-MIDI	55	50	G $\frac{1}{4}$	M52x1.5	G $\frac{3}{8}$	~135.8	3	~100.3	5	129.2	60	36
LRBS-D-...-MIDI												

· | - Note: This product conforms with the ISO 1179-1 standard and the ISO 228-1 standard.

Ordering data				
Pressure regulator for manifold assembly				
Size	Pressure regulation range 0.5 ... 7 bar		Pressure regulation range 0.5 ... 12 bar	
	Part No.	Type	Part No.	Type
Without pressure gauge				
Mini	197534	LRB-D-7-O-MINI	197535	LRB-D-O-MINI
Midi	197538	LRB-D-7-O-MIDI	197539	LRB-D-O-MIDI
Lockable				
Mini	194683	LRBS-D-7-O-MINI	194682	LRBS-D-O-MINI
Midi	194687	LRBS-D-7-O-MIDI	194686	LRBS-D-O-MIDI

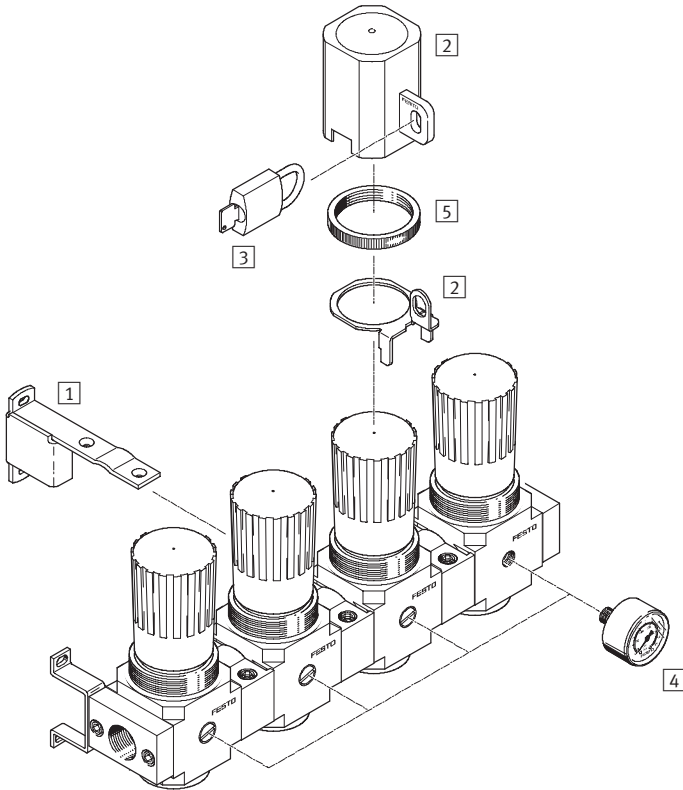
Pressure regulator combinations LRB-K, D series, metal design

FESTO

Peripherals overview

Mini/Midi

Pressure regulator combination LRB-K

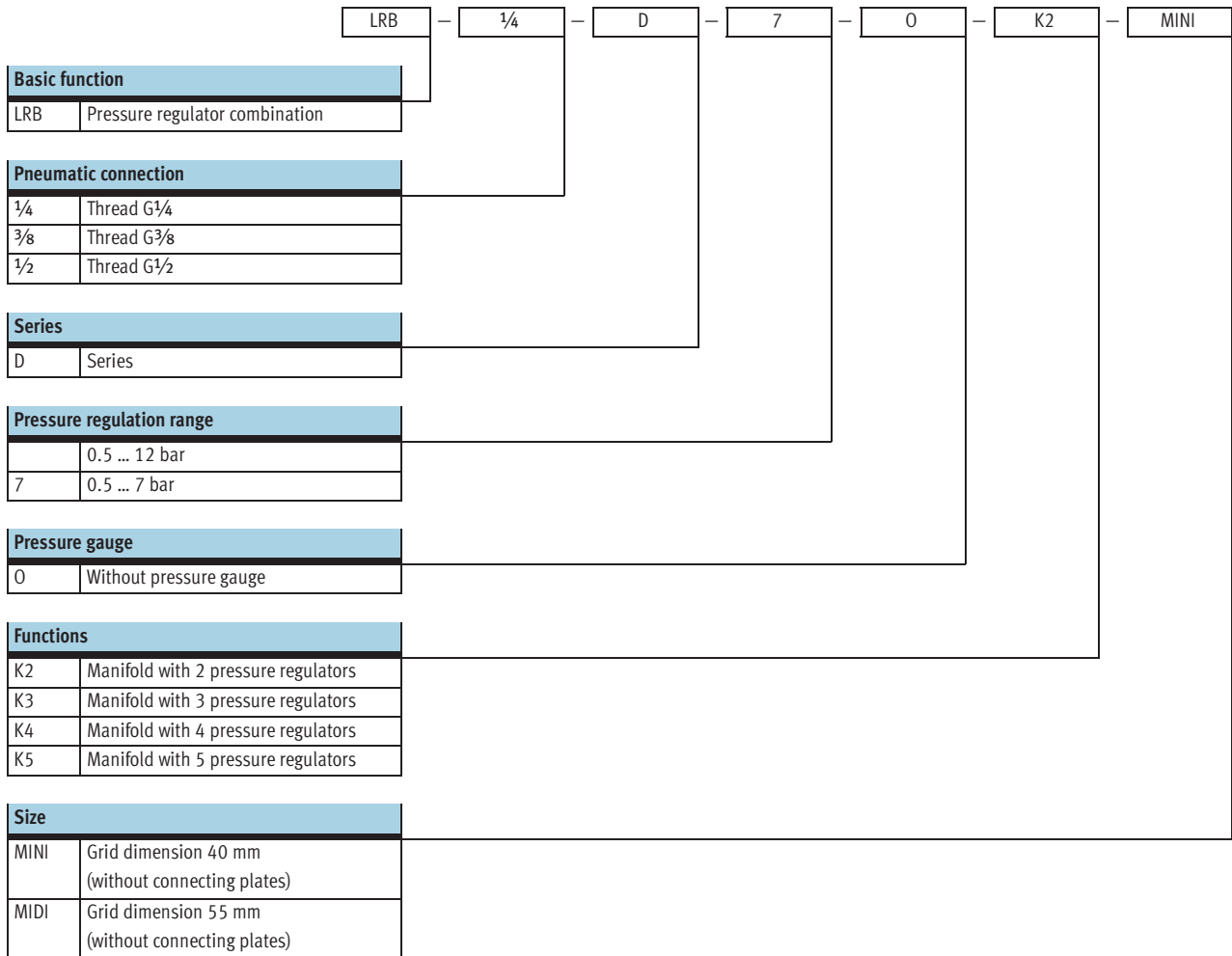


Mounting attachments and accessories		→ Page/ Internet
1	Mounting bracket HRBK ¹⁾	hrbk-d
2	Regulator lock LRVS	lrvs-d
3	Padlock LRVS-D	lrvs-d
4	Pressure gauge MA	52
5	Knurled nut (included in scope of delivery) HMR	-

1) The mounting bracket must be mounted after every second pressure regulator.

Pressure regulator combinations LRB-K, D series, metal design

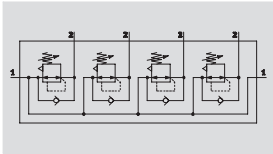
Type codes






Pressure regulator combinations LRB-K, D series, metal design

Technical data

Function



-  - Flow rate
1600 ... 3800 l/min
-  - Temperature range
-10 ... +60 °C
-  - Input pressure
1 ... 16 bar

Pressure regulator combinations

LRB-...-D-...-O-K2

LRB-...-D-...-O-K3

LRB-...-D-...-O-K4

LRB-...-D-...-O-K5

with through pressure supply for manifold assembly



- Good control characteristics with low hysteresis and primary pressure compensation
- Manifold assembly with through air supply
- For configuring a regulator manifold with independent pressure ranges
- Two pressure regulation ranges: 0.5 ... 7 bar and 0.5 ... 12 bar
- Settings secured via detent on knob and push-in adjustment lock
- Directly actuated diaphragm regulator

General technical data				
Size	Mini		Midi	
Pneumatic connection 1	G $\frac{1}{4}$	G $\frac{3}{8}$	G $\frac{3}{8}$	G $\frac{1}{2}$
Pneumatic connection 2	G $\frac{1}{4}$		G $\frac{3}{8}$	
Operating medium	Compressed air, filtered, grade of filtration 40 μ m			
Design	Directly actuated diaphragm regulator with through pressure supply			
Type of mounting	Via accessory (mounting bracket HRB or HRBK included in scope of delivery)			
Assembly position	Any			
Regulator lock	Rotary knob with detent			
Max. hysteresis [bar]	0.2			
Input pressure p ₁ [bar]	1 ... 16			
Pressure regulation range [bar]	0.5 ... 7			
	0.5 ... 12			
Pressure indication	G $\frac{1}{8}$ prepared		G $\frac{1}{4}$ prepared	

-  Note: This product conforms with the ISO 1179-1 standard and the ISO 228-1 standard.

Standard nominal flow rate ¹⁾ q _N [l/min]		
Size	Mini	Midi
Pressure regulation range 0.5 ... 7 bar	1800	3800
Pressure regulation range 0.5 ... 12 bar	1600	3200

1) Measured at p₁ = 10 bar, p₂ = 6 bar and Δp = 1 bar.

Pressure regulator combinations LRB-K, D series, metal design

Technical data

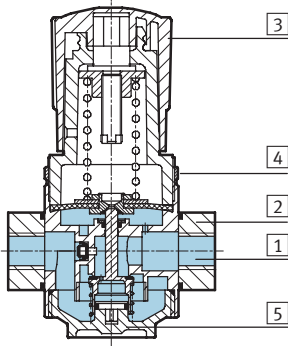
Ambient conditions		
Size	Mini	Midi
Ambient temperature [°C]	-10 ... +60 °C	
Temperature of medium [°C]	-10 ... +60 °C	
Corrosion resistance class CRC ¹⁾	2	

1) Corrosion resistance class 2 according to Festo standard 940 070
 Components requiring moderate corrosion resistance. Externally visible parts with primarily decorative surface requirements which are in direct contact with a normal industrial environment or media such as coolants or lubricating agents.

Weight [g]		
Size	Mini	Midi
Manifold with 2 pressure regulators		
LRB-...-K2	760	1950
Manifold with 3 pressure regulators		
LRB-...-K3	1090	3144
Manifold with 4 pressure regulators		
LRB-...-K4	1480	3834
Manifold with 5 pressure regulators		
LRB-...-K5	1860	4820

Materials

Sectional view

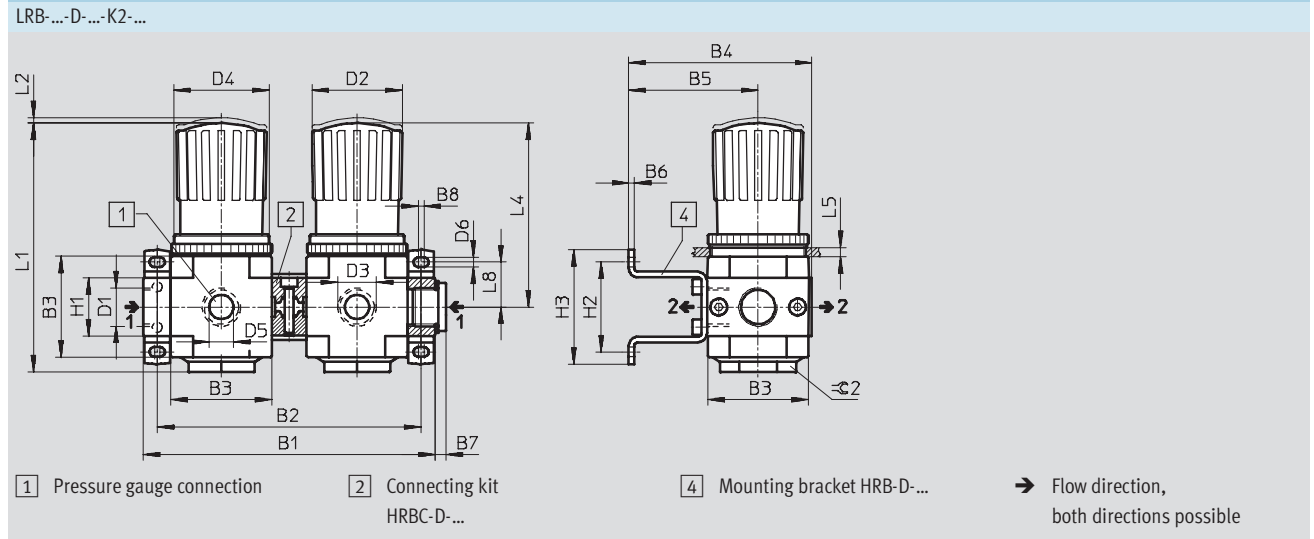


Pressure regulator	Mini/Midi
1 Housing	Die-cast zinc
2 Connecting plates	Die-cast zinc
3 Regulating knob	Polyacetal
4 Knurled nut	Aluminium
5 Plug cap	Polycarbonate
- Seals	Nitrile rubber

Pressure regulator combinations LRB-K, D series, metal design

Technical data

Dimensions Download CAD data → www.festo.com



Type	B1	B2	B3	B4	B5	B6	B7	B8	D1	D2	D3	D4
Mini												
LRB-1/4-D-...-K2-MINI	119	~107	40	80.7	59.2	2.5	5	7.3	G1/4	31	G1/4	M36x1.5
LRB-3/8-D-...-K2-MINI	125								G3/8			
Midi												
LRB-3/8-D-...-K2-MIDI	159	~144	55	99.9	70.6	3	5	8.3	G3/8	50	G3/8	M52x1.5
LRB-1/2-D-...-K2-MIDI							6		G1/2			

Type	D5	D6	H1	H2 ±0.2	H3	L1	L2	L4	L5 max.	L8	≈ 2
Mini											
LRB-1/4-D-...-K2-MINI	G1/8	4.3	20	35	47.3	~95.4	3	~68.9	3	17.5	17
LRB-3/8-D-...-K2-MINI											
Midi											
LRB-3/8-D-...-K2-MIDI	G1/4	5.3	32	49	62.3	~135.8	3	~100.3	5	31.2	36
LRB-1/2-D-...-K2-MIDI											

• Note: This product conforms with the ISO 1179-1 standard and the ISO 228-1 standard.

Pressure regulator combinations LRB-K, D series, metal design

Technical data

Dimensions Download CAD data → www.festo.com

LRB-...-D-...-K3-...

1 Pressure gauge connection 4 Mounting bracket HRB-D-... 5 Mounting bracket HRBK-D-... → Flow direction, both directions possible

2 Connecting kit HRBC-D-...

Type	B1	B2	B3	B4	B5	B6	B7	B8	B9	D1	D2	D3	D4
Mini													
LRB-1/4-D-...-K3-MINI	174	~162	40	80.7	59.2	2.5	5	7.3	108.5	G1/4	31	G1/4	M36x1.5
LRB-3/8-D-...-K3-MINI	180									G3/8			
Midi													
LRB-3/8-D-...-K3-MIDI	233	~218	55	99.9	70.6	3	5	8.3	146	G3/8	50	G3/8	M52x1.5
LRB-1/2-D-...-K3-MIDI							6			G1/2			

Type	D5	D6	H1	H2 ±0.2	H3	L1	L2	L4	L5 max.	L8	≅ 2
Mini											
LRB-1/4-D-...-K3-MINI	G1/8	4.3	20	35	47.3	~95.4	3	~68.9	3	17.5	17
LRB-3/8-D-...-K3-MINI											
Midi											
LRB-3/8-D-...-K3-MIDI	G1/4	5.3	32	49	62.3	~135.8	3	~100.3	5	31.2	36
LRB-1/2-D-...-K3-MIDI											

• | - Note: This product conforms with the ISO 1179-1 standard and the ISO 228-1 standard.

Pressure regulator combinations LRB-K, D series, metal design

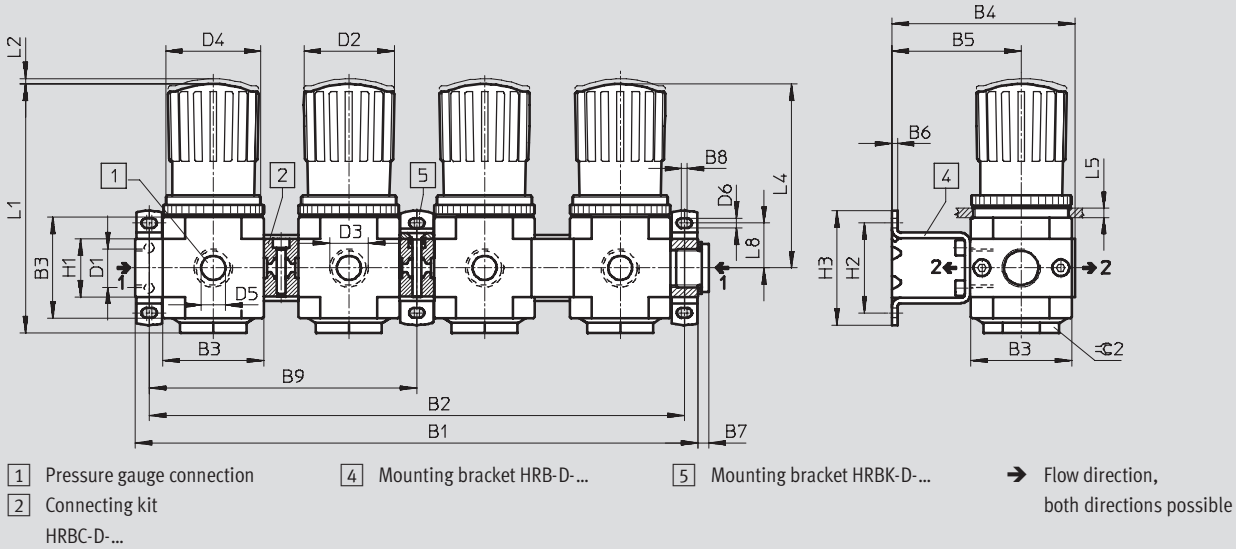
Technical data

FESTO

Dimensions

Download CAD data → www.festo.com

LRB-...-D-...-K4-...



Type	B1	B2	B3	B4	B5	B6	B7	B8	B9	D1	D2	D3	D4
Mini													
LRB-1/4-D-...-K4-MINI	229	~217	40	80.7	59.2	2.5	5	7.3	108.5	G1/4	31	G1/4	M36x1.5
LRB-3/8-D-...-K4-MINI	235									G3/8			
Midi													
LRB-3/8-D-...-K4-MIDI	307	~292	55	99.9	70.6	3	5	8.3	146	G3/8	50	G3/8	M52x1.5
LRB-1/2-D-...-K4-MIDI							6			G1/2			

Type	D5	D6	H1	H2 ±0.2	H3	L1	L2	L4	L5 max.	L8	⊙ 2
Mini											
LRB-1/4-D-...-K4-MINI	G1/8	4.3	20	35	47.3	~95.4	3	~68.9	3	17.5	17
LRB-3/8-D-...-K4-MINI											
Midi											
LRB-3/8-D-...-K4-MIDI	G1/4	5.3	32	49	62.3	~135.8	3	~100.3	5	31.2	36
LRB-1/2-D-...-K4-MIDI											

• • Note: This product conforms with the ISO 1179-1 standard and the ISO 228-1 standard.

Pressure regulator combinations LRB-K, D series, metal design

Technical data

Dimensions Download CAD data → www.festo.com

LRB-...-D-...-K5-...

1 Pressure gauge connection 4 Mounting bracket HRB-D-... 5 Mounting bracket HRBK-D-... → Flow direction, both directions possible

2 Connecting kit HRBC-D-...

Type	B1	B2	B3	B4	B5	B6	B7	B8	B9	B10	D1	D2	D3	D4
Mini														
LRB-1/4-D-...-K5-MINI	284	~272	40	80.7	59.2	2.5	5	7.3	108.5	146	G1/4	31	G1/4	M36x1.5
LRB-3/8-D-...-K5-MINI	290										G3/8			
Midi														
LRB-3/8-D-...-K5-MIDI	381	~366	55	99.9	70.6	3	5	8.3	146	186	G3/8	50	G3/8	M52x1.5
LRB-1/2-D-...-K5-MIDI							6				G1/2			

Type	D5	D6	H1	H2 ±0.2	H3	L1	L2	L4	L5 max.	L8	∅2
Mini											
LRB-1/4-D-...-K5-MINI	G1/8	4.3	20	35	47.3	~95.4	3	~68.9	3	17.5	17
LRB-3/8-D-...-K5-MINI											
Midi											
LRB-3/8-D-...-K5-MIDI	G1/4	5.3	32	49	62.3	~135.8	3	~100.3	5	31.2	36
LRB-1/2-D-...-K5-MIDI											

• Note: This product conforms with the ISO 1179-1 standard and the ISO 228-1 standard.

Pressure regulator combinations LRB-K, D series, metal design

FESTO

Technical data

Ordering data					
Connecting kit, connecting plate and mounting bracket					
Size	Connection	Pressure regulation range 0.5 ... 7 bar		Pressure regulation range 0.5 ... 12 bar	
		Part No.	Type	Part No.	Type
Manifold with 2 pressure regulators					
Mini	G $\frac{1}{4}$	528952	LRB- $\frac{1}{4}$ -D-7-O-K2-MINI	528954	LRB- $\frac{1}{4}$ -D-O-K2-MINI
	G $\frac{3}{8}$	528953	LRB- $\frac{3}{8}$ -D-7-O-K2-MINI	528955	LRB- $\frac{3}{8}$ -D-O-K2-MINI
Midi	G $\frac{3}{8}$	528956	LRB- $\frac{3}{8}$ -D-7-O-K2-MIDI	528958	LRB- $\frac{3}{8}$ -D-O-K2-MIDI
	G $\frac{1}{2}$	528957	LRB- $\frac{1}{2}$ -D-7-O-K2-MIDI	528959	LRB- $\frac{1}{2}$ -D-O-K2-MIDI
Manifold with 3 pressure regulators					
Mini	G $\frac{1}{4}$	528968	LRB- $\frac{1}{4}$ -D-7-O-K3-MINI	528970	LRB- $\frac{1}{4}$ -D-O-K3-MINI
	G $\frac{3}{8}$	528969	LRB- $\frac{3}{8}$ -D-7-O-K3-MINI	528971	LRB- $\frac{3}{8}$ -D-O-K3-MINI
Midi	G $\frac{3}{8}$	528972	LRB- $\frac{3}{8}$ -D-7-O-K3-MIDI	528974	LRB- $\frac{3}{8}$ -D-O-K3-MIDI
	G $\frac{1}{2}$	528973	LRB- $\frac{1}{2}$ -D-7-O-K3-MIDI	528975	LRB- $\frac{1}{2}$ -D-O-K3-MIDI
Manifold with 4 pressure regulators					
Mini	G $\frac{1}{4}$	528984	LRB- $\frac{1}{4}$ -D-7-O-K4-MINI	528986	LRB- $\frac{1}{4}$ -D-O-K4-MINI
	G $\frac{3}{8}$	528985	LRB- $\frac{3}{8}$ -D-7-O-K4-MINI	528987	LRB- $\frac{3}{8}$ -D-O-K4-MINI
Midi	G $\frac{3}{8}$	528988	LRB- $\frac{3}{8}$ -D-7-O-K4-MIDI	528990	LRB- $\frac{3}{8}$ -D-O-K4-MIDI
	G $\frac{1}{2}$	528989	LRB- $\frac{1}{2}$ -D-7-O-K4-MIDI	528991	LRB- $\frac{1}{2}$ -D-O-K4-MIDI
Manifold with 5 pressure regulators					
Mini	G $\frac{1}{4}$	529000	LRB- $\frac{1}{4}$ -D-7-O-K5-MINI	529002	LRB- $\frac{1}{4}$ -D-O-K5-MINI
	G $\frac{3}{8}$	529001	LRB- $\frac{3}{8}$ -D-7-O-K5-MINI	529003	LRB- $\frac{3}{8}$ -D-O-K5-MINI
Midi	G $\frac{3}{8}$	529004	LRB- $\frac{3}{8}$ -D-7-O-K5-MIDI	529006	LRB- $\frac{3}{8}$ -D-O-K5-MIDI
	G $\frac{1}{2}$	529005	LRB- $\frac{1}{2}$ -D-7-O-K5-MIDI	529007	LRB- $\frac{1}{2}$ -D-O-K5-MIDI

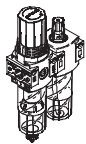
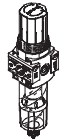
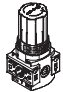
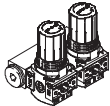
Pressure regulator combinations LRB-K, D series, metal design

Technical data

FESTO

Pressure regulators LR/LRB, D series, polymer

Product range overview D series service units, polymer

Type	Size	Pneumatic connection			Pressure regulation range [bar]	Grade of filtration [µm]		
		G1/8	G1/4	G1/2		5	40	
Service units								
FRC		Mini	■	■	-	■	■	■
Individual devices								
Filter regulators LFR		Mini	■	■	-	■	■	■
Pressure regulators LR		Mini	■	■	-	■	-	-
Pressure regulator combinations LRB-K		Mini	-	-	■	■	-	-

Pressure regulators LR/LRB, D series, polymer

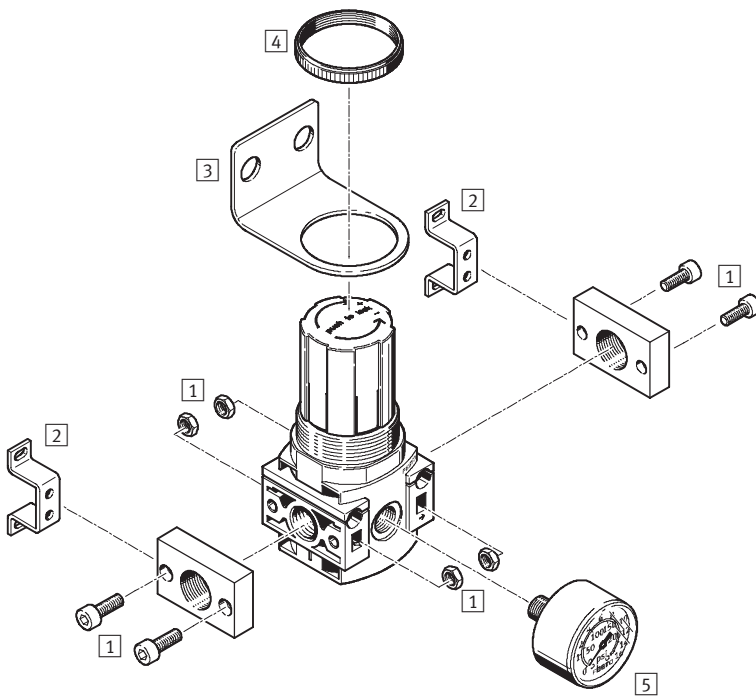
Product range overview D series service units, polymer

Type	Size	Condensate drain		Pressure display		Actuator lock	Regulating functions		→ Page/ Internet
		Manual rotary	Semi-automatic	With pressure gauge	Without pressure gauge		With secondary venting	With return flow function	
Service units									
FRC	Mini	■	■	■	-	■	■	■	frc
Individual devices									
Filter regulators LFR	Mini	■	■	■	■	■	■	■	lfr
Pressure regulators LR	Mini	-	-	■	■	■	■	■	40
Pressure regulator combinations LRB-K	Mini	-	-	-	■	■	■	■	45

Pressure regulators LR, D series, polymer

Peripherals overview

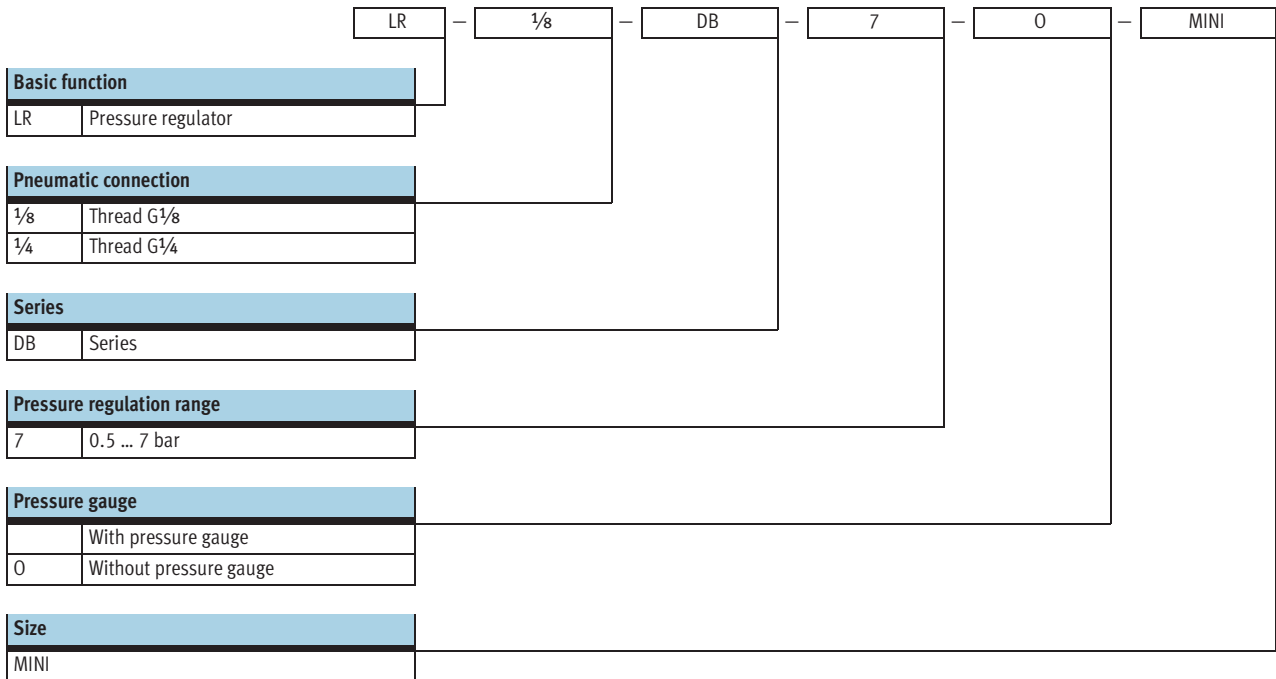
FESTO



Mounting attachments and accessories		→ Page/ Internet
1	Connecting plate kit PBL	pbl
2	Mounting bracket HFOE	hfoe-d
3	Mounting bracket HR-D	hr-d
4	Knurled nut (included in scope of delivery) LRVS	-
5	Pressure gauge MA	52

Pressure regulators LR, D series, polymer

Type codes

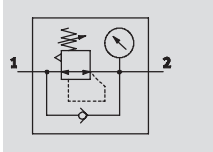


Pressure regulators LR, D series, polymer

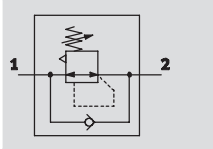
Technical data


FESTO


with pressure gauge




without pressure gauge



-  - Flow rate
800 ... 1300 l/min

-  - Temperature range
-5 ... +50 °C

-  - Input pressure
1.5 ... 10 bar



- Setting values are secured by locking the rotary knob
- High flow rate
- Good regulating characteristics with minimal pressure hysteresis

General technical data				
Size	Mini			
	With pressure gauge		Without pressure gauge	
Pneumatic connection	G $\frac{1}{8}$	G $\frac{1}{4}$	G $\frac{1}{8}$	G $\frac{1}{4}$
Operating medium	Compressed air			
Design	Pressure regulator with pressure gauge		Pressure regulator without pressure gauge	
Regulating function	With return flow function With secondary venting			
Type of mounting	Inline installation Via through-holes Via mounting bracket Front panel mounting			
Assembly position	Any			
Regulator lock	Rotary knob with detent			
Max. hysteresis [bar]	0.5			
Input pressure [bar]	1.5 ... 10			
Pressure regulation range [bar]	0.5 ... 7			
Pressure indication	Via pressure gauge		G $\frac{1}{8}$ prepared	
Pressure gauge connection	G $\frac{1}{8}$			

Standard nominal flow rate ¹⁾ qnN [l/min]		
Pneumatic connection	G $\frac{1}{8}$	G $\frac{1}{4}$
Mini		
Pressure regulation range 0.5 ... 7 bar	≥ 800	≥ 1300

1) Measured at p₁ = 10 bar, p₂ = 6 bar and Δp = 1 bar.

Pressure regulators LR, D series, polymer

Technical data

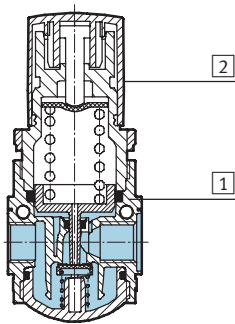
Ambient conditions		
Size		Mini
Ambient temperature	[°C]	-5 ... +50
Temperature of medium	[°C]	-5 ... +50
Corrosion resistance class	CRC ¹⁾	1

1) Corrosion resistance class 1 according to Festo standard 940 070
 Components requiring low corrosion resistance. Transport and storage protection. Parts that do not have primarily decorative surface requirements, e.g. in internal areas that are not visible or behind covers.

Weight [g]	
Size	Mini
Pressure regulator	150

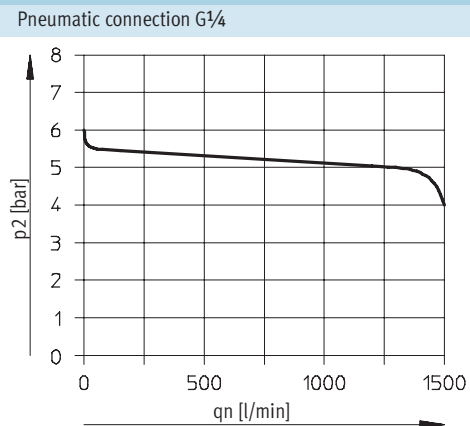
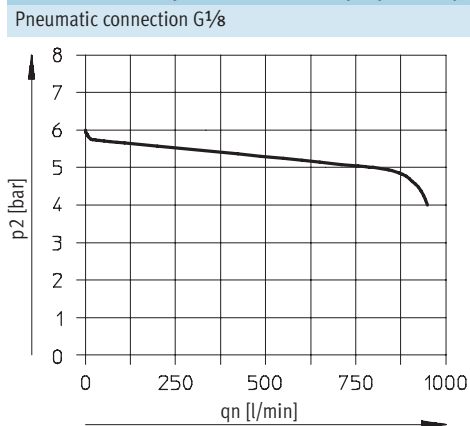
Materials

Sectional view



Pressure regulator	Mini
1) Housing	Polyamide, reinforced
2) Rotary knob	Polyacetate
- Seals	Nitrile rubber

Standard flow rate qn as a function of output pressure p2



Primary pressure p₁ = 10 bar

- - Note
 Slight leakage at the output has been taken into account in the design. It improves the control behaviour of the non pre-pressure compensated controller.
 In a few cases leakage may amount to 500 l/min.

Pressure regulators LR, D series, polymer

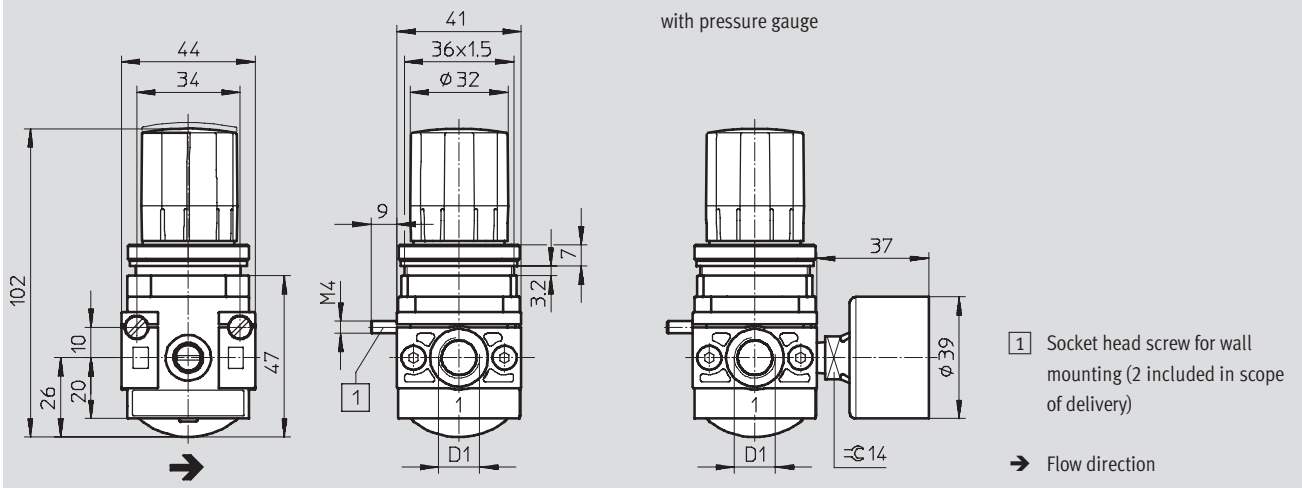
Technical data

FESTO

Dimensions

Download CAD data → www.festo.com

Mini



Type	D1
Mini	
LR-1/8-DB	G1/8
LR-1/4-DB	G1/4

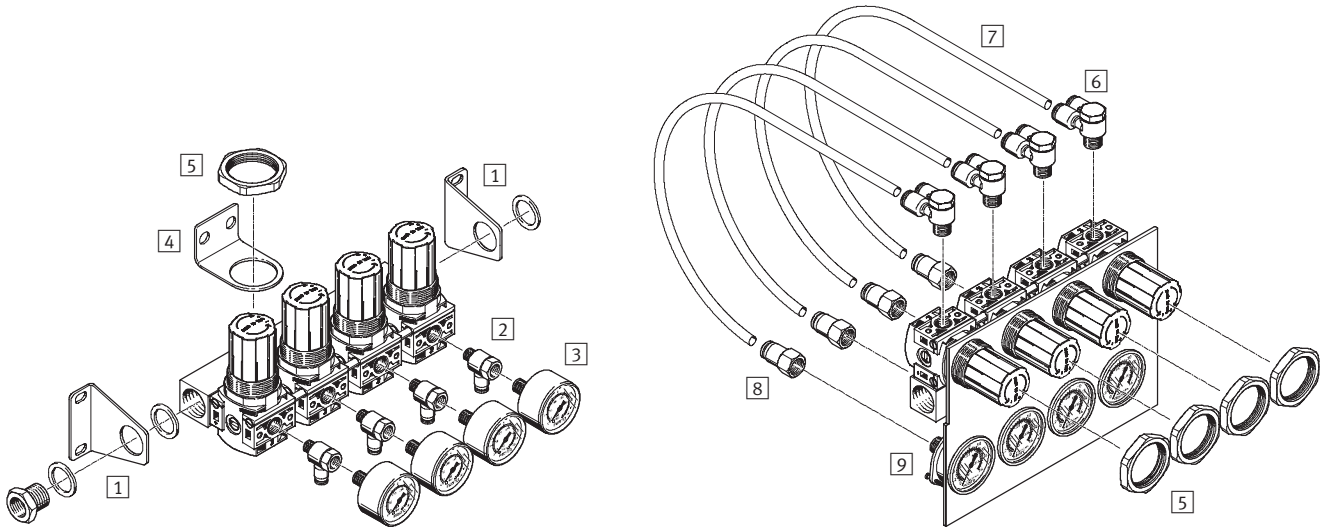
Ordering data

Size	Connection	Pressure regulation range 0.5 ... 7 bar	
		Part No.	Type
With pressure gauge			
Mini	G1/8	539681	LR-1/8-DB-7-MINI
	G1/4	539682	LR-1/4-DB-7-MINI
Without pressure gauge			
Mini	G1/8	537642	LR-1/8-DB-7-O-MINI
	G1/4	537643	LR-1/4-DB-7-O-MINI

Pressure regulator combinations LRB-K, D series, polymer

Peripherals overview

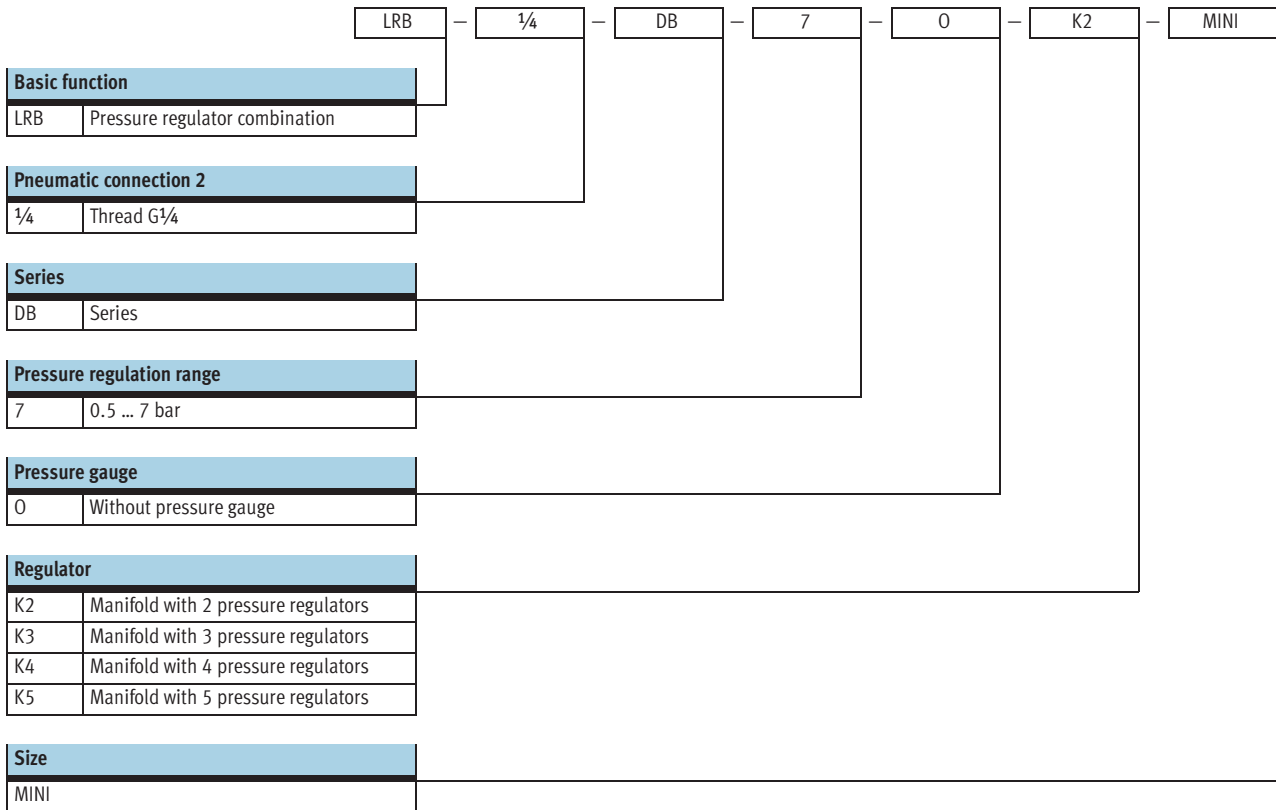
Mini
 With mounting bracket Front panel mounting



Mounting attachments and accessories		With mounting bracket	Front panel mounting	→ Page/ Internet
1	Mounting bracket kit HRBS-DB-MINI	■	-	hrbs-db
2	Push-in T-fitting QSTF	■	-	52
3	Pressure gauge MA	■	-	52
4	Mounting bracket HR-D	■	-	hr-d
5	Hex nut HMR	■	■	hmr-d
6	Push-in Y-fitting QSYLV	-	■	52
7	Plastic tubing PUN-E	-	■	pun-e
8	Push-in fitting QSF	-	■	52
9	Flanged pressure gauge FMA	-	■	52

Pressure regulator combinations LRB-K, D series, polymer

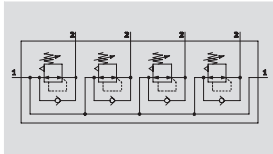
Type codes



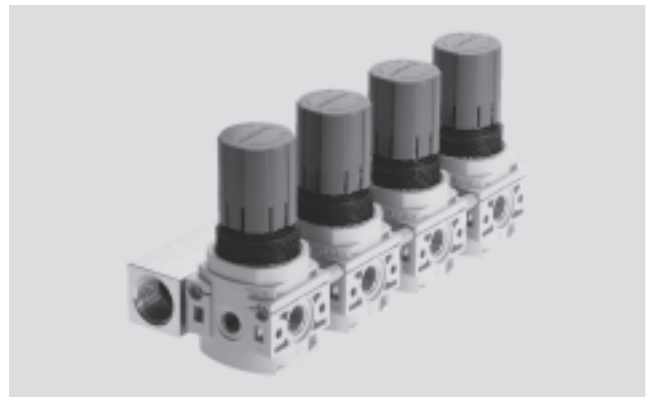
Pressure regulator combinations LRB-K, D series, polymer

Technical data

Function



- Flow rate
1000 l/min
- Temperature range
-5 ... +50 °C
- Input pressure
1.5 ... 10 bar



- Good control characteristics with low hysteresis and primary pressure compensation
- Manifold assembly with through air supply
- For the configuration of a regulator manifold with independent pressure ranges
- Setting values are secured by locking the rotary knob

General technical data	
Size	Mini
Pneumatic connection 1	G½
Pneumatic connection 2	G¼
Operating medium	Compressed air
Regulating functions	Output pressure constant
	With return flow function
	With secondary venting
Design	Directly actuated piston regulator
	On P-manifold
Type of mounting	Front panel mounting
	Via accessories
Assembly position	Any
Regulator lock	Rotary knob with detent
Max. hysteresis [bar]	0.5
Input pressure [bar]	1.5 ... 10
Pressure regulation range [bar]	0.5 ... 7

Standard nominal flow rate ¹⁾ qnN [l/min]	
Size	Mini
Pressure regulation range 0.5 ... 7 bar	≥ 1000

1) Measured at p1 = 10 bar, p2 = 6 bar and Δp = 1 bar.

Ambient conditions	
Ambient temperature [°C]	-5 ... +50
Temperature of medium [°C]	-5 ... +50
Corrosion resistance class CRC ¹⁾	1

1) Corrosion resistance class 1 according to Festo standard 940 070
Components requiring low corrosion resistance. Transport and storage protection. Parts that do not have primarily decorative surface requirements, e.g. in internal areas that are not visible or behind covers.

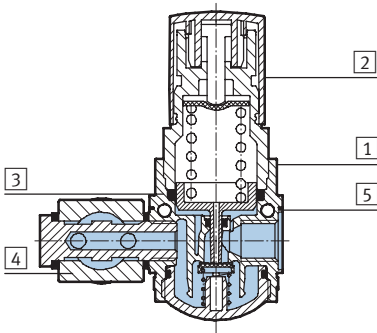
Pressure regulator combinations LRB-K, D series, polymer

Technical data

Weight [g]	
Size	Mini
Manifold with 2 pressure regulators	
LRB-...-K2	500
Manifold with 3 pressure regulators	
LRB-...-K3	750
Manifold with 4 pressure regulators	
LRB-...-K4	1000
Manifold with 5 pressure regulators	
LRB-...-K5	1250

Materials

Sectional view



Pressure regulator	Mini
1 Housing	Polyamide, reinforced
2 Rotary knob	Polyacetate
3 Sealing ring	Polyvinyl chloride
4 Manifold strip	Wrought aluminium alloy
5 Spacing bolt	Wrought aluminium alloy
- Seals	Nitrile rubber

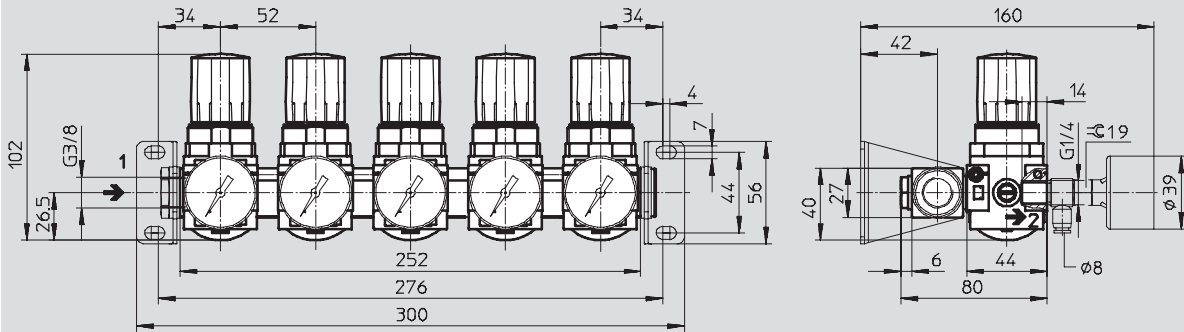
Pressure regulator combinations LRB-K, D series, polymer

Technical data

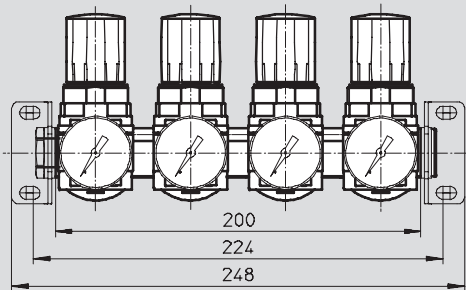
Dimensions Download CAD data → www.festo.com

With mounting bracket

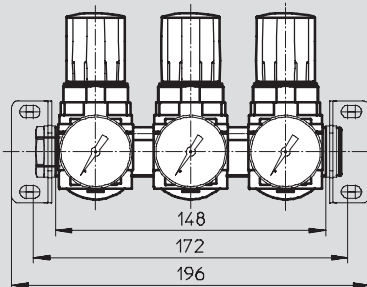
LRB-...-K5



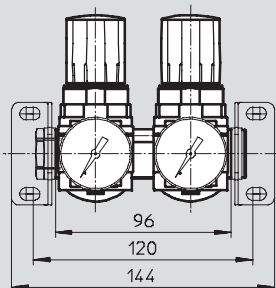
LRB-...-K4



LRB-...-K3



LRB-...-K2



→ Flow direction

Pressure regulator combinations LRB-K, D series, polymer

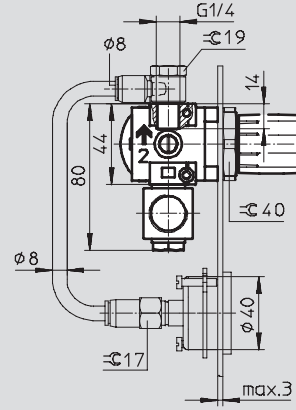
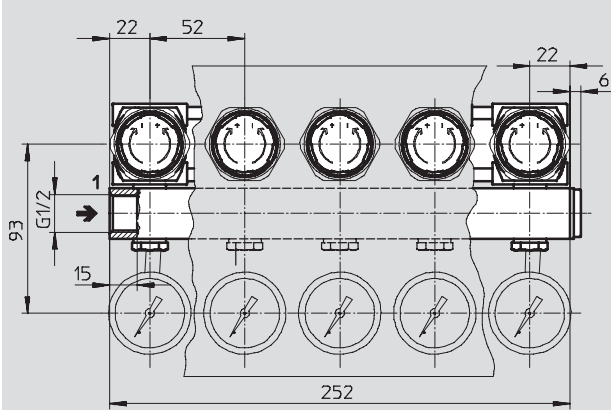
Technical data

Dimensions

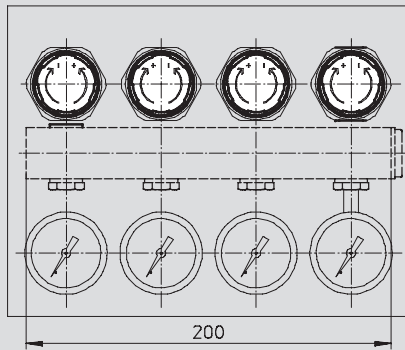
Download CAD data → www.festo.com

Front panel mounting

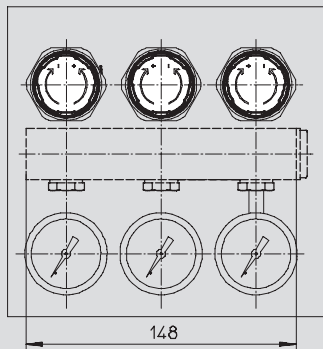
LRB-...-K5



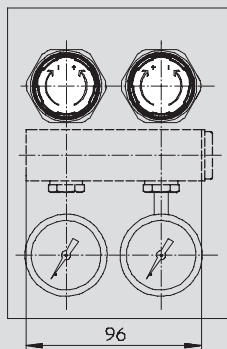
LRB-...-K4



LRB-...-K3



LRB-...-K2



→ Flow direction

Pressure regulator combinations LRB-K, D series, polymer


Technical data

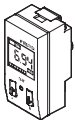
Ordering data			
Size	Connection	Pressure regulation range 0.5 ... 7 bar	
		Part No.	Type
Manifold with 2 pressure regulators			
Mini	G $\frac{1}{4}$	540040	LRB- $\frac{1}{4}$ -DB-7-O-K2-MINI
Manifold with 3 pressure regulators			
Mini	G $\frac{1}{4}$	540041	LRB- $\frac{1}{4}$ -DB-7-O-K3-MINI
Manifold with 4 pressure regulators			
Mini	G $\frac{1}{4}$	540042	LRB- $\frac{1}{4}$ -DB-7-O-K4-MINI
Manifold with 5 pressure regulators			
Mini	G $\frac{1}{4}$	540043	LRB- $\frac{1}{4}$ -DB-7-O-K5-MINI


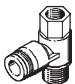
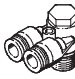
Pressure regulators LR/LRS/LRB/LRBS, D series

Accessories

FESTO

Ordering data – Pressure gauge MA						
	Nominal size	Pneumatic connection	Indicating range		Part No.	Type
			[bar]	[psi]		
	Pressure gauge MA					Technical data → Internet: ma
	27	M5	0 ... 10	–	526323	MA-27-10-M5
	40	G1/8	0 ... 10	0 ... 145	359874	MA-40-10-1/4
			0 ... 16	0 ... 232	345395	MA-40-16-1/4
	50	G1/4	0 ... 10	0 ... 145	359873	MA-50-10-1/4
			0 ... 16	0 ... 232	356759	MA-50-16-1/4
	Pressure gauge MA, DIN EN 837-1					Technical data → Internet: ma
	40	R1/8	0 ... 10	0 ... 145	162835	MA-40-10-1/8-EN
		G1/4	0 ... 10	0 ... 145	183900	MA-40-10-G1/4-EN
	Flanged pressure gauge FMA, DIN EN 837-1					Technical data → Internet: fma
40	G1/4	0 ... 10	0 ... 145	159596	FMA-40-10-1/4-EN	
		0 ... 16	0 ... 232	159597	FMA-40-16-1/4-EN	
50	G1/4	0 ... 10	0 ... 145	159599	FMA-50-10-1/4-EN	
		0 ... 16	0 ... 232	159600	FMA-50-16-1/4-EN	

Ordering data – Pressure sensor SDE1						Technical data → Internet: sde1
	Pneumatic connection	Electrical output	Electrical connection	Display	Part No.	Type
Pressure sensor SDE1 for direct mounting on the service unit with pressure gauge connection (adapter for pneumatic connection included in scope of delivery), pressure measuring range 0 ... 10 bar, relative pressure measurement						
	Male thread R1/8	1 switch output PNP	M8x1, 3-pin	LCD	192026	SDE1-D10-G2-R18-C-P1-M8
		2 switch outputs PNP	M8x1, 4-pin	LCD	192027	SDE1-D10-G2-R18-C-P2-M8
	Male thread R1/4	1 switch output PNP	M8x1, 3-pin	LCD	192028	SDE1-D10-G2-R14-C-P1-M8
		2 switch outputs PNP	M8x1, 4-pin	LCD	192029	SDE1-D10-G2-R14-C-P2-M8

Ordering data – Push-in fitting						
	Pneumatic connection	Tubing O.D.	Part No.	Type	PU ¹⁾	
Push-in fitting QSF, female thread with external hex						
	G1/4	8	153026	QSF-1/4-8-B	10	
Push-in T-fitting QSTF, 360° rotatable, with male and female thread						
	G1/4	8	186203	QSTF-G1/4-8	1	
Push-in Y-fitting QSYLV, 360° rotatable, male thread with external hex						
	G1/4	8	186210	QSYLV-G1/4-8	1	

1) Packaging unit quantity