

Accessories, D series

FESTO



Accessories, D series

Mounting attachments



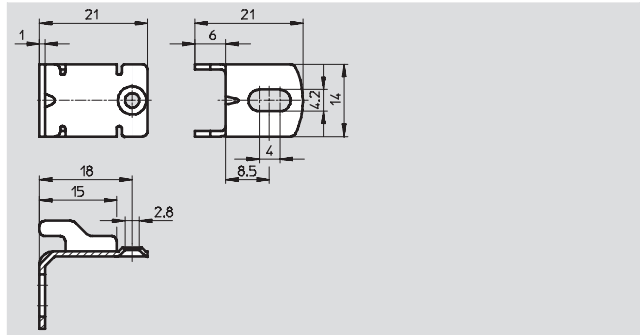
Mounting bracket HFOE-D

Micro size

- For wall mounting

Material:

Galvanised steel



Ordering data			
Size	Part No.	Type	
Micro	526 317	HFOE-D-MICRO	

Mounting bracket HFOE-D

Mini/Midi/Maxi size

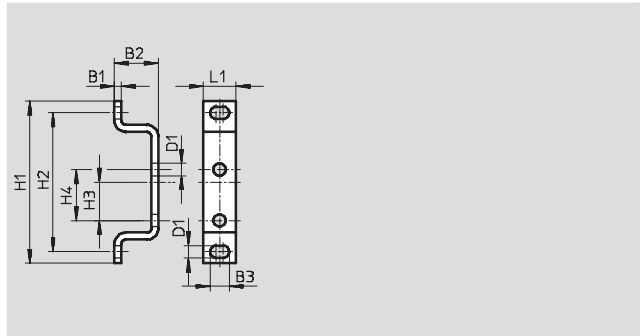
- For wall mounting

Material:

Galvanised steel

Note on material:

Free of copper and PTFE



Dimensions and ordering data												
Size	B1	B2	B3	D1	H1	H2	H3	H4	L1	CRC ¹⁾	Part No.	Type
Mini	2	19	7.3	4.3	43	35	5.5	11	12	2	159 638	HFOE-D-MINI
Midi/Maxi	3	19	8.3	5.3	70	60	16.5	22	14	2	159 593	HFOE-D-MIDI/MAXI

1) Corrosion resistance class 2 as per Festo standard 940 070

Components subject to moderate corrosion stress. Externally visible parts with primarily decorative surface requirements which are in direct contact with a normal industrial environment or media such as coolants or lubricating agents.

Mounting bracket set HRBS-DB

- For wall mounting

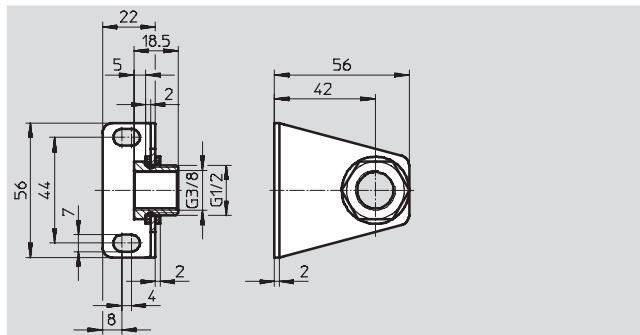
Material

Hollow bolt, bracket: Galvanised steel

Sealing ring: Polyvinyl chloride

Note on material:

Free of copper and PTFE



Dimensions and ordering data					
Size	Pneumatic connection	CRC ¹⁾	Weight [g]	Part No.	Type
Mini	G $\frac{3}{8}$	2	150	540 791	HRBS-DB-MINI

1) Corrosion resistance class 2 as per Festo standard 940 070

Components subject to moderate corrosion stress. Externally visible parts with primarily decorative surface requirements which are in direct contact with a normal industrial environment or media such as coolants or lubricating agents.

Accessories, D series

Mounting attachments

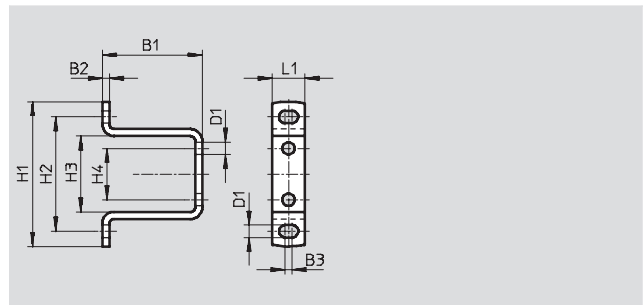
FESTO

Mounting bracket HRB-D

- For wall mounting
- For pressure regulators LRB/LRBS

Material:

Galvanised steel



Dimensions and ordering data

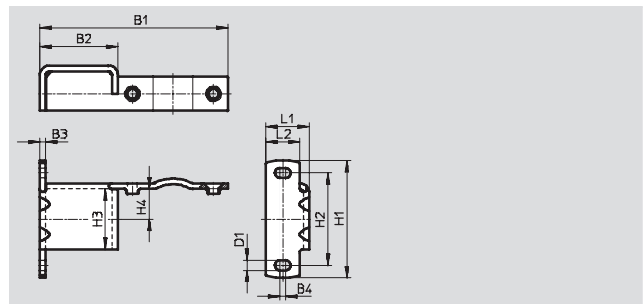
Size	B1	B2	B3	D1 Ø	H1	H2	H3	H4	L1	Part No.	Type
Mini	38.5	2.5	3	4.3	47.3	35	20	11	12	525 029	HRB-D-MINI
Midi	42.7	3	3	5.3	62.3	49	32.5	22	14	525 030	HRB-D-MIDI

Mounting bracket HRBK-D

- For wall mounting
- For pressure regulators LRB/LRBS

Material:

Galvanised steel



Dimensions and ordering data

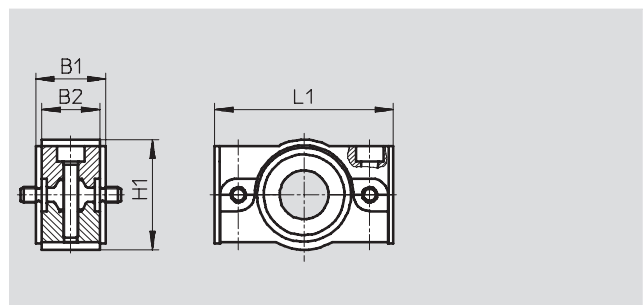
Size	B1	B2	B3	B4	D1 Ø	H1	H2	H3	H4	L1	L2	Part No.	Type
Mini	80.5	37.5	2.5	3	4.3	47.3	35	20	10	18.5	14	525 031	HRBK-D-MINI
Midi	99.8	41.3	3	3	5.3	62.3	49	32	16	23	18	525 032	HRBK-D-MIDI

Connecting kit HRBC-D

- For pressure regulators LRB/LRBS

Material:

Die-cast zinc



Dimensions and ordering data

Size	B1	B2	H1	L1	Weight [g]	Part No.	Type
Mini	17.4	14.8	20	43	65	529 022	HRBC-D-MINI
Midi	23	18.6	38	58.5	188	529 023	HRBC-D-MIDI

Accessories, D series

Mounting attachments

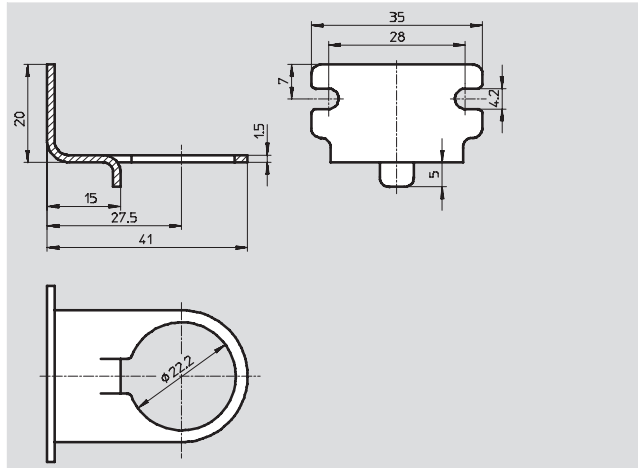
FESTO

Mounting bracket HRS-D

- For wall mounting

Material:

Galvanised steel



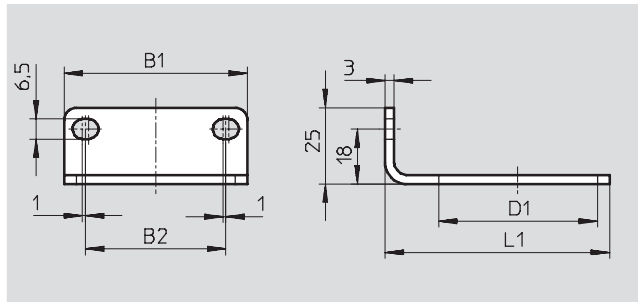
Ordering data		
Size	Part No.	Type
Micro	526 316	HRS-D-MICRO

Mounting bracket HR-D

- For wall mounting

Material:

Galvanised steel



Dimensions and ordering data						
Size	B1	B2	D1	L1	CRC ¹⁾	Part No. Type
Mini	42	28	36	57.5	2	164 936 HR-D-MINI
Midi	60	46	52	73.5	2	162 804 HR-D-MIDI
Maxi	64	51	36	82	2	162 805 HR-D-MAXI
DI	64	51	52	82	2	193 802 HR-D-DI-MAXI

1) Corrosion resistance class 2 as per Festo standard 940 070

Components subject to moderate corrosion stress. Externally visible parts with primarily decorative surface requirements which are in direct contact with a normal industrial environment or media such as coolants or lubricating agents.

Accessories, D series

Mounting attachments

FESTO

Hex nut HMR-D

- For filter regulators LFR and pressure regulators LR

Material:

Wrought aluminium alloy



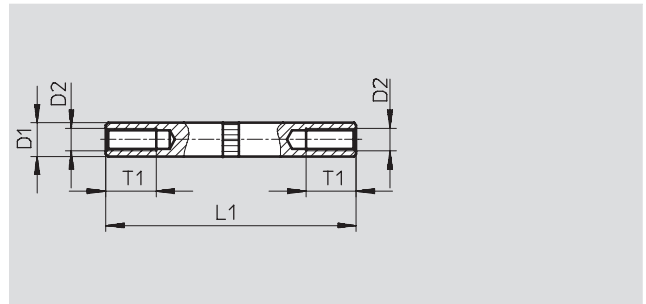
Ordering data		
Size	Part No.	Type
Micro	526 816	HMR-D-MICRO
Mini/Maxi	530 025	HMR-D-MINI/MAXI
Midi	530 026	HMR-D-MIDI

Threaded pin HSB-D

- For individual devices with connecting plates

Material:

High-alloy steel



Dimensions and ordering data					
Size	D1 ∅	D2	L1	T1 min.	Part No. Type
Mini	6.5	M4	39.7	10	531 057 HSB-D-MINI
Midi	7.5	M5	54.7	11	531 058 HSB-D-MIDI

Threaded pin FRB-D

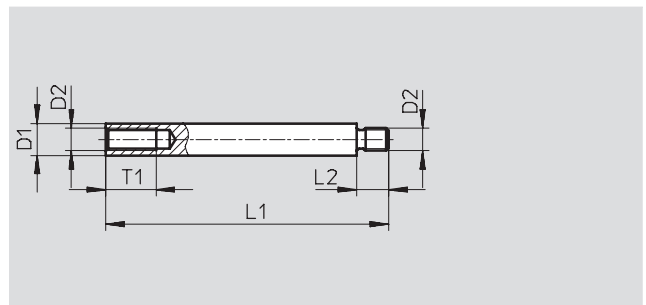
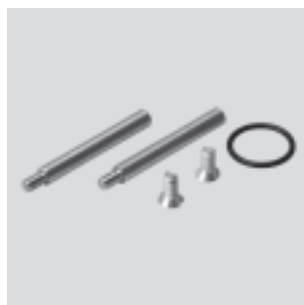
- For service unit combinations

Material:

High-alloy steel

Note on material Mini/Midi/Maxi:

Free of copper and PTFE



Dimensions and ordering data							
Size	D1 ∅	D2	L1	L2	T1 min.	CRC ¹⁾	Part No. Type
Micro	3.5	M2.5	28.4	4	6	–	526 817 FRB-D-MICRO
Mini	6	M4	45.8	6	10	2	159 642 FRB-D-MINI
Midi	7	M5	61.8	7	11	2	159 595 FRB-D-MIDI
Maxi	7	M5	72.8	7	11	2	159 643 FRB-D-MAXI

1) Corrosion resistance class 2 as per Festo standard 940 070

Components subject to moderate corrosion stress. Externally visible parts with primarily decorative surface requirements which are in direct contact with a normal industrial environment or media such as coolants or lubricating agents.

Accessories, D series

Mounting attachments

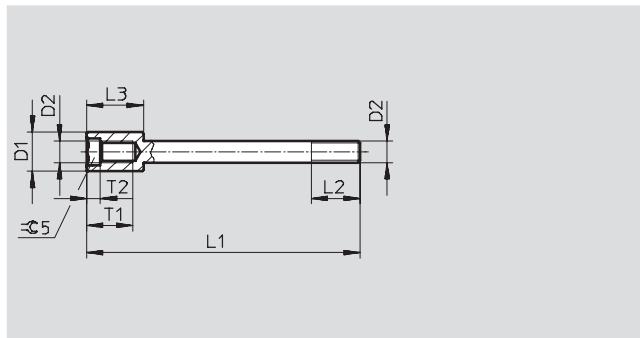
FESTO

Threaded pin FRB-DB

- Substitute for socket head screws in the lubricator of the service unit FRC-DB for attachment of another service unit

Material:
Steel

Note on material:
Free of copper and PTFE



Dimensions and ordering data										
Size	D1 ∅	D2	L1	L2 min.	L3	T1	T2	CRC ¹⁾	Part No.	Type
Mini	7.2	M4	50.5	9	10.5	8.5	2.5	1	542 187	FRB-DB-MINI

1) Corrosion resistance class 1 as per Festo standard 940 070
Components requiring low corrosion resistance. Transport and storage protection. Parts that do not have primarily decorative surface requirements, e.g. in internal areas that are not visible or behind covers.

Nut assortment M4-DB

- For service unit combinations

Material:
Galvanised steel

Note on material:
Free of copper and PTFE



Ordering data			
Size	CRC ¹⁾	Part No.	Type
Mini	1	542 790	M4-DB-MINI

1) Corrosion resistance class 1 as per Festo standard 940 070
Components requiring low corrosion resistance. Transport and storage protection. Parts that do not have primarily decorative surface requirements, e.g. in internal areas that are not visible or behind covers.

Accessories, D series

Connecting plates

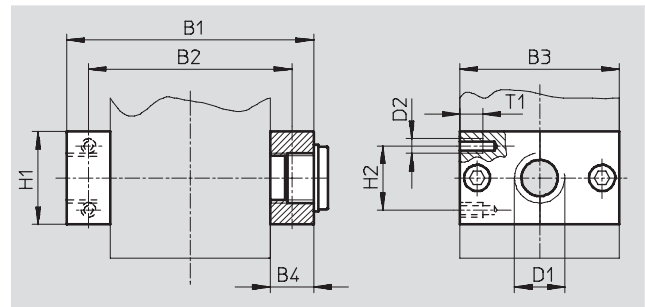
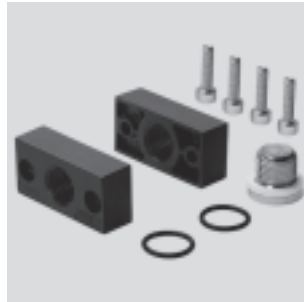
FESTO

Connecting plates LRBAS-D

- For pressure regulators LRB/LRBS

Material:

Die-cast zinc



Dimensions and ordering data												
Size	Connection	B1	B2	B3	B4	D1	D2	H1	H2	T1 max.	Part No.	Type
Mini	G $\frac{1}{4}$	64	52	40	12	G $\frac{1}{4}$	M4	20	11	7	525 033	LRBAS- $\frac{1}{4}$ -D-MINI
	G $\frac{3}{8}$	70	52	40	15	G $\frac{3}{8}$	M4	23	11	7	525 034	LRBAS- $\frac{3}{8}$ -D-MINI
Midi	G $\frac{3}{8}$	85	70	55	15	G $\frac{3}{8}$	M5	32	22	8	525 035	LRBAS- $\frac{3}{8}$ -D-MIDI
	G $\frac{1}{2}$	85	70	55	15	G $\frac{1}{2}$	M5	32	22	8	525 036	LRBAS- $\frac{1}{2}$ -D-MIDI

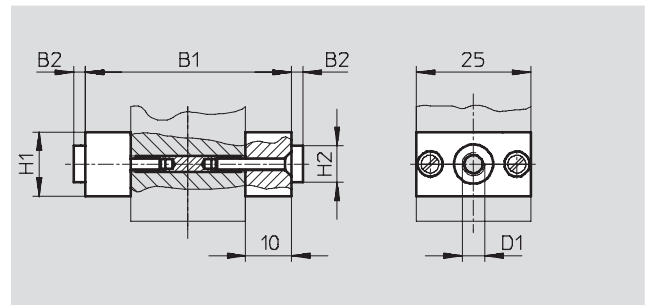
Note: This product conforms with the ISO 1179-1 standard and the ISO 228-1 standard.

Connecting plate kit PBL-D

- For service units FRC, filter regulators LFR, filters LF, pressure regulators LR and lubricators LOE

Material:

Wrought aluminium alloy



Dimensions and ordering data								
Size	Connection	B1	B2	D1	H1	H2	Part No.	Type
Micro	G $\frac{1}{8}$	45	–	M5	10	–	526 318	PBL- $\frac{1}{8}$ -D-MICRO
	QS4	45	2.5	QS4	10	8	526 321	PBL-QS4-D-MICRO
	QS6	45	2.5	QS6	10	10	526 322	PBL-QS6-D-MICRO

Accessories, D series

Connecting plates

FESTO

Connecting plate kit PBL-DB

- For wall mounting
- For establishing a pneumatic connection G $\frac{3}{8}$

Material:

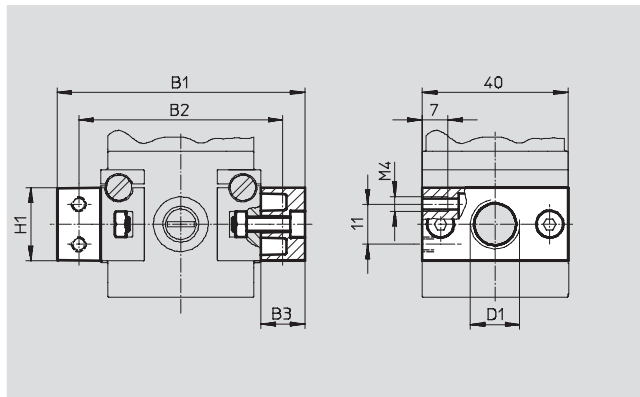
Connecting plate: Die-cast zinc

Nut, screws: Galvanised steel

Seals: Nitrile rubber

Note on material:

Free of copper and PTFE



Dimensions and ordering data							
Size	B1	B2	B3	D1	H1	CRC ¹⁾	Part No. Type
Mini	68	56	12	G $\frac{1}{8}$	20	1	542 787 PBL- $\frac{1}{8}$ -DB-MINI
	68	56	12	G $\frac{1}{4}$	20		542 788 PBL- $\frac{1}{4}$ -DB-MINI
	74	56	15	G $\frac{3}{8}$	23		542 789 PBL- $\frac{3}{8}$ -DB-MINI

1) Corrosion resistance class 1 as per Festo standard 940 070

Components requiring low corrosion resistance. Transport and storage protection. Parts that do not have primarily decorative surface requirements, e.g. in internal areas that are not visible or behind covers.

Accessories, D series

Security components

Regulator lock LRVS

Locking device to prevent unauthorised alteration of the set pressure of pressure and filter regulators.

Material:

Cap: Polyacetal

Lock plate: Steel

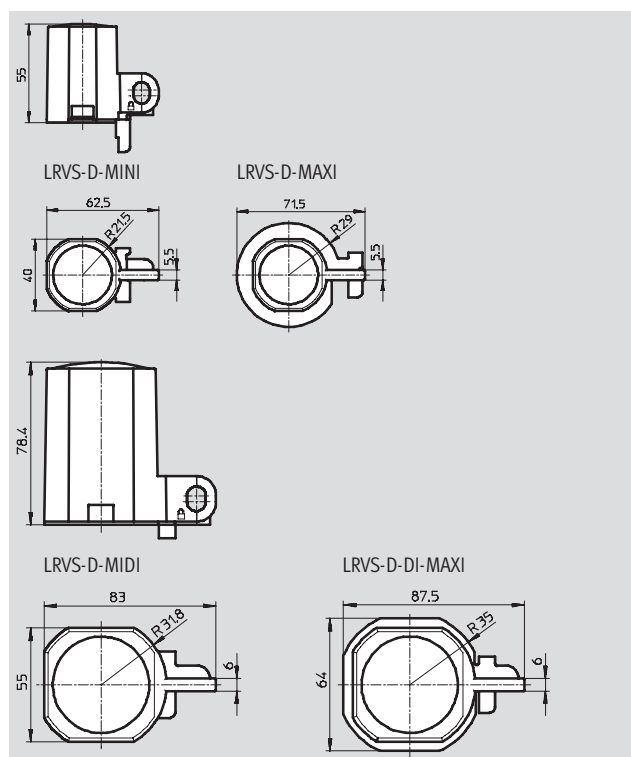
Knurled nut: Aluminium

Note on material:

Free of copper and PTFE

Ambient temperature:

-20 ... +60 °C



Ordering data		Part No.	Type
Size	Weight [g]		
Mini	40	193 781	LRVS-D-MINI
Midi	60	193 782	LRVS-D-MIDI
Maxi	56	193 783	LRVS-D-MAXI
DI	36	193 784	LRVS-D-DI-MAXI

Padlock LRVS-D

Material:

Housing: Brass

Ambient temperature:

-20 ... +60 °C



Ordering data		Part No.	Type
Size	Weight [g]		
Mini/Midi/Maxi	120	193 786	LRVS-D