

Adding counters CCES

Technical data

Function:

The electric adding counter CCES can be used in combination with a proximity sensor to count the number of switching cycles performed by a cylinder.

Recommended proximity sensors
SME/SMT → 2

Features:

- 8-digit LCD display
- Own power supply
- Designed for front panel mounting
- Connection via terminal strip
- Reset button



General technical data		
Constructional design		Electric adding counter with battery
Type of mounting		Front panel mounting
Power supply		Lithium battery (nominal value retention 7 years)
Display		8-digit
Reset method		Pushbutton or electric signal
Min. pulse length for drive	[ms]	15
Min. pulse length for reset	[ms]	15
Product weight	[g]	30
Electrical data		
Lower threshold value	[V DC]	< 0.7
Upper threshold value	[V DC]	5 ... 30
Clock pulse input		Programmable
Clock pulse input setting		Negative edge 30 Hz
Max. counting rate	[kHz]	7.5
Max. attenuated counting rate	[Hz]	30
Materials		
Housing		Polycarbonate
Note on materials		RoHS-compliant
Operating and environmental conditions		
Ambient temperature	[°C]	-10 ... +50
Corrosion resistance class CRC ¹⁾		2

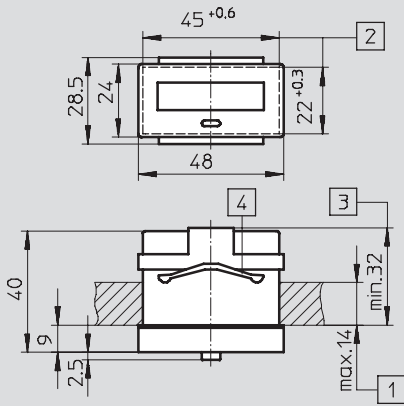
1) Corrosion resistance class 2 as per Festo standard 940 070
Components subject to moderate corrosion stress. Externally visible parts with primarily decorative surface requirements which are in direct contact with a normal industrial environment or media such as coolants or lubricating agents.

Adding counters CCES

Technical data

Dimensions

Download CAD data → www.festo.com



 Note

Terminal cross section: max. 1 mm²,
min. 0.13 mm²

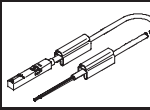
- 1 Front panel
- 2 Detailed drawing of the front panel
- 3 Installation depth
- 4 Clamping frame

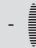
Ordering data

	Part No.	Type
Adding counter	549 403	CCES-P-C8-E

Ordering data – Proximity sensor SME/SMT

Technical data → Internet: sme-8m, smt-8m

	Switching element function	Switch output	Electrical connection	Cable length [m]	Part No.	Type
	N/O contact	Contacting, bipolar	Cable, 3-wire	2.5	543 862	SME-8M-DS-24V-K-2,5-OE
		PNP	Cable, 3-wire	2.5	543 867	SMT-8M-PS-24V-K-2,5-OE

 Note

Please note the following points:

- The abovementioned proximity sensor SME can be connected to the adding counter as a 2-wire switch without additional power supply.
- If using other proximity sensors, an additional power supply is needed
- and the clock pulse input of the adding counter must be reprogrammed from NPN to PNP.
- Screened cables must be used for cables longer than 3 m.
- The maximum permissible cable length is 30 m.