

Air reservoirs

FESTO



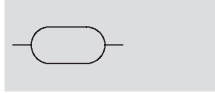
Air reservoirs CRVZS

Technical data

FESTO

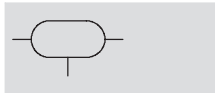
Function


CRVZS-0.1/0.4/0.75/2




CRVZS-5/10/20

with condensate drain



-  - Temperature range
-10 ... +100 °C

-  - Operating pressure
-0.95 ... 16 bar



- The reservoirs can be used to compensate pressure fluctuations, and act as accumulators in the event of sudden air consumption
- They can also be used to provide large quantities of compressed air for supplying fast pulsing drives
- Time delays for pressure build-up can be achieved in combination with flow control valves

Technical data							
Type	CRVZS-0.1	CRVZS-0.4	CRVZS-0.75	CRVZS-2	CRVZS-5	CRVZS-10	CRVZS-20
Pneumatic connection	G $\frac{1}{8}$	G $\frac{1}{4}$		G $\frac{1}{2}$	G1		
Condensate drain connection	-				G $\frac{3}{8}$		
Type of mounting	Retaining clips			Via through-holes			
Installation position	Any				Condensate drain downwards		
Volume [l]	0.1	0.4	0.75	2	5	10	20
Weight [g]	226	543	736	1,681	3,581	6,459	10,208

-  - Note: This product conforms with the ISO 1179-1 standard and the ISO 228-1 standard.

Operating and environmental conditions							
Type	CRVZS-0.1	CRVZS-0.4	CRVZS-0.75	CRVZS-2	CRVZS-5	CRVZS-10	CRVZS-20
Operating pressure [bar]	-0.95 ... +16						
Operating medium	Compressed air						
	Nitrogen						
Ambient temperature [°C]	-10 ... +100 (observe operating range of tubing and pipe)						
Temperature of medium [°C]	-10 ... +100 (observe operating range of tubing and pipe)						
Corrosion resistance class CRC ¹⁾	3						
Conforms to	AD 2000						
CE symbol (see declaration of conformity)	-				In accordance with EU Pressure Equipment Directive		
Food industry approval	DIN EN ISO 14159						
Approval	German Technical Control Board (TÜV)						

1) Corrosion resistance class 3 according to Festo standard 940 070

Components requiring higher corrosion resistance. External visible parts in direct contact with industrial atmospheres or media such as solvents and cleaning agents, with a predominantly functional requirement for the surface

Materials							
Type	CRVZS-0.1	CRVZS-0.4	CRVZS-0.75	CRVZS-2	CRVZS-5	CRVZS-10	CRVZS-20
Air reservoir	High-alloy stainless steel						
Retaining clips	High-alloy stainless steel			-			
Note on materials	Free of copper and PTFE						
	Conforms to RoHS						

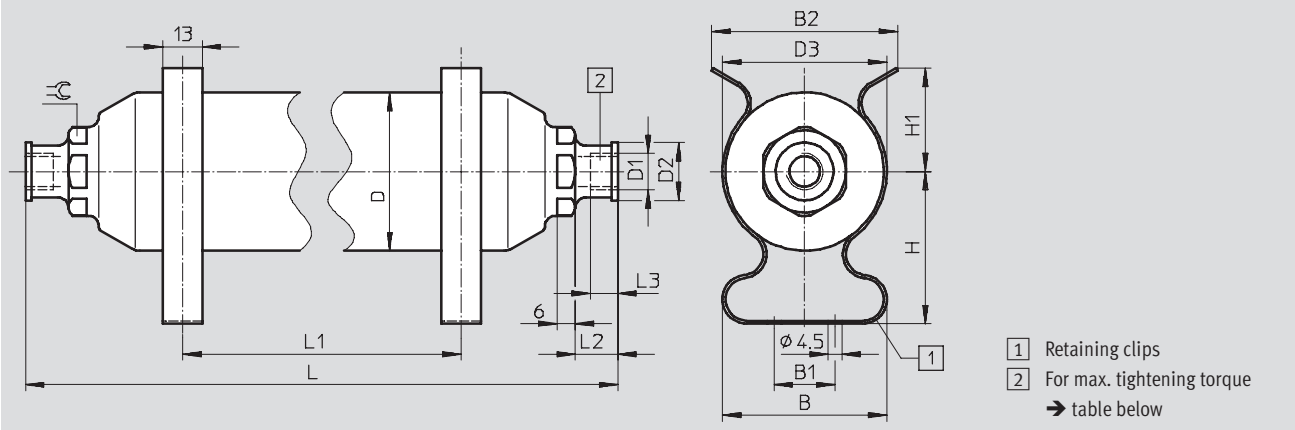
Air reservoirs CRVZS

Technical data

Dimensions

Download CAD data → www.festo.com

CRVZS-0.1/CRVZS-0.4/CRVZS-0.75



Type	B ±2	B1	B2 ±2	D ∅	D1	D2 ∅	D3 ∅	H ±1	H1 ±1
CRVZS-0.1	51	14	-	40	G1/8	15	42	43	28
CRVZS-0.4	54	14	-	52	G1/4	19	54	50	34
CRVZS-0.75	60	20	79	70	G1/4	19	72	61	34

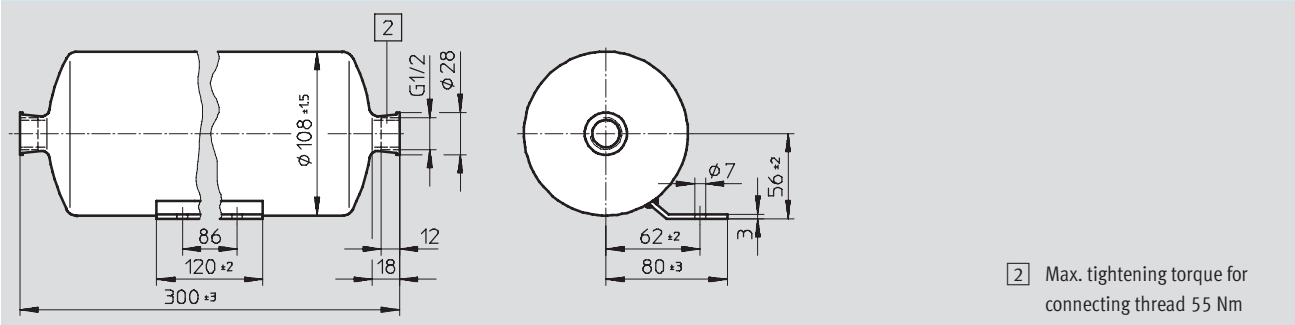
Type	L ±1	L1		L2	L3	≡C	Max. tightening torque for connecting thread [Nm]
		min.	max.				
CRVZS-0.1	132	13	50	10	6	19	15
CRVZS-0.4	240	13	150	14	9	27	23
CRVZS-0.75	248	13	140	14	9	27	23

Note: This product conforms with the ISO 1179-1 standard and the ISO 228-1 standard.

Dimensions

Download CAD data → www.festo.com

CRVZS-2



Note: This product conforms with the ISO 1179-1 standard and the ISO 228-1 standard.

Air reservoirs CRVZS

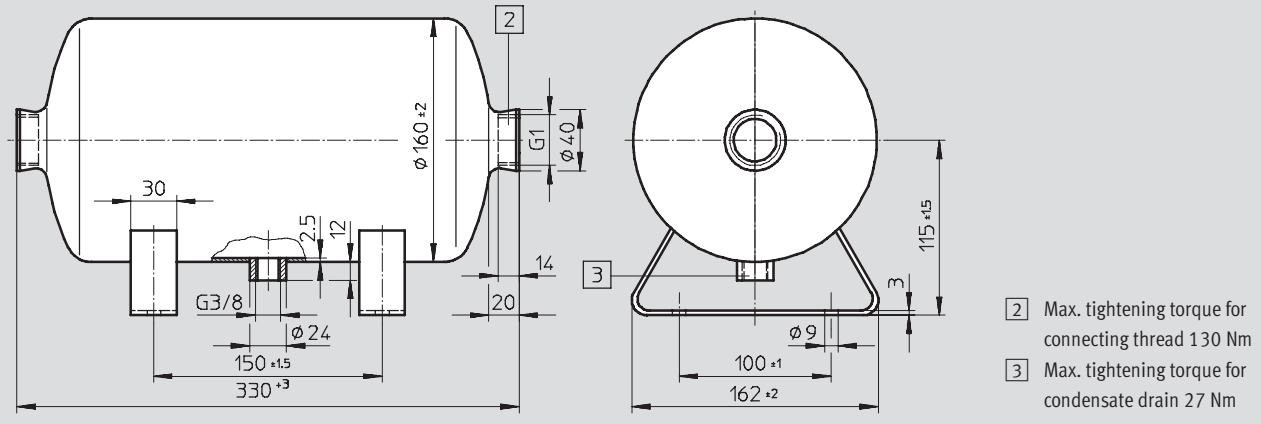
Technical data

FESTO

Dimensions

Download CAD data → www.festo.com

CRVZS-5

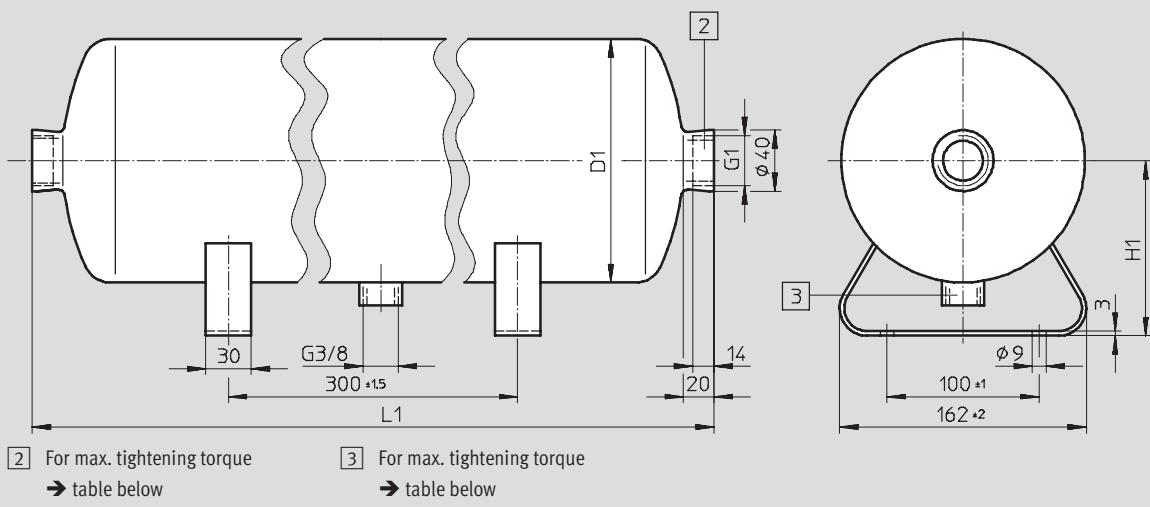


Note: This product conforms with the ISO 1179-1 standard and the ISO 228-1 standard.

Dimensions

Download CAD data → www.festo.com

CRVZS-10/CRVZS-20



Type	D1 ± 2	H1 ± 1.5	L1 ± 3	Max. tightening torque	
				Connecting thread [Nm]	Condensate drain [Nm]
CRVZS-10	160	115	558	130	27
CRVZS-20	194	136	740	130	27

Note: This product conforms with the ISO 1179-1 standard and the ISO 228-1 standard.

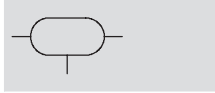
Ordering data

Volume [l]	Part No.	Type	Volume [l]	Part No.	Type
0.1	160233	CRVZS-0.1	5	192159	CRVZS-5
0.4	160234	CRVZS-0.4	10	160237	CRVZS-10
0.75	160235	CRVZS-0.75	20	534845	CRVZS-20
2	160236	CRVZS-2			

Air reservoirs VZS

Technical data

Function
with condensate drain



- - Temperature range
-10 ... +100 °C

- - Operating pressure
-0.95 ... 16 bar



- The reservoirs can be used to compensate pressure fluctuations, and act as accumulators in the event of sudden air consumption
- They can also be used to provide large quantities of compressed air for supplying fast pulsing drives
- Time delays for pressure build-up can be achieved in combination with flow control valves

Technical data			
Type	VZS-5-B	VZS-10-B	VZS-20-B
Pneumatic connection	G1		
Condensate drain connection	G3/8		
Type of mounting	Via through-holes		
Installation position	Condensate drain downwards		
Volume [l]	5	10	20
Weight [g]	3,500	6,000	8,600

- - Note: This product conforms with the ISO 1179-1 standard and the ISO 228-1 standard.

Operating and environmental conditions			
Type	VZS-5-B	VZS-10-B	VZS-20-B
Operating pressure [bar]	-0.95 ... +16		
Operating medium	Compressed air		
	Nitrogen		
Ambient temperature [°C]	-10 ... +100 (observe operating range of tubing and pipe)		
Temperature of medium [°C]	-10 ... +100 (observe operating range of tubing and pipe)		
Corrosion resistance class CRC ¹⁾	4		
Conforms to	DIN EN 286-1		
CE symbol (see declaration of conformity)	In accordance with EU Simple Pressure Vessel Directive		
Approval	German Technical Control Board (TÜV)		

1) Corrosion resistance class 4 according to Festo standard 940 070
Components requiring higher corrosion resistance. Parts used with aggressive media, e.g. food or chemical industry. These applications should be supported with special tests with the media if required

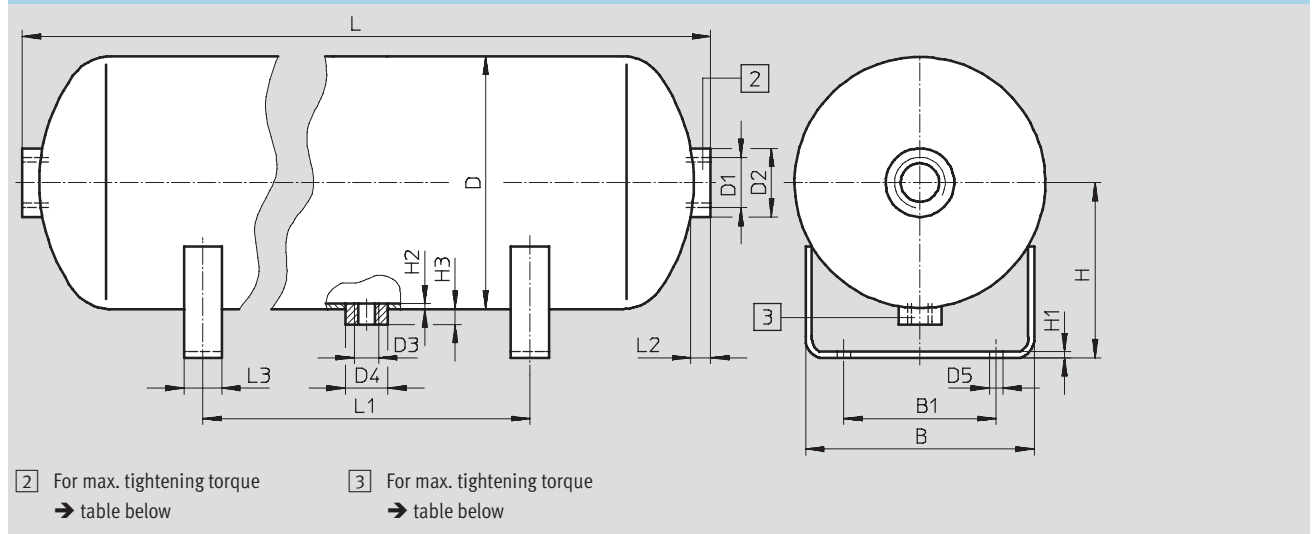
Materials	
Air reservoir	Painted steel
Note on materials	Free of copper and PTFE

Air reservoirs VZS

Technical data

FESTO

Dimensions Download CAD data → www.festo.com



Type	B ±2	B1 ±2	D ±4 ∅	D1	D2 ∅	D3	D4 ∅	D5 ∅	H ±1.5	H1
VZS-5-B	130	90	154	G1	45	G $\frac{3}{8}$	28	9	115	4
VZS-10-B	150	100	166						115	
VZS-20-B	150	100	206						146.5	

Type	H2 min.	H3	L	L1 ±1.5	L2	L3	Max. tightening torque	
							Connecting thread [Nm]	Condensate drain [Nm]
VZS-5-B	2	12	348 ±4	150	18	25	130	27
VZS-10-B			558 ±5	300				
VZS-20-B			696 ±6	300				

Note: This product conforms with the ISO 1179-1 standard and the ISO 228-1 standard.

Ordering data		
Volume [l]	Part No.	Type
5	192160	VZS-5-B
10	151923	VZS-10-B
20	192161	VZS-20-B