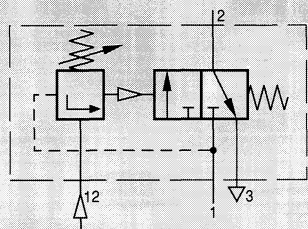


## Adjustable Pneumatic Pressure Switch

Type VD-3-PK-3

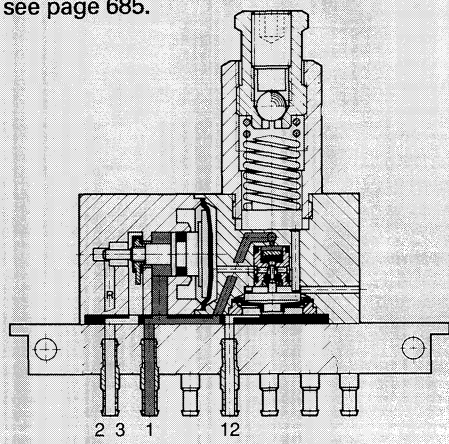
With Sub-base



This valve is used if a pressure-dependent signal is required to actuate further control, for example, when a minimum clamping pressure is obtained by a cylinder.

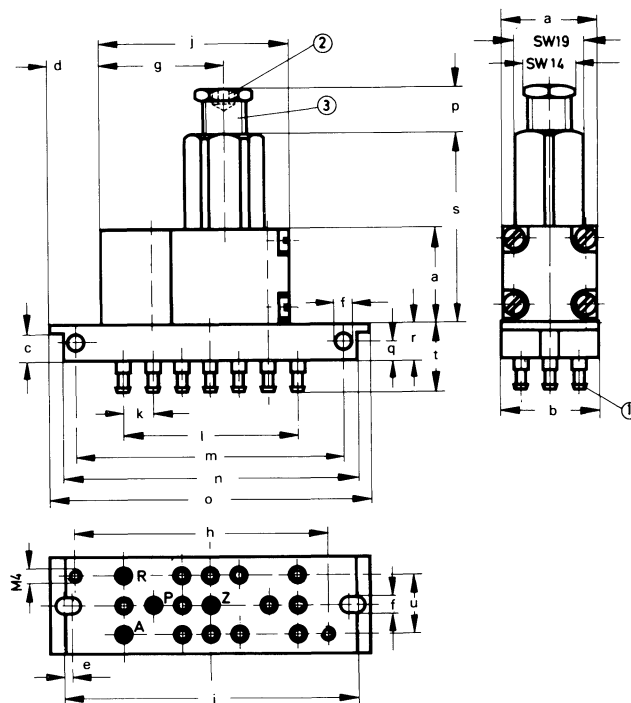
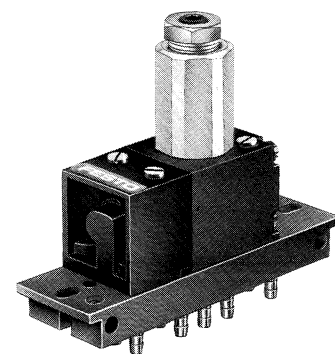
As soon as the pilot signal applied at connection 12 reaches the pre-set pressure, the built-in 3-way, 2-position directional control valve shifts. Conversely, the valve shifts back when the signal at 12 falls below the pre-set pressure.

For mounting racks for cabinet mounting, see page 685.



### Dimensions

a	1.02 in / 26 mm	l	1.89 in / 48 mm
b	1.06 in / 26.8 mm	m	2.91 in / 74 mm
c	0.30 in / 7.7 mm	n	3.18 in / 80.8 mm
d	0.56 in / 14.2 mm	o	3.48 in / 88.5 mm
e	0.09 in / 2.3 mm	p	20.59 in / 5-15 mm
f	0.17 in / 4.4 mm	q	0.20 in / 5 mm
g	1.36 in / 34.5 mm	r	0.39 in / 10 mm
h	2.95 in / 75 mm	s	2.07 in / 52.5 mm
i	3.19 in / 81 mm	t	0.73 in / 18.5 mm
j	2.05 in / 52 mm	u	0.63 in / 16 mm
k	0.32 in / 8 mm		



- ① Barbed fitting for 3 mm tubing
  - ② Set-screw
  - ③ Pressure adjustment screw  
(1 division  $\approx$  15 psi / 1 bar)
- SW = wrench size, mm

- 1 (P) = Supply
- 2 (A) = Outlet
- 3 (R) = Exhaust
- 12 (Z) = Pilot

Order Number	Part No./Type	9270 VD-3-PK-3
Medium		Compressed air (filtered, lubricated or unlubricated)
Mounting		Holes through sub-base or on racks
Connection		Barbed fitting for 3 mm tubing
Orifice Size		0.10 in / 2.5 mm
C <sub>v</sub> Factor (1 → 2)		0.10 C <sub>v</sub> / 100 l/min
Pressure Range*		27 to 120 psi / 1.8 to 8 bar
Adjustable Control Pressure		15 to 120 psi / 1 to 8 bar
Reproducibility	Shift Pressures > 15 psi / 1 bar	± 2%
	Reset Pressures > 15 psi / 1 bar	± 1.5%
Dead Band at 90 psi / 6 bar		16 psi / 1.1 bar
Design		Seat valve with return spring
Materials		Housing: Diecast Zn Al, Actuator Head: Al, Adjustment Screw: Steel, Seals: Buna N.
Weight		0.485 lb / 0.220 kg

\* 14 to 140°F / -10 to +60°C