

- **Compact Performance:**
Maximum flow with minimum space requirement
- Mounted on-site
- Short tubing lengths, short cycle times
- Huge range of valve functions
- Comprehensive electrical connection concept
- Integrated assembly and installation concept
- Pneumatic multiple connector plate
- 24-hour delivery service

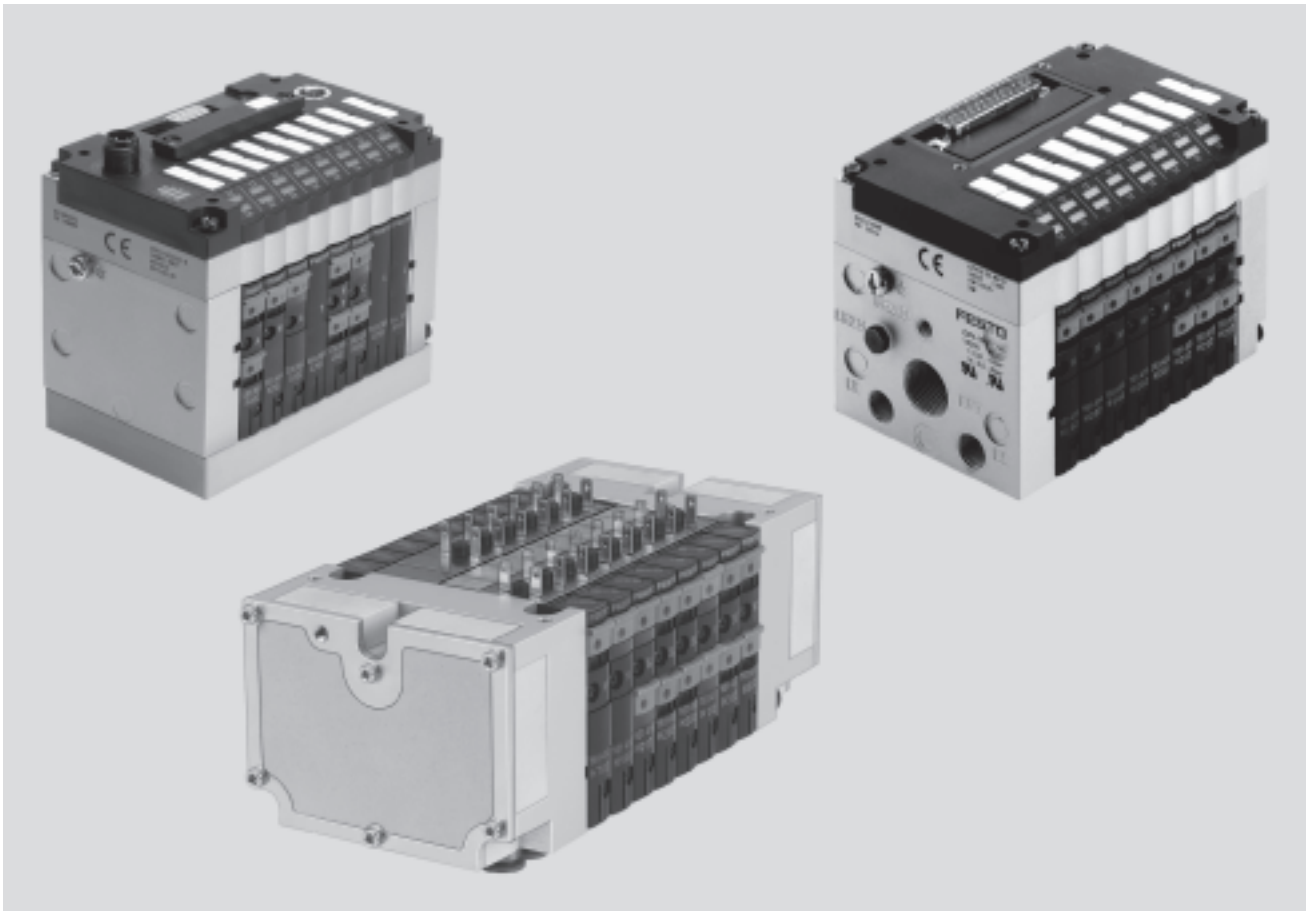
Valve terminals type 10 CPV, Compact Performance

Features

FESTO

Valve terminals for standard applications
Compact Performance

2.1



Innovative

- Cubic design for exceptional performance and low weight
- Low installation and bus connection costs
- Ideal for decentralised machines and system structures, for example
 - in handling technology
 - in conveyor technology
 - in the packaging industry
 - in sorting systems
 - in upstream machine functions
- Integrated diagnostics, condition monitoring (Fieldbus Direct)
- A string extension for Fieldbus Direct of 8 ... 32 inputs and 8 ... 32 outputs is possible without any difficulty (version-dependent)

Versatile

- Flexible and cost-effective connection of 2 to 8 valve slices
- Highly flexible thanks to:
 - various pneumatic functions (valve variants)
 - different pressure ranges
 - vacuum switches
 - integrated vacuum generation
 - relay plates with floating electrical outputs
- Separator plates for the formation of pressure zones
- Blanking plates for future expansion

Reliable

- LED displays
- Manual valve overrides
- Protection class to IP65
- CE, UL symbol
- EX certification (see Technical Data)

Easy to mount

- Ready to install unit, already assembled and tested
- Lower cost of selection, ordering, installation and commissioning
- Secure mounting on wall or H-rail mounting
- Pneumatic multiple connector plate
 - fast assembly without the need to replace the connected tubing
- Assembly optimised for control cabinets

Valve terminals type 10 CPV, Compact Performance

Features

Simple electrical connections:

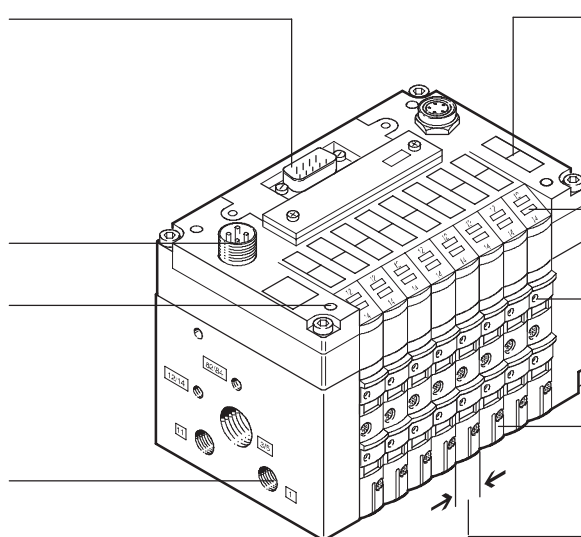
- Individual connection/ET200X
- Multi-pin plug connector
- AS-interface
- Installation system CP/CPI
- Fieldbus Direct

Operating voltage connection

Quick mounting:

- Directly using screws
- On a H-rail
- Via the pneumatic multiple connector plate

Robust metal thread or pre-assembled QS connections



Inscription labels

Reduced downtimes: LED diagnosis on the spot

Reliable operation: Manual override, non-detenting, detenting or blocked

Comprehensive range of valve functions, pressure zone formation, blanking plates

- Width
- 10 mm
 - 14 mm
 - 18 mm

Equipment options

Valve functions

- | | | | |
|---|--|---|---|
| <ul style="list-style-type: none"> • 5/2-way valve, single solenoid • 5/2-way valve, double solenoid • 2x 3/2-way valve, normally open • 2x 3/2-way valve, normally closed • 2x 3/2-way valve, 1x normally open, 1x closed | <ul style="list-style-type: none"> • 5/3-way valve, mid-position closed • 5/3G function, mid-position closed • 5/3E function, mid-position exhausted • 5/3B function, mid-position pressurised | <ul style="list-style-type: none"> • 2x 2/2-way valve, normally closed • 2x 2/2-way valve, 1x normally open, 1x closed • 5/2-way valve, monostable, fast-switching • Vacuum generators • Vacuum generator and 2/2-way valve with ejector pulse | <p>Certain terminals allow the choice of a relay plate with two floating contacts in place of a valve sub-base.</p> |
|---|--|---|---|

Special features

Individual connection

- 2 ... 8 valve positions, max. 16 solenoid coils

Multi-pin plug connection

- 4, 6 or 8 valve positions, max. 16 solenoid coils

AS-interface

- 2, 4 or 8 valve positions, max. 8 solenoid coils
- 4 or 8 inputs for 4 or 8 valve positions

Installation system CP/CPI

- 4, 6 or 8 valve positions, max. 16 solenoid coils
- With CP/CPI string extension, further valve terminals and I/O modules with CP/CPI function can be connected

Fieldbus Direct

- 8 valve positions, max. 16 solenoid coils
- With CP/CPI string extension, further valve terminals and I/O modules with CP/CPI functions can be connected

Electrical connection for ET200X

- 8 valve positions, max. 16 solenoid coils



Note

A moulded seal is required for the valve terminal CPV10-ET 200X in order to achieve the IP protection class.

The moulded seal CPV10-...-GE-8 or CPV14-...-GE-8 must be ordered separately.

Valve terminals type 10 CPV, Compact Performance

Features



Valve terminal configurator

Online via: → www.festo.com/en/engineering

A valve terminal configurator is available to help you select a suitable valve terminal CPV. This makes it much easier for you to find the right product.

The valve terminals are fully assembled according to your order specifications and individually tested. This reduces assembly and installation time to a minimum. You order a valve terminal type 10 using the order code.

Ordering system for type 10

→ 4 / 2.1-60



The illustration above provides an example of a valve terminal configuration. The following steps explain how you arrive at the order code:

Once you have called up the Festo home page (www.festo.com), click on “Automation” and select the online version of the digital product catalogue from the “Products” submenu. This will take you directly to the home page of the catalogue. Click in the “Search” box next to “Products”.

Here you can enter a “Part No.” (e.g. 18210), “Type” (e.g. CPV14) or “Article Designation” (e.g. valve terminal) to find the valve terminal you want. Click on the link “Configure common options”.

You can then configure the valve terminal step by step (from left to right) according to your requirements. Click on the shopping basket to save the selected configuration (this does not trigger an order). You can switch to expert mode at any time by clicking on the “Further options” link. This provides you with extended options for configuring your valve terminal.

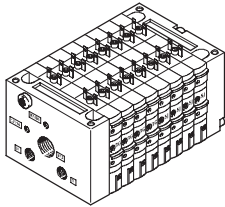
Valve terminals type 10 CPV, Compact Performance



Features

Electrical connections

Individual connection



Connection is independent of the control technology used. This ensures correct polarity during installation. The connector plug is equipped with an LED which indicates switching status, and an overvoltage protective circuit.

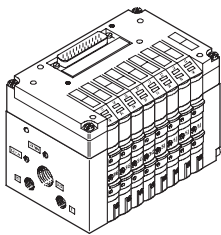
It also features a built-in current reduction circuit. Individual connection permits the selection of 2 to 16 solenoid coils (divided between two to eight valve slices, including in uneven stages).

An intrinsically safe version rounds off the range.

Further information

➔ 4 / 3.4-1

Multi-pin plug connection

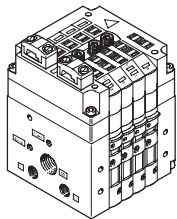
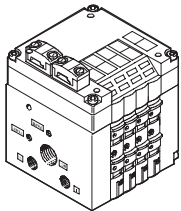


Control signals from the controller to the valve terminal are transmitted via a pre-assembled multi-wire cable, which substantially reduces installa-

tion time. The current reduction circuit for the valves is also integrated in the multi-pin plug connection.

This valve terminal can be equipped with 4 to 16 solenoid coils (4, 6 or 8 valve slices).

AS-interface connection



A special feature of the AS-interface is its ability to simultaneously transmit data and supply power via a two-wire cable. The encoded cable profile prevents connection with incorrect polarity. If the valves have to be disconnected from mains power in an emergency, they can also be supplied with electrical power via a separate connection. Two versions are available for valve terminals for A/B operation.

The valve terminal with AS-interface can be configured as follows:

- Without inputs, with two or four valve slices (max. 4 solenoid coils) and additional power supply
- With four inputs and four valve slices (max. 8 solenoid coils)
- With four or eight inputs and four or eight valve slices (max. 8 solenoid coils) and additional power supply

- With four or eight inputs and four or eight valve slices incl. vacant position or positions (max. 6 solenoid coils for A/B operation to SPEC.2.1) and additional power supply. In A/B operation to SPEC. 3.0 with profile 7.A.7 eight solenoid coils can be connected in contrast to the SPEC 2.1 version.

Further information

➔ 4 / 4.9-277



Note
Valve terminals to SPEC.2.1 cannot be operated on a master to SPEC.3.0 with profile 7.A.7.

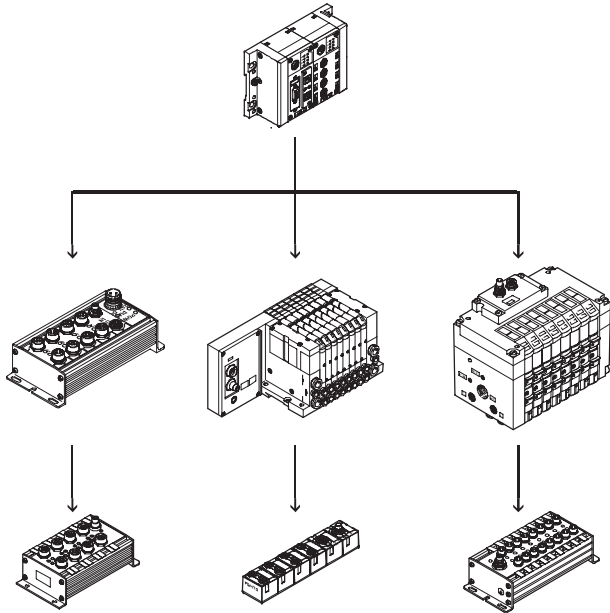
Valve terminals type 10 CPV, Compact Performance

Features



Electrical connections

Installation system CP/CPI



Valve terminals with fieldbus connection are intended for connection to higher-order fieldbus nodes or to control blocks. A fieldbus node or control block also enables the connection of decentralised input/output modules. The following fieldbus protocols are supported:

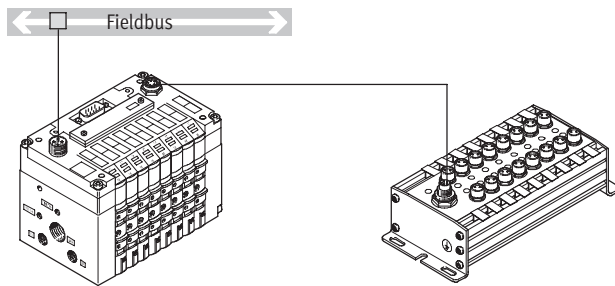
- Festo fieldbus, ABB CS31, Moeller Suconet K
- Interbus
- Allen Bradley (1771 RIO)
- DeviceNet
- Profibus-DP
- CANopen
- CC-Link

Four strings with up to 32 inputs and 32 outputs (version-dependent) can be connected to a fieldbus node or control block. The CPV valve terminal is treated like an output module with up to 8 outputs (4, 6 or 8 valve slices or 4 to 16 solenoid coils per terminal). The connecting cables transmit all required electrical signals (control signals, operating voltage for the internal electronics of the module and load voltage supply for connected valves).

Further information

➔ 4 / 4.6-1

Fieldbus Direct



Fieldbus Direct is a system for the compact connection of a CPV, CPV-SC, CPA-SC or CDVI valve terminal to different fieldbus standards such as Profibus and DeviceNet.

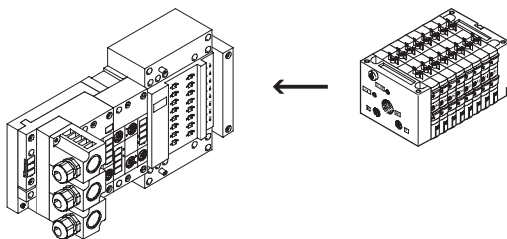
The fieldbus node is directly integrated in the electrical interface of the valve terminal and therefore takes up only a minimal amount of space. The CPI string extension option allows the functions and components of the CPI system to be used.

The new high-performance CPI string extension offers up to 4 supplementary CPI modules, combined with CP or CPI-compatible valve terminals for extension purposes. An expansion of the system, Fieldbus Direct of 8 ... 32 inputs and 8 ... 32 outputs is possible without any difficulty.

Further information

➔ 4 / 4.7-1

ET200X pneumatic interface for CPV10 and CPV14



Adaptation of the CPV valve terminal to the input/output module ET200X from Siemens:

The combination of the ET200X functional modules and the pneumatic functions of the CPV valve terminal provides a highly integrateable automation solution for systems using electrical and pneumatic drives with:

- 8 valve slices for up to 16 CPV valves
- Fast and secure contacting to IP65
- CPV10 and CPV14 valve terminals
- Not permitted for CPV10-EX-VI
- High degree of protection IP65/IP67
- Modular design

Valve terminals type 10 CPV, Compact Performance

Peripherals overview

CPV – The benefits at a glance

The CPV valve terminal is of unique design. It provides the flexible combination of pneumatic performance, electrical connection technologies and a wide range of mounting options. The generously sized flow ducts and powerful flat plate silencers ensure high flow rates. This means that even comparatively large pneumatic cylinders can be driven with ease. All valves are in the form of valve slices. They are optimised for flow

performance and are also extremely compact. Two functions per valve slice (e.g. 2x 3/2-way valves) mean that twice the component density can be achieved. This saves space and reduces costs.

The cubic design permits exceptional performance yet a comparatively low weight. The benefits of this design are obvious when the valve terminal is used on a moving installation. However robustness must not be

sacrificed in favour of compactness.

The connecting thread and mounting attachments are metallic.

The manual override for the valves can be adapted for different operating situations. If, for example, a detenting manual override is required for setting-up mode, the manual override can be easily converted for that application in a way that rules out operational errors.

The clear, large labelling system also

contributes to the safe operation of the valve terminal.

A particular plus is the range of electrical connection technologies supported. All types of valve actuation are possible, from individual valve connections up to bus systems with versatile expansion options. The integration of electrical input and output modules permits cost-effective solutions within the different installation concepts.

The design principle

The cubic design provides a clearly assigned function on each face. Thus, for example, the electrical connection is mounted on the top face.

An optional inscription label holder can be placed on the front of the valve terminal.

The different combination options ensure the optimum solution for the task at hand.

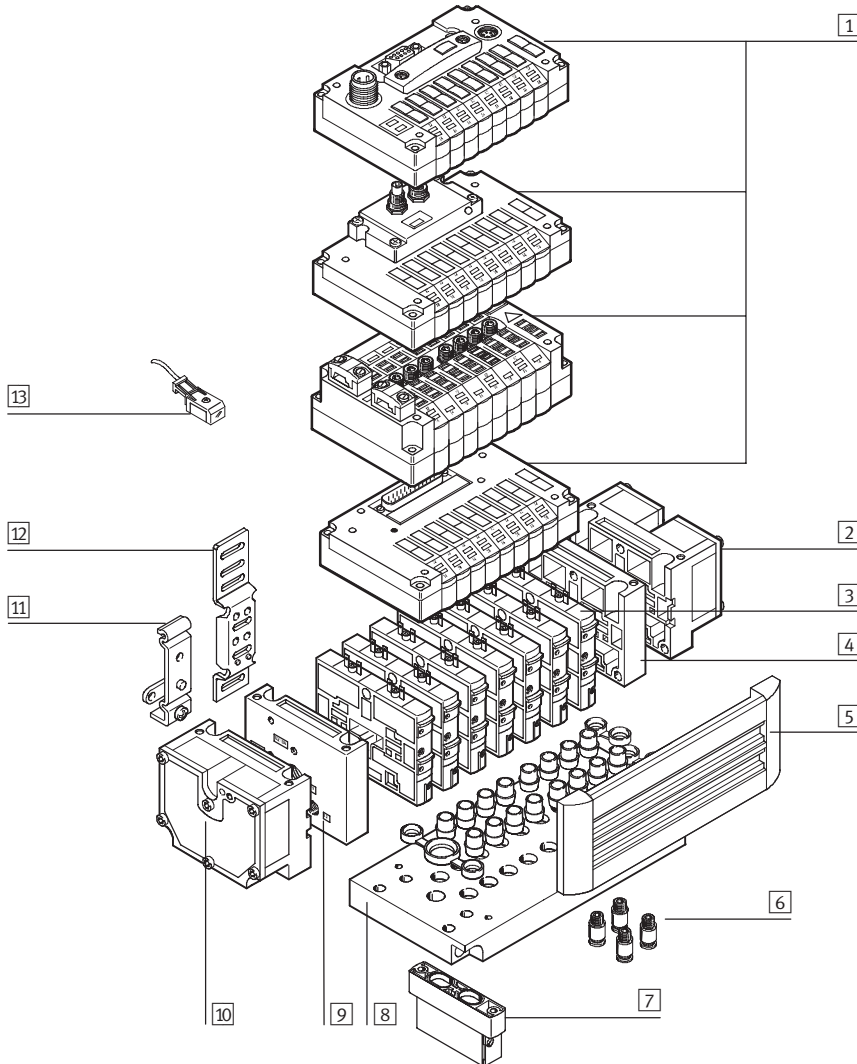
- Compressed air supply connections on the left, right or underneath
- Pneumatic working ports and functional modules (vertical linkage) underneath
- Manual operation/identification on the front
- Electrical connection surface on the top
- Mounting surface at the back or even at the front via a pneumatic multiple connector plate

Valve terminals type 10 CPV, Compact Performance

Peripherals overview

FESTO

Overview – CPV valve terminal



- | | | | |
|---|--|---|--|
| <p>1 Basic electrical unit (Fieldbus Direct, CP/CPI installation system, AS-interface, multi-pin plug, individual connection)</p> | <p>3 Comprehensive range of valve functions</p> | <p>7 Functional module (vertical linkage)</p> | <p>10 Left-hand end plate with flat plate silencer</p> |
| <p>2 Right-hand end plate with flat plate silencer</p> | <p>4 Right-hand end plate (threaded connection not in conjunction with pneumatic multiple connector plate)</p> | <p>8 Pneumatic multiple connector plate</p> | <p>11 H-rail mounting</p> |
| | <p>5 Holder for inscription label</p> | <p>9 Left-hand end plate (threaded connection not in conjunction with pneumatic multiple connector plate)</p> | <p>12 Wall mounting</p> |
| | <p>6 QS push-in fittings</p> | | <p>13 Plug socket with cable for individual connection</p> |

Valve terminals type 10 CPV, Compact Performance



Key features – Pneumatic components

Valves

CPV valves are series manifold valves, i.e. in addition to the valve function they contain all of the pneumatic ducts for supply, exhaust and the working lines. The supply ducts are a central component of the valve slices

and allow a direct flow of air through the valve slices.

This helps achieve maximum flow rates. All valves have a pneumatic pilot control for optimising performance. The valve function is based on a

piston spool system with a patented sealing principle that guarantees its suitability for a wide range of applications as well as a long service life. The pneumatic components and

functions are always identical for all actuator types. Most functions are also available in the various valve sizes (spacing). Restrictions are noted where applicable.

Valve function					
Code	Circuit symbol	Size			Description
		10	14	18	
M		■	■	■	5/2-way valve, single solenoid • Pneumatic reset
F		■	-	-	The valve slice F has a modified pilot system that permits quicker on/off switching times. • Only available for size 10 mm • Fast switching • Pneumatic reset
J		■	■	■	5/2-way valve, double solenoid
C		■	■	■	2x 3/2-way valve, single solenoid • Normally closed • Pneumatic reset
N		■	■	■	2x 3/2-way valve, single solenoid • Normally open • Pneumatic reset • The function of a 5/3-way valve in mid-position pressurized can be implemented with these valves in basic position open.
H		■	■	■	2x 3/2-way valve, single solenoid • Normally 1x open (pilot control 12) 1x closed (pilot control 14) For optimised cylinder movement. Corresponds to valve function M with simultaneous actuation of both solenoid coils (5/2-way, single solenoid). Since the piston area on each side can be pressurised or exhausted separately, it means that the cylinder can move faster. • Pneumatic reset

Valve terminals type 10 CPV, Compact Performance

Key features – Pneumatic components



Valve terminals for standard applications
Compact Performance
2.1

Valve function					
Code	Circuit symbol	Size			Description
		10	14	18	
G		-	-	■	5/3-way valve, mid-position closed Only available for size 18 mm • Mechanical reset
		■	■	-	5/3G ¹⁾ , function, mid-position closed For size 10 and 14 The valve function “mid-position closed” is created from one 2x 3/2-way valve, normally closed (code C). The valve kit CPV10-BS-5/3G-M7 or CPV14-BS-5/3G-1/8 (incorporating a double piloted non-return function) is used for this. This valve kit is intended for applications with one working pressure level per valve slice, i.e. it may not be used in dual-pressure applications (where there are different pressure levels at port 1 and 11). If other valve slices are to be used in dual-pressure mode, then the valve slice equipped with the 5/3G valve kit must be separated from compressed air duct 1 and 11 by means of a separator plate (code T). Not in first or last valve position.
		■	■	■	5/3E function, mid-position exhausted The valve function “mid-position exhausted” is created from one 2x 3/2-way valve, normally closed (code C). • Pneumatic reset
		■	■	■	5/3B function, mid-position pressurised The valve function “mid-position pressurised” is created from one 2x 3/2-way valve, normally open (code N). • Pneumatic reset
		■	■	■	2x 2/2-way valve, single solenoid • Normally closed • Pneumatic reset
I		■	■	■	2x 2/2-way valve, single solenoid • Normally 1x open, 1x closed, • Control side 14 normally closed • Control side 12 normally open • Pneumatic reset

1) Cannot be assembled in conjunction with the control cabinet version of the pneumatic multiple connector plate CPV10-VI-P...C or CPV10-VI-P...D

Valve terminals type 10 CPV, Compact Performance



Key features – Pneumatic components

Additional pneumatic functions					
Code	Circuit symbol	Size			Description
		10	14	18	
A	<p>Vacuum generators</p>	■	■	■	<p>Vacuum generation according to the ejector principle. Vacuum slices of different widths for different suction capacities. Combinations with a number of vacuum slices and/or directional control function slices are possible on the same valve terminal. In principle, an open connection is formed between the exhaust duct 3/5 and the working line 4. When the nozzle is not switched, the resulting back pressure in the exhaust duct flows back into the working line. When the nozzle is switched, the vacuum can be greatly reduced by the resulting back pressure.</p>
E	<p>Vacuum generator with ejector pulse</p>	■	■	■	<p>This effect is improved through optimised exhausting. This effect does not occur where there is only one vacuum generator per valve terminal and where separator plates (code S) are used for separation.</p> <ul style="list-style-type: none"> • Vacuum generator on pilot side 14 • Reset via mechanical spring and pneumatic spring • Ejector pulse on pilot side 12 (code E) • Note air supply and exhaust when using more than two vacuum generators
P	<p>2x one-way flow control valve, supply air</p>	■	■	–	<p>Module (actuator) for direct flange mounting on the CPV valves. Also suitable for pneumatic multiple connector plates. Different valve actuators cannot be combined.</p> <ul style="list-style-type: none"> • Not with valve function G • Not in first or last valve position with accessories M, P, V (pneumatic multiple connector plate)
Q	<p>2x one-way flow control valve, exhaust air</p>	■	■	–	<p>Module (actuator) for direct flange mounting on the CPV valves. Also suitable for pneumatic multiple connector plates. Different valve actuators cannot be combined.</p> <ul style="list-style-type: none"> • Not with valve function G • Not in first or last valve position with accessories M, P, V (pneumatic multiple connector plate)
V	<p>One-way flow control valve for vacuum</p>	■	■	–	<p>The module CPV-...-BS-GRZ-V-... has a built-in non-return valve as well as a throttle function for adjusting the ejector pulse. The non-return valve serves to temporarily maintain the vacuum, even if the vacuum generator is switched off. The module is suitable for vacuum generators (code A, E).</p> <ul style="list-style-type: none"> • Not in first or last valve position with accessories M, P, V (pneumatic multiple connector plate)

Valve terminals type 10 CPV, Compact Performance

Key features – Pneumatic components



Creating pressure zones

Different pressures at port 1 and 11 result in two pressure levels per valve. This means, for example, that a cylinder drive can be extended with high pressure and retracted with low pressure to save energy.

The maximum number of pressure zones possible is determined by the combination of the following components:

- Use of a separator plate
- End plate pair type
- Valve slice type

You can divide the CPV valve terminal into 2 to 4 pressure zones by using separator plates.

Separator plates					
Code	Graphic symbol	Size			Note
		10	14	18	
T	Separator plate (for formation of pressure zones), supply duct 1 separated 	■	■	■	A separator plate (code T) is used to separate the duct for the air supply (port 1 and 11) to provide two pressure zones. <ul style="list-style-type: none"> • Not in first or last valve position • Not with compressed air supply A, B, C, D, U, V, W, X
S	Separator plate (for formation of pressure zones), supply duct 1 and exhaust 3/5 separated 	■	■	■	The separator plate (code S) separates the exhaust duct 3/5 as well as the supply duct 1 and 11. This plate should be used if one of the pressure zones is under vacuum to avoid any effects on the vacuum or to prevent backpressure on neighbouring valve functions. <ul style="list-style-type: none"> • Not in first or last valve position • Not with compressed air supply A, B, C, D, U, V, W, X (single-side compressed air supply)
L	Blanking plate (vacant position) 	■	■	■	A vacant position is formed by using a blanking plate (code L) whereby a valve can be positioned here at a later date.
R	Relay plate (2 floating contacts) 	■	■	-	A relay plate (code R) with (normally open contacts) can also be used instead of a valve slice. Each relay plate has two relays for actuating two electrically isolated outputs. Load capacity: 24 V DC, 1 A. <ul style="list-style-type: none"> • Connecting cable KRP-1-24-... • An inscription label holder cannot be used

Valve terminals type 10 CPV, Compact Performance



Key features – Pneumatic components

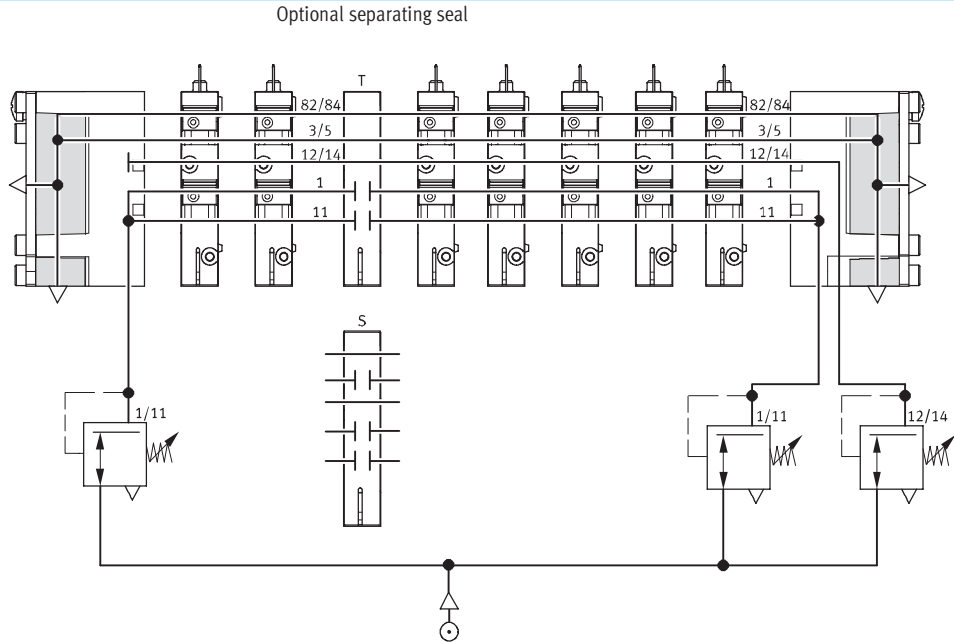
Examples: Compressed air supply

External pilot air supply, flat plate silencer at both ends

Compressed air supply via pneumatic multiple connector plate

Code H

The diagram opposite shows an example of the configuration and connection of the compressed air supply with external pilot air supply. Port 12/14 on the pneumatic multiple connector plate is equipped with a fitting for this purpose. Ports 3/5 and 82/84 are vented via the flat plate silencer. One separating seal each can be used optionally to create pressure zones.

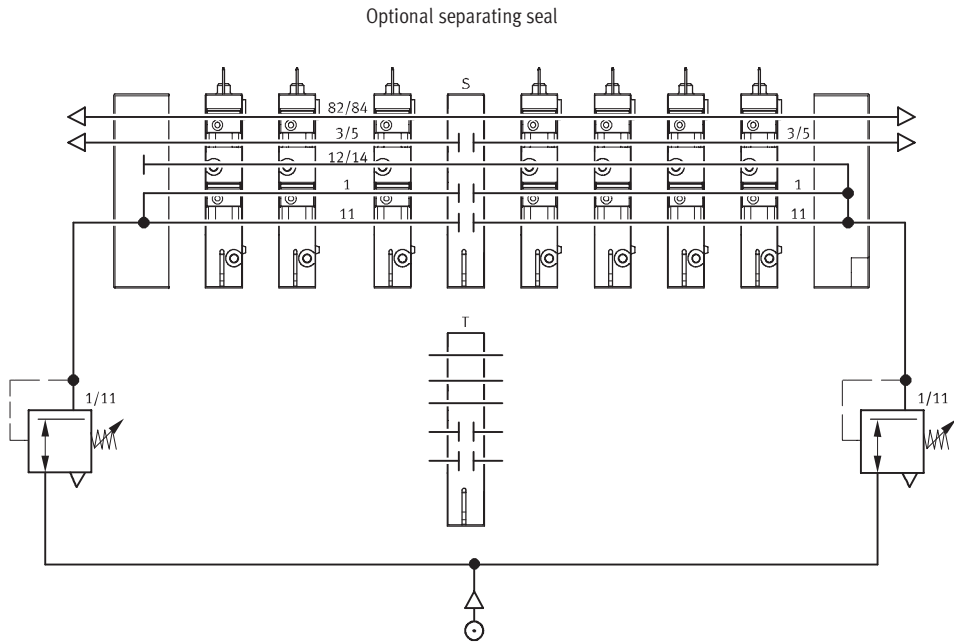


Internal pilot air supply, ducted exhaust air or screw-in silencer

Compressed air supply via end plates:

Code Z

The diagram opposite shows an example of the configuration and connection of the compressed air supply with internal pilot air supply. Here the pilot air is branched at the right-hand end plate of port 1 or 11. Ports 3/5 and 82/84 are vented via the screw-in silencer. One separating seal each can be used optionally to create pressure zones.



Valve terminals type 10 CPV, Compact Performance

Key features – Pneumatic components

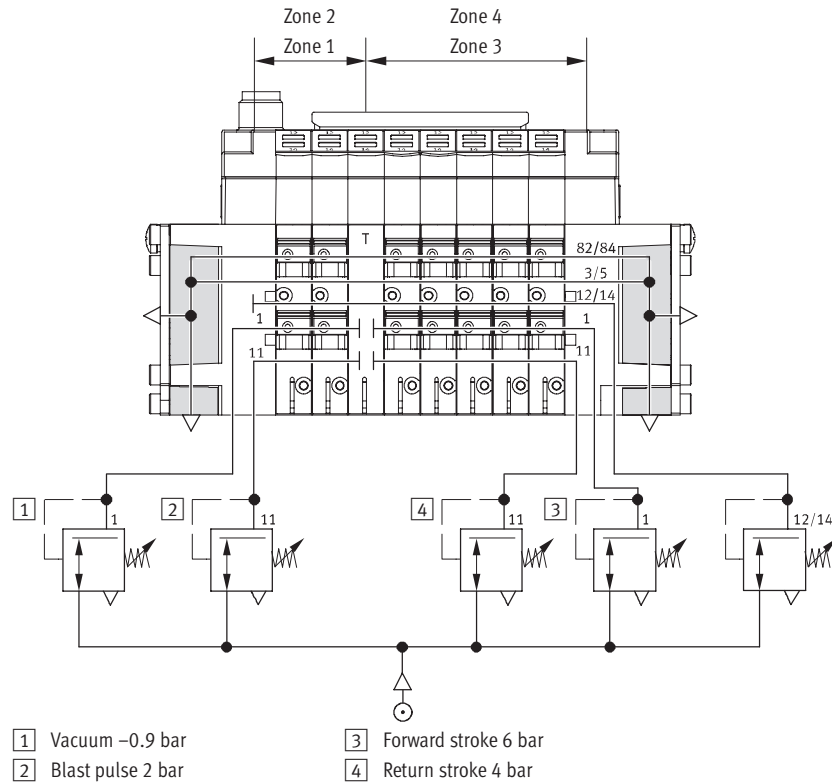


Example: Creation of pressure zones

CPV with separator plate T

The valve terminal CPV facilitates the creation of up to 4 pressure zones.

The diagram shows an example of the configuration and connection of four pressure zones using separator plate code T – with external pilot air supply.



Valve terminals type 10 CPV, Compact Performance

Key features – Pneumatic components

Compressed air supply and venting

The two end plates which supply the valve slices with pressure and exhaust are a characteristic feature of a CPV valve terminal.

- Large duct cross sections ensure maximum flow rates even when multiple valves are switched in parallel

- Large surface mounted silencers in the end plates
- Internal/external pilot air supply

Each individual valve is supplied with compressed air from two individual ducts (supply ports 1/11) and

exhausted via a large, integrated exhaust duct (exhaust 3/5). This design permits unique flexibility and functionality. It is the easiest way of realising a number of pressure zones per terminal or combinations of vacuum applications.

The valve terminal is supplied via end plates, either on the left, on the right, or on both sides. End plate combinations other than those listed are possible (on request).

Pilot air supply

Internal pilot air supply

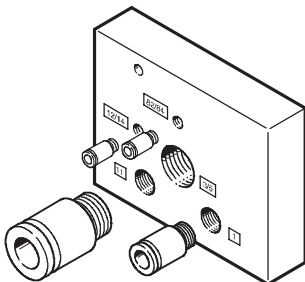
An internal pilot air supply can be selected if the supply pressure at pneumatic connection 1 is 3 ... 8 bar. The branch is located in the left or right-hand end plate with an internal pilot air supply. There is no port 12/14.

External pilot air supply

An external pilot air supply is required if the supply pressure at pneumatic connection 1 is less than 3 bar or greater than 8 bar. In this case, pressure of 3 ... 8 bar is applied at port 12/14.

If a gradual pressure build-up in the system using a pressurised on-off valve is required, external pilot supply air should be selected. Here the control pressure applied during switch-on is already very high.

End plates



Example of an end plate: The figure shows a left-hand end plate with external pilot supply air. The exhaust connections 3/5 and 82/84 can be fitted with threaded connections or

silencers. An end plate for internal pilot air supply does not have ports 12/14 and 11.

The port 82/84 is always present and should be provided with a silencer. The port 12/14 is connected internally with port 1 on an end plate for internal pilot air supply.

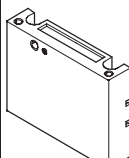
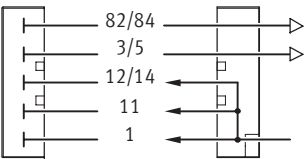
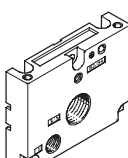
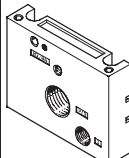
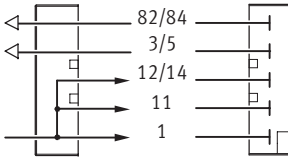
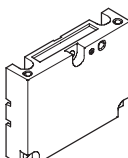
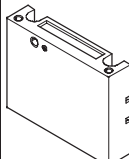
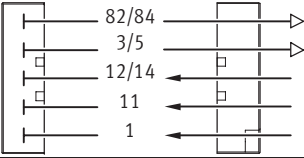
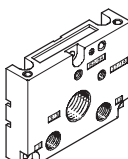
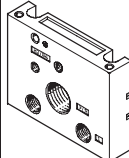
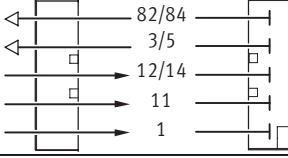
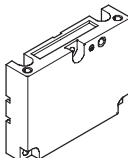
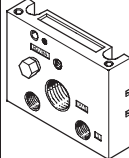
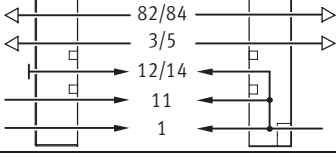
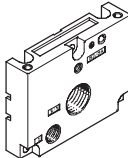
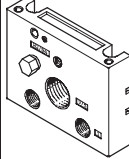
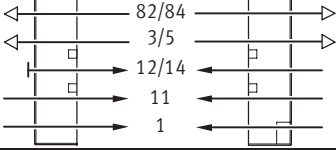
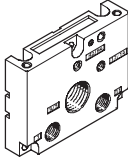
Valve terminals type 10 CPV, Compact Performance

Key features – Pneumatic components



Valve terminals for standard applications
Compact Performance

2.1

End plate combination for compressed air supply via end plate					
Code	Graphic symbol Type of pilot air supply (internal/external)	Size			Note
		10	14	18	
U	Internal pilot air supply   	■	■	■	<ul style="list-style-type: none"> • Ports in right-hand end plate only • No pressure zone separation permissible • Not suitable for vacuum
V	Internal pilot air supply   	■	■	■	<ul style="list-style-type: none"> • Ports in left-hand end plate only • No pressure zone separation permissible • Not suitable for vacuum
W	External pilot air supply   	■	■	■	<ul style="list-style-type: none"> • Ports in right-hand end plate only • No pressure zone separation permissible • Suitable for vacuum
X	External pilot air supply   	■	■	■	<ul style="list-style-type: none"> • Ports in left-hand end plate only • No pressure zone separation permissible • Suitable for vacuum
Y	Internal pilot air supply   	■	■	■	<ul style="list-style-type: none"> • Ports in left-hand and right-hand end plate • Maximum three pressure zones • Valves to the left of the separator plate suitable for vacuum
Z	External pilot air supply   	■	■	■	<ul style="list-style-type: none"> • Ports in left-hand and right-hand end plate • Maximum four pressure zones • Suitable for vacuum

Valve terminals type 10 CPV, Compact Performance



Key features – Pneumatic components

End plate combination for compressed air supply via pneumatic multiple connector plate					
Code	Graphic symbol Type of pilot air supply (internal/external)	Size			Note
		10	14	18	
Y	Internal pilot air supply 	■	■	■	<ul style="list-style-type: none"> Ports on pneumatic multiple connector plate Pressure zone separation only permissible with separator plate (code T) Maximum two pressure zones Valves to the left of the separator plate suitable for vacuum Only for accessories M, P, V (pneumatic multiple connector plate)
Z	External pilot air supply 	■	■	■	<ul style="list-style-type: none"> Ports on pneumatic multiple connector plate Pressure zone separation only permissible with separator plate (code T) Maximum three pressure zones Suitable for vacuum Only for accessories M, P, V (pneumatic multiple connector plate)

End plate combination for compressed air supply via end plates with flat plate silencer					
Code	Graphic symbol Type of pilot air supply (internal/external)	Size			Note
		10	14	18	
A	Internal pilot air supply 	■	■	■	<ul style="list-style-type: none"> Ports in right-hand end plate No pressure zone separation permissible Not suitable for vacuum
B	Internal pilot air supply 	■	■	■	<ul style="list-style-type: none"> Ports in left-hand end plate No pressure zone separation permissible Not suitable for vacuum
C	External pilot air supply 	■	■	■	<ul style="list-style-type: none"> Ports in right-hand end plate No pressure zone separation permissible Suitable for vacuum
D	External pilot air supply 	■	■	■	<ul style="list-style-type: none"> Ports in left-hand end plate No pressure zone separation permissible Suitable for vacuum

Valve terminals type 10 CPV, Compact Performance

Key features – Pneumatic components



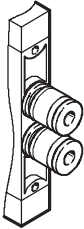
End plate combination for compressed air supply via pneumatic multiple connector plate with flat plate silencer					
Code	Graphic symbol Type of pilot air supply (internal/external)	Size			Note
		10	14	18	
E	External pilot air supply 	■	■	■	<ul style="list-style-type: none"> Ports on pneumatic multiple connector plate Exhaust air vented via flat plate silencers at right Pressure zone separation only permissible with separator plate (code T) Maximum four pressure zones Suitable for vacuum Only for accessories M, P, V (pneumatic multiple connector plate)
F	External pilot air supply 	■	■	■	<ul style="list-style-type: none"> Ports on pneumatic multiple connector plate Exhaust air vented via flat plate silencers at left Pressure zone separation only permissible with separator plate (code T) Maximum four pressure zones Suitable for vacuum Only for accessories M, P, V (pneumatic multiple connector plate)
G	Internal pilot air supply 	■	■	■	<ul style="list-style-type: none"> Ports on pneumatic multiple connector plate Exhaust air vented via flat plate silencers at left Pressure zone separation only permissible with separator plate (code T) Maximum three pressure zones Not suitable for vacuum Only for accessories M, P, V (pneumatic multiple connector plate)
H	External pilot air supply 	■	■	■	<ul style="list-style-type: none"> Ports on pneumatic multiple connector plate Exhaust air vented via flat plate silencers at both ends Pressure zone separation permissible Suitable for vacuum Only for accessories M, P, V (pneumatic multiple connector plate)
J	Internal pilot air supply 	■	■	■	<ul style="list-style-type: none"> Ports on pneumatic multiple connector plate Exhaust air vented via flat plate silencers at both ends Pressure zone separation permissible Maximum three pressure zones Valves to the left of the separator plate suitable for vacuum Only for accessories M, P, V (pneumatic multiple connector plate)
K	Internal pilot air supply 	■	■	■	<ul style="list-style-type: none"> Ports on pneumatic multiple connector plate Exhaust air vented via flat plate silencers at right Pressure zone separation permissible Maximum three pressure zones Suitable for vacuum in combination with separator plate Only for accessories M, P, V (pneumatic multiple connector plate)

Valve terminals type 10 CPV, Compact Performance



Key features – Pneumatic components

Pneumatic connection



The working lines are located directly in the valve slices. Threaded connections and Quick Star push-in fittings (QS) are available for different tubing sizes. The supply ports are located underneath the valve sub-bases.

Push-in fittings are available fully assembled.
The following working lines can be selected:

- Large push-in fittings: Code A
 - Small push-in fittings: Code B
 - Threaded connections: Code C
- Connection sizes for the threaded and QS push-in fittings can be found in the table below.

Pneumatic multiple connector plate

One-piece “connection plates” that contain both working lines and supply ports are combined in the form of a pneumatic multiple connector plate. These plates enable the valve terminal as a pneumatic “function” to be

separated from the valve ports. The pneumatic multiple connector plate enables different mounting options from wall mounting to direct passage through a cabinet wall.

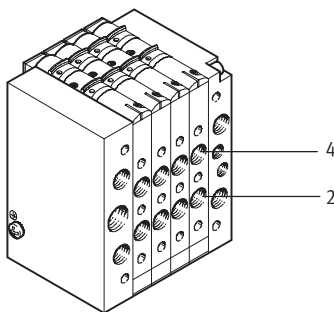
Service-friendly and flexible connection technology thanks to the following:

- Common connection via the pneumatic multiple connector plate with all connections on one side
- The valve terminal can be removed/fitted using only four screws,

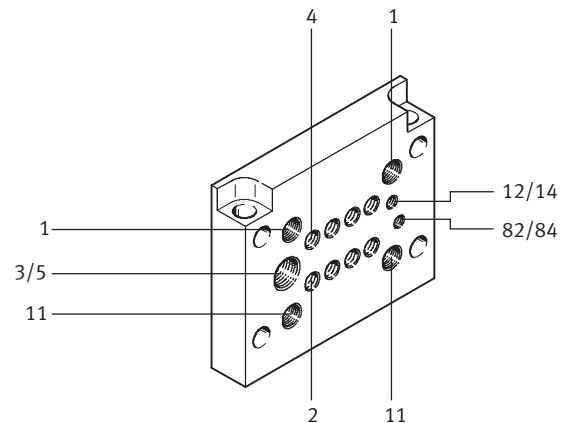
whereby the pneumatics remain fully connected

- Quick removal/fitting
- No errors upon recommissioning as a result of incorrect connection of tubing

CPV valve terminal



Pneumatic multiple connector plate



Connection sizes					
Connection to ISO 5599		CPV10	CPV14	CPV18	Remarks
1/11	Working air	G $\frac{3}{8}$	G $\frac{1}{4}$	G $\frac{3}{8}$	Fitting in end plate or pneumatic multiple connector plate
2/4	Working port	M7 (QS6/QS4)	G $\frac{1}{8}$ (QS8/QS6)	G $\frac{1}{4}$ (QS10/QS8)	Connection in valve slice, connection for push-in fitting in brackets
3/5	Exhaust air via right-hand/left-hand end plate or pneumatic multiple connector plate	G $\frac{3}{8}$	G $\frac{1}{2}$	G $\frac{1}{2}$	For ducted exhaust air
		G $\frac{1}{4}$	G $\frac{3}{8}$	G $\frac{1}{2}$	For silencer
12/14	Pilot air supply port	M5	G $\frac{1}{8}$	G $\frac{1}{4}$	
82/84	Exhaust air from left-hand/right-hand end plate or pneumatic multiple connector plate	M5	G $\frac{1}{8}$	G $\frac{1}{4}$	For ducted exhaust air
		M7 (M5) ¹⁾	G $\frac{1}{8}$	G $\frac{1}{4}$	For silencer

1) with flanged pneumatic multiple connector plate

Valve terminals type 10 CPV, Compact Performance



Key features – Pneumatic components

Valve terminals for standard applications
Compact Performance

2.1

Pneumatic connection: Fitting set for compressed air supply						
	Code Compressed air supply	Port	Designation	Size 10 QS6 Type	Size 14 QS8 Type	Size 18 QS10 Type
Without pneumatic multiple connector plate						
	U, V	82/84	Silencers	U-M5	U-1/8-B	U-1/4-B
		3/5	Silencers	U-3/8-B	U-1/2-B	U-1/2-B
		1	Push-in fitting	QS-1/8-8-l	QS-1/4-10-l	QS-3/8-12-l
	W, X	82/84	Silencers	U-M5	U-1/8-B	U-1/4-B
		3/5	Silencers	U-3/8-B	U-1/2-B	U-1/2-B
		1	Push-in fitting	QS-1/8-8-l	QS-1/4-10-l	QS-3/8-12-l
		12/14	Push-in fitting	QSM-M5-6-l	QS-1/8-8-l	QS-1/4-10-l
	Y	82/84 on right	Silencers	U-M5	U-1/8-B	U-1/4-B
		82/84 on left	Blanking plugs	B-M5	B-1/8	B-1/4
		3/5 on right	Silencers	U-3/8-B	U-1/2-B	U-1/2-B
		3/5 on left	Blanking plugs	B-3/8	B-1/2	B-1/2
		1/11 on left	Push-in fitting	QS-1/8-8-l	QS-1/4-10-l	QS-3/8-12-l
	Z	82/84 on right	Silencers	U-M5	U-1/8-B	U-1/4-B
		82/84 on left	Blanking plugs	B-M5	B-1/8	B-1/4
		3/5 on right	Silencers	U-3/8-B	U-1/2-B	U-1/2-B
		3/5 on left	Blanking plugs	B-3/8	B-1/2	B-1/2
		12/14 on right	Push-in fitting	QSM-M5-6-l	QS-1/8-8-l	QS-1/4-10-l
		12/14 on left	Blanking plugs	B-M5	B-1/8	B-1/4
		1/11	Push-in fitting	QS-1/8-8-l	QS-1/4-10-l	QS-3/8-12-l
With pneumatic multiple connector plate code: M						
	Y	82/84	Silencers	UC-M7	U-1/8-B	U-1/4-B
		12/14	Blanking plugs	B-M7	B-1/8	B-1/4
		3/5	Silencers	U-1/4-B	U-3/8-B	U-1/2-B
		1/11 on left	Push-in fitting	QS-1/8-8-l	QS-1/4-10-l	QS-3/8-12-l
		11 on right	Blanking plugs	B-1/8	B-1/4	B-3/8
	Z	82/84	Silencers	UC-M7	U-1/8-B	U-1/4-B
		3/5	Silencers	U-1/4-B	U-3/8-B	U-1/2-B
		12/14	Push-in fitting	QSM-M7-6-l	QS-1/8-8-l	QS-1/4-10-l
		1/11 on left	Push-in fitting	QS-1/8-8-l	QS-1/4-10-l	QS-3/8-12-l
With pneumatic multiple connector plate code: P, QQC						
	Y	82/84	Silencers	U-M5	U-1/8-B	U-1/4-B
		12/14	Blanking plugs	B-M5	B-1/8	B-1/4
		3/5	Silencers	U-1/4-B	U-3/8-B	U-1/2-B
		1/11 on left	Push-in fitting	QS-1/8-8-l	QS-1/4-10-l	QS-3/8-12-l
		11 on right	Blanking plugs	B-1/8	B-1/4	B-3/8
	Z	82/84	Silencers	U-M5	U-1/8-B	U-1/4-B
		3/5	Silencers	U-1/4-B	U-3/8-B	U-1/2-B
		12/14	Push-in fitting	QSM-M5-6-l	QS-1/8-8-l	QS-1/4-10-l
		1/11 on left	Push-in fitting	QS-1/8-8-l	QS-1/4-10-l	QS-3/8-12-l

Valve terminals type 10 CPV, Compact Performance



Key features – Pneumatic components

Pneumatic connection: Fitting set for compressed air supply						
	Code	Port	Designation	Size 10	Size 14	Size 18
	Compressed air supply			QS6 Type	QS8 Type	QS10 Type
	Without pneumatic multiple connector plate					
	A, B	82/84	Blanking plugs	B-M5	B-1/8	B-1/4
		3/5	Blanking plugs	B-3/8	B-1/2	B-1/2
		1	Push-in fitting	QS-1/8-8-l	QS-1/4-10-l	QS-3/8-12-l
	C, D	82/84	Blanking plugs	B-M5	B-1/8	B-1/4
		3/5	Blanking plugs	B-3/8	B-1/2	B-1/2
		1	Push-in fitting	QS-1/8-8-l	QS-1/4-10-l	QS-3/8-12-l
		12/14	Push-in fitting	QSM-M5-6-l	QS-1/8-8-l	QS-1/4-10-l
	With pneumatic multiple connector plate code: M					
	E, F, H	82/84	Blanking plugs	B-M7	B-1/8	B-1/4
		3/5	Blanking plugs	B-1/4	B-3/8	B-1/2
		1/11	Push-in fitting	QS-1/8-8-l	QS-1/4-10-l	QS-3/8-12-l
		12/14	Push-in fitting	QSM-M7-6-l	QS-1/8-8-l	QS-1/4-10-l
	G, J, K	82/84	Blanking plugs	B-M7	B-1/8	B-1/4
		3/5	Blanking plugs	B-1/4	B-3/8	B-1/2
		on right in 1, left	Push-in fitting	QS-1/8-8-l	QS-1/4-10-l	QS-3/8-12-l
		on right in 11	Blanking plugs	B-1/8	B-1/4	B-3/8
		12/14	Blanking plugs	B-M7	B-1/8	B-1/4
	With pneumatic multiple connector plate code: P, GQC					
	E, F, H	82/84	Blanking plugs	B-M5	B-1/8	B-1/4
		3/5	Blanking plugs	B-1/4	B-3/8	B-1/2
		1/11	Push-in fitting	QS-1/8-8-l	QS-1/4-10-l	QS-3/8-12-l
		12/14	Push-in fitting	QSM-M5-6-l	QS-1/8-8-l	QS-1/4-10-l
	G, J, K	82/84	Blanking plugs	B-M5	B-1/8	B-1/4
3/5		Blanking plugs	B-1/4	B-3/8	B-1/2	
on right in 1, left		Push-in fitting	QS-1/8-8-l	QS-1/4-10-l	QS-3/8-12-l	
on right in 11		Blanking plugs	B-1/8	B-1/4	B-3/8	
12/14		Blanking plugs	B-M5	B-1/8	B-1/4	

Valve terminals for standard applications
Compact Performance

2.1

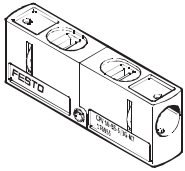
Valve terminals type 10 CPV, Compact Performance

Key features – Pneumatic components



CPV valve terminal size 10 and 14 with valve extensions

Functional modules

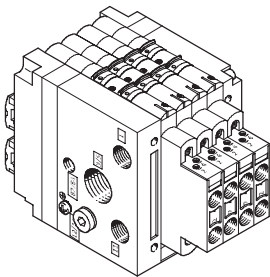


CPV10-BS-5/3G-M7
CPV14-BS-5/3G-1/8

Valve kit 5/3G for creating a 5/3-way function, mid-position closed, for size 10 and 14:
The valve function “mid-position closed” is created from one valve slice with 2x 3/2-way valve, normally closed (valve function code C).
The valve kit CPV10-BS-5/3G-M7 or CPV14-BS-5/3G-1/8 (incorporating a

double piloted non-return valve function) is used for this.
This valve kit is intended for applications with one working pressure level per valve slice, i.e. it may not be used in dual-pressure applications (where there are different pressure levels at port 1 and 11).

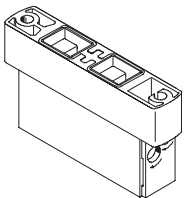
Additional functions for valve positions



These valve extensions (vertical linkage) can be used to add further pneumatic functions to CPV valve terminals size 10 and 14:

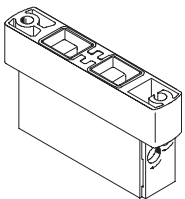
- Two one-way flow control valves for flow regulation directly at the valve terminal for
 - supply air flow control
 - exhaust air flow control
- The vacuum flow control module must be used with the vacuum generator with or without ejector pulse and provides a non-return function and adjustable ejector pulse.

The additional functions cannot be used in the first or last valve position in combination with the pneumatic multiple connector plate.



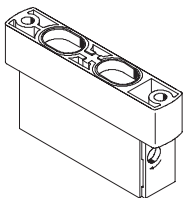
CPV10-BS-2xGRZZ-M7
CPV14-BS-2xGRZZ-1/8

- 2x one-way flow control valve for supply air flow control
- Additional function code P



CPV10-BS-2xGRAZ-M7
CPV14-BS-2xGRAZ-1/8

- 2x one-way flow control valve for exhaust air flow control
- Additional function code Q



CPV10-BS-GRZ-V-M7
CPV14-BS-GRZ-V-1/8

- Vacuum flow control module
- Additional function code V

Valve terminals type 10 CPV, Compact Performance

Key features – Assembly

Mounting options

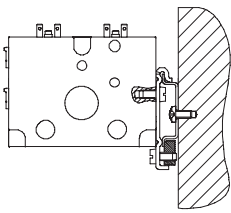
The valve terminals have holes for four mounting screws. In this case the mounting side is the side with the pneumatic threaded connectors. These holes are also used to mount the valve terminal on the pneumatic multiple connector plate.

There are other mounting options in addition to this mounting method:

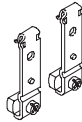
- H-rail mounting
- Wall mounting
- Wall mounting via flanged multiple connector plate
- On rear side via wall mounting
- On head side (CPV10/14 with IC connection only)
- Mounting via through-hole in wall

The attachments are mounted with a screw and fixing bolt on the left-hand and right-hand end plates.

H-rail: Mounting code H



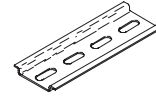
for valve terminal CPV10/14:
CPV10/14-VI-BG-NRH-35
(mounting code H)



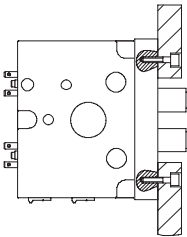
for valve terminal CPV18:
CPV18-VI-BG-NRH-35
(mounting code H)



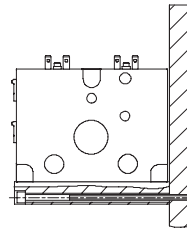
H-rail to EN 60715, not for accessories M, P, V (pneumatic multiple connector plate)



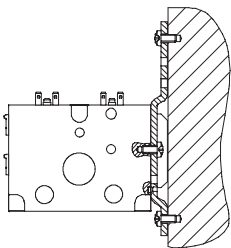
Through-hole in wall, for example on the machine



Wall mounting via pneumatic multiple connector plate



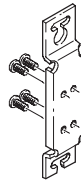
Attachment for wall mounting



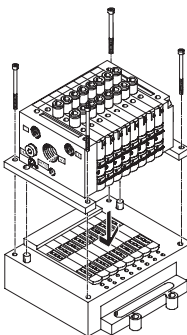
for valve terminal CPV10/14:
CPV10/14-VI-BG-RWL-B
(mounting code U)



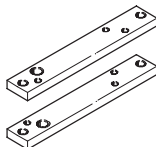
for valve terminal CPV18:
CPV18-VI-BG-RW
(mounting code W)



Attachment for individual connection (mounting code X) and ET200X (included in the scope of delivery)



for valve terminal CPV10/14:
CPV...-VI-BG-ET200X

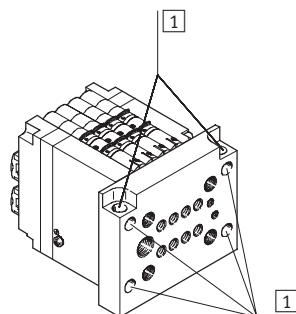


Valve terminals type 10 CPV, Compact Performance

Key features – Assembly

Pneumatic multiple connector plate for wall/machine mounting

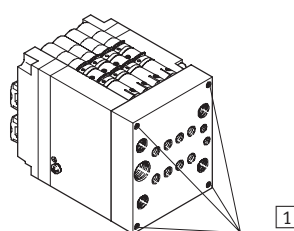
with flange, code P



1 Mounting holes

- Multiple connector plate projects past the end plates
- Through mounting holes (without thread) in the flange
- Two additional holes running crossways through this multiple connector plate also allow rear mounting of the CPV valve terminal

without flange, code M

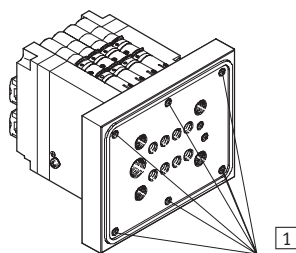


1 Mounting holes

- Multiple connector plate fits flush with the end plates
- Mounting holes (with thread) for wall or foot mounting are on the connection side of the pneumatic multiple connector plate

Pneumatic multiple connector plate for control cabinet assembly

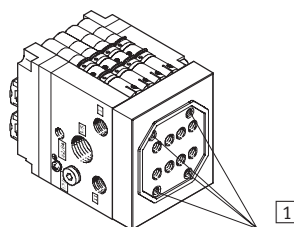
with supply connections, code GQC



1 Mounting holes

- Multiple connector plate projects past the end plates
- Mounting holes (with thread) in the flange
- Multiple connector plate with seal

without supply connections, code GQD



1 Mounting holes

- Multiple connector plate fits flush with the end plates
- The mounting holes (with thread) are on the connection side of the pneumatic multiple connector plate
- Multiple connector plate with seal

-  - Note

The outer valve slices cannot be equipped with valve extensions (e.g. one-way flow control valve) when using the pneumatic multiple

connector plate with mounting flange. CPV valve terminals with flat plate silencers are only suitable for wall mounting.

Valve terminals type 10 CPV, Compact Performance

Key features – Display and operation


Manual override tool

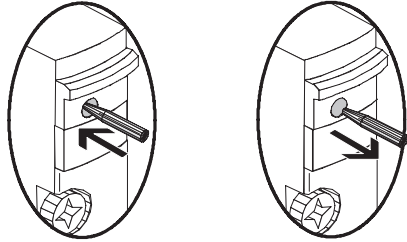
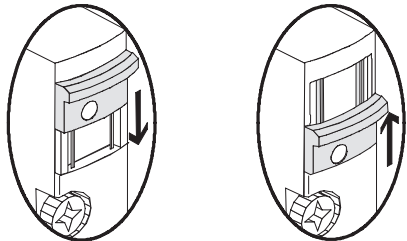
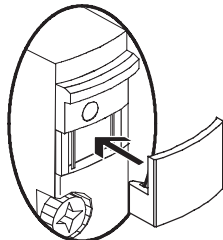
Three types of manual override are available:

- Non-detenting (pushing)
- Detenting
- Blocked

A subsequent conversion of the manual override (MO) from non-detenting to detenting or blocked is possible at any time.

The locking clip on the valve must be removed to this end. This is only possible after the individual valve has been removed or the tie rod of the valve terminal has been released.

 Note
See the user documentation for instructions.

Code	Graphic symbol	Size			Note
		10	14	18	
N	Manual override, pushing 	■	■	■	In the “non-detenting” version, the blue slide is held via a locking clip. A pointed object (e.g. pen, etc.) can be used to activate the MO through the opening.
R	Manual override, detenting 	■	■	■	In the “detenting” version, the locking clip is removed and the manual override is activated by pushing the slide down. The non-detenting function can be realised by re-installing the locking clip.
V	Manual override, blocked 	■	■	■	In the “blocked” version, non-detenting and detenting activation of the MO is prevented by means of a cover. Like the push-in locking clip, this cover can be added subsequently, but cannot be detached from the valve once this has been done.

Valve terminals type 10 CPV, Compact Performance

Key features – Display and operation

Display and operation

You will find the following LEDs for displaying the switching status on the electrical connections of the CPV valve terminal:

- Display of the switching status of the pilot solenoid coil 12 for output 2
- Display of the switching status of the pilot solenoid coil 14 for output 4

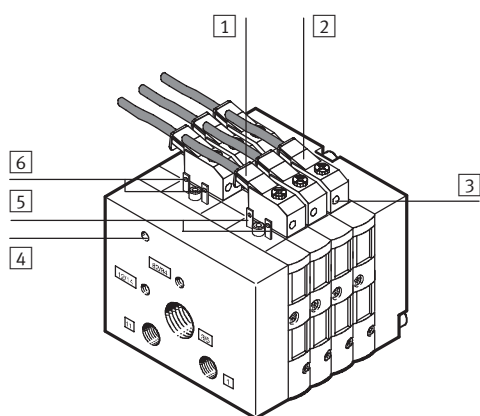
- Readable from the “top” as well as from the “front”

The individual connection has an LED in the connector plug to display the switching status.

Inscription labels

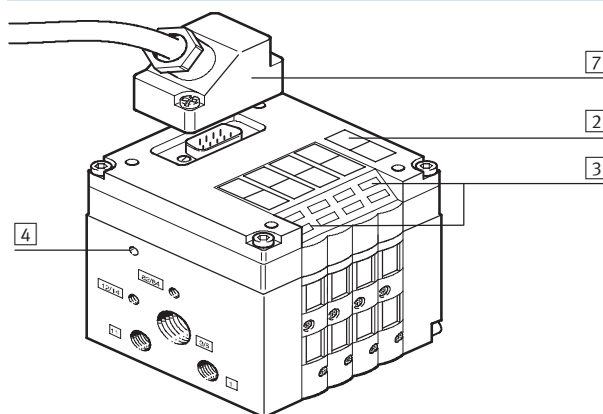
- Clip with inscription field on cable socket (with individual connection)
- Inscription clips on connection node (multi-pin plug, AS-interface, CP installation system, Fieldbus Direct)

CPV valve terminal with individual connection



- 1 Pre-assembled connection socket for each pilot solenoid coil
- 2 Inscription label (for each connection socket)
- 3 Yellow LED, signal status display for pilot solenoid coils (for each connection socket)
- 4 Earth terminal

CPV valve terminal with multi-pin plug connection



- 4 Earth terminal
- 5 Terminal lug for solenoid coil 14
- 6 Terminal lug for solenoid coil 12
- 7 Sub-D multi-pin plug (9-pin for valve terminals with 4 valves, 25-pin for valve terminals with 6 or 8 valves)

Valve terminals type 10 CPV, Compact Performance

Key features – Display and operation



Inscription system

Inscription labels can be affixed as follows:

- On the top of the electrical interface unit
- On the inscription label holder

The inscription label holder permits the addition of inscription labels, protects the manual overrides and prevents them from being accidentally activated. The inscription labels are used to record additional information regarding the valves.

The inscription label holders can be ordered together with the valve terminal using the order code. The relevant inscription labels are supplied in a frame and are ordered separately.

Transparent inscription label holder

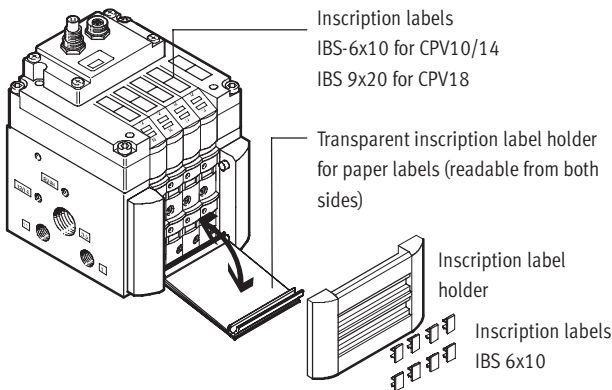
The transparent inscription label holder CPV...-VI-ST... offers a further labelling option, for example for large paper labels that can be read from both sides.

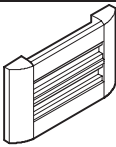
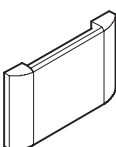
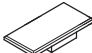
The inscription label holder cannot be used together with the relay plate.



Note

The Word templates for CPV label holders can be found at:
www.festo.com/en/engineering



Ordering data				
	Code	Designation	Type	Part No.
Inscription label holder				
	Z	Holder for inscription labels	CPV...-VI-BZ-T...	Dependent on the number of valve positions → 4 / 2.1-60
	T	Holder for inscription labels, transparent	CPV...-VI-ST-T...	
Inscription labels				
	-	6x10 mm, 64 pieces in frames	IBS-6x10	18 576
	-	9x20 mm, 20 pieces in frames	IBS-9x20	18 182

Valve terminals type 10 CPV, Compact Performance

Key features – Electrical components



Valve terminals for standard applications
Compact Performance

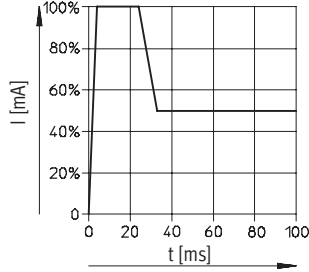
2.1

Electrical connection

Contacts which are fitted on the top of the valve slice form the interface for various electrical connection options. The electrical connection is attached from above using a screw. This means

that the valve terminal can be adapted to different electrical requirements or fieldbus protocols using the same pneumatic part.

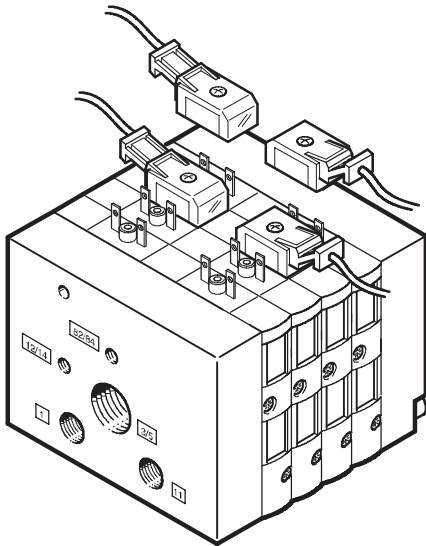
Electrical power



CPV10/14 valves are actuated by means of an integrated current reduction circuit, which reduces power consumption and heat build-up. This current reduction circuit is integrated in the electrical interface unit (multi-pin plug or fieldbus connection) or in the individual connecting cable.

During switch-off, the voltage peaks are limited to 38 V DC.

Individual connection



Integration is only carried out in the pneumatic part with individual connection whereby the solenoid valves are connected with individual cables.

Ordering data					
	Code	Designation		Type	Part No.
Plug socket with cable for individual connection, electrical, for CPV10/14					
	D	Plug socket with cable (suitable for chain link trunking)	2.5 m	KMYZ-7-24-2,5-LED-PUR	193 683
	E	Plug socket with cable (suitable for chain link trunking)	5 m	KMYZ-7-24-5-LED-PUR	193 685
	F	Plug socket with cable (suitable for chain link trunking)	10 m	KMYZ-7-24-10-LED-PUR	196 070
Plug socket with cable for individual connection, electrical, for CPV18					
	D	Plug socket cable	2.5 m	KMEB-2-24-2,5-LED	174 844
	E		5 m	KMEB-2-24-5-LED	174 845

Note
Connecting cables are pre-assembled. They include a protective circuit and an LED indicating the operating status.

Valve terminals type 10 CPV, Compact Performance

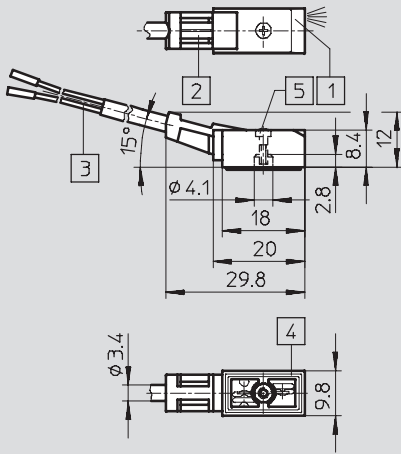
Key features – Electrical components



Dimensions – Connecting cable for individual connection

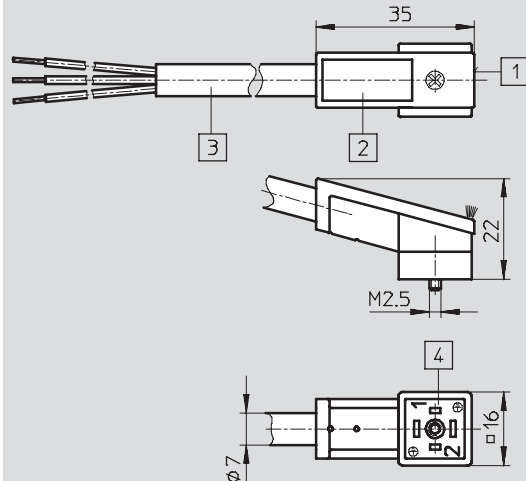
Download CAD data → www.festo.com/en/engineering

KMYZ-7-24-...



- 1 LED illuminated area
- 2 Location for inscription label
- 3 2-wire cable 2.5 m, 5 m or 10 m (2x 0.25 mm²)
- 4 Connection pattern for MZC
- 5 Mounting screw max. tightening torque 0.35 Nm (self-tapping KB 18x7)

KMEB-2-24-...-LED

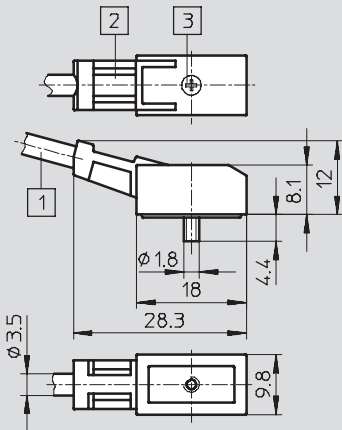


- 1 LED illuminated area
- 2 Inscription label IBS-9x20, Part No. 18 182
- 3 3-wire cable 2.5 or 5 m (3x 0.75 mm²)
- 4 Connection pattern to DIN 43650 type C

Dimensions – Connecting cable for relay plate

Download CAD data → www.festo.com/en/engineering

KRP-1-24-...



- 1 Cable 2x 0.25 mm²
- 2 Location for inscription labels (order code IBS 6x10, Part No. 18 576)
- 3 Mounting screw (self-tapping KB 1.8x9)

Valve terminals for standard applications
Compact Performance

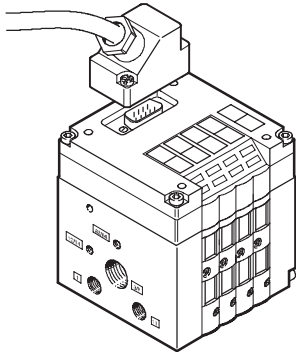
2.1

Valve terminals type 10 CPV, Compact Performance

Key features – Electrical components



Multi-pin plug connection



In addition to pneumatic integration, multi-pin plug connection provides integration of the electrical side as well, and facilitates connection to the control cabinet and the valve terminal via a single cable.

Sub-D 9-pin and 25-pin plugs are used for connection. The plug housing of the KMP-... cable provides the Sub-D connectors with IP65 protection.

The following sizes of plug connector are used:

- 4-fold valve terminal: 9-pin
- 6-fold valve terminal: 25-pin
- 8-fold valve terminal: 25-pin

Pre-assembled connecting cables are available for easy connection. Standard lengths of 5 m and 10 m can be supplied. The pre-assembled connecting cables are also available in a design suitable for chain link trunking.

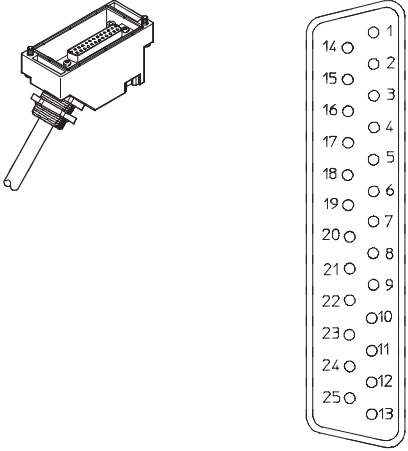
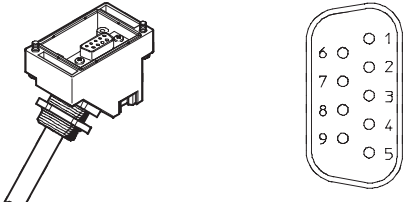
The cable KMP6-... can alternatively be used for applications with IP40 protection.

Ordering data

	Code	Designation	Type		Part No.			
Multi-pin plug cable								
	Y	Plug socket (Sub-D plug can be crimped), for self-assembly	9-pin		SD-SUB-D-BU9	18 708		
			25-pin		SD-SUB-D-BU25	18 709		
	R	Connecting cable, IP65, polyvinyl chloride	9-pin		5 m	KMP3-9P-08-5	18 698	
			25-pin			KMP3-25P-16-5	18 624	
			9-pin		10 m	KMP3-9P-08-10	18 579	
			25-pin			KMP3-25P-16-10	18 625	
	S	-	Connecting cable, IP65, polyurethane (suitable for chain link trunking)	9-pin		5 m	KMP4-9P-5-PUR	193 014
				25-pin			KMP4-25P-5-PUR	193 018
	-	-	Connecting cable, IP65, polyurethane (suitable for chain link trunking)	9-pin		10 m	KMP4-9P-10-PUR	193 015
				25-pin			KMP4-25P-10-PUR	193 019
	-	-	Connecting cable, IP65, polyvinyl chloride (suitable for chain link trunking)	9-pin		5 m	KMP4-9P-5-PVC	193 012
				25-pin			KMP4-25P-5-PVC	193 016
				9-pin		10 m	KMP4-9P-10-PVC	193 013
				25-pin			KMP4-25P-10-PVC	193 017
-	-	Connecting cable, IP40, polyvinyl chloride only for CPV10/14	9-pin		2.5 m	KMP6-09P-8-2,5	531 184	
			25-pin			KMP6-25P-20-2,5	530046	
			9-pin		5 m	KMP6-09P-8-5	531 185	
			25-pin			KMP6-25P-20-5	530 047	
			9-pin		10 m	KMP6-09P-8-10	531 186	
			25-pin			KMP6-25P-20-10	530 048	

Valve terminals type 10 CPV, Compact Performance

Key features – Electrical components

Pin allocation – Pre-assembled multi-pin cable (viewed from plug-in direction)			
Plug view	Pin	Core color	Valve 24 V DC
Cable KMP3-25P-16... or KMP4-25P... with 25-pin Sub-D plug for 6-fold and 8-fold valve terminal			
	1	White	1
	2	Green	12
	3	Yellow	2
	4	Grey	14
	5	Pink	3
	6	Blue	12
	7	Red	4
	8	Purple	14
	9	Grey-pink	12
	10	Red-blue	5
	11	White-green	14
	12	Brown-green	12
	13	White-yellow	7
	14	Yellow-brown	14
	15	White-grey	12
	16	Grey-brown	8
	17	White-pink (KMP4 only)	14
	18	Pink-brown (KMP4 only)	12
	19	White-blue (KMP4 only)	
	20	Brown-blue (KMP4 only)	
	21	White-red (KMP4 only)	
	22	Brown-red (KMP4 only)	
	23	White-black (KMP4 only)	
	24	Brown	(0 V) ¹⁾
	25	Black	(0 V) ¹⁾
Cable KMP3-9P... or KMP4-9P... with 9-pin Sub-D plug for 4-fold valve terminal			
	1	White	1
	2	Green	12
	3	Yellow	2
	4	Grey	14
	5	Pink	3
	6	Blue	12
	7	Red	4
	8	Purple	14
	9	Black	Common

1) 0 V for positive switching control signals; connect 24 V for negative switching control signals; mixed operation is not permitted.

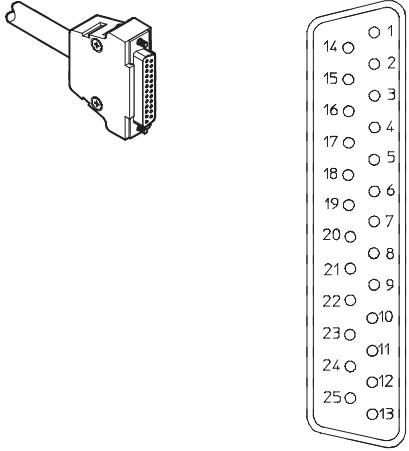
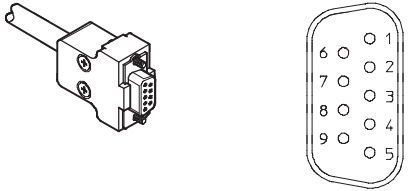
Valve terminals type 10 CPV, Compact Performance

Key features – Electrical components



Valve terminals for standard applications
Compact Performance

2.1

Pin allocation – Pre-assembled multi-pin cable (viewed from plug-in direction)			
Plug view	Pin	Core color	Valve 24 V DC
Cable KMP6-25P-20... with 25-pin Sub-D plug for 6-fold and 8-fold valve terminals			
	1	White	1
	2	Brown	12
	3	Green	2
	4	Yellow	14
	5	Grey	3
	6	Pink	12
	7	Blue	4
	8	Red	14
	9	Black	5
	10	Purple	12
	11	Grey-pink	6
	12	Red-blue	12
	13	White-green	7
	14	Brown-green	12
	15	White-yellow	8
	16	Yellow-brown	14
	17	White-grey	12
	18	Grey-brown	
	19	White-pink	
	20	Pink-brown	
	21	White-blue ¹⁾	
	22	Brown-blue ¹⁾	
	23	White-red ¹⁾	
	24	Brown-red ¹⁾	(0 V) ²⁾
	25	White-black ¹⁾	(0 V) ²⁾
Cable KMP6-9P-20... with 9-pin Sub-D plug for 4-fold valve terminals			
	1	White	1
	2	Brown	12
	3	Green	2
	4	Yellow	14
	5	Grey	3
	6	Pink	12
	7	Blue	4
	8	Red	14
	9	Black	Common

1) Wire cross section 0.34 mm²

2) 0 V for positive switching control signals; connect 24 V for negative switching control signals; mixed operation is not permitted.

Valve terminals type 10 CPV, Compact Performance

Key features – Electrical components

Valve terminal type 10 – AS-interface valve terminal

The AS-interface facilitates the spatial distribution of individual components or small component groups. The AS-interface connection of valve terminal type 10 can be used to control 2, 4, 8 solenoid coils. The valve terminal cover contains the LEDs which indicate the operating status and the protective circuit for the valves.

The standard AS-interface protocol permits a maximum of 4 inputs and 4 outputs in one unit. The use of 2 AS-interface slaves in one valve terminal means that 8 inputs and 8 outputs can be controlled in an 8-fold valve terminal (8 solenoid coils). All CPV valve terminals can be operated using additional functions, e.g. relay plates or vacuum generators.

Valve terminals CPV with inputs are also available for A/B operation to SPEC 2.1 and 3.0.

AS-interface control

- For 2, 4 or 8 valves
- Great variety thanks to the wide range of modules in the system

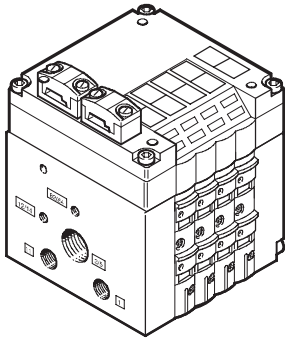
AS-interface with A/B operation

- For 3 or 4 and/or 6 or 8 valves as per the specification
- All of the benefits of the simple installation system are retained

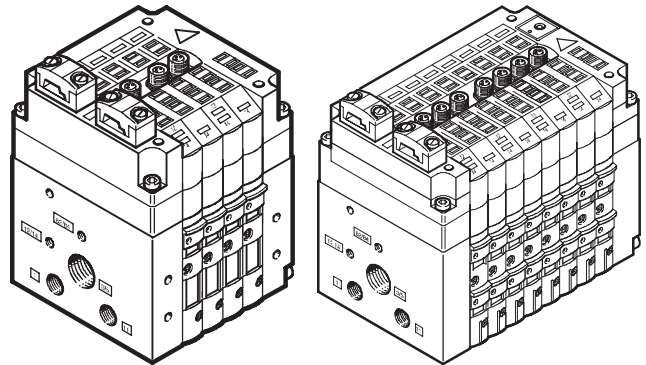
- 100% more inputs/master
- 50% more outputs/master
- Improved diagnosis of peripheral errors
- More AS-interface functions in Specifications 2.1 and 3.0.

➔ AS-interface components
4 / 4.9-277

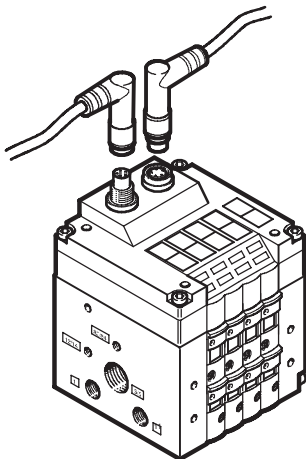
AS-interface valve terminal with auxiliary power supply



AS-interface valve terminal with auxiliary power supply and inputs



CP/CPI installation system, valve terminal



Integration of valve terminal type 10 into a fieldbus system or independent control system is accomplished by connecting the terminals to the corresponding fieldbus node or control block with simple, pre-assembled terminal connectors.

The installation system integrates the valve terminal CPV and various I/O modules, etc. into a single installation concept.

The 5-pin connecting cables carry the supply power and control signals. The valve terminal cover contains the LEDs which indicate the operating status and the protective circuits for the valves.

- Max. 8 valve slices for up to 16 CPV valves

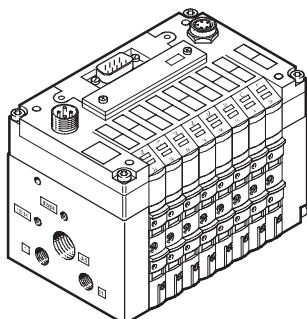
The CP string is used to exchange the input and output states of the connected modules with the CP fieldbus node.

➔ Installation system CPI
4 / 4.6-1

Valve terminals type 10 CPV, Compact Performance

Key features – Electrical components

Fieldbus Direct valve terminal



Fieldbus Direct is a system for the connection of one valve terminal to nine different fieldbus standards. The most important systems including Profibus, Interbus, DeviceNet and CANopen are supported.

The CP string extension option allows the functions and components of the CPI installation system to be used.

The optional string extension allows additional valve terminals and I/O modules with CP/CPI function to be connected to the Fieldbus Direct fieldbus node.

The valve terminals are available in all three sizes, 10, 14 and 18 mm, each with 8 valve slices.

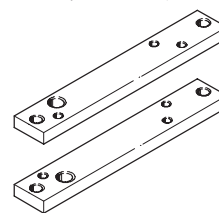
➔ CPV with Fieldbus Direct 4 / 4.7-1

ET200X pneumatic interface for CPV10 and CPV14

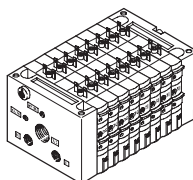
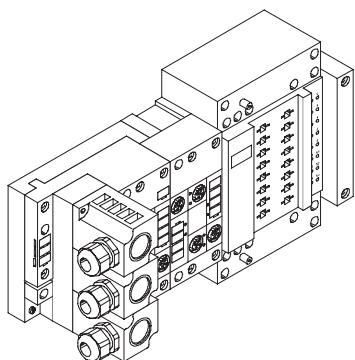
Adaptation of CPV valve terminal to Siemens ET200X I/O module. The combination of the ET200X functional modules and the pneumatic functions of the CPV valve terminal provides a highly integrateable automation solution for systems using electrical and pneumatic drives with:

- 8 valve slices for up to 16 CPV valves
- Faster and more reliable contacting
- CPV 10 and CPV 14 valve terminals
- High degree of protection IP65/IP67
- Modular design
- Large number of I/O modules
 - digital I/O
 - analogue I/O
 - supply branching for activation of AC motors
- PROFIBUS DP interface

Mounting kit for ET200X CPV-...-VI-BG-ET200X (included in the scope of delivery)



Specific data on the ET200X pneumatic interface can be found in Siemens product catalogues.



 Note

A moulded seal is required for the valve terminal CPV10-ET200X in order to achieve the IP protection class.

The moulded seal CPV10-...-GE-8 or CPV14-...-GE-8 must be ordered separately.

Valve terminals type 10 CPV, Compact Performance

Instructions for use

FESTO

Equipment

Operate your equipment with unlubricated compressed air if possible. Festo valves and cylinders are designed for operation under normal use without any additional lubrication yet still maintain a long service life. The quality of compressed air downstream from the compressor must correspond to that of unlubricated compressed air. If possible, do not operate all of your equipment with lubricated compressed air. The lubricators should, where possible, always be installed directly upstream of the relevant actuator.

Incorrect additional oil and too high an oil content in the compressed air reduce the service life of the valve terminal.

Use Festo special oil OFSW-32 or the alternatives listed in the Festo catalogue (as specified in DIN 51524 HLP32; basic oil viscosity 32 CST at 40 °C).

Bio-oils

When using bio-oils (oils which are based upon synthetic or native ester, e.g. rapeseed oil methyl ester), the maximum residual oil content of 0.1 mg/m³ must not be exceeded (see ISO 8573-1 Class 2).


Mineral oils


When using mineral oils (e.g. HLP oils to DIN 51524, parts 1 through 3) or similar oils based on poly-alpha-olefins (PAO), the maximum residual oil content of 5 mg/m³ must not be exceeded (see ISO 8573-1 Class 4). A higher residual oil content irrespective of the compressor oil cannot be permitted, as the basic lubricant would be flushed out over time.

Valve terminals type 10 CPV, Compact Performance

Technical data



-  - Flow rates
 CPV10: 400 l/min
 CPV14: 800 l/min
 CPV18: 1,600 l/min

-  - Valve width
 CPV10: 10 mm
 CPV14: 14 mm
 CPV18: 18 mm

-  - Voltage
 24 V DC



Valve terminals for standard applications
Compact Performance

2.1

General technical data		CPV10	CPV14	CPV18
Design	Electromagnetically actuated piston spool valve			
Lubrication	Life-time lubrication, PWIS-free (free of paint-wetting impairment substances)			
Type of mounting	Via pneumatic multiple connector plate			
	Via backwall			
	On H-rail			
Assembly position	Any			
Manual override	Non-detenting/detenting/blocked			
Width	[mm]	10	14	18
Nominal size	[mm]	4	6	8
Nominal flow rate without fitting	[l/min]	400	800	1,600
Pneumatic connections ¹⁾				
Pneumatic connection	Via end plate			
Supply port	1/11	G ¹ / ₈	G ¹ / ₄	G ³ / ₈
Exhaust port	3/5	G ³ / ₈ (G ¹ / ₄)	G ¹ / ₂ (G ³ / ₈)	G ¹ / ₂
Working ports	2/4	M7	G ¹ / ₈	G ¹ / ₄
Pilot air supply port	12/14	M5 (M7)	G ¹ / ₄	G ¹ / ₄
Pilot exhaust air port	82/84	M5 (M7)	G ¹ / ₈	G ¹ / ₄

1) Connection dimensions in brackets for pneumatic multiple connector plate

Valve terminals type 10 CPV, Compact Performance

Technical data

Operating and environmental conditions											
Valve function order code	M	F	J	N	C	H	G	D	I	A	E
Operating medium	Filtered compressed air, lubricated or unlubricated, inert gases → 4 / 2.1-35										
Grade of filtration [µm]	40 (average pore size)										
Operating pressure internal pilot air supply [bar]	3 ... 8										
Operating pressure external pilot air supply [bar]	-0.9 ... +10										
Ambient temperature [°C]	-5 ... +50 (vacuum generators: 0 ... +50)										
Temperature of medium [°C]	-5 ... +50 (vacuum generators: 0 ... +50)										
Storage temperature [°C]	-20 ... +40										
Relative air humidity at 25 °C [%]	95 with no condensation										
Corrosion resistance class CRC ¹⁾	2 (vacuum generators 1)										

- 1) Corrosion resistance class 1 as per Festo standard 940 070
 Components requiring low corrosion resistance. Transport and storage protection. Parts that do not have primarily decorative surface requirements, e.g. in internal areas that are not visible or behind covers.
 Corrosion resistance class 2 as per Festo standard 940 070
 Components subject to moderate corrosion stress. Externally visible parts with primarily decorative surface requirements which are in direct contact with a normal industrial environment or media such as coolants or lubricating agents.

Valve response times [ms]												
Valve function order code	M	F	J	N	C	H	G	D	I	A	E	
CPV10												
Switching times	on	17	13	-	17	17	17	20	15	15	-	15
	off	27	17	-	25	25	25	30	17	17	-	17
	chan-ge-over	-	-	10	-	-	-	-	-	-	-	-
CPV14												
Switching times	on	25	-	-	24	24	24	22	13	13	-	13
	off	35	-	-	30	30	30	30	16	16	-	16
	chan-ge-over	-	-	12	-	-	-	-	-	-	-	-
CPV18												
Switching times	on	18	-	-	18	18	18	14	14	14	-	14
	off	26	-	-	24	24	24	32	20	20	-	20
	chan-ge-over	-	-	12	-	-	-	-	-	-	-	-

Valve terminals type 10 CPV, Compact Performance



Technical data

Valve terminals for standard applications
Compact Performance

2.1

Electrical data		CPV10	CPV14	CPV18
Operating voltage	[V]	24 DC (+10/-15%)		
Edge steepness (IC and MP only)	[V/ms]	> 0.4 minimum voltage increase time to reach the high-current phase		
Limitation of the voltage peaks when switching off	[V]	38 DC		
Residual ripple	[Vss]	4		
Electrical power consumption	[W]	0.6 (0.45 at 21 V); (with CPV10-M11H... 0.65)	0.9 (0.65 at 21 V)	1.5 (0.95 at 21 V)
Duty cycle	[%]	100%		
With pilot air supply	[bar]	-0.9 ... +10		
Protection against electric shock (protection against direct and indirect contact to EN 60204-1/IEC 204)		By means of PELV power supply unit		
ATEX symbol		II 3GD EEx nA II T5 T 80°C		
ATEX ambient temperature		-5°C ≤ Ta ≤ +50°C		
Certification		c UL us Recognized (HL)		
		c UL us Recognized (OL)		
CE mark		To EU EMC directive		
		In accordance with EU explosion protection directive (ATEX)		
Protection class to EN 60529		IP65 (for all types of signal transmission in assembled state)		

Relay plate		CPV10	CPV14	CPV18
Operating voltage	[V]	20.4 ... 26.4 DC		-
Electrical power consumption		1.2 W		-
No. of relays		2 with galvanically isolated outputs		-
Load current circuit		Each 1 A/24 V DC +10%		-
Relay response times	on	5 ms		-
	off	2 ms		-

Valve terminals type 10 CPV, Compact Performance

FESTO

Technical data

Materials			
	CPV10	CPV14	CPV18
Basic electrical unit	Die-cast aluminium, polyamide, nitrile rubber		
Valve slices	Die-cast aluminium		
Valve module 5/3G	Cast aluminium, polyacetate		
Relay plate	Polyamide, brass		
Blanking plate/separator plate	Polyamide		
End plates	Die-cast aluminium		
Flat plate silencer	Die-cast aluminium, polyethylene		
Pneumatic multiple connector plate	Wrought aluminium alloy		
Inscription label holder	Polyacetate, polyvinyl chloride		
Seal	Nitrile rubber, hydrogenated nitrile rubber		

Product weight				
Approx. weights	[g]	CPV10	CPV14	CPV18
Electrical connection plates with AS-i connection				
• on CP valve terminals with 2 valve positions		85	130	275
• on CP valve terminals with 4 valve positions		110	175	355
• on CP valve terminals with 8 valve positions		400	460	–
Electrical connection plates with CP connection				
• on CP valve terminals with 4 valve positions		145	230	375
• on CP valve terminals with 6 valve positions		180	250	450
• on CP valve terminals with 8 valve positions		200	300	540
Electrical connection plates with MP connection				
• on CP valve terminals with 4 valve positions		110	170	400
• on CP valve terminals with 6 valve positions		140	230	425
• on CP valve terminals with 8 valve positions		165	275	515
End plates (2 pieces)		160	280	740
Pneumatic multiple connector plate				
• on CP valve terminals with 2 valve positions		120	270	520
• on CP valve terminals with 4 valve positions		165	390	750
• on CP valve terminals with 6 valve positions		225	510	870
• on CP valve terminals with 8 valve positions		270	630	1300
Flat plate silencer		147	234	–
Relay plate		35	55	–
Blanking plate		25	45	90
Separator plate		25	45	90
Valve sub-bases, vacuum generators		65	110	260
Functional module: 5/3G function		46	105	–
Functional module: One-way flow control valves		25	54	125

Valve terminals for standard applications
Compact Performance

2.1

Valve terminals type 10 CPV, Compact Performance

Technical data

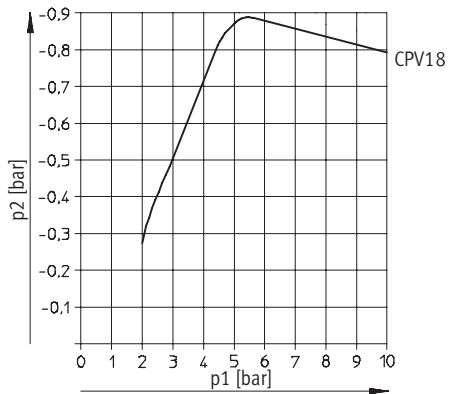
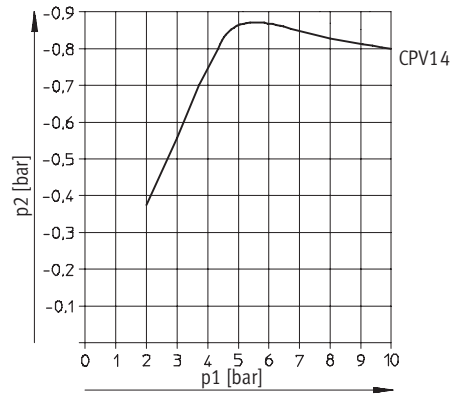
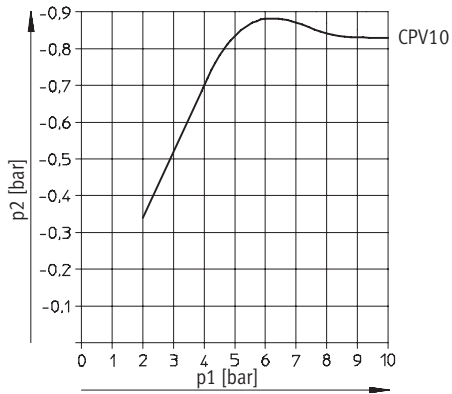


Valve terminals for standard applications
Compact Performance

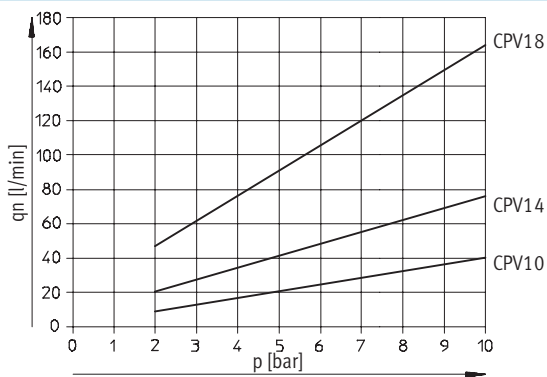
2.1

Vacuum generators

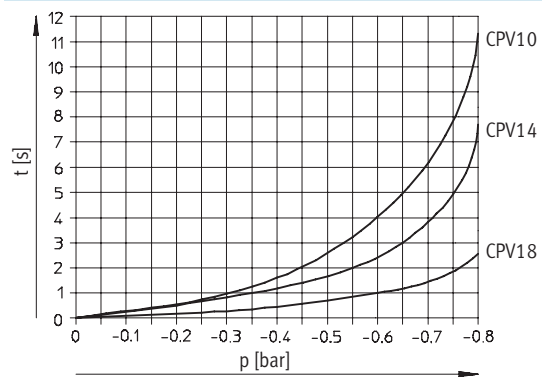
Vacuum as a function of operating pressure



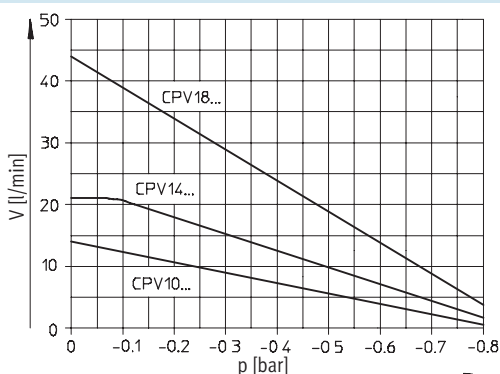
Air consumption as a function of operating pressure



Evacuation time for a volume of 1 litre at P_{nominal}



Suction capacity as a function of partial vacuum at P_{nominal}



Valve terminals type 10 CPV, Compact Performance

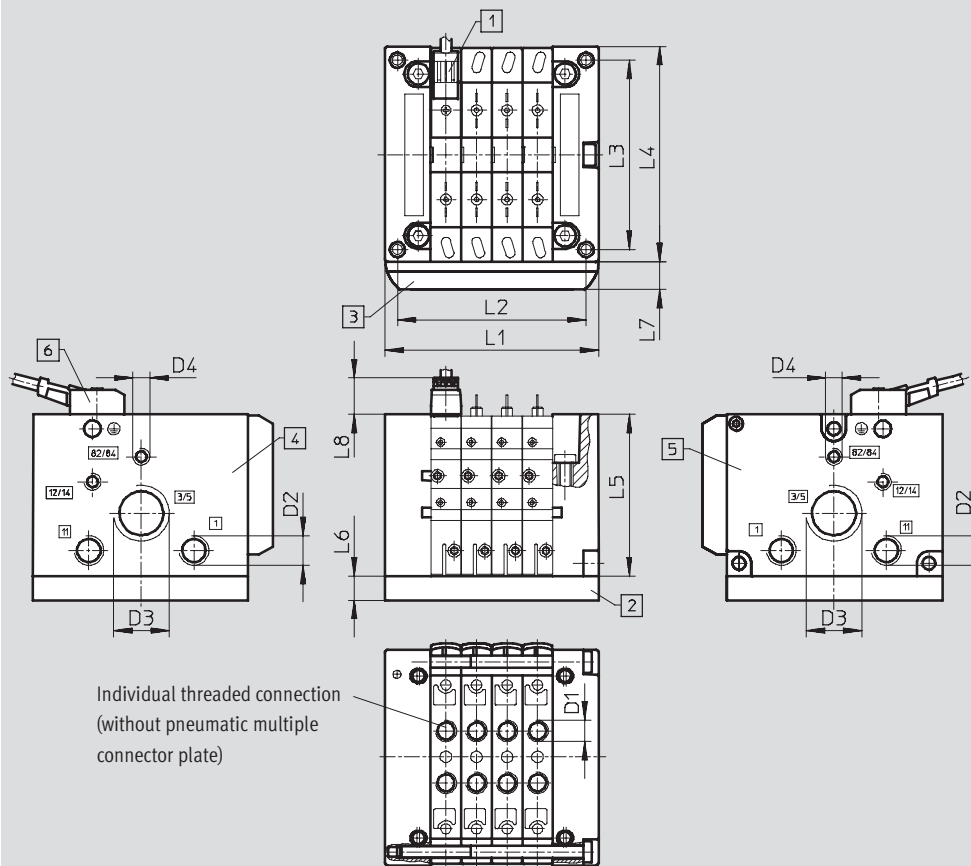
Technical data

FESTO

Dimensions

Download CAD data → www.festo.com/en/engineering

Valve terminal with individual connections – CPV10/14/18



Individual threaded connection
(without pneumatic multiple
connector plate)

- | | | | |
|---|--|--|--|
| <p>1 Slots for inscription labels</p> <p>2 Pneumatic multiple connector plate</p> | <p>3 Inscription label holder
(CPV10/14/18-VI-BZ-T... or
CPV10/14/18-VI-ST-T...)</p> | <p>4 Left-hand end plate (threaded
connection not in conjunction
with pneumatic multiple
connector plate)</p> <p>5 Right-hand end plate (threaded
connection not in conjunction
with pneumatic multiple
connector plate)</p> | <p>6 Plug socket with cable
KMYZ-7-... for CPV10/14
KMEB-2-... for CPV18</p> |
|---|--|--|--|

Valve terminals for standard applications
Compact Performance

2.1

Valve terminals type 10 CPV, Compact Performance



Technical data

Valve terminals for standard applications
Compact Performance

2.1

		L1	L2	L3	L4	L5	L6	L7	L8	D1	D2	D3	D4
CPV10	2-fold	50	41.8	62	71	52.8	15	9.5	11.8	M7	G $\frac{1}{8}$	G $\frac{3}{8}$	M5
	3-fold	60	51.8										
	4-fold	70	61.8										
	5-fold	80	71.8										
	6-fold	90	81.8										
	7-fold	100	91.8										
	8-fold	110	101.8										
CPV14	2-fold	68	58	78	89	58.8	20	9.5	11.8	G $\frac{1}{8}$	G $\frac{1}{4}$	G $\frac{1}{2}$	G $\frac{1}{8}$
	3-fold	82	72										
	4-fold	96	86										
	5-fold	110	100										
	6-fold	124	114										
	7-fold	138	128										
	8-fold	152	142										
CPV18	2-fold	96	85.5	106.5	118	73	20	9.5	21.6	G $\frac{1}{4}$	G $\frac{3}{8}$	G $\frac{1}{2}$	G $\frac{1}{4}$
	3-fold	114	103.5										
	4-fold	132	121.5										
	5-fold	150	139.5										
	6-fold	168	157.5										
	7-fold	186	175.5										
	8-fold	204	193.5										

Valve terminals type 10 CPV, Compact Performance

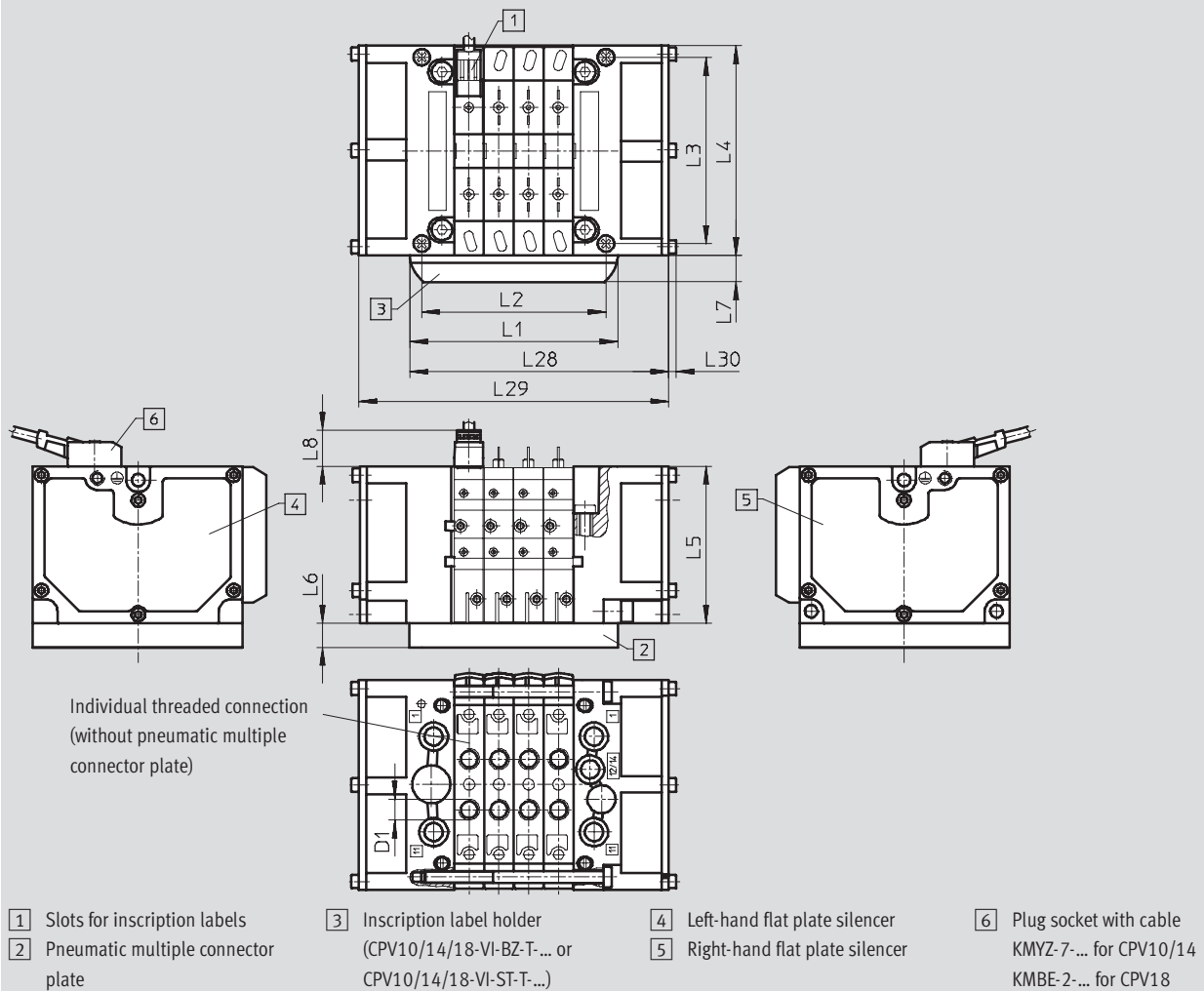
Technical data



Dimensions

Download CAD data → www.festo.com/en/engineering

Valve terminal with individual connections and flat plate silencers – CPV10/14/18



Valve terminals type 10 CPV, Compact Performance



Technical data

Valve terminals for standard applications
Compact Performance

2.1

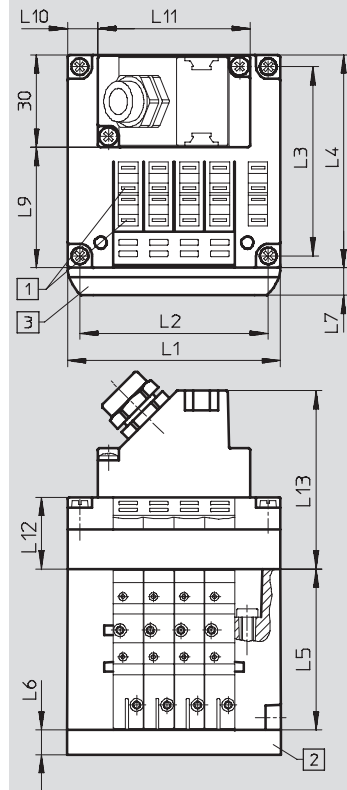
		L1	L2	L3	L4	L5	L6	L7	L8	L28	L29	L30	D1
CPV10	2-fold	50	41.8	62	71	52.8	15	9.5	11.8	67	84	2.5	M7
	3-fold	60	51.8							77	94		
	4-fold	70	61.8							87	104		
	5-fold	80	71.8							97	114		
	6-fold	90	81.8							107	124		
	7-fold	100	91.8							117	134		
	8-fold	110	101.8							127	144		
	CPV14	2-fold	68							58	78		
3-fold		82	72	99	116								
4-fold		96	86	113	130								
5-fold		110	100	127	144								
6-fold		124	114	141	158								
7-fold		138	128	155	172								
8-fold		152	142	169	186								
CPV18		2-fold	96	85.5	106.5	118	73	20	9.5	21.6		127	158
	3-fold	114	105.5	145							176		
	4-fold	132	121.5	163							194		
	5-fold	150	139.5	181							212		
	6-fold	168	157.5	199							230		
	7-fold	186	175.5	217							248		
	8-fold	204	193.5	235							266		

Valve terminals type 10 CPV, Compact Performance

Technical data

Dimensions Download CAD data → www.festo.com/en/engineering

Valve terminal with multi-pin plug connection – CPV10/14/18



- 1 Slots for inscription labels
- 2 Pneumatic multiple connector plate
- 3 Inscription label holder (CPV10/14/18-VI-BZ-T... or CPV10/14/18-VI-ST-T...)

	L1	L2	L3	L4	L5	L6	L7	L9	L10	L11	L12	L13	
CPV10	4-fold	70	61.8	62	71	52.8	15	9.5	39.5	10	50	23.5	58.8
	6-fold	90	81.8							10	70		
	8-fold	110	101.8							20	70		
CPV14	4-fold	96	86	78	89	58.8	20	9.5	61.8	23	50	23.5	58.8
	6-fold	124	114							27	70		
	8-fold	152	142							41	70		
CPV18	4-fold	132	121.5	106.5	118	73	20	9.5	88.4	41	50	28	63
	6-fold	168	157.5							49	70		
	8-fold	204	193.5							67	70		

Valve terminals type 10 CPV, Compact Performance



Technical data

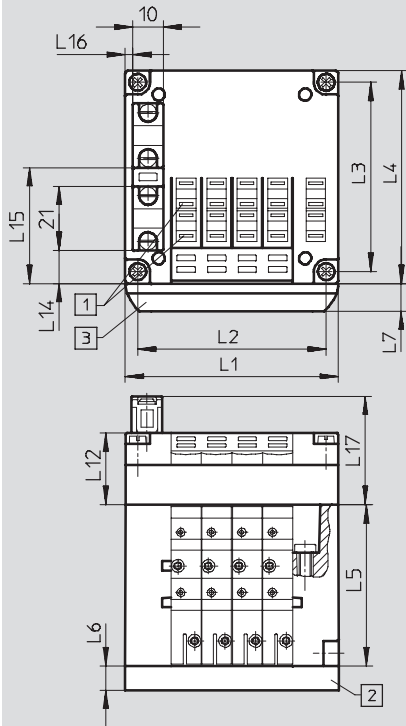
Valve terminals for standard applications
Compact Performance

2.1

Dimensions

Download CAD data → www.festo.com/en/engineering

Valve terminal with AS-interface connection – CPV10/14/18



- 1 Slots for inscription labels
- 2 Pneumatic multiple connector plate
- 3 Inscription label holder (CPV10/14/18-VI-BZ-T... or CPV10/14/18-VI-ST-T...)

		L1	L2	L3	L4	L5	L6	L7	L12	L14	L15	L16	L17
CPV10	2-fold	50	41.8	62	71	52.8	15	9.5	–	10.9	38.1	2.5	35.5
	4-fold	70	61.8						23.5				
	8-fold	110	101.8						–				
CPV14	2-fold	68	58	78	89	58.8	20	9.5	–	14	52	5	35.5
	4-fold	96	86						23.5				
	8-fold	152	142						–				
CPV18	2-fold	96	85.5	106.5	118	73	20	9.5	–	27.4	68.2	10.4	40
	4-fold	132	121.5						28				
	8-fold	204	193.5										

Valve terminals type 10 CPV, Compact Performance

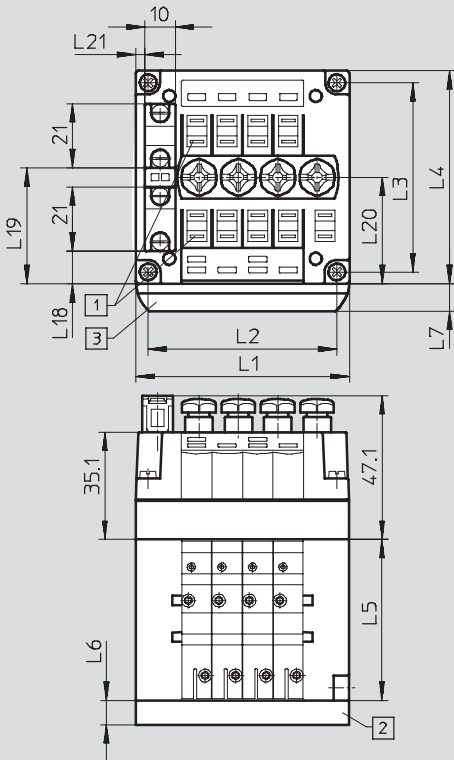
Technical data



Dimensions

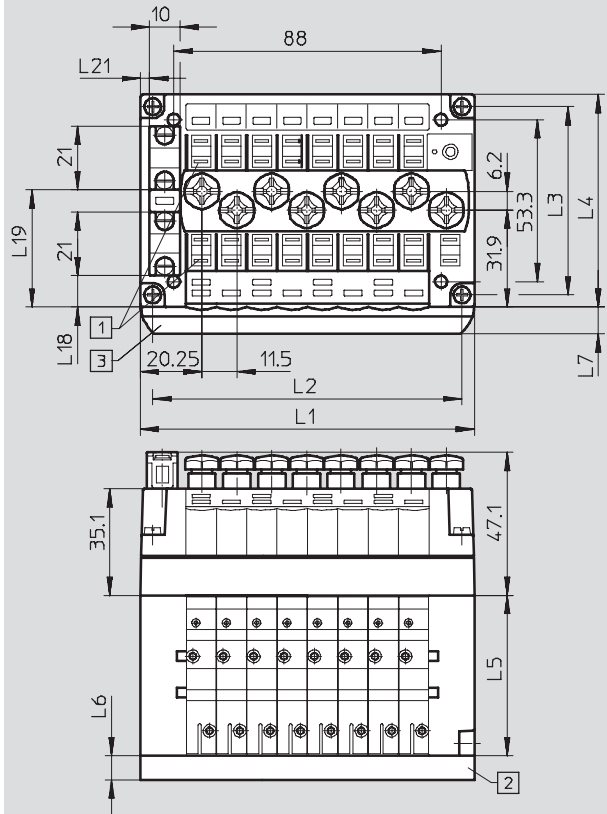
Download CAD data → www.festo.com/en/engineering

Valve terminal with AS-interface connection and additional inputs – CPV10/14



- 1 Slots for inscription labels
- 2 Pneumatic multiple connector plate
- 3 Inscription label holder (CPV10/14/18-VI-BZ-T... or CPV10/14/18-VI-ST-T...)

Valve terminal with AS-interface connection and additional inputs – CPV10



- 1 Slots for inscription labels
- 2 Pneumatic multiple connector plate
- 3 Inscription label holder (CPV10/14/18-VI-BZ-T... or CPV10/14/18-VI-ST-T...)

		L1	L2	L3	L4	L5	L6	L7	L18	L19	L20	L21
CPV10	4-fold	70	61.8	62	71	52.8	15	9.5	10.9	38.1	35	3
	8-fold	110	101.8						10.4	38.6	31.9	
CPV14	4-fold	96	86	78	89	58.8	20	9.5	18.8	46.8	43.3	5

Valve terminals for standard applications
Compact Performance

2.1

Valve terminals type 10 CPV, Compact Performance

Technical data



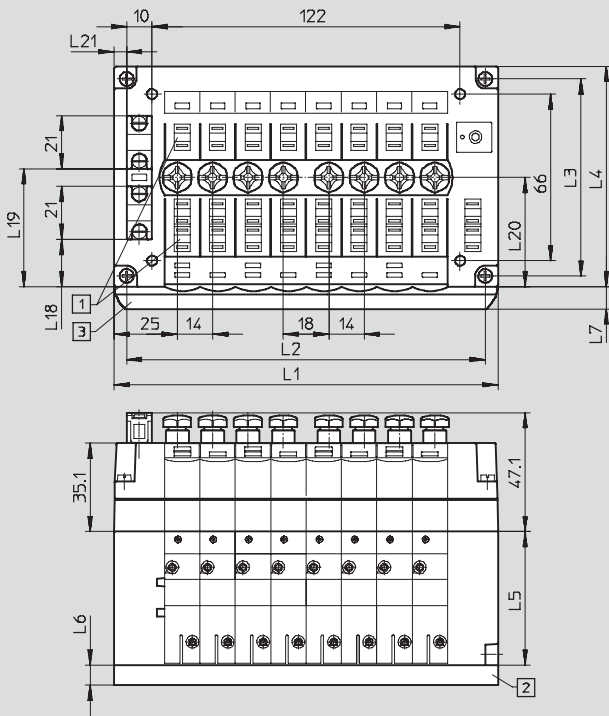
Valve terminals for standard applications
Compact Performance

2.1

Dimensions

Download CAD data → www.festo.com/en/engineering

Valve terminal with AS-interface connection and additional inputs – CPV14



- 1 Slots for inscription labels
- 2 Pneumatic multiple connector plate
- 3 Inscription label holder
(CPV10/14/18-VI-BZ-T... or
CPV10/14/18-VI-ST-T...)

		L1	L2	L3	L4	L5	L6	L7	L8	L9	L20	L21
CPV14	8-fold	152	142	78	89	58.8	20	9.5	18.8	46.8	46.3	5

Valve terminals type 10 CPV, Compact Performance

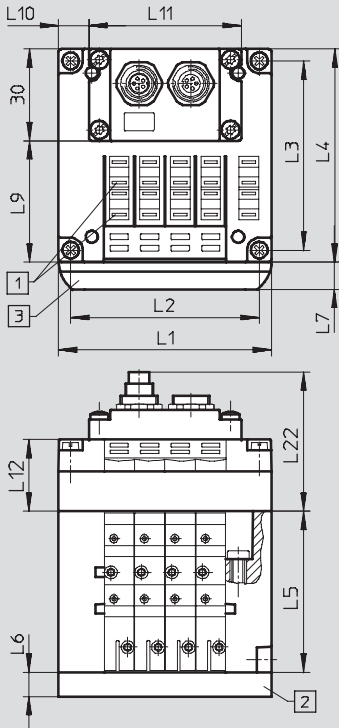
Technical data



Dimensions

Download CAD data → www.festo.com/en/engineering

Valve terminal with CPI installation system – CPV10/14/18



1 Slots for inscription labels

2 Pneumatic multiple connector plate

3 Inscription label holder
(CPV10/14/18-VI-BZ-T-... or
CPV10/14/18-VI-ST-T-...)

		L1	L2	L3	L4	L5	L6	L7	L9	L10	L11	L12	L22
CPV10	4-fold	70	61.8	62	71	52.8	15	9.5	39.5	10	50	23.5	46
	6-fold	90	81.8							10	70		
	8-fold	110	101.8							20	70		
CPV14	4-fold	96	86	78	89	58.8	20	9.5	61.8	23	50	23.5	46
	6-fold	124	114							27	70		
	8-fold	152	142							41	70		
CPV18	4-fold	132	121.5	106.5	118	73	20	9.5	88.4	41	50	28	50.5
	6-fold	168	157.5							49	70		
	8-fold	204	193.5							67	70		

Valve terminals for standard applications
Compact Performance

2.1

Valve terminals type 10 CPV, Compact Performance

Technical data



Valve terminals for standard applications
Compact Performance

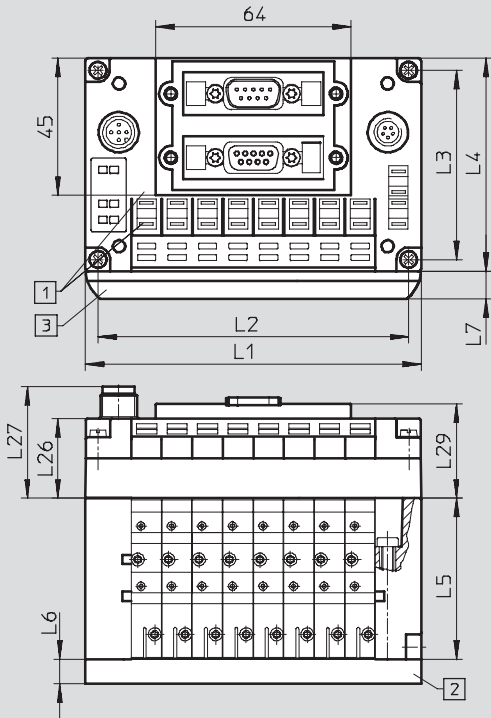
2.1

Dimensions

Download CAD data → www.festo.com/en/engineering

Valve terminal with Fieldbus Direct – CPV10/14/18

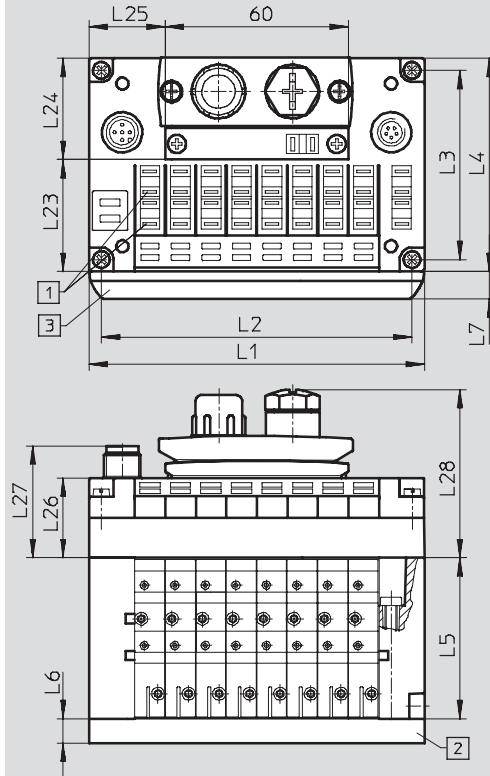
Interbus



- 1 Slots for inscription labels
- 2 Pneumatic multiple connector plate
- 3 Inscription label holder (type CPV10/14/18-VI-BZ-T... or CPV10/14/18-VI-ST-T...)

Valve terminal with Fieldbus Direct – CPV10/14/18

DeviceNet, CANopen, CC-Link



- 1 Slots for inscription labels
- 2 Pneumatic multiple connector plate
- 3 Inscription label holder (type CPV10/14/18-VI-BZ-T... or CPV10/14/18-VI-ST-T...)

		L1	L2	L3	L4	L5	L6	L7	L23	L24	L25	L26	L27	L28	L29
CPV10	8-fold	110	101.8	62	71	52.8	15	9.5	35.8	34.6	25	26.2	36.7	55.1	30.9
CPV14	8-fold	152	142	78	89	58.8	20	9.5	52.8	34.6	46	26.2	36.7	55.1	30.9
CPV18	8-fold	204	193.5	106.5	118	73	20	9.5	79.8	36.6	72	31.2	41.7	59.6	35.9

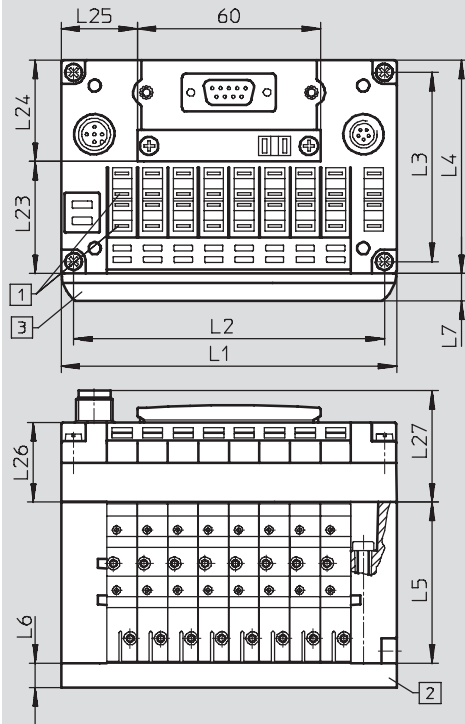
Valve terminals type 10 CPV, Compact Performance

Technical data



Dimensions Download CAD data → www.festo.com/en/engineering

Valve terminal with Fieldbus Direct – CPV10/14/18
 Profibus DP including Festo fieldbus, ABB CS31, Moeller Suconet K



- 1 Slots for inscription labels
- 2 Pneumatic multiple connector plate
- 3 Inscription label holder (CPV10/14/18-VI-BZ-T... or CPV10/14/18-VI-ST-T...)

		L1	L2	L3	L4	L5	L6	L7	L23	L24	L25	L26	L27
CPV10	8-fold	110	101.8	62	71	52.8	15	9.5	35.5	34.6	25	26.2	36.7
CPV14	8-fold	152	142	78	89	58.8	20	9.5	52.8	34.6	46	26.2	36.7
CPV18	8-fold	204	193.5	106.5	118	73	20	9.5	79.8	36.6	72	31.2	41.7

Valve terminals for standard applications
 Compact Performance
2.1

Valve terminals type 10 CPV, Compact Performance

Technical data



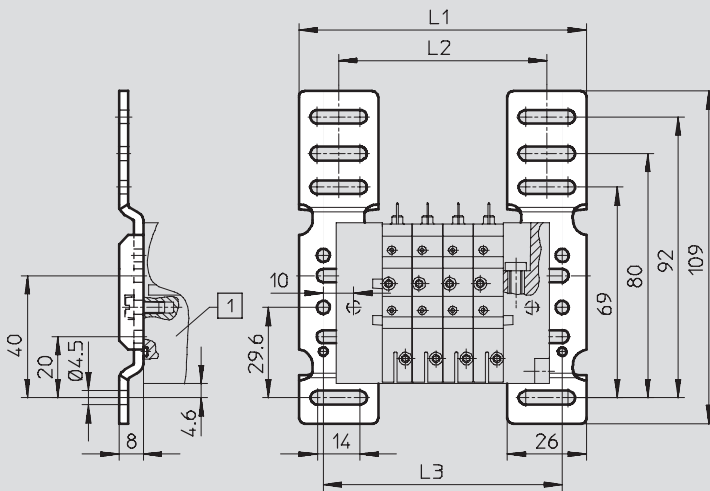
Valve terminals for standard applications
Compact Performance

2.1

Dimensions

Download CAD data → www.festo.com/en/engineering

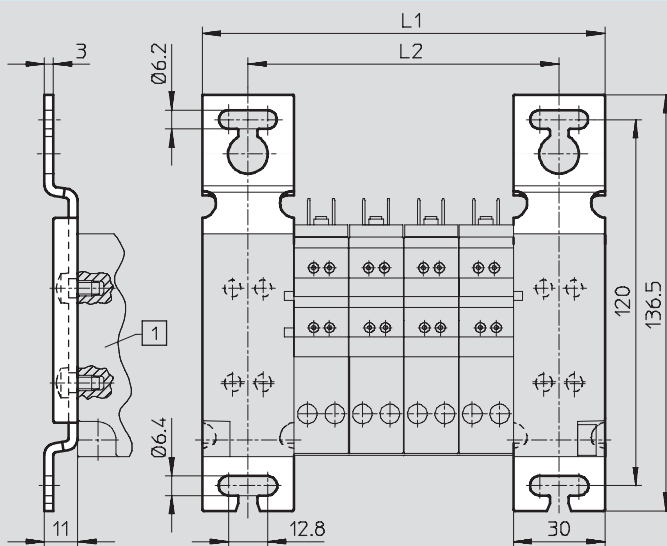
Wall mounting CPV10/14-VI-BG-RWL-B for CPV10/14



1 Valve terminal CPV-...

	CPV10							CPV14						
	2-fold	3-fold	4-fold	5-fold	6-fold	7-fold	8-fold	2-fold	3-fold	4-fold	5-fold	6-fold	7-fold	8-fold
L1	74	84	94	104	114	124	134	90	104	118	132	146	160	174
L2	48	58	68	78	88	98	108	64	78	92	106	120	134	148
L3	58	68	78	88	98	108	118	74	88	102	116	130	144	158

Wall mounting CPV18-VI-BG-RW for CPV18



1 Valve terminal CPV-...

	CPV18						
	2-fold	3-fold	4-fold	5-fold	6-fold	7-fold	8-fold
L1	96	114	132	150	168	186	204
L2	66	84	102	120	138	156	174

Valve terminals type 10 CPV, Compact Performance

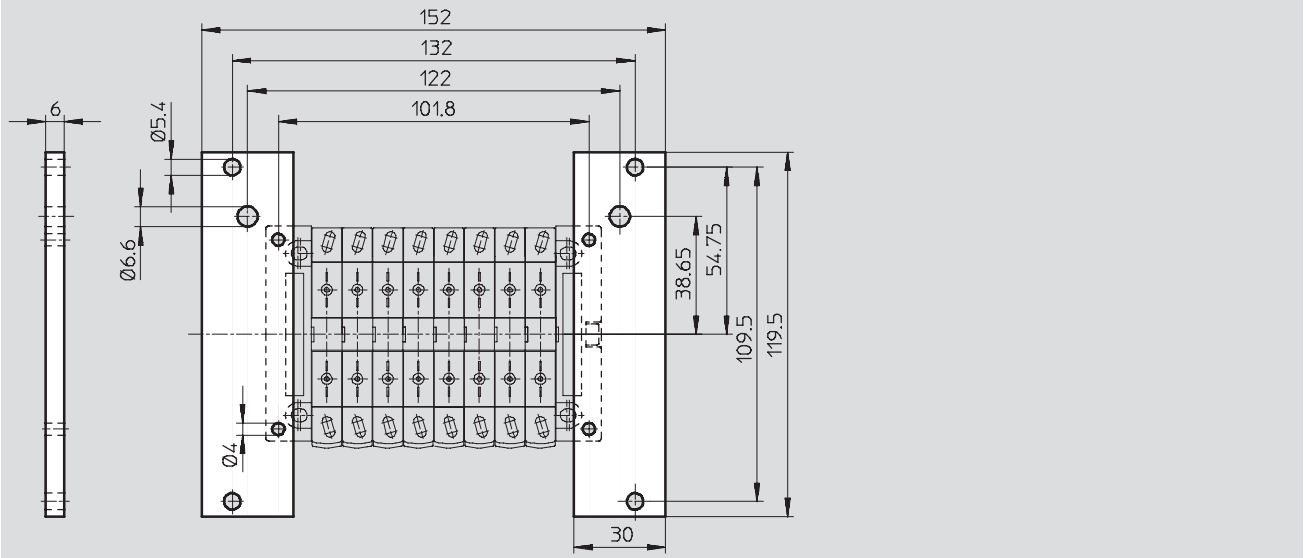
Technical data



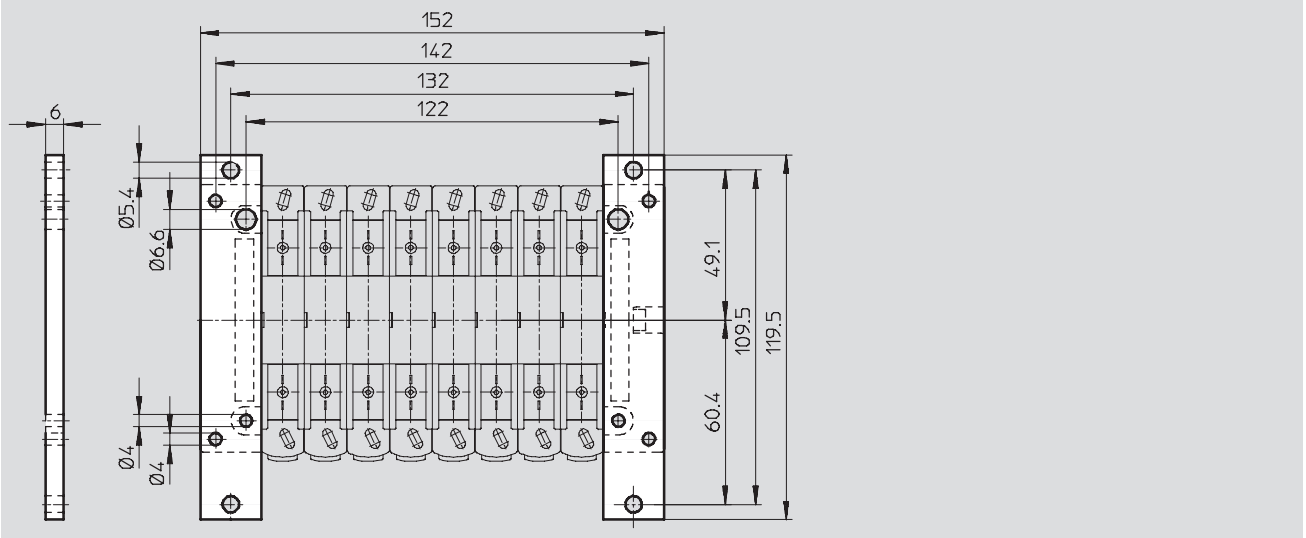
Dimensions

Download CAD data → www.festo.com/en/engineering

Attachment CPV10-VI-BG-ET200X for individual connection and ET200X



Attachment CPV14-VI-BG-ET200X for individual connection and ET200X



Valve terminals for standard applications
Compact Performance

2.1

Valve terminals type 10 CPV, Compact Performance

Technical data



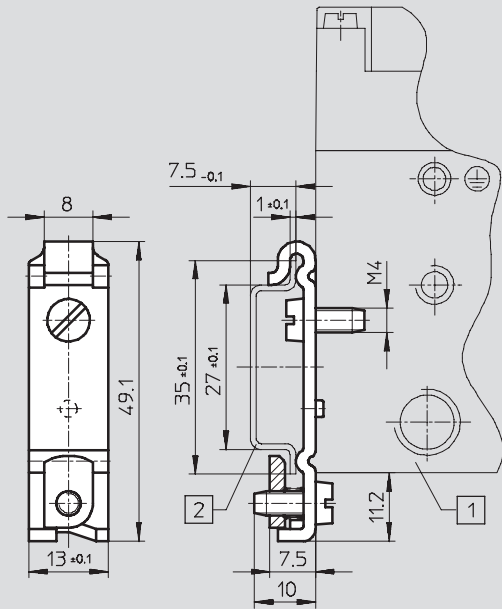
Valve terminals for standard applications
Compact Performance

2.1

Dimensions

Download CAD data → www.festo.com/en/engineering

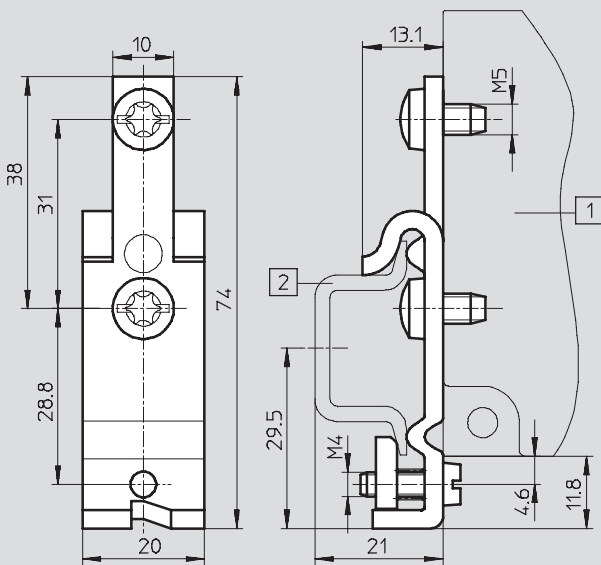
Attachment for H-rail mounting CPV10/14-VI-BG-NRH-35



1 Valve terminal CPV10/14

2 H-rail to EN 60715

Attachment for H-rail mounting CPV18-VI-BG-NRH-35



1 Valve terminal CPV18

2 H-rail to EN 60715

Valve terminals type 10 CPV, Compact Performance

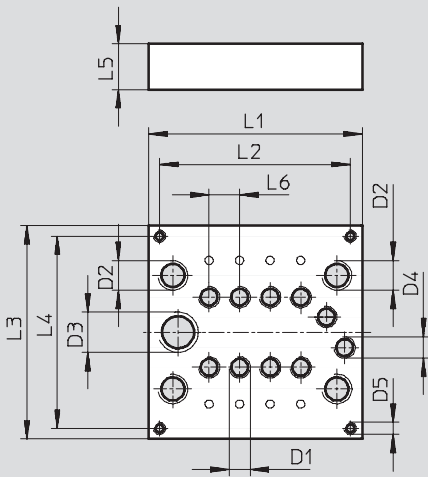
Technical data



Dimensions

Download CAD data → www.festo.com/en/engineering

Pneumatic multiple connector plate – CPV10/14/18



		L1	L2	L3	L4	L5	L6	D1	D2	D3	D4	D5
CPV10	2-fold	49.5	42.5	70	63	15	10	M7	G $\frac{1}{8}$	G $\frac{1}{4}$	M7	M4
	4-fold	69.5	62.5									
	6-fold	89.5	82.5									
	8-fold	109.5	102.5									
CPV14	2-fold	67.5	53.5	86.6	76.6	20	14	G $\frac{1}{8}$	G $\frac{1}{4}$	G $\frac{3}{8}$	G $\frac{1}{8}$	M4
	4-fold	95.5	81.5									
	6-fold	123.5	109.5									
	8-fold	151.5	137.5									
CPV18	2-fold	95.5	87.5	119.6	108	20	18	G $\frac{1}{4}$	G $\frac{3}{8}$	G $\frac{1}{2}$	G $\frac{1}{4}$	M5
	4-fold	131	123									
	6-fold	167	159									
	8-fold	203	195									

Valve terminals for standard applications
Compact Performance

2.1

Valve terminals type 10 CPV, Compact Performance



Technical data

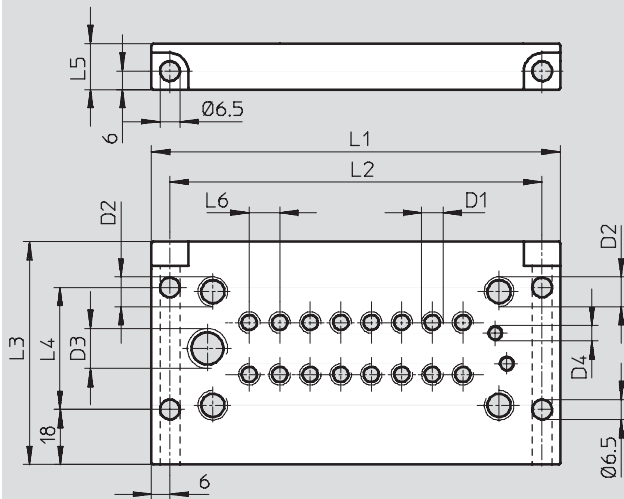
Valve terminals for standard applications
Compact Performance

2.1

Dimensions

Download CAD data → www.festo.com/en/engineering

Flanged pneumatic multiple connector plate – CPV10/14/18



		L1	L2	L3	L4	L5	L6	D1	D2	D3	D4
CPV10	2-fold	74	62	73	40	15	10	M7	G $\frac{1}{8}$	G $\frac{1}{4}$	M5
	4-fold	94	82								
	6-fold	114	102								
	8-fold	134	122								
CPV14	2-fold	92	80	89	59	20	14	G $\frac{1}{8}$	G $\frac{1}{4}$	G $\frac{3}{8}$	G $\frac{1}{8}$
	4-fold	120	108								
	6-fold	148	136								
	8-fold	176	164								
CPV18	2-fold	119	107	118	88	20	18	G $\frac{1}{4}$	G $\frac{3}{8}$	G $\frac{1}{2}$	G $\frac{1}{4}$
	4-fold	155	143								
	6-fold	191	179								
	8-fold	227	215								

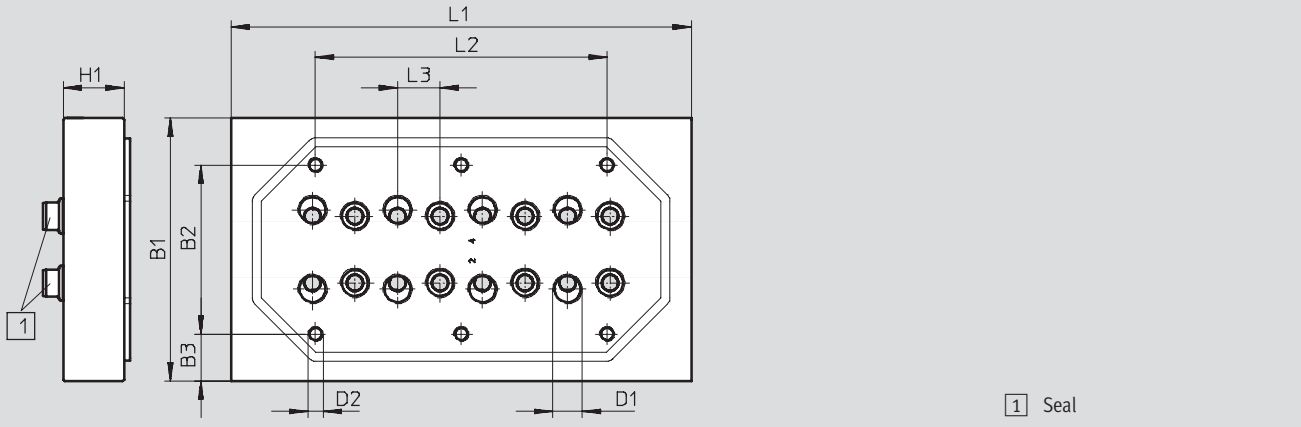
Valve terminals type 10 CPV, Compact Performance

Technical data



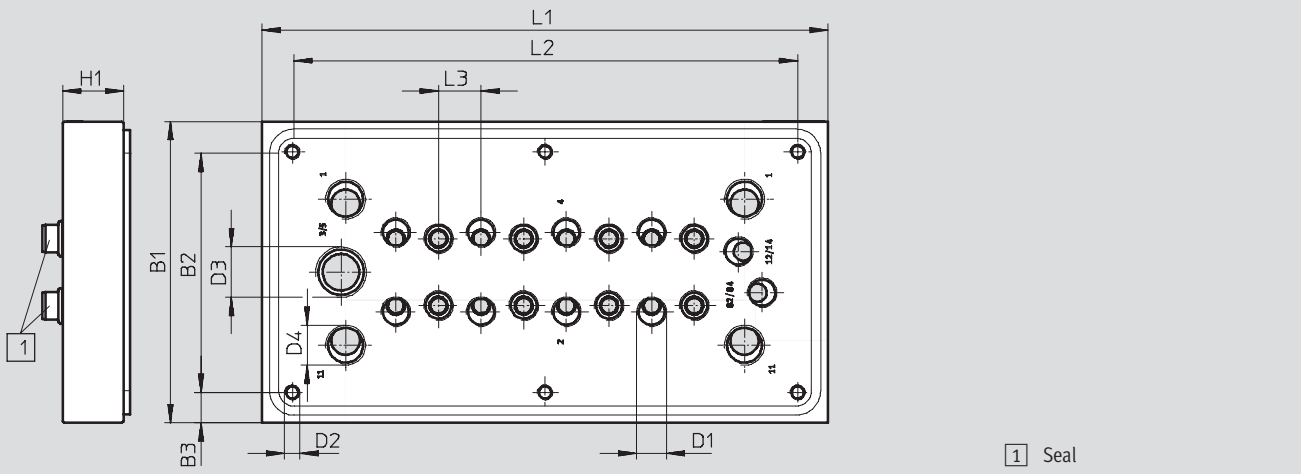
Dimensions Download CAD data → www.festo.com/en/engineering

Pneumatic multiple connector plate for control cabinet installation, without supply connections – CPV10/14



		L1	L2	L3	B1	B2	B3	D1	D2	H1
CPV10	2-fold	49.5	–	10	70	40	15	M7	M5	10
	4-fold	69.5	28							
	6-fold	89.5	49							
	8-fold	109.5	68							
CPV14	2-fold	67.5	13	14	86.6	55.6	15.5	G $\frac{1}{8}$	M5	14
	4-fold	95.5	40							
	6-fold	123.5	68							
	8-fold	151.5	96							

Pneumatic multiple connector plate for control cabinet installation, without supply connections – CPV10/14



		L1	L2	L3	B1	B2	B3	D1	D2	D3	D4	H1
CPV10	2-fold	82	62	10	84	64	10	M7	M5	G $\frac{1}{4}$	G $\frac{1}{8}$	15
	4-fold	102	82									
	6-fold	122	102									
	8-fold	142	122									
CPV14	2-fold	102	82	14	99	79	10	G $\frac{1}{8}$	M5	G $\frac{3}{8}$	G $\frac{1}{4}$	20
	4-fold	130	110									
	6-fold	158	138									
	8-fold	186	166									

Valve terminals for standard applications
Compact Performance

2.1

Valve terminals type 10 CPV, Compact Performance



Technical data

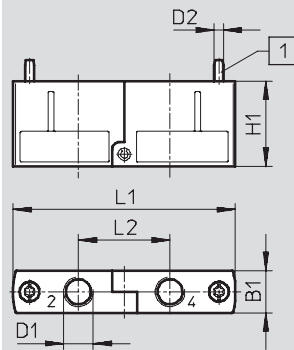
Valve terminals for standard applications
Compact Performance

2.1

Dimensions

Download CAD data → www.festo.com/en/engineering

Valve kit for 5/3 function – CPV10/14

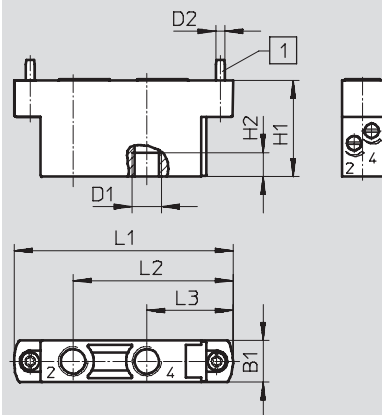


1 Mounting screw supplied loose

Type	B1	D1	D2	H1	L1	L2
CPV10-BS-5/3G-M7	9.9	M7	M2.5	22	55.8	23
CPV14-BS-5/3G-1/8	13.8	G1/8	M3	28	72.8	30

Additional one-way flow control valve function – CPV10/14

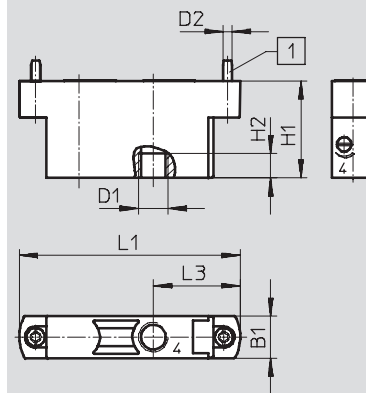
CPV10/14-...-BS-2xGR-...-



1 Mounting screw supplied loose

Additional one-way flow control valve function for vacuum – CPV10/14

CPV-...-BS-2xGRZ-V-...



Type	B1	D1	D2	H1	H2	L1	L2	L3
CPV10-BS-2xGR...-M7	9.9	M7	M2.5	26	6	55.8	41.4	22.9
CPV10-BS-2xGRZ-V...-M7							-	
CPV14-BS-2xGR...-1/8	13.8	G1/8	M3	32	8	72.8	53.15	28.65
CPV14-BS-2xGRZ-V...-1/8							-	

Valve terminals type 10 CPV, Compact Performance

Technical data



Dimensions Download CAD data → www.festo.com/en/engineering

Fieldbus connector FBS-SUB-9-BU-2x4POL

1 Valve terminal with Fieldbus Direct CPV10/14/18 and fieldbus node for DeviceNet and CANopen

2 Sub-D socket, 9-pin

	CPV10	CPV14	CPV18
	8-fold	8-fold	8-fold
L1	24.5	45.5	71.5

Fieldbus connector FBSD-KL-2x5PIN

1 Valve terminal with Fieldbus Direct CPV10/14/18 and fieldbus node for DeviceNet and CANopen

2 Sub-D socket, 9-pin

3 Fieldbus connection FBSD-KL-2x5pin

	CPV10	CPV14	CPV18
	8-fold	8-fold	8-fold
L1	24	45	71

Valve terminals for standard applications
Compact Performance

2.1

Valve terminals type 10 CPV, Compact Performance – Individual connection



Ordering data – Modular products

Valve terminals for standard applications
Compact Performance

2.1

M Mandatory data →

Module No.	Valve terminal, pneumatic part	Size	No. of valve positions	Working ports	Electrical connection	Manual override	Compressed air supply
18 200	10P	10	2 ... 8	A, B, C	IC	N, R, V	U, V, W, X, Y, Z, A, B, C, D, E, F, G, H, J, K
18 210		14					
18 220		18					
Ordering example							
18 200	10P	10	8	C	IC	N	U
1	2	3	4	5	6	7	8

Ordering table

Size	10	14	18	Conditions	Code	Enter code	
M 1	Module No.	18 200	18 210	18 220			
	Basic configuration						
2	Valve terminal, pneumatic part	Valve terminal type 10, CPV				10P	10P
3	Size	10	14	18	-...		
4	No. of valve positions	2, 3, 4, 5, 6, 7, 8			-...		
5	Working ports	Large QS push-in connectors for working port (QS6) (QS8) (QS10)		[1]	A		
Small QS push-in connectors for working port (QS4) (QS6) (QS8)		[1]	B				
Thread for working port (M7) (G1/8) (G1/4)			C				
6	Electrical connection	Individual electrical connection				-IC	-IC
7	Manual override	Non-detenting				-N	
Detenting					-R		
Blocked					-V		
8	Compressed air supply	Internal pilot air supply, supply at right, ducted exhaust air				-U	
Internal pilot air supply, supply at left, ducted exhaust air					-V		
External pilot air supply, supply at right, ducted exhaust air					-W		
External pilot air supply, supply at left, ducted exhaust air					-X		
Compressed air supply via end plates or pneumatic multiple connector plate		Internal pilot air supply, supply at both ends, ducted exhaust air			-Y		
External pilot air supply, supply at both ends, ducted exhaust air					-Z		
Compressed air supply via end plates, with flat plate silencer		Internal pilot air supply, supply at right, flat plate silencer			-A		
Internal pilot air supply, supply at left, flat plate silencer					-B		
External pilot air supply, supply at right, flat plate silencer					-C		
External pilot air supply, supply at left, flat plate silencer					-D		
Compressed air supply via pneumatic multiple connector plate with flat plate silencer		External pilot air supply, supply at both ends, flat plate silencer at right		[2]	-E		
External pilot air supply, supply at both ends, flat plate silencer at left				[2]	-F		
Internal pilot air supply, supply at both ends, flat plate silencer at left				[2]	-G		
External pilot air supply, supply at both ends, flat plate silencers at both ends				[2]	-H		
Internal pilot air supply, supply at both ends, flat plate silencers at both ends				[2]	-J		
Internal pilot air supply, supply at both ends, flat plate silencer at right				[2]	-K		

[1] **A, B** Not if the other equipment consists solely of valve function T, S (plate with duct separation) and L (blanking plate)

[2] **E, F, G, H, J, K**

Only with pneumatic multiple connector plate M, P, GQC, GQD, V as an accessory.
Only with an even number of valve positions

Transfer order code

	10P	-		-		-	IC	-		-		
1	2		3		4		5		6		7	8

Valve terminals type 10 CPV, Compact Performance – Individual connection



Ordering data – Modular products

→ M Mandatory data →

Equipment at valve position 0 ... 7

9 Valve functions: M, J, N, C, H, G, D, I, F, A, E, T, S, L

O Options

10 Additional functions at pneumatic valve position 0 ... 7: P, Q, V

Valve position

0	1	2	3	4	5	6	7
M	M	M	M	M	M	M	J

9 + 10

Ordering table		10	14	18	Condi- tions	Code	Enter code
↓	Equipment at valve position 0 ... 7				3	-	-
M	9 Valve functions	5/2-way valve, single solenoid				M	Enter the pneumatic equipment selected in the order code
		5/2-way valve, double solenoid				J	
		2x 3/2-way valve, normally open				N	
		2x 3/2-way valve, normally closed				C	
		2x 3/2-way valve, 1x normally closed, 1x open				H	
		5/3-way valve, mid-position closed			4	G	
		2x 2/2-way valve, normally closed				D	
		2x 2/2-way valve, 1x normally closed, 1x open				I	
		5/2-way valve, single solenoid, fast-switching	-	-		F	
		Vacuum generators			5	A	
		Vacuum generator with ejector pulse			5	E	
		Plate with duct separation, 1/11 closed			6	T	
		Plate with duct separation 1/11 and 3/5 closed			6 7	S	
		Vacant position				L	
O	10 Additional function at valve position 0 ... 7	2x one-way flow control valve, supply air	-	-	8	P	
		2x one-way flow control valve, exhaust air	-	-	8	Q	
↓		Vacuum flow control module	-	-	8 9	V	

3 Equipment at valve position 0 ... 7

Valve positions must be equipped throughout without any gaps

4 G

Not with pneumatic multiple connector plate V (specially prepared pneumatic multiple connector plate) as an accessory

For sizes 10 and 14, not in first or last valve position with pneumatic multiple connector plate M, P as an accessory

5 A, E

Note air supply and exhaust when using more than 2 vacuum generators

6 T, S

Only one valve function T or S (plate with duct separation) possible per valve terminal, but not in first or last valve position and only with compressed air supply Y, Z, E, F, G, H, J, K (supply air at both ends); the equipment to the right must consist of more than valve function L (blanking plate)

7 S

If the equipment to the right of S consists solely of valve function D, I (2x 2/2-way valve), L (blanking plate), then only with compressed air supply Y, Z, F, G and pneumatic multiple connector plate M, P as an accessory. Cannot be combined with valve function G (5/3-way valve).

8 P, Q, V

Not in first or last valve position with pneumatic multiple connector plate M, P as an accessory

9 V

Must be combined with valve function D, I (2x 2/2-way valve), E (vacuum generator with ejector pulse)

Transfer order code

0	1	2	3	4	5	6	7
-							

9 + 10

Valve terminals type 10 CPV, Compact Performance – Individual connection



Ordering data – Modular products

Options						
Accessories	Pneumatic multiple connector plate	Inscription label holder	Module retainer	Connecting cable for individual connection	Fitting set for end plates	User documentation
	M, P, GQC, GQD, V	Z, T	H, W, U, X	...D, ...E, ...F	A	D, E, F, I, S, V
+						-
	11					12

Ordering table								
Size	10	14	18	Condi-tions	Code	Enter code		
↓	Accessories						+	+
0 11	Pneumatic multiple connector plate	Standard pneumatic multiple connector plate		10	M			
		Flanged pneumatic multiple connector plate		10	P			
		Pneumatic multiple connector plate, with sealing ring, with supply connections		10 11	GQC			
		Pneumatic multiple connector plate, with sealing ring, without supply connections		11 12	GQD			
		Specially prepared pneumatic multiple connector plate		10 13	V			
	Inscription label holder	For inscription labels			Z			
		Transparent			T			
	Module retainer	H-rail mounting			H			
		-	-	Wall mounting	W			
		Wall mounting		-	U			
Mounting kit for ET200X		-	X					
Connecting cable for individual connection	2.5 m	1 ... 99			...D			
	5 m	1 ... 99			...E			
	10 m	1 ... 99		-	...F			
Fitting set for end plates	Connector and silencer		14	A				
12	User documentation	German			-D			
		English			-E			
		French			-F			
		Italian			-I			
		Spanish			-S			
		Swedish			-V			

- 10 M, P, GQC, V Only with an even number of valve positions and only with compressed air supply Y, Z, E, F, G, H, J, K (supply air at both ends)
- 11 GQC, GQD Not with additional function P, Q, V. Cannot be combined with valve function G (5/3-way valve)
- 12 GQD Only with compressed air supply U, V, W, X, Y, Z, A, B, C, D
- 13 V Only with working port C (threaded connection). Not with additional function P, Q, V
- 14 A Not with pneumatic multiple connector plate V (specially prepared pneumatic multiple connector plate) as an accessory

Transfer order code

+ -

Valve terminals type 10 CPV, Compact Performance – Multiple connector plate



Ordering data – Modular products

Valve terminals for standard applications
Compact Performance

2.1

M Mandatory data →

Module No.	Valve terminal, pneumatic part	Size	No. of valve positions	Working ports	Electrical connection	Manual override	Compressed air supply
18 200	10P	10	4, 6, 8	A, B, C	MP	N, R, V	U, V, W, X, Y, Z, A, B, C, D, E, F, G, H, J, K
18 210		14					
18 220		18					
Ordering example							
18 200	10P	10	8	C	MP	N	U
1	2	3	4	5	6	7	8

Ordering table		10	14	18	Condi- tions	Code	Enter code	
M	1 Module No.	18 200	18 210	18 220				
	Basic configuration							
	2 Valve terminal, pneumatic part	Valve terminal type 10, CPV					10P	10P
	3 Size	10	14	18		-...		
	4 No. of valve positions	4, 6, 8				-...		
	5 Working ports	Large QS push-in connectors for working port		(QS6) (QS8) (QS10)	[1]	A		
		Small QS push-in connectors for working port		(QS4) (QS6) (QS8)	[1]	B		
		Thread for working port		(M7) (G1/8) (G1/4)		C		
	6 Electrical connection	Electrical multi-pin plug connection					-MP	-MP
	7 Manual override	Non-detenting					-N	
		Detenting					-R	
		Blocked					-V	
	8 Compressed air supply	Internal pilot air supply, supply at right, ducted exhaust air					-U	
		Internal pilot air supply, supply at left, ducted exhaust air					-V	
		External pilot air supply, supply at right, ducted exhaust air					-W	
		External pilot air supply, supply at left, ducted exhaust air					-X	
		Compressed air supply via end plates or pneumatic multiple connector plate					-Y	
		Internal pilot air supply, supply at both ends, ducted exhaust air						
		External pilot air supply, supply at both ends, ducted exhaust air					-Z	
		Compressed air supply via end plates, with flat plate silencer					-A	
		Internal pilot air supply, supply at right, flat plate silencer						
		Internal pilot air supply, supply at left, flat plate silencer						
		External pilot air supply, supply at right, flat plate silencer						
		External pilot air supply, supply at left, flat plate silencer					-D	
		Compressed air supply via pneumatic multiple connector plate with flat plate silencer					[2]	
		External pilot air supply, supply at both ends, flat plate silencer at right						
		External pilot air supply, supply at both ends, flat plate silencer at left					[2]	
	Internal pilot air supply, supply at both ends, flat plate silencer at left					[2]		
	External pilot air supply, supply at both ends, flat plate silencers at both ends					[2]		
	Internal pilot air supply, supply at both ends, flat plate silencers at both ends					[2]		
	Internal pilot air supply, supply at both ends, flat plate silencer at right					[2]		

[1] **A, B** Not if the other equipment consists solely of valve function T, S (plate with duct separation), **L** (blanking plate) and **R** (relay plate) [2] **E, F, G, H, J, K** Only with pneumatic multiple connector plate **M, P, GQC, GQD, V** as an accessory

Transfer order code

	10P	-		-		-	MP	-		-		
1	2		3		4		5		6		7	8

Valve terminals type 10 CPV, Compact Performance – Multiple connector plate



Ordering data – Modular products

Valve terminals for standard applications
Compact Performance

2.1

→ **M** **Mandatory data** →

Equipment at valve position 0 ... 7

9 Valve functions: M, J, N, C, H, G, D, I, F, A, E, T, S, L, R

0 **Options**

10 Additional functions at pneumatic valve position 0 ... 7: P, Q, V

Valve position

0	1	2	3	4	5	6	7
- M	M	M	M	M	M	M	J

9 + 10

Ordering table		10	14	18	Condi- tions	Code	Enter code
↓	Equipment at valve position 0 ... 7				[3]	-	-
M	9 Valve functions	5/2-way valve, single solenoid				M	Enter the pneumatic equipment selected in the order code
		5/2-way valve, double solenoid				J	
		2x 3/2-way valve, normally open				N	
		2x 3/2-way valve, normally closed				C	
		2x 3/2-way valve, 1x normally closed, 1x open				H	
		5/3-way valve, mid-position closed			[4]	G	
		2x 2/2-way valve, normally closed				D	
		2x 2/2-way valve, 1x normally closed, 1x open				I	
		5/2-way valve, single solenoid, fast-switching	-	-		F	
		Vacuum generators			[5]	A	
		Vacuum generator with ejector pulse			[5]	E	
		Plate with duct separation, 1/11 closed			[6]	T	
		Plate with duct separation 1/11 and 3/5 closed			[6] [7]	S	
		Vacant position				L	
		Relay plate	-	-		R	
0	10 Additional function at valve position 0 ... 7	2x one-way flow control valve, supply air	-	-	[8]	P	
		2x one-way flow control valve, exhaust air	-	-	[8]	Q	
↓		Vacuum flow control module	-	-	[8] [9]	V	

- [3] **Equipment at valve position 0 ... 7**
Valve positions must be equipped throughout without any gaps
- [4] **G**
Not with pneumatic multiple connector plate V (specially prepared pneumatic multiple connector plate) as an accessory
For sizes 10 and 14, not in first or last valve position with pneumatic multiple connector plate M, P as an accessory
- [5] **A, E**
Note air supply and exhaust when using more than 2 vacuum generators
- [6] **T, S**
Only one valve function T or S (plate with duct separation) possible per valve terminal, but not in first or last valve position and only with compressed air supply Y, Z, E, F, G, H, J, K (supply air at both ends); the equipment to the right must consist of more than valve function L (blanking plate)
- [7] **S**
If the equipment to the right of S consists solely of valve function D, I (2x 2/2-way valve), L (blanking plate), then only with compressed air supply Y, Z, F, G and pneumatic multiple connector plate M, P as an accessory
Cannot be combined with valve function G (5/3-way valve).
Not in first or last valve position with pneumatic multiple connector plate M, P as an accessory
- [8] **P, Q, V**
Must be combined with valve function D, I (2x 2/2-way valve), E (vacuum generator with ejector pulse)
- [9] **V**
Must be combined with valve function D, I (2x 2/2-way valve), E (vacuum generator with ejector pulse)

Transfer order code

0	1	2	3	4	5	6	7
-							

9 + 10

Valve terminals type 10 CPV, Compact Performance – Multiple connector plate



Ordering data – Modular products

→ 0 Options						
Accessories	Pneumatic multiple connector plate	Inscription label holder	Module retainer	Electrical connection	Fitting set for end plates	User documentation
	M, P, GQC, GQD, V	Z, T	H, W, U	Y, R, S, ...K, ...L	A	D, E, F, I, S, V
+						- D
	11					12

Ordering table							
Size	10	14	18	Conditions	Code	Enter code	
0	Accessories					+	+
11	Pneumatic multiple connector plate	Standard pneumatic multiple connector plate		10	M		
		Flanged pneumatic multiple connector plate		10	P		
		Pneumatic multiple connector plate, with sealing ring, with supply connections		10 11	GQC		
		Pneumatic multiple connector plate, with sealing ring, without supply connections		11 12	GQD		
		Specially prepared pneumatic multiple connector plate		10 13	V		
	Inscription label holder	For inscription labels		14	Z		
		Transparent		14	T		
	Module retainer	H-rail mounting			H		
		-	-	Wall mounting		W	
		Wall mounting		-		U	
Electrical connection	9-pin with 4-fold,	Straight socket, IP65, Sub-D, 9-/25-pin, for multi-pin plug connection			Y		
	25-pin with 6-/8-fold	Pre-assembled multi-pin cable, 5 m			R		
		Pre-assembled multi-pin cable, 10 m			S		
	Connecting cable for relay plate	2.5 m	1 ... 99	-		...K	
	5 m	1 ... 99	-		...L		
	Fitting set for end plates		Connector and silencer	15	A		
12	User documentation	German			-D		
		English			-E		
		French			-F		
		Italian			-I		
		Spanish			-S		
		Swedish			-V		

10 M, P, GQC, V Only with compressed air supply Y, Z, E, F, G, H, I, K (supply at both ends)

11 GQC, GQD Not with additional function P, Q, V
Cannot be combined with valve function G (5/3-way valve)

12 GQD Only with compressed air supply U, V, W, X, Y, Z, A, B, C, D

13 V Only with working port C (threaded connection).

14 Z, T Not with additional function P, Q, V

14 Z, T Cannot be combined with valve function R (relay plate)

15 A Not with pneumatic multiple connector plate V (specially prepared pneumatic multiple connector plate) as an accessory

Transfer order code

+ -

Valve terminals type 10 CPV, Compact Performance – AS-interface



Ordering data – Modular products

Valve terminals for standard applications
Compact Performance

2.1

M Mandatory data →

Module No.	Valve terminal, pneumatic part	Size	No. of valve positions	Working ports	Electrical connection	Manual override
18 200	10P	10	2, 4, 8	A, B, C	AS, AZ, AE, AO, BE, CE	N, R, V
18 210		14				
18 220		18				
Ordering example						
18 200	10P	10	8	C	AE	N
1	2	3	4	5	6	7

Ordering table		Size	10	14	18	Condi- tions	Code	Enter code
M	1 Module No.		18 200	18 210	18 220			
	Basic configuration							
	2 Valve terminal, pneumatic part		Valve terminal type 10, CPV				10P	10P
	3 Size		10	14	18		-...	
	4 No. of valve positions		2, 4, 8		2, 4		-...	
	5 Working ports		Large QS push-in connectors for working port (QS6) (QS8) (QS10)		[1]	A		
			Small QS push-in connectors for working port (QS4) (QS6) (QS8)		[1]	B		
			Thread for working port (M7) (G1/8) (G1/4)				C	
	6 Electrical connection		AS-interface node without additional power supply		-	[2]	-AS	
			AS-interface node			[2]	-AZ	
			AS-interface node electrical inputs		-	[2]	-AE	
			AS-interface node electrical inputs without additional power supply		-	[2]	-AO	
			AS-interface node electrical inputs, A/B slave		-	[2]	-BE	
			AS-interface node electrical inputs, A/B slave, specification 3.0, profile 7.A.7		-	[2]	-CE	
	7 Manual override		Non-detenting				-N	
			Detenting				-R	
			Blocked				-V	

[1] **A, B** Not if the other equipment consists solely of valve function T, S (plate with duct separation), L (blanking plate) and R (relay plate)

[2] **AS, AZ, AE, AO, BE, CE**
Note maximum number of coils and valve position equipment
→ Table on page 4 / 2.1-70

Transfer order code

	10P	-		-		-		-	
1	2		3		4		5		6

Valve terminals type 10 CPV, Compact Performance – AS-interface

Ordering data – Modular products

→ **M** Mandatory data →

Compressed air supply

U, V, W, X, Y, Z, A, B, C, D, E, F, G, H, J, K

- **U**
8

Ordering table		10	14	18	Condi- tions	Code	Enter code
↓ 8 M	Compressed air supply	Internal pilot air supply, supply at right, ducted exhaust air				-U	
		Internal pilot air supply, supply at left, ducted exhaust air				-V	
		External pilot air supply, supply at right, ducted exhaust air				-W	
		External pilot air supply, supply at left, ducted exhaust air				-X	
	Compressed air supply via end plates or pneu- matic multiple connector plate	Internal pilot air supply, supply at both ends, ducted exhaust air				-Y	
		External pilot air supply, supply at both ends, ducted exhaust air				-Z	
	Compressed air supply via end plates, with flat plate silencer	Internal pilot air supply, supply at right, flat plate silencer				-A	
		Internal pilot air supply, supply at left, flat plate silencer				-B	
		External pilot air supply, supply at right, flat plate silencer				-C	
		External pilot air supply, supply at left, flat plate silencer				-D	
	Compressed air supply via pneumatic multiple connector plate with flat plate silencer	External pilot air supply, supply at both ends, flat plate silencer at right			3	-E	
		External pilot air supply, supply at both ends, flat plate silencer at left			3	-F	
		Internal pilot air supply, supply at both ends, flat plate silencer at left			3	-G	
		External pilot air supply, supply at both ends, flat plate silencers at both ends			3	-H	
		Internal pilot air supply, supply at both ends, flat plate silencers at both ends			3	-J	
		Internal pilot air supply, supply at both ends, flat plate silencer at right			3	-K	

3 E, F, G, H, J, K

Only with pneumatic multiple connector plate M, P, GQC, GQD, V

Transfer order code

-
8

Valve terminals type 10 CPV, Compact Performance – AS-interface



Ordering data – Modular products

Valve terminals for standard applications
Compact Performance

2.1

→ **M** **Mandatory data** →

Equipment at valve position 0 ... 7

9 Valve functions: M, J, N, C, H, G, D, I, F, A, E, T, S, L, R

0 **Options**

10 Additional functions at pneumatic valve position 0 ... 7: P, Q, V

Valve position

0	1	2	3	4	5	6	7
- M	M	M	M	M	M	M	F

9 + 10

Ordering table		10	14	18	Condi- tions	Code	Enter code
↓	Equipment at valve position 0 ... 7				4	-	-
M	9 Valve functions	5/2-way valve, single solenoid				M	Enter the pneumatic equipment selected in the order code
		5/2-way valve, double solenoid				J	
		2x 3/2-way valve, normally open				N	
		2x 3/2-way valve, normally closed				C	
		2x 3/2-way valve, 1x normally closed, 1x open				H	
		5/3-way valve, mid-position closed			5	G	
		2x 2/2-way valve, normally closed				D	
		2x 2/2-way valve, 1x normally closed, 1x open				I	
		5/2-way valve, single solenoid, fast-switching	-	-		F	
		Vacuum generators			6	A	
		Vacuum generator with ejector pulse			6	E	
		Plate with duct separation, 1/11 closed			7	T	
		Plate with duct separation 1/11 and 3/5 closed			7 8	S	
		Vacant position				L	
		Relay plate	-	-		R	
0	10 Additional function at valve position 0 ... 7	2x one-way flow control valve, supply air			9	P	
		2x one-way flow control valve, exhaust air			9	Q	
↓		Vacuum flow control module			9 10	V	

- | | |
|--|--|
| <p>4 Equipment at valve position 0 ... 7
The valve positions must be equipped throughout without any gaps.
Note valve position equipment → Table on page 4 / 2.1-70.</p> <p>5 G
Not with pneumatic multiple connector plate V (specially prepared pneumatic multiple connector plate) as an accessory
For sizes 10 and 14, not in first or last valve position with pneumatic multiple connector plate M, P as an accessory</p> <p>6 A, E
Note air supply and exhaust when using more than 2 vacuum generators</p> <p>7 T, S
Only one valve function T or S (plate with duct separation) possible per valve terminal, but not in first or last valve position and only with compressed air supply Y, Z, E, F, G, H, J, K (air supply at both ends); the equipment to the right must consist of more than valve function L (blanking plate)</p> | <p>8 S
If the equipment to the right of S consists solely of valve function D, I (2x 2/2-way valve), L (blanking plate), then only with compressed air supply Y, Z, F, G and pneumatic multiple connector plate M, P as an accessory
Cannot be combined with valve function G (5/3-way valve).
Not in first or last valve position with pneumatic multiple connector plate M, P as an accessory</p> <p>9 P, Q, V
Must be combined with valve function D, I (2x 2/2-way valve), E (vacuum generator with ejector pulse)</p> <p>10 V</p> |
|--|--|

Transfer order code

0	1	2	3	4	5	6	7
-							

9 + 10

Valve terminals type 10 CPV, Compact Performance – AS-interface

Ordering data – Modular products



0 Options						
Accessories	Pneumatic multiple connector plate	Inscription label holder	Module retainer	Connecting cable for relay plate	Fitting set for end plates	User documentation
	M, P, GQC, GQD, V	Z, T	H, W, U	...K, ...L	A	D, E, F, I, S, V
+						- D
	11					12

Ordering table						
Size	10	14	18	Condi-tions	Code	Enter code
11	Accessories				+	+
11	Pneumatic multiple connector plate	Standard pneumatic multiple connector plate		11	M	
		Flanged pneumatic multiple connector plate		11	P	
		Pneumatic multiple connector plate, with sealing ring, with supply connections		11 12	GQC	
		Pneumatic multiple connector plate, with sealing ring, without supply connections		12 13	GQD	
		Specially prepared pneumatic multiple connector plate		11 14	V	
		Inscription label holder		For inscription labels		15
		Transparent		15	T	
Module retainer		H-rail mounting			H	
				Wall mounting		W
		Wall mounting			U	
Connecting cable for relay plate		2.5 m	1 ... 99			...K
		5 m	1 ... 99			...L
Fitting set for end plates		Connector and silencer		16	A	
12	User documentation		German			-D
			English			-E
			French			-F
			Italian			-I
			Spanish			-S
			Swedish			-V

11 M, P, GQC, V Only with compressed air supply Y, Z, E, F, G, H, J, K (supply at both ends)

12 GQC, GQD Not with additional function P, Q, V.
Cannot be combined with valve function G (5/3-way valve)

13 GQD Only with compressed air supply U, V, W, X, Y, Z, A, B, C, D

14 V Only with working port C (threaded connection).

Not with additional function P, Q, V.
Not with valve function R (relay plate)

15 Z, T

16 A Not with pneumatic multiple connector plate V (specially prepared pneumatic multiple connector plate) as an accessory

Transfer order code

+ **11** - **12**

Valve terminals type 10 CPV, Compact Performance – AS-interface



Ordering data – Modular products

Valve terminals for standard applications
Compact Performance

2.1

Electrical connection with permissible equipment for valve positions																		
Electrical connection	Size	No. of valve positions/max. no. of solenoid coils	Permissible valve position															
			Valve function															
			M	J	N	C	H	G ⁵	D	I	F	A ⁶	E ⁶	T ⁷	S ⁷ ⁸	L	R	
			No. of solenoid coils															
			1	2	2	2	2	2	2	2	1	1	2	0	0	0	2	
AS	10	4-fold/4	■	-	-	-	-	-	-	-	-	■	■	-	1, 2	1, 2	■	-
	14		■	-	-	-	-	-	-	-	-	-	■	-	1, 2	1, 2	■	-
AZ	10	2-fold/4	■	■	■	■	■	-	■	■	■	■	■	-	-	-	■	■
	14		■	■	■	■	■	-	■	■	-	■	■	-	-	-	■	-
	18		■	■	■	■	■	-	■	■	-	■	■	-	-	-	■	-
	10	4-fold/4	■	-	-	-	-	-	-	-	■	■	-	1, 2	1, 2	■	-	
	14		■	-	-	-	-	-	-	-	-	■	-	1, 2	1, 2	■	-	
	18		■	-	-	-	-	-	-	-	-	■	-	1, 2	1, 2	■	-	
AE	10	4-fold/4	■	0, 2	0, 2	0, 2	0, 2	0, 2	0, 2	0, 2	0, 2	■	■	0, 2	1, 2	1, 2	■	0, 2
	14		■	0, 2	0, 2	0, 2	0, 2	0, 2	0, 2	0, 2	-	■	0, 2	1, 2	1, 2	■	-	
	10	8-fold/8	■	0, 2, 4, 6	0, 2, 4, 6	0, 2, 4, 6	0, 2, 4, 6	0, 2, 4, 6	0, 2, 4, 6	0, 2, 4, 6	0, 2, 4, 6	■	■	0, 2, 4, 6	1, 2, 3, 4, 5, 6	1, 2, 3, 4, 5, 6	■	0, 2, 4, 6
	14		■	0, 2, 4, 6	0, 2, 4, 6	0, 2, 4, 6	0, 2, 4, 6	0, 2, 4, 6	0, 2, 4, 6	0, 2, 4, 6	-	■	0, 2, 4, 6	1, 2, 3, 4, 5, 6	1, 2, 3, 4, 5, 6	■	-	
AO	10	4-fold/4	■	0, 2	0, 2	0, 2	0, 2	0, 2	0, 2	0, 2	0, 2	■	■	0, 2	1, 2	1, 2	■	0, 2
	14		■	0, 2	0, 2	0, 2	0, 2	0, 2	0, 2	0, 2	-	■	0, 2	1, 2	1, 2	■	-	
BE	10	4-fold/3	0, 1, 2	0	0	0	0	0, 2	0	0	0, 1, 2	0, 1, 2	0	1, 2	1, 2	■	3	0
	14		0, 1, 2	0	0	0	0	0, 2	0	0	-	0, 1, 2	0	1, 2	1, 2	■	3	-
	10	8-fold/6	0, 1, 2, 4, 5, 6	0, 4	0, 4	0, 4	0, 4	0, 4	0, 4	0, 4	0, 1, 2, 4, 5, 6	0, 1, 2, 4, 5, 6	0, 4	1, 2, 4, 5, 6	1, 2, 4, 5, 6	■	3, 7	0, 4
	14		0, 1, 2, 4, 5, 6	0, 4	0, 4	0, 4	0, 4	0, 4	0, 4	0, 4	-	0, 1, 2, 4, 5, 6	0, 4	1, 2, 4, 5, 6	1, 2, 4, 5, 6	■	3, 7	-
CE	10	4-fold/4	■	0, 2	0, 2	0, 2	0, 2	0, 2	0, 2	0, 2	0, 2	■	■	0, 2	1, 2	1, 2	■	0, 2
	14		■	0, 2	0, 2	0, 2	0, 2	0, 2	0, 2	0, 2	-	■	0, 2	1, 2	1, 2	■	-	
	10	8-fold/8	■	0, 2, 4, 6	0, 2, 4, 6	0, 2, 4, 6	0, 2, 4, 6	0, 2, 4, 6	0, 2, 4, 6	0, 2, 4, 6	0, 2, 4, 6	■	■	0, 2, 4, 6	1, 2, 3, 4, 5, 6	1, 2, 3, 4, 5, 6	■	0, 2, 4, 6
	14		■	0, 2, 4, 6	0, 2, 4, 6	0, 2, 4, 6	0, 2, 4, 6	0, 2, 4, 6	0, 2, 4, 6	0, 2, 4, 6	-	■	0, 2, 4, 6	1, 2, 3, 4, 5, 6	1, 2, 3, 4, 5, 6	■	-	

- No restriction
- must be selected at this valve position

- ⁵ **G** Not with pneumatic multiple connector plate V (specially prepared pneumatic multiple connector plate) as an accessory
For sizes 10 and 14, not in first or last valve position with pneumatic multiple connector plate M, P as an accessory
- ⁶ **A, E** Note air supply and exhaust when using more than 2 vacuum generators
- ⁷ **T, S** Only one valve function T or S (plate with duct separation) possible per valve terminal,
but not in first or last valve position and only with compressed air supply Y, Z, E, F, G, H, J, K (supply air at both ends);
the equipment to the right must consist of more than valve function L (blanking plate)
- ⁸ **S** If the equipment to the right of S consists solely of valve function D, I (2x 2/2-way valve), L (blanking plate), then only with compressed air supply Y, Z, F, G and pneumatic multiple connector plate M, P as an accessory

Valve terminals type 10 CPV, Compact Performance – Fieldbus



Ordering data – Modular products

M Mandatory data →							
Module No.	Valve terminal, pneumatic part	Size	No. of valve positions	Working ports	Electrical connection	Manual override	Compressed air supply
18 200	10P	10	4, 6, 8	A, B, C	TC	N, R, V	U, V, W, X, Y, Z, A, B, C, D, E, F, G, H, J, K
18 210		14					
18 220		18					
Ordering example							
18 200	10P	- 10	- 8	C	- FB	- N	- U
1	2	3	4	5	6	7	8

Ordering table									
Size	10	14	18	Condi- tions	Code	Enter code			
M 1	Module No.	18 200	18 210	18 220					
	Basic configuration								
2	Valve terminal, pneumatic part	Valve terminal type 10, CPV					10P	10P	
3	Size	10	14	18		-...			
4	No. of valve positions	4, 6, 8					-...		
5	Working ports	Large QS push-in connectors for working port (QS6) (QS8) (QS10)			[1]	A			
		Small QS push-in connectors for working port (QS4) (QS6) (QS8)			[1]	B			
		Thread for working port (M7) (G1/8) (G1/4)				C			
6	Electrical connection	Festo CP bus node					-FB	-FB	
7	Manual override	Non-detenting					-N		
		Detenting					-R		
		Blocked					-V		
8	Compressed air supply	Internal pilot air supply, supply at right, ducted exhaust air					-U		
		Internal pilot air supply, supply at left, ducted exhaust air					-V		
		External pilot air supply, supply at right, ducted exhaust air					-W		
		External pilot air supply, supply at left, ducted exhaust air					-X		
	Compressed air supply via end plates or pneumatic multiple connector plate	Internal pilot air supply, supply at both ends, ducted exhaust air					-Y		
		External pilot air supply, supply at both ends, ducted exhaust air					-Z		
	Compressed air supply via end plates, with flat plate silencer	Internal pilot air supply, supply at right, flat plate silencer					-A		
		Internal pilot air supply, supply at left, flat plate silencer					-B		
		External pilot air supply, supply at right, flat plate silencer					-C		
		External pilot air supply, supply at left, flat plate silencer					-D		
	Compressed air supply via pneumatic multiple connector plate with flat plate silencer	External pilot air supply, supply at both ends, flat plate silencer at right					[2]		-E
		External pilot air supply, supply at both ends, flat plate silencer at left					[2]		-F
		Internal pilot air supply, supply at both ends, flat plate silencer at left					[2]		-G
		External pilot air supply, supply at both ends, flat plate silencers at both ends					[2]		-H
		Internal pilot air supply, supply at both ends, flat plate silencers at both ends					[2]		-J
Internal pilot air supply, supply at both ends, flat plate silencer at right					[2]	-K			

[1] A, B Not if the other equipment consists solely of valve function T, S (plate with duct separation), L (blanking plate) and R (relay plate) [2] E, F, G, H, J, K Only with pneumatic multiple connector plate M, P, GQC, GQD, V as an accessory

Transfer order code

1	2	3	4	5	6	7	8
	10P	-			FB	-	

Valve terminals type 10 CPV, Compact Performance – Fieldbus



Ordering data – Modular products

Valve terminals for standard applications
Compact Performance

2.1

→ **M** Mandatory data →

Equipment at valve position 0 ... 7

9 Valve functions: M, J, N, C, H, G, D, I, F, A, E, T, S, L, R

O Options

10 Additional functions at pneumatic valve position 0 ... 7: P, Q, V

Valve position

0	1	2	3	4	5	6	7
- M	M	M	M	M	M	M	F

9 + 10

Ordering table		10	14	18	Condi- tions	Code	Enter code
↓	Equipment at valve position 0 ... 7				[3]	-	-
M	9 Valve functions	5/2-way valve, single solenoid				M	Enter the pneumatic equipment selected in the order code
		5/2-way valve, double solenoid				J	
		2x 3/2-way valve, normally open				N	
		2x 3/2-way valve, normally closed				C	
		2x 3/2-way valve, 1x normally closed, 1x open				H	
		5/3-way valve, mid-position closed				[4] G	
		2x 2/2-way valve, normally closed				D	
		2x 2/2-way valve, 1x normally closed, 1x open				I	
		5/2-way valve, single solenoid, fast-switching	-	-		F	
		Vacuum generators				[5] A	
		Vacuum generator with ejector pulse				[5] E	
		Plate with duct separation, 1/11 closed				[6] T	
		Plate with duct separation 1/11 and 3/5 closed				[6] [7] S	
		Vacant position				L	
	Relay plate		-		R		
O	10 Additional function at valve position 0 ... 7	2x one-way flow control valve, supply air			[8]	P	
		2x one-way flow control valve, exhaust air			[8]	Q	
↓		Vacuum flow control module				[8] [9]	V

[3] Equipment at valve position 0 ... 7

Valve positions must be equipped throughout without any gaps

[4] G

Not with pneumatic multiple connector plate V (specially prepared pneumatic multiple connector plate) as an accessory
For sizes 10 and 14, not in first or last valve position with pneumatic multiple connector plate M, P as an accessory

[5] A, E

Note air supply and exhaust when using more than 2 vacuum generators

[6] T, S

Only one valve function T or S (plate with duct separation) possible per valve terminal, but not in first or last valve position and only with compressed air supply Y, Z, E, F, G, H, J, K (supply air at both ends); the equipment to the right must consist of more than valve function L (blanking plate)

[7] S

If the equipment to the right of S consists solely of valve function D, I (2x 2/2-way valve), L (blanking plate), then only with compressed air supply Y, Z, F, G and pneumatic multiple connector plate M, P as an accessory

[8] P, Q, V

Cannot be combined with valve function G (5/3-way valve).

Not in first or last valve position with pneumatic multiple connector plate M, P as an accessory

[9] V

Must be combined with valve function D, I (2x 2/2-way valve), E (vacuum generator with ejector pulse)

Transfer order code

0	1	2	3	4	5	6	7
-							

9 + 10

Valve terminals type 10 CPV, Compact Performance – Direct link



Ordering data – Modular products

Valve terminals for standard applications
Compact Performance

2.1

M Mandatory data →

Module No.	Valve terminal, pneumatic part	Size	No. of valve positions	Working ports	Electrical connection	Manual override
18 200	10P	10	8	A, B, C	IP, D1, I1, N2, C2, CC	N, R, V
18 210		14				
18 220		18				
Ordering example						
18 200	10P	- 10	- 8	C	- IP	- N
1	2	3	4	5	6	7

Ordering table

Size	10	14	18	Condi- tions	Code	Enter code	
M 1	Module No.	18 200	18 210	18 220			
	Basic configuration						
2	Valve terminal, pneumatic part	Valve terminal type 10, CPV				10P	10P
3	Size	10	14	18	-...		
4	No. of valve positions	8				-8	-8
5	Working ports	Large QS push-in connectors for working port (QS6) (QS8) (QS10)		[1]	A		
Small QS push-in connectors for working port (QS4) (QS6) (QS8)		[1]	B				
Thread for working port (M7) (G1/8) (G1/4)			C				
6	Electrical connection	Fieldbus node for IP-Link (without connection accessories)			-IP		
Fieldbus node for Profibus DP including Festo fieldbus, ABB CS31, Moeller Suconet K, with extension string		[2]	-D1				
Fieldbus node for Interbus with extension string		[2]	-I1				
Fieldbus node for DeviceNet with extension string		[2]	-N2				
Fieldbus node for CANopen with extension string		[2]	-C2				
Fieldbus node for CC-Link with extension string		[2]	-CC				
Fieldbus nodes for Profibus DP with CPI string extension		[2]	-D2				
Fieldbus nodes for ABB CS31 with CPI string extension		[2]	-S2				
Fieldbus nodes for DeviceNet with CPI string extension		[2]	-N3				
Fieldbus nodes for CANopen with CPI string extension		[2]	-C3				
7	Manual override	Non-detenting				-N	
Detenting					-R		
Blocked					-V		

1 **A, B** Not if the other equipment consists solely of valve function T, S (plate with duct separation), L (blanking plate) and R (relay plate)

2 **D1, I1, N2, C2, CC, D2, S2, N3, C3** Only with selectable connection technology for fieldbus node GA, GB, GC, GD, GE, GF, GI, GL or GM

Transfer order code

	10P	-		-	8	-		-	
1	2		3		4		5		6

Valve terminals type 10 CPV, Compact Performance – Direct link



Ordering data – Modular products

→ **M** Mandatory data →

Compressed air supply

U, V, W, X, Y, Z, A, B, C, D, E, F, G, H, J, K

– **U**
8

Ordering table		10	14	18	Condi- tions	Code	Enter code
↓ 8 M	Compressed air supply	Internal pilot air supply, supply at right, ducted exhaust air				-U	
		Internal pilot air supply, supply at left, ducted exhaust air				-V	
		External pilot air supply, supply at right, ducted exhaust air				-W	
		External pilot air supply, supply at left, ducted exhaust air				-X	
	Compressed air supply via end plates or pneu- matic multiple connector plate	Internal pilot air supply, supply at both ends, ducted exhaust air				-Y	
		External pilot air supply, supply at both ends, ducted exhaust air				-Z	
	Compressed air supply via end plates, with flat plate silencer	Internal pilot air supply, supply at right, flat plate silencer				-A	
		Internal pilot air supply, supply at left, flat plate silencer				-B	
		External pilot air supply, supply at right, flat plate silencer				-C	
		External pilot air supply, supply at left, flat plate silencer				-D	
	Compressed air supply via pneumatic multiple connector plate with flat plate silencer	External pilot air supply, supply at both ends, flat plate silencer at right			3	-E	
		External pilot air supply, supply at both ends, flat plate silencer at left			3	-F	
		Internal pilot air supply, supply at both ends, flat plate silencer at left			3	-G	
		External pilot air supply, supply at both ends, flat plate silencers at both ends			3	-H	
		Internal pilot air supply, supply at both ends, flat plate silencers at both ends			3	-J	
		Internal pilot air supply, supply at both ends, flat plate silencer at right			3	-K	

3 E, F, G, H, J, K

Only with pneumatic multiple connector plate M, P, GQC, GQD, V as an accessory

Valve terminals for standard applications
Compact Performance

2.1

Transfer order code

–
8

Valve terminals type 10 CPV, Compact Performance – Direct link

Ordering data – Modular products



Valve terminals for standard applications
Compact Performance

2.1

→ **M** Mandatory data →

Equipment at valve position 0 ... 7

9 Valve functions: M, J, N, C, H, G, D, I, F, A, E, T, S, L, R

0 Options

10 Additional functions at pneumatic valve position 0 ... 7: P, Q, V

Valve position

0	1	2	3	4	5	6	7
- M	M	M	M	M	M	M	F

9 + 10

Ordering table		10	14	18	Condi- tions	Code	Enter code
↓	Equipment at valve position 0 ... 7				4	-	-
M	9 Valve functions	5/2-way valve, single solenoid				M	Enter the pneumatic equipment selected in the order code
		5/2-way valve, double solenoid				J	
		2x 3/2-way valve, normally open				N	
		2x 3/2-way valve, normally closed				C	
		2x 3/2-way valve, 1x normally closed, 1x open				H	
		5/3-way valve, mid-position closed				5 G	
		2x 2/2-way valve, normally closed				D	
		2x 2/2-way valve, 1x normally closed, 1x open				I	
		5/2-way valve, single solenoid, fast-switching	-	-		F	
		Vacuum generators				6 A	
		Vacuum generator with ejector pulse				6 E	
		Plate with duct separation, 1/11 closed				7 T	
		Plate with duct separation 1/11 and 3/5 closed				7 8 S	
		Vacant position				L	
	Relay plate		-		R		
0	10 Additional function at valve position 0 ... 7	2x one-way flow control valve, supply air			9	P	
		2x one-way flow control valve, exhaust air			9	Q	
↓		Vacuum flow control module			9 10	V	

4 Equipment at valve position 0 ... 7

Valve positions must be equipped throughout without any gaps

5 **G**

Not with pneumatic multiple connector plate V (specially prepared pneumatic multiple connector plate) as an accessory
For sizes 10 and 14, not in first or last valve position with pneumatic multiple connector plate M, P as an accessory

6 **A, E**

Note air supply and exhaust when using more than 2 vacuum generators

7 **T, S**

Only one valve function T or S (plate with duct separation) possible per valve terminal, but not in first or last valve position and only with compressed air supply Y, Z, E, F, G, H, J, K (supply air at both ends); the equipment to the right must consist of more than valve function L (blanking plate)

8 **S**

If the equipment to the right of S consists solely of valve function D, I (2x 2/2-way valve), L (blanking plate), then only with compressed air supply Y, Z, F, G and pneumatic multiple connector plate M, P as an accessory

9 **P, Q, V**

Cannot be combined with valve function G (5/3-way valve).
Not in first or last valve position with pneumatic multiple connector plate M, P as an accessory

10 **V**

Must be combined with valve function D, I (2x 2/2-way valve), E (vacuum generator with ejector pulse)

Transfer order code

0	1	2	3	4	5	6	7
-							

9 + 10

Valve terminals type 10 CPV, Compact Performance – Direct link

Ordering data – Modular products



→ **0 Options** →

Accessories	Connection technology for fieldbus nodes	Pneumatic multiple connector plate
	GA, GB, GC, GD, GE, GF, GI, GL, GM	M, P, GQC, GQD, V
+		

11

Ordering table						
Size	10	14	18	Condi- tions	Code	Enter code
0	Accessories				+	+
11	Selectable connection technology for fieldbus nodes	Adapter, 2x M12, 5-pin, for DeviceNet/CANopen		11	GA	
		Connection set, 5-pin screw terminal, for DeviceNet/CANopen		11	GB	
		Without accessories for fieldbus connection		12	GC	
		Straight plug, IP65, Sub-D, 9-pin, for DeviceNet/CANopen		11	GD	
		Straight plug, IP65, Sub-D, 9-pin, for Profibus DP		13	GE	
		Adapter, 2x M12 B-coded, for Profibus DP		13	GF	
		Connection set, IP65, 2xSub-D, 9-pin, for Interbus		14	GI	
		Adapter, 5-pin screw terminal, for CC-Link		15	GL	
		Straight plug, IP65 Sub-D, 9-pin, for CC-Link		15	GM	
		Pneumatic multiple connector plate				
	Standard pneumatic multiple connector plate			16	M	
	Flanged pneumatic multiple connector plate			16	P	
	Pneumatic multiple connector plate, with sealing ring, with supply connections		–	16 17	GQC	
	Pneumatic multiple connector plate, with sealing ring, without supply connections		–	17 18	GQD	
Specially prepared pneumatic multiple connector plate			16 19	V		

11 GA, GB, GD Only with electrical connection N2, C2

12 GC Only with electrical connection D1, I1, N2, C2, CC, D2, S2, N3, C3

13 GE, GF Only with electrical connection D1, D2, S2

14 GI Only with electrical connection I1

15 GL, GM Only with electrical connection CC

16 M, P, GQC, V Only with compressed air supply Y, Z, E, F, G, H, J, K (Supply at both ends)

17 GQC, GQD Not with additional function P, Q, V.

Cannot be combined with valve function G (5/3-way valve)

18 GQD Only with compressed air supply U, V, W, X, Y, Z, A, B, C, D

19 V Only with working port C (threaded connection).

Not with additional function P, Q, V

Transfer order code

+

11

Valve terminals type 10 CPV, Compact Performance – Direct link



Ordering data – Modular products

Valve terminals for standard applications
Compact Performance

2.1

Options					
Inscription label holder	Module retainer	Selectable electrical connection sockets	Connecting cable for relay plate	Fitting set for end plates	User documentation
Z, T	H, W, U		...K, ...L	A	D, E, F, I, S, V
					D
11					12

Ordering table						
Size	10	14	18	Condi- tions	Code	Enter code
11	Inscription label holder	For inscription labels		[20]	Z	
		Transparent		[20]	T	
	Module retainer	H-rail mounting			H	
		-	-	Wall mounting	W	
		Wall mounting		-	U	
	Selectable electrical connection sockets	Electrical connection socket M12 straight, 4-pin, Pg7			NA	
		Electrical connection socket M12 straight, 4-pin, Pg9			NB	
		Electrical connection socket M12 angled, 4-pin, Pg7			NC	
		Electrical connection socket M12 angled, 4-pin, Pg9			ND	
	Connecting cable for relay plate	2.5 m	1 ... 99	-		
5 m		1 ... 99	-		...L	
Fitting set for end plates	Connector and silencer		[21]	A		
12	User documentation	German			-D	
		English			-E	
		French			-F	
		Italian			-I	
		Spanish			-S	
		Swedish			-V	

[20] Z, T Not with valve function R (relay plate)

[21] A Not with pneumatic multiple connector plate V (specially prepared pneumatic multiple connector plate) as an accessory

Transfer order code

	-	
11		12

Valve terminals type 10 CPV, Compact Performance – ET200X



Ordering data – Modular products

Valve terminals for standard applications
Compact Performance

2.1

M Mandatory data →

Module No.	Valve terminal, pneumatic part	Size	No. of valve positions	Working ports	Electrical connection	Manual override	Compressed air supply
18 200	10P	10	8	A, B, C	ET	N, R, V	U, V, W, X, Y, Z, A, B, C, D, E, F, G, H, J, K
18 210		14					
Ordering example							
18 200	10P	10	8	C	ET	N	U
1	2	3	4	5	6	7	8

Ordering table		Size	10	14	Condi- tions	Code	Enter code
M	1	Module No.	18 200	18 210			
		Basic configuration					
	2	Valve terminal, pneumatic part	Valve terminal type 10, CPV			10P	10P
	3	Size	10	14		-...	
	4	No. of valve positions	8			-8	-8
	5	Working ports	Large QS push-in connectors for working port (QS6) (QS8)		[1]	A	
			Small QS push-in connectors for working port (QS4) (QS6)		[1]	B	
			Thread for working port (M7) (G1/8)			C	
	6	Electrical connection	Electrical connection for ET200X			-ET	-ET
	7	Manual override	Non-detenting			-N	
			Detenting			-R	
			Blocked			-V	
	8	Compressed air supply	Internal pilot air supply, supply at right, ducted exhaust air			-U	
			Internal pilot air supply, supply at left, ducted exhaust air			-V	
			External pilot air supply, supply at right, ducted exhaust air			-W	
			External pilot air supply, supply at left, ducted exhaust air			-X	
		Compressed air supply via end plates or pneumatic multiple connector plate	Internal pilot air supply, supply at both ends, ducted exhaust air			-Y	
			External pilot air supply, supply at both ends, ducted exhaust air			-Z	
		Compressed air supply via end plates, with flat plate silencer	Internal pilot air supply, supply at right, flat plate silencer			-A	
			Internal pilot air supply, supply at left, flat plate silencer			-B	
			External pilot air supply, supply at right, flat plate silencer			-C	
			External pilot air supply, supply at left, flat plate silencer			-D	
		Compressed air supply via pneumatic multiple connector plate with flat plate silencer	External pilot air supply, supply at both ends, flat plate silencer at right		[2]	-E	
			External pilot air supply, supply at both ends, flat plate silencer at left		[2]	-F	
			Internal pilot air supply, supply at both ends, flat plate silencer at left		[2]	-G	
			External pilot air supply, supply at both ends, flat plate silencers at both ends		[2]	-H	
			Internal pilot air supply, supply at both ends, flat plate silencers at both ends		[2]	-J	
			Internal pilot air supply, supply at both ends, flat plate silencer at right		[2]	-K	

[1] **A, B** Not if the other equipment consists solely of valve function T, S (plate with duct separation) and L (blanking plate) [2] **E, F, G, H, J, K** Only with pneumatic multiple connector plate M, V as an accessory

Transfer order code

	10P	-		-	8	-	ET	-		-		
1	2		3		4		5		6		7	8

Valve terminals type 10 CPV, Compact Performance – ET200X



Ordering data – Modular products

→ **M** **Mandatory data** →

Equipment at valve position 0 ... 7

9 Valve functions: M, J, N, C, H, G, D, I, A, E, T, S, L

0 **Options**

10 Additional functions at pneumatic valve position 0 ... 7: P, Q, V

Valve position

0	1	2	3	4	5	6	7
- M	M	M	M	M	M	M	J

9 + 10

Ordering table		10	14	Condi- tions	Code	Enter code
↓	Equipment at valve position 0 ... 7			3	-	-
M	9 Valve functions	5/2-way valve, single solenoid			M	Enter the pneumatic equipment selected in the order code
		5/2-way valve, double solenoid			J	
		2x 3/2-way valve, normally open			N	
		2x 3/2-way valve, normally closed			C	
		2x 3/2-way valve, 1x normally closed, 1x open			H	
		5/3-way valve, mid-position closed		4	G	
		2x 2/2-way valve, normally closed			D	
		2x 2/2-way valve, 1x normally closed, 1x open			I	
		Vacuum generators		5	A	
		Vacuum generator with ejector pulse		5	E	
		Plate with duct separation, 1/11 closed		6	T	
		Plate with duct separation 1/11 and 3/5 closed		6 7	S	
		Vacant position			L	
0	10 Additional function at valve position 0 ... 7	2x one-way flow control valve, supply air		8	P	
		2x one-way flow control valve, exhaust air		8	Q	
		Vacuum flow control module		8 9	V	

- | | |
|---|---|
| <p>3 Equipment at valve position 0 ... 7
Valve positions must be equipped throughout without any gaps</p> <p>4 G
Not with pneumatic multiple connector plate V (specially prepared pneumatic multiple connector plate) as an accessory
For sizes 10 and 14, not in first or last valve position with pneumatic multiple connector plate M, P as an accessory</p> <p>5 A, E
Note air supply and exhaust when using more than 2 vacuum generators</p> <p>6 T, S
Only one valve function T or S (plate with duct separation) possible per valve terminal, but not in first or last valve position and only with compressed air supply Y, Z, E, F, G, H, J, K (supply air at both ends); the equipment to the right must consist of more than valve function L (blanking plate)</p> | <p>7 S
If the equipment to the right of S consists solely of valve function D, I (2x 2/2-way valve), L (blanking plate), then only with compressed air supply Y, Z, E, F and pneumatic multiple connector plate M, P as an accessory
Cannot be combined with valve function G (5/3-way valve).
Not in first or last valve position with pneumatic multiple connector plate M, P as an accessory</p> <p>8 P, Q, V
Must be combined with valve function D, I (2x 2/2-way valve), E (vacuum generator with ejector pulse)</p> <p>9 V
Must be combined with valve function D, I (2x 2/2-way valve), E (vacuum generator with ejector pulse)</p> |
|---|---|

Transfer order code

0	1	2	3	4	5	6	7
-							

9 + 10

Valve terminals type 10 CPV, Compact Performance – ET200X



Ordering data – Modular products

→ 0 Options				
Accessories	Pneumatic multiple connector plate M, P, V	Inscription label holder Z, T	Fitting set for end plates A	User documentation D, E, F, I, S, V
+				-
	11			12

Ordering table						
Size	10	14	Condi- tions	Code		Enter code
0	Accessories			+		+
11	Pneumatic multiple connector plate	Standard pneumatic multiple connector plate	10	M		
		Flanged pneumatic multiple connector plate	10	P		
		Specially prepared pneumatic multiple connector plate	10 11	V		
	Inscription label holder	For inscription labels		Z		
		Transparent		T		
	Fitting set for end plates	Connector and silencer	12	A		
12	User documentation	German		-D		
		English		-E		
		French		-F		
		Italian		-I		
		Spanish		-S		
		Swedish		-V		

10 M, P, V Only with compressed air supply Y, Z, E, F, G, H, J, K (supply at both ends)

11 V Only with working port C (threaded connection).

Not with additional function P, Q, V

12 A

Not with pneumatic multiple connector plate V (specially prepared pneumatic multiple connector plate) as an accessory

Transfer order code

+ -

11 12

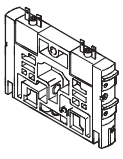
Valve terminals type 10 CPV, Compact Performance

FESTO

Accessories

Valve terminals for standard applications
Compact Performance

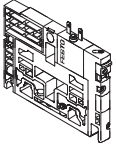
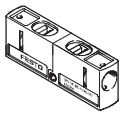
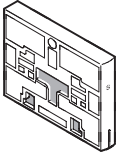
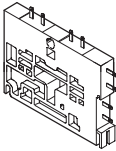
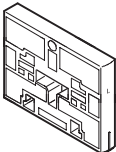
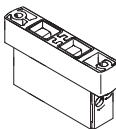
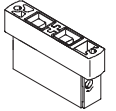
2.1

Ordering data				
	Code	Valve function	Type	Part No.
Individual valve slice, size 10/14/18				
	M	5/2-way valve, single solenoid	CPV10-M1H-5LS-M7	161 414
			CPV14-M1H-5LS-1/8	161 360
			CPV18-M1H-5LS-1/4	163 190
	F	5/2-way valve, single solenoid, fast-switching	CPV10-M1H-5LS-M7	187 439
	J	5/2-way bistable valve	CPV10-M1H-5JS-M7	161 415
			CPV14-M1H-5JS-1/8	161 361
			CPV18-M1H-5JS-1/4	163 191
	N	2x 3/2-way valve, Normally open	CPV10-M1H-2x3-OLS-M7	161 417
			CPV14-M1H-2x3-OLS-1/8	161 363
			CPV18-M1H-2x3-OLS-1/4	163 188
	C	2 x 3/2-way valve, Normally closed	CPV10-M1H-2x3-GLS-M7	161 416
			CPV14-M1H-2x3-GLS-1/8	161 362
			CPV18-M1H-2x3-GLS-1/4	163 189
	H	2x 3/2-way valve, 1x normally open, 1x closed,	CPV10-M1H-30LS-3GLS-M7	176 064
			CPV14-M1H-30LS-3GLS-1/8	176 067
			CPV18-M1H-30LS-3GLS-1/4	176 070
	G	5/3-way valve, Mid-position closed	CPV18-M1H-5/3GS-1/4	176 061
	D	2x 2/2-way valve, Normally closed	CPV10-M1H-2x2-GLS-M7	185 880
		CPV14-M1H-2x2-GLS-1/8	185 883	
		CPV18-M1H-2x2-GLS-1/4	185 886	
I	2x 2/2-way valve, 1x normally open, 1x closed,	CPV10-M1H-20LS-2GLS-M7	187 843	
		CPV14-M1H-20LS-2GLS-1/8	187 846	
		CPV18-M1H-20LS-2GLS-1/4	187 849	

Valve terminals type 10 CPV, Compact Performance

FESTO

Accessories

Ordering data				
	Code	Designation	Type	Part No.
Vacuum generators				
	A	Vacuum generators	CPV10-M1H-V70-M7	185 862
			CPV14-M1H-V95-1/8	185 868
			CPV18-M1H-V140-1/4	185 874
	E	Vacuum generator with ejector pulse	CPV10-M1H-VI70-2GLS-M7	185 865
			CPV14-M1H-VI95-2GLS-1/8	185 871
			CPV18-M1H-VI140-2GLS-1/4	185 877
Functional module				
	G	Valve kit for 5/3-way valve function, closed (in combination with valve slice C) for size 10 and 14	CPV10-BS-5/3G-M7	176 055
			CPV14-BS-5/3G-1/8	176 057
Separator plates				
	T	Separator plate, duct 1/11 closed	CPV10-DZP	161 369
			CPV14-DZP	162 551
			CPV18-DZP	163 282
	S	Separator plate, duct 1/11, 3/5 closed	CPV10-DZPR	178 678
			CPV14-DZPR	178 680
			CPV18-DZPR	184 543
Relay plate				
	R	Relay plate	CPV10-RP2	174 478
			CPV14-RP2	174 480
Blanking plate				
	L	Blanking plate	CPV10-RZP	161 368
			CPV14-RZP	162 550
			CPV18-RZP	163 283
Additional functions for valve positions				
	P	One-way flow control valve, 2x supply air	CPV-10-BS-2xGRZZ-M7	184 140
			CPV-14-BS-2xGRZZ-1/8	184 142
	Q	One-way flow control valve, 2x exhaust air	CPV-10-BS-2xGRAZ-M7	184 141
			CPV-14-BS-2xGRAZ-1/8	184 143
	V	One-way flow control valve for vacuum	CPV-10-BS-2xGRZ-V-M7	185 889
			CPV-14-BS-2xGRZ-V-1/8	185 891

Valve terminals for standard applications
Compact Performance

2.1

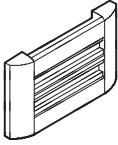
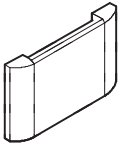
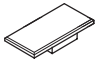

Valve terminals type 10 CPV, Compact Performance

FESTO

Accessories

Valve terminals for standard applications
Compact Performance

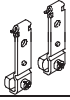
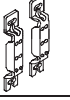
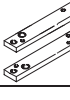

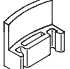
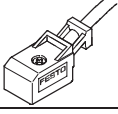
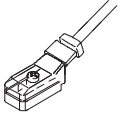
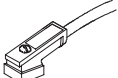
2.1

Ordering data				
	Code	Designation	Type	Part No.
Inscription label holder				
	Z	Holder for inscription labels	CPV10-VI-BZ-T-2	162 560
			CPV10-VI-BZ-T-3	162 561
			CPV10-VI-BZ-T-4	162 562
			CPV10-VI-BZ-T-5	162 563
			CPV10-VI-BZ-T-6	162 564
			CPV10-VI-BZ-T-7	162 565
			CPV10-VI-BZ-T-8	162 566
			CPV14-VI-BZ-T-2	162 567
			CPV14-VI-BZ-T-3	162 568
			CPV14-VI-BZ-T-4	162 569
			CPV14-VI-BZ-T-5	162 570
			CPV14-VI-BZ-T-6	162 571
			CPV14-VI-BZ-T-7	162 572
			CPV14-VI-BZ-T-8	162 573
			CPV18-VI-BZ-T-2	163 293
			CPV18-VI-BZ-T-3	163 294
			CPV18-VI-BZ-T-4	163 295
CPV18-VI-BZ-T-5	163 296			
CPV18-VI-BZ-T-6	163 297			
CPV18-VI-BZ-T-7	163 298			
CPV18-VI-BZ-T-8	163 299			
	T	Holder for inscription labels, transparent	CPV10-VI-ST-T-2	194 066
			CPV10-VI-ST-T-3	194 067
			CPV10-VI-ST-T-4	194 068
			CPV10-VI-ST-T-5	194 069
			CPV10-VI-ST-T-6	194 070
			CPV10-VI-ST-T-7	194 071
			CPV10-VI-ST-T-8	194 072
			CPV14-VI-ST-T-2	194 073
			CPV14-VI-ST-T-3	194 074
			CPV14-VI-ST-T-4	194 075
			CPV14-VI-ST-T-5	194 076
			CPV14-VI-ST-T-6	194 077
			CPV14-VI-ST-T-7	194 078
			CPV14-VI-ST-T-8	194 079
			CPV18-VI-ST-T-2	194 080
			CPV18-VI-ST-T-3	194 081
			CPV18-VI-ST-T-4	194 082
			CPV18-VI-ST-T-5	194 083
			CPV18-VI-ST-T-6	194 084
			CPV18-VI-ST-T-7	194 085
CPV18-VI-ST-T-8	194 086			
Inscription labels				
	-	6x10 mm in frames, 64 pieces	IBS 6x10	18 576
		9x20 mm in frames, 20 pieces (CPV18 only)	IBS 9x20	18 182
Seal for the electrical basic unit				
	-	Moulded seal for CPV10	CPV10-GE-...-8	380631
		Moulded seal for CPV14	CPV14-GE-...-8	380635

Valve terminals type 10 CPV, Compact Performance

Accessories

FESTO

Ordering data						
	Code	Designation		Type	Part No.	
Module retainer						
	H	Mounting for H-rail		CPV10/14-VI-BG-NRH-35	162 556	
				CPV18-VI-BG-NRH-35	163 291	
	W	Attachment for wall mounting		CPV18-VI-BG-RW	163 292	
	U			CPV10/14-VI-BG-RWL-B	189 541	
	X	Attachment for individual connection and ET200X (included in the scope of delivery)		CPV10-VI-BG-ET200X	165 801	
				CPV14-VI-BG-ET200X	165 803	
Manual override tool						
	-	Locking clip (for manual override)		CPV10/14-HS	526 203	
				CPV18-HS	526 204	
	V	Blocking clip (cover for manual override)		CPV10/14-HV	530 055	
				CPV18-HV	530 056	
Relay plate						
	K	Connecting cable for relay plate	2.5 m	KRP-1-24-2,5	165 612	
	L			5 m	KRP-1-24-5	165 613
Cable for individual connection, electrical						
	D	Plug socket with cable (CPV10/14), suitable for chain link trunking	2.5 m	KMYZ-7-24-2,5-LED-PUR	193 683	
	E			5 m	KMYZ-7-24-5-LED-PUR	193 685
	F			10 m	KMYZ-7-24-10-LED-PUR	196 070
	D	Plug socket with cable (CPV18)	2.5 m	KMEB-2-24-2,5-LED	174 844	
	E			5 m	KMEB-2-24-5-LED	174 845

Valve terminals for standard applications
Compact Performance

2.1

Valve terminals type 10 CPV, Compact Performance



Accessories

Valve terminals for standard applications
Compact Performance

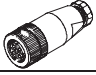



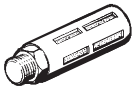
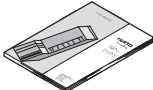
2.1

Ordering data					
	Code	Designation	Type	Part No.	
Multi-pin plug connection, electrical					
	Y	Plug socket, 9-pin	SD-SUB-D-BU9	18 708	
		Plug socket, 25-pin	SD-SUB-D-BU25	18 709	
	R	Connecting cable, 9-pin, polyvinyl chloride	5 m	KMP3-9P-08-5	18 698
		Connecting cable, 25-pin, polyvinyl chloride		KMP3-25P-16-5	18 624
	S	Connecting cable, 9-pin, polyvinyl chloride	10 m	KMP3-9P-08-10	18 579
		Connecting cable, 25-pin, polyvinyl chloride		KMP3-25P-16-10	18 625
	-	Connecting cable, 9-pin, polyurethane	5 m	KMP4-9P-5-PUR	193 014
		Connecting cable, 25-pin, polyurethane		KMP4-25P-5-PUR	193 018
	-	Connecting cable, 9-pin, polyurethane	10 m	KMP4-9P-10-PUR	193 015
		Connecting cable, 25-pin, polyurethane		KMP4-25P-10-PUR	193 019
	-	Connecting cable, for chain link trunking, with 9-pin Sub-D plug, IP40, polyvinyl chloride cable	2.5 m	KMP6-09P-8-2,5	531 184
			5 m	KMP6-09P-8-5	531 185
			10 m	KMP6-09P-8-10	531 186
	-	Connecting cable, for chain link trunking, with 25-pin Sub-D plug, IP40, polyvinyl chloride cable	2.5 m	KMP6-25P-20-2,5	530 046
5 m			KMP6-25P-20-5	530 047	
10 m			KMP6-25P-20-10	530 048	
Fieldbus connection for Fieldbus Direct					
	GA	Straight socket, Sub-D 9-pin for DeviceNet/CANopen, plug/socket M12 5-pin, IP65	FBA-2-M12-5POL	525 632	
	GB	Straight socket, Sub-D 9-pin for DeviceNet/CANopen, plug 5-pin, IP40	FBA-1-SL-5POL	525 634	
		Angled socket 5-pin for DeviceNet/CANopen, screw terminal 5-pin, IP20	FBSD-KL-2x5PIN	525 635	
	GD	Plug 9-pin, Sub-D for DeviceNet/CANopen, IP65	FBS-SUB-9-BU-2x4PIN	197 960	
	GE	Plug Sub-D, IP65, 9-pin for Profibus DP	FBS-SUB-9-GS-DP-B	532 216	
	GF	Bus connection 2x M12 adapter plug (B-coded, ReverseKey) for Profibus DP	FBA-2-M12-5POL-RK	533 118	
	GI	Plug socket 9-pin, Sub-D for Interbus nodes CPX and CPV	FBS-SUB-9-BU-IB-B	532 218	
		Plug 9-pin, Sub-D for Interbus nodes CPX and CPV	FBS-SUB-9-GS-IB-B	532 217	
	GL	Straight socket, Sub-D 9-pin, screw terminal 5-pin, IP20	FBA-1-KL-5POL	197 962	
	GM	Plug 9-pin, Sub-D, for CC-Link CPX and CPV, IP65	FBS-SUB-9-GS-2x4POL-B	532 220	

Valve terminals type 10 CPV, Compact Performance

FESTO

Accessories

Ordering data				
Designation			Type	Part No.
Operating voltage connection for Fieldbus Direct				
	Straight socket	M12, 4-pin, PG7, IP65	FBSD-GD-7	18 497
		M12, 4-pin, PG9, IP65	FBSD-GD-9	18 495
	Angled socket	M12, 4-pin, PG7, IP65	FBSD-WD-7	18 524
		M12, 4-pin, PG9, IP65	FBSD-WD-9	18 525
Blanking plugs				
	Blanking plugs		B-M5	3 843
			B-M7	174 309
			B-1/8	3 568
			B-1/4	3 569
			B-3/8	3 570
			B-1/2	3 571
Push-in fitting				
	Push-in fitting		QS-1/8-8-I	153 015
			QS-1/4-10-I	153 018
			QS-3/8-12-I	153 020
			QSM-M5-6-I	153 317
			QSM-M7-6-I	153 321
Silencers				
	Silencers		U-M5	4 645
			U-1/8-B	6 841
			U-1/4-B	6 842
			U-3/8-B	6 843
			U-1/2-B	6 844
			UC-M7	161 418
User documentation				
	CPV Pneumatics Description	German	P.BE-CPV-DE	165 100
		English	P.BE-CPV-EN	165 200
		French	P.BE-CPV-FR	165 130
		Italian	P.BE-CPV-IT	165 160
		Spanish	P.BE-CPV-ES	165 230
		Swedish	P.BE-CPV-SV	165 260

Valve terminals for standard applications
Compact Performance

2.1