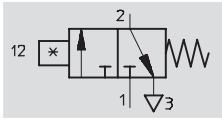


# Proximity sensors SMPO-8E, for T-slot, pneumatic

Technical data

Function  
3/2-way valve,  
normally closed

- Pneumatic proximity sensor
- Magnetic measuring principle



| Design   |                 |
|--|-----------------|
| Constructional design                            | For T-slot      |
| Type of mounting                                 | Via accessories |
| Connection direction                             | Lateral         |
| Reproducibility of switching point <sup>1)</sup> | [mm] ±0.1       |
| Switching status display                         | Optical         |

1) Only applicable to drives secured against rotation

| Technical data             |  |
|----------------------------|--|
| Switching element function | 3/2-way valve, normally closed                                   |
| Operating medium           | Compressed air, filtered, unlubricated, grade of filtration 40µm |
| Operating pressure         | [bar] 2 ... 8  |
| Switch-on time             | [ms] 22  |
| Switch-off time            | [ms] 52  |
| Pneumatic connection       | Female thread M5   |
| Protection class           | IP65   |

| Operating and environmental conditions       |                  |
|--|------------------|
| Ambient temperature                          | [°C] -15 ... +60 |
| Corrosion resistance class CRC <sup>1)</sup> | 2                |

1) Corrosion resistance class 2 according to Festo standard 940 070  
Components requiring moderate corrosion resistance. Externally visible parts with primarily decorative surface requirements which are in direct contact with a normal industrial environment or media such as coolants or lubricating agents.

| Materials |                      |
|-----------|----------------------|
| Housing   | Polyamide, aluminium |

| Product weights [g] |    |
|---------------------|----|
|                     | 12 |

# Proximity sensors SMPO-8E, for T-slot, pneumatic

Technical data

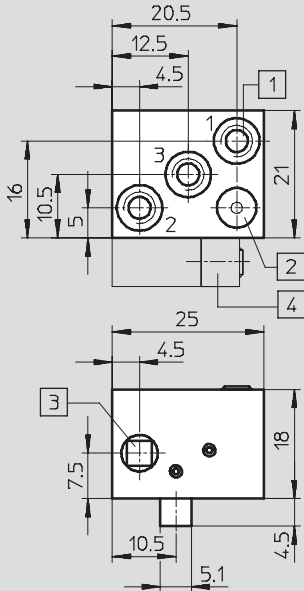


Sensors  
Sensors for drive units

1.1

## Dimensions

Download CAD data → [www.festo.com/en/engineering](http://www.festo.com/en/engineering)



- 1 Connecting thread M5
- 2 Pneumatic indicator
- 3 Mounting screw
- 4 Mounting kit SMB-8E

## Ordering data

|  | Pneumatic connection           | Part No. | Type    |
|--|--------------------------------|----------|---------|
|  | 3/2-way valve, normally closed |          |         |
|  | Female thread M5               | 178 563  | SMPO-8E |

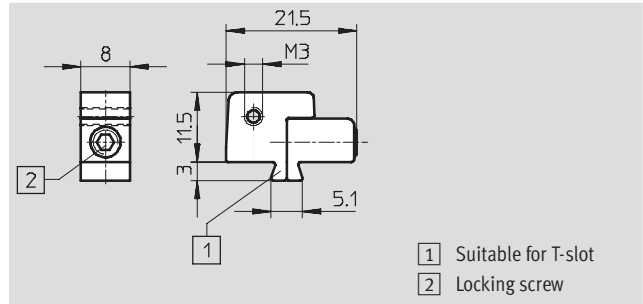
## Proximity sensors for T-slot

Accessories

**FESTO**

### Mounting kit SMB-8E

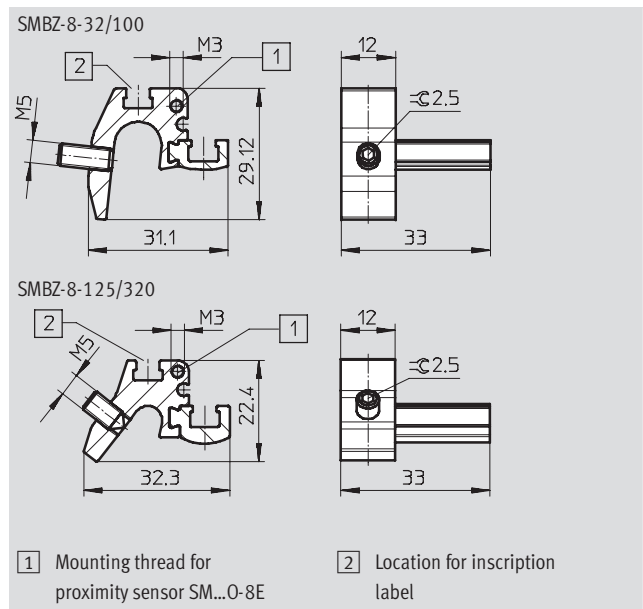
Material:  
Polyacetate



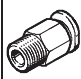
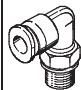
| Ordering data |          |        |
|---------------|----------|--------|
| For piston Ø  | Part No. | Type   |
| 10 ... 125    | 178 230  | SMB-8E |

### Mounting SMBZ-8-...

Material:  
Rail: Wrought aluminium alloy,  
anodised  
Screws: High-alloy stainless steel  
Free of copper and PTFE



| Ordering data |          |                |
|---------------|----------|----------------|
| For piston Ø  | Part No. | Type           |
| 32 ... 100    | 537 806  | SMBZ-8-32/100  |
| 125 ... 320   | 537 808  | SMBZ-8-125/320 |

| Ordering data – Push-in fittings  |   | Technical data → <a href="http://www.festo.com">www.festo.com</a> |                   |
|---|---|---|-------------------|
|   |   | [mm]  | Part No. Type     |
|  | Push-in fitting with connecting thread M5 for tubing O.D.   | 3   | 153 302 QSM-M5-3  |
|   |   | 4   | 153 304 QSM-M5-4  |
|   |   | 6   | 153 306 QSM-M5-6  |
|  | Push-in L-fitting with connecting thread M5 for tubing O.D. | 3   | 153 331 QSML-M5-3 |
|   |   | 4   | 153 333 QSML-M5-4 |
|   |   | 6   | 153 335 QSML-M5-6 |