


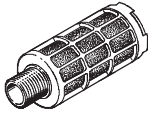



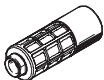





- Simple screw-in attachment
- Compact design
- With high flow rates up to 19,900 l/min
- Wide range of variants:
M3 to M7 and G $\frac{1}{8}$ to G1

Silencers U/UC

Product range overview

FESTO

Design	Type	Connection D1		For tubing I.D.	Push-in sleeve Ø	Noise level [dB (A)]	Free of copper, PTFE and silicone	→ Page
		M thread	G thread					
Sintered metal								
	U-PK-3	-	-	3	-	< 70	-	3 / 6.1-3
	U-PK-4	-	-	4	-	< 74		
	U-M3	M3	-	-	-	< 65		
	U-M5	M5	-	-	-	< 70		
Polymer								
	U-1/8	-	G1/8	-	-	< 77	■	3 / 6.1-4
	U-1/4	-	G1/4	-	-	< 77		
	U-3/8	-	G3/8	-	-	< 82		
	U-1/2	-	G1/2	-	-	< 80		
	U-3/4	-	G3/4	-	-	< 83		
	U-1	-	G1	-	-	< 84		
Die-cast metal								
	U-1/8-B	-	G1/8	-	-	< 74	■	3 / 6.1-4
	U-1/4-B	-	G1/4	-	-	< 79		
	U-3/8-B	-	G3/8	-	-	< 80		
	U-1/2-B	-	G1/2	-	-	< 80		
	U-3/4-B	-	G3/4	-	-	< 81		
	U-1-B	-	G1	-	-	< 82		
Push-in sleeve for push-in fitting QS, Quick Star								
	UC-QS-3H	-	-	-	3	< 60	-	3 / 6.1-5
	UC-QS-4H	-	-	-	4	< 60		
	UC-QS-6H	-	-	-	6	< 60		
	UC-QS-8H	-	-	-	8	< 60		
	UC-QS-10H	-	-	-	10	< 68		
For solenoid valves CPE, Compact Performance								
	UC-M5	M5	-	-	-	< 60	-	3 / 6.1-5
	UC-M7	M7	-	-	-	< 58		
	UC-1/8	-	G1/8	-	-	< 59		
	UC-1/4	-	G1/4	-	-	< 60		
For soft start/quick exhaust valve MS6-SV								
	UOS-1	-	G1	-	-	< 75	■	11-21
For vacuum generators VN								
	UO-M7	M7	-	-	-		■	Volume 6
	UO-1/8	-	G1/8	-	-			
	UO-1/4	-	G1/4	-	-			
Filter silencer								
	LFU-1/4	-	G1/4	-	-	< 40	■	3 / 4.3-13
	LFU-3/8	-	G3/8	-	-			
	LFU-1/2	-	G1/2	-	-			
	LFU-1	-	G1	-	-			

-  - Note
Clean silencers with kerosene or benzene (not with trichloroethylene).

Silencers U

Technical data



Silencer U

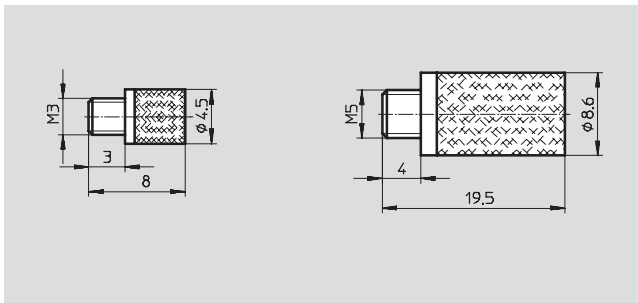
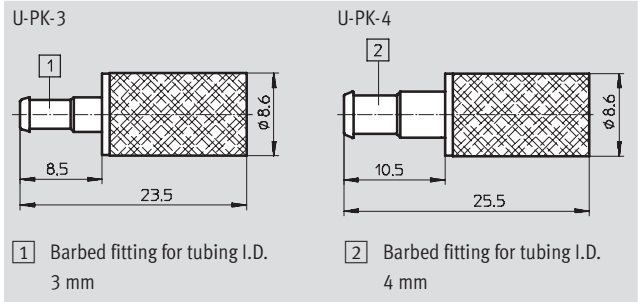
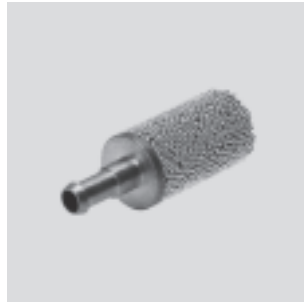
Compact design

Operating pressure: 0 ... 10 bar
 Temperature range: -10 ... +70 °C
 (note operating range of tubing used)

Material:

Threaded collar: Brass
 Silencer insert: Bronze

Note on materials:
 Conforms to RoHS



Technical data and ordering data							
Pneumatic connection	Noise level ¹⁾	Nominal size	Standard nominal flow rate ²⁾	Weight	Part No.	Type	PU*
	[dB (A)]						
PK-3	< 70	2.5	80	5	4 646	U-PK-3	10
PK-4	< 74	3.4	150	5	4 932	U-PK-4	10
M3	< 65	1.5	110	4	163 978	U-M3	10
M5	< 70	2.5	90	5	4 645	U-M5	10
					534 221	U-M5-50	50

1) At 6 bar with respect to atmosphere at a distance of 1 m
 2) At 7 bar at inlet with respect to atmosphere
 * Packaging unit quantity

Silencers U

Technical data

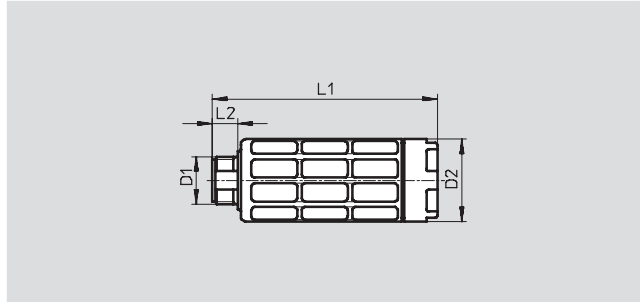


Silencer U

Plastic version

Operating pressure: 0 ... 10 bar
Temperature range: -10 ... +70 °C

Material:
Housing: Polyacetal
Silencer insert: Polyethylene
Free of copper and PTFE
Conforms to RoHS



Technical data, dimensions and ordering data

Pneumatic connection D1	Noise level ¹⁾ [dB (A)]	Nominal size [mm]	Standard nominal flow rate ²⁾ [l/min]	Weight [g]	D2 ∅	L1	L2	Part No.	Type	PU*
G1/8	< 77	6.4	2050	2	15.2	35.9	5.5	2 307	U-1/8	1
								534 222	U-1/8-50	50
G1/4	< 77	8	3400	8	19	57	6.5	2 316	U-1/4	1
								534 223	U-1/4-20	20
G3/8	< 82	11	5900	30	33.5	78.8	7.5	2 309	U-3/8	1
								534 224	U-3/8-20	20
G1/2	< 80	15	10600	58	43	88.1	9	2 310	U-1/2	1
								534 225	U-1/2-20	20
G3/4	< 83	18.6	15000	83	45	120.7	10.5	2 311	U-3/4	1
G1	< 84	22	19900	140	55	126.5	11.5	2 312	U-1	1

1) At 6 bar with respect to atmosphere at a distance of 1 m

2) At 7 bar at inlet with respect to atmosphere

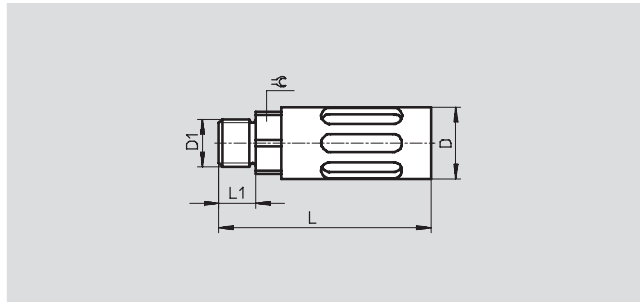
* Packaging unit quantity

Silencer U...-B

Die-cast version

Operating pressure: 0 ... 10 bar
Temperature range: -10 ... +70 °C

Material:
Housing: Die-cast aluminium
Silencer insert: Polyethylene
Free of copper and PTFE



Technical data, dimensions and ordering data

Pneumatic connection D1	Noise level ¹⁾ [dB (A)]	Nominal size [mm]	Standard nominal flow rate ²⁾ [l/min]	Weight [g]	D ∅	L	L1	∅	Part No.	Type
G1/8	< 74	5.3	1450	8	16	39.2	5.5	14	6 841	U-1/8-B
G1/4	< 79	7.5	3000	17	19.5	55.6	6.5	17	6 842	U-1/4-B
G3/8	< 80	9	4500	37	25	86.6	7.5	19	6 843	U-3/8-B
G1/2	< 80	14	6500	75	28	116.5	9	24	6 844	U-1/2-B
G3/4	< 81	17	11000	120	38	138	10.5	32	6 845	U-3/4-B
G1	< 82	23.5	17300	233	47.8	177	11.5	36	151 990	U-1-B

1) At 6 bar with respect to atmosphere at a distance of 1 m

2) At 7 bar at inlet with respect to atmosphere

Silencers UC

Technical data

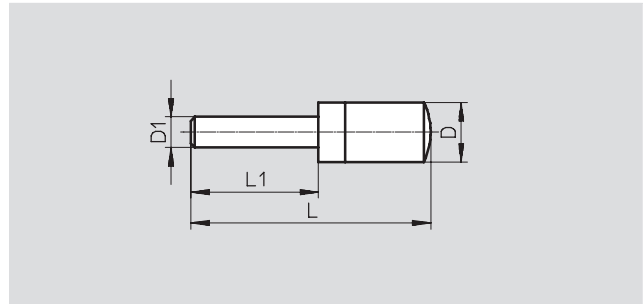


Silencer UC-QS

with push-in sleeve for push-in fitting
QS, Quick Star

Operating pressure: 0 ... 10 bar
Temperature range: -10 ... +70 °C

Material:
Threaded collar: Polyethylene
Silencer insert: Polyethylene



Technical data, dimensions and ordering data									
Push-in sleeve Ø D1	Noise level ¹⁾ [dB (A)]	Nominal size [mm]	Standard nominal flow rate ²⁾ [l/min]	Weight [g]	D Ø	L	L1	Part No.	Type
3	< 60	2.1	170	0.4	7.8	29.1	14.4	165 005	UC-QS-3H
4	< 60	2.9	350	0.5	7.8	31.4	16.7	165 006	UC-QS-4H
6	< 60	4.2	800	1.1	9.8	41.3	17.2	165 007	UC-QS-6H
8	< 60	6.4	1500	2.3	13.8	54.4	23.4	175 611	UC-QS-8H
10	< 68	7.6	3100	5.5	17.8	68.7	26.7	526 475	UC-QS-10H

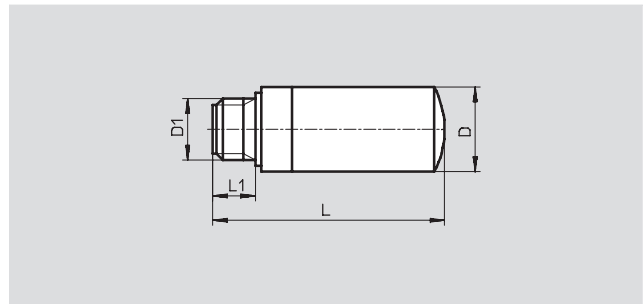
- 1) At 6 bar with respect to atmosphere at a distance of 1 m
2) At 7 bar at inlet with respect to atmosphere

Silencer UC

for solenoid valves CPE,
Compact Performance

Operating pressure: 0 ... 10 bar
Temperature range: -10 ... +70 °C

Material:
Threaded collar: Polyethylene
Silencer insert: Polyethylene



Technical data, dimensions and ordering data										
Pneumatic connection D1	Noise level ¹⁾ [dB (A)]	Nominal size [mm]	Standard nominal flow rate ²⁾ [l/min]	Weight [g]	D Ø	L	L1	Part No.	Type	PU*
M5	< 60	2.9	350	0.4	7.8	19.4	4.5	165 003	UC-M5	1
								534 217	UC-M5-50	50
M7	< 58	4.2	800	0.9	9.8	30	5.5	161 418	UC-M7	1
								534 218	UC-M7-50	50
G ¹ / ₈	< 59	6.4	1700	1.9	13.8	38	6.5	161 419	UC- ¹ / ₈	1
								534 219	UC- ¹ / ₈ -50	50
G ¹ / ₄	< 60	9.0	3200	5.2	17.8	51	8.5	165 004	UC- ¹ / ₄	1
								534 220	UC- ¹ / ₄ -20	20

- 1) At 6 bar with respect to atmosphere at a distance of 1 m
2) At 7 bar at inlet with respect to atmosphere
* Packaging unit quantity