

Cartridge fittings QSP, Quick Star


Technical data




Cartridge fittings QSP18

Material:

- Housing: Polybutene terephthalate
- Release ring: Polyacetate
- Tubing seal: Nitrile rubber
- Tube retaining claw: High-alloy stainless steel

-  - Ambient temperature
-10 ... +80 °C

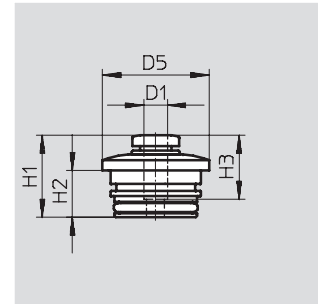
-  - Temperature dependent
operating pressure
-0.95 ... +14 bar

Note on materials:
Conforms to RoHS

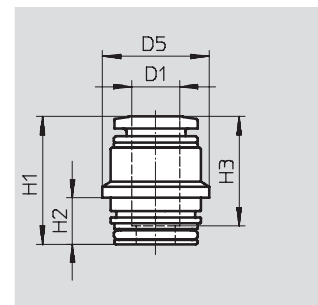
Certification:
Germanischer Lloyd



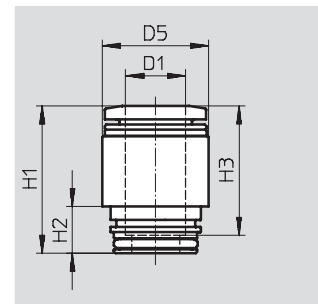
QSP18-4



QSP18-6 / QSP18-8



QSP18-10



Dimensions and ordering data										
Tubing O.D.	Nominal size	D5	H1	H2	H3	CRC ¹⁾	Weight/piece	Part No.	Type	PU ²⁾
D1	[mm]	∅					[g]			
4	2.3	17.7	13.6	7.75	11.6	1	2.8	130 839	QSP18-4	10
6	3.8	17.7	13.7	7.75	11.9	1	3	130 840	QSP18-6	10
8	5.5	17.7	20.7	7.75	18.2	1	5.4	130 841	QSP18-8	10
10	6.7	17.7	24.5	7.75	20.2	1	8.1	130 842	QSP18-10	10

1) Corrosion resistance class 1 to Festo standard 940 070
Components requiring low corrosion resistance. Transport and storage protection. Parts that do not have primarily decorative surface requirements, e.g. in internal areas that are not visible or behind covers.
2) Packaging unit quantity.


Cartridge fittings QSP, Quick Star


Technical data

Cartridge fittings QSPL18

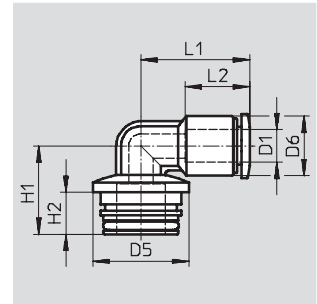
Material:

- Housing: Polybutene terephthalate
- Release ring: Polyacetate
- Tubing seal: Nitrile rubber
- Tube retaining claw: High-alloy stainless steel

 Ambient temperature
-10 ... +80 °C

 Temperature dependent
operating pressure
-0.95 ... +14 bar

 Note on materials:
Conforms to RoHS

 Certification:
Germanischer Lloyd



Dimensions and ordering data												
Tubing O.D.	Nominal size	D5	D6	H1	H2	L1	L2	CRC ¹⁾	Weight/piece	Part No.	Type	PU ²⁾
D1	[mm]	∅	∅						[g]			
4	2.3	17.7	9	15.3	7.75	19.4	11.6	1	3.2	130 843	QSPL18-4	10
6	3.6	17.7	11	16.3	7.75	20.3	11.9	1	3.9	130 844	QSPL18-6	10
8	5.2	17.7	15	18.3	7.75	27.2	18.2	1	7.5	130 845	QSPL18-8	10


- 1) Corrosion resistance class 1 to Festo standard 940 070
Components requiring low corrosion resistance. Transport and storage protection. Parts that do not have primarily decorative surface requirements, e.g. in internal areas that are not visible or behind covers.
- 2) Packaging unit quantity.

Cartridge fittings QSPLL18

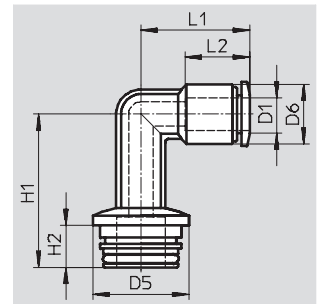
Material:

- Housing: Polybutene terephthalate
- Release ring: Polyacetate
- Tubing seal: Nitrile rubber
- Tube retaining claw: High-alloy stainless steel

 Ambient temperature
-10 ... +80 °C

 Temperature dependent
operating pressure
-0.95 ... +14 bar

 Note on materials:
Conforms to RoHS

 Certification:
Germanischer Lloyd


Dimensions and ordering data												
Tubing O.D.	Nominal size	D5	D6	H1	H2	L1	L2	CRC ¹⁾	Weight/piece	Part No.	Type	PU ²⁾
D1	[mm]	∅	∅						[g]			
4	2.3	17.7	9	25.3	7.75	19.4	11.6	1	3.5	130 846	QSPLL18-4	10
6	3.6	17.7	11	38.3	7.75	20.3	11.9	1	4.3	130 847	QSPLL18-6	10
8	5.2	17.7	15	34.3	7.75	27.2	18.2	1	8.1	130 848	QSPLL18-8	10

- 1) Corrosion resistance class 1 to Festo standard 940 070
Components requiring low corrosion resistance. Transport and storage protection. Parts that do not have primarily decorative surface requirements, e.g. in internal areas that are not visible or behind covers.
- 2) Packaging unit quantity.