

## Elbow Push-in Fittings, Type QBL

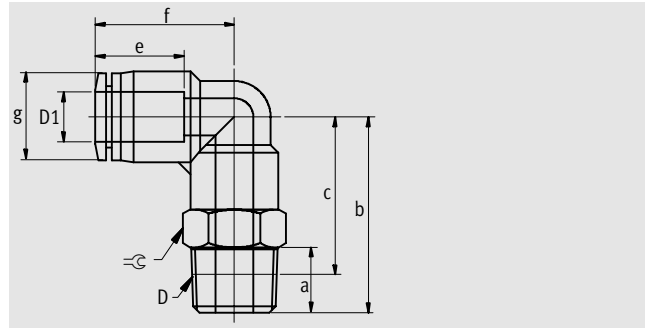
Inch Series

### Elbow Fittings

UNF Thread

Inch tubing connection

Sold in 20 piece packages



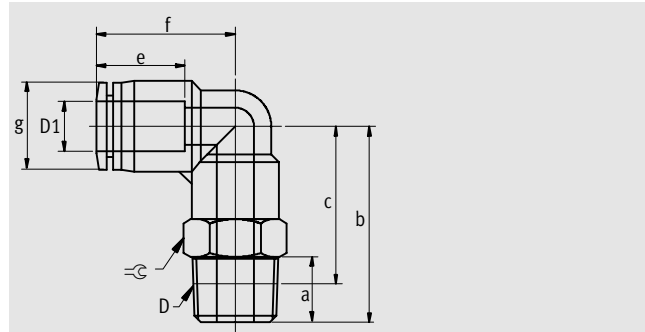
Dimensions and Ordering Data											
Type	Thread Connection D	Orifice ∅ inches	For Inch tubing O.D. D1	Weight oz	Dimensions inches						
					a	b	c	e	f	g	⌀
<b>UNF Thread with Sealing Ring</b>											
QBL-10/32UNF-1/8-U	UNF10-32	0.100	1/8	0.15	0.142	0.571	0.429	0.433	0.528	0.303	5/16
QBL-10/32UNF-5/32-U		0.100	5/32	0.28	0.142	0.843	0.701	0.638	0.732	0.413	3/8
QBL-10/32UNF-3/16-U		0.120	3/16	0.30	0.142	0.921	0.780	0.661	0.752	0.453	7/16
QBL-10/32UNF-1/4-U		0.100	1/4	0.47	0.142	1.020	0.878	0.681	0.803	0.512	1/2

### Elbow Fittings

NPT Thread

Inch tubing connection

Sold in 20 piece packages



Dimensions and Ordering Data											
Type	Thread Connection D	Orifice ∅ inches	For Inch tubing O.D. D1	Weight oz	Dimensions inches						
					a	b	c	e	f	g	⌀
<b>NPT Thread</b>											
QBL-1/8-1/8-U	NPT1/8	0.100	1/8	0.31	0.335	0.760	0.602	0.433	0.528	0.303	7/16
QBL-1/8-5/32-U		0.120	5/32	0.36	0.335	0.984	0.827	0.638	0.732	0.413	7/16
QBL-1/8-3/16-U		0.120	3/16	0.38	0.335	0.984	0.827	0.661	0.752	0.453	7/16
QBL-1/8-1/4-U		0.177	1/4	0.56	0.335	1.095	0.937	0.681	0.803	0.512	1/2
QBL-1/8-5/16-U		0.236	5/16	0.67	0.335	1.158	1.000	0.716	0.878	0.571	9/16
QBL-1/4-3/16-U	NPT1/4	0.120	3/16	0.62	0.413	1.102	0.905	0.661	0.752	0.453	9/16
QBL-1/4-1/4-U		0.177	1/4	0.67	0.413	1.201	1.004	0.681	0.803	0.512	9/16
QBL-1/4-5/16-U		0.236	5/16	0.76	0.413	1.236	1.039	0.716	0.878	0.571	9/16
QBL-1/4-3/8-U		0.315	3/8	1.04	0.413	1.260	1.063	0.783	0.941	0.689	11/16
QBL-3/8-1/4-U	NPT3/8	0.177	1/4	1.00	0.453	1.240	1.024	0.681	0.803	0.512	11/16
QBL-3/8-5/16-U		0.236	5/16	1.03	0.453	1.276	1.059	0.716	0.878	0.571	11/16
QBL-3/8-3/8-U		0.315	3/8	1.19	0.453	1.299	1.083	0.783	0.941	0.689	11/16
QBL-3/8-1/2-U	NPT1/2	0.394	1/2	1.50	0.453	1.437	1.220	0.905	1.122	0.827	3/4
QBL-1/2-3/8-U		0.315	3/8	1.90	0.571	1.417	1.142	0.783	0.941	0.689	7/8
QBL-1/2-1/2-U		0.394	1/2	1.98	0.571	1.555	1.280	0.905	1.122	0.827	7/8