

Straight Push-in Fittings, Type QB

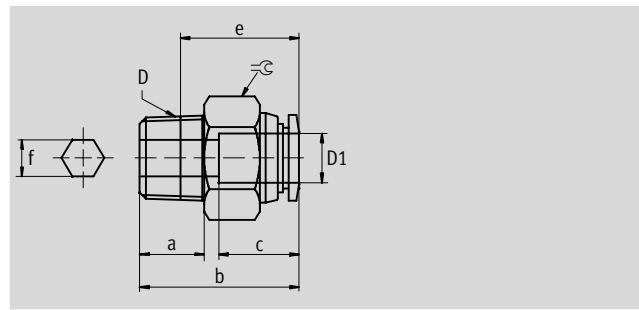
Inch Series

Straight Fittings

UNF thread

Inch tubing connection

Sold in 20 piece packages



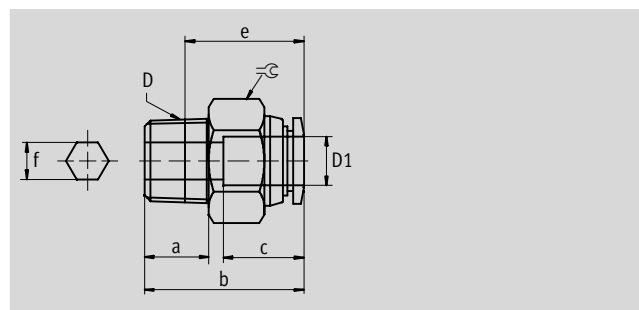
Dimensions and Ordering Data										
Type	Thread Connection D	Orifice ∅ inches	For Inch tubing O.D. D1	Weight oz	Dimensions inches					
					a	b	c	e	f	≅
UNF Thread with Sealing Ring										
QB-10/32UNF-1/8-U	UNF10-32	0.100	1/8	0.12	0.142	0.630	0.433	0.488	∅0.1	5/16
QB-10/32UNF-5/32-U		0.100	5/32	0.28	0.142	0.843	0.638	0.701	∅0.1	7/16
QB-10/32UNF-3/16-U		0.100	3/16	0.26	0.142	0.866	0.661	0.724	∅0.1	7/16
QB-10/32UNF-1/4-U		0.100	1/4	0.36	0.142	0.913	0.681	0.772	∅0.1	1/2

Straight Fittings

NPT thread

Inch tubing connection

Sold in 20 piece packages



Dimensions and Ordering Data										
Type	Thread Connection D	Orifice ∅ inches	For Inch tubing O.D. D1	Weight oz	Dimensions inches					
					a	b	c	e	f	≅
NPT Thread										
QB-1/8-1/8-U	NPT1/8	0.100	1/8	0.28	0.335	0.724	0.433	0.567	∅0.1	7/16
QB-1/8-5/32-U		0.125	5/32	0.27	0.335	0.768	0.938	0.610	1/8	7/16
QB-1/8-3/16-U		0.125	3/16	0.34	0.335	0.909	0.661	0.752	1/8	7/16
QB-1/8-1/4-U		0.156	1/4	0.36	0.335	0.937	0.681	0.780	3/16	1/2
QB-1/8-5/16-U		0.250	5/16	0.55	0.335	1.110	0.716	0.953	1/4	9/16
QB-1/4-3/16-U	NPT1/4	0.125	3/16	0.59	0.413	0.909	0.661	0.712	1/8	9/16
QB-1/4-1/4-U		0.156	1/4	0.52	0.413	0.913	0.681	0.716	3/16	9/16
QB-1/4-5/16-U		0.250	5/16	0.51	0.413	1.024	0.716	0.827	1/4	9/16
QB-1/4-3/8-U		0.313	3/8	0.90	0.413	1.224	0.783	1.027	5/16	11/16
QB-3/8-1/4-U	NPT3/8	0.156	1/4	0.99	0.453	0.953	0.681	0.736	3/16	11/16
QB-3/8-5/16-U		0.250	5/16	0.83	0.453	1.275	0.716	1.059	1/4	11/16
QB-3/8-3/8-U		0.315	3/8	0.07	0.453	0.976	0.783	0.760	5/16	11/16
QB-3/8-1/2-U		0.375	1/2	1.35	0.453	1.256	0.905	1.039	3/8	7/8
QB-1/2-3/8-U	NPT1/2	0.315	3/8	1.63	0.571	0.945	0.783	0.669	5/16	7/8
QB-1/2-1/2-U		0.375	1/2	1.57	0.571	1.236	0.905	0.960	3/8	7/8