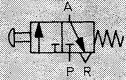


# Manually Actuated Palm Button Valve

3/2 - 3 Way, 2 Position Valves, Directly Actuated, G 1/8 ISO

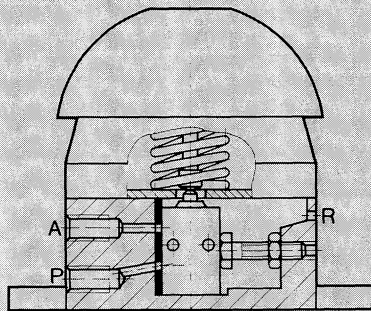
## Heavy-Duty Palm Button Valve

Spring Return  
Type PV-3-1/8

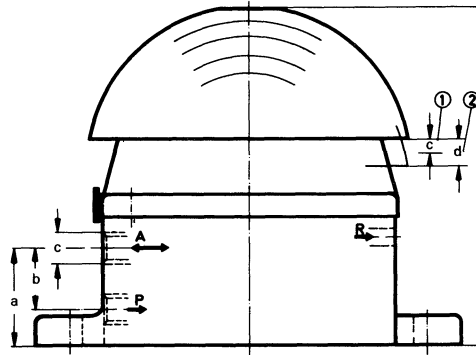
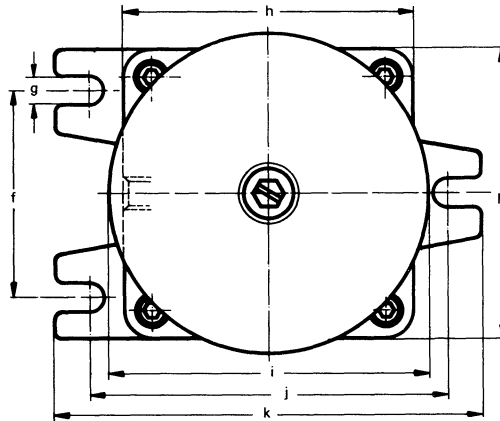
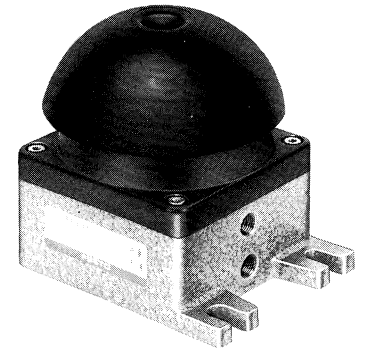


The valve with its large operating surface is suited for heavy duty actuation by hand or foot.

Example: PV-3-1/8



1 (P) = Supply (or vacuum)  
2 (A) = Outlet  
3 (R) = Exhaust



### Dimensions

a	1.06 in / 27 mm
b	0.69 in / 17.5 mm
c	0.31 in / 8 mm
d	0.39 in / 10 mm
e	5.06 in / 101 mm
f	2.36 in / 60 mm
g	0.34 in / 8.6 mm
h	3.35 in / 85 mm
i	3.66 in / 93 mm
j	4.10 in / 104 mm
k	4.89 in / 124 mm
l	3.35 in / 85 mm

① Actuating Stroke  
② Total Stroke

Order Number	3648 PV-3-1/8
Medium	Compressed air (filtered, lubricated or unlubricated) can be used for vacuum
Mounting	Base mount
Connection	G 1/8 ISO
Orifice Size	0.08 in / 2 mm
C <sub>v</sub> Factor	0.08 C <sub>v</sub> / 80 l/min
Pressure Range	28.5 in Hg-120 psi / -0.95-8 bar
Operating Force at 90 psi / 6 bar Supply*	8 lbf / 35 N
Design	Seat valve, directly actuated, spring return
Material	Housing: Diecast Al. Switch: Plastic, Seals: Buna N.
Weight	1.146 lb / 0.520 kg

\* 14 to 140°F / -10 to +60°C