


Pressure gauges PAGN

Technical data

Function



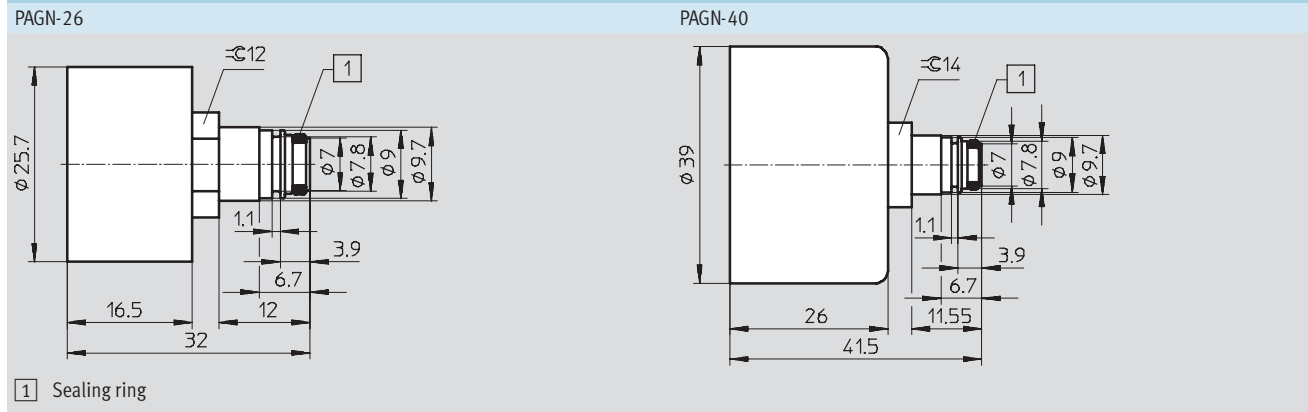
 Temperature range
-5 ... +50 °C



Technical data				
Nominal size	26		40	
Pneumatic connection	QSP-10		QSP-10	
Operating medium	Filtered compressed air, grade of filtration 40 µm, lubricated or unlubricated			
Operating pressure [bar]	6	10	6	10
Indicating range	[bar]	0 ... 10	0 ... 16	0 ... 10
	[psi]	0 ... 145	0 ... 240	0 ... 145
Conforms to	ISO 15407-2		-	
Type of mounting	Via retaining clamp			
Type of seal on threaded collar	Sealing ring			
Ambient temperature [°C]	-5 ... +50			
Storage temperature [°C]	-20 ... +40			
Accuracy of measurement, class	4.0			
Protection class	IP	65		
	NEMA	4		
Weight [g]	15		20	

Materials	
Housing	Polyamide
Dial cover	Polycarbonate
Threaded spigot	Brass

Dimensions Download CAD data → www.festo.com/en/engineering



Ordering data							
Nominal size	Pneumatic connection	Operating pressure		Indicating range		Part No.	Type
		[bar]	[bar]	[bar]	[psi]		
26	QSP-10	6	0 ... 10	0 ... 145		543 488	PAGN-26-10-P10
		10	0 ... 16	0 ... 240		543 487	PAGN-26-16-P10
40	QSP-10	6	0 ... 10	0 ... 145		548 009	PAGN-40-10-P10
		10	0 ... 16	0 ... 240		548 010	PAGN-40-16-P10