

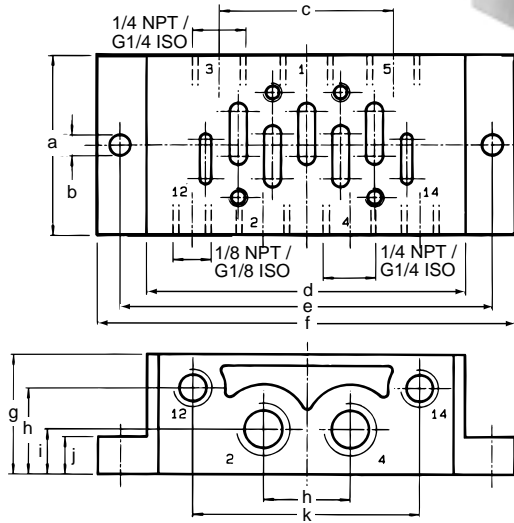
Single Sub-bases

With Mounting Pattern to ISO 5599/I, Table 1, Size 1 and External Dimensions to VDMA 24345.

Single sub-base
Side ported

Type NAS-1/4-1A-ISO
NAS-1/4 NPT-1A

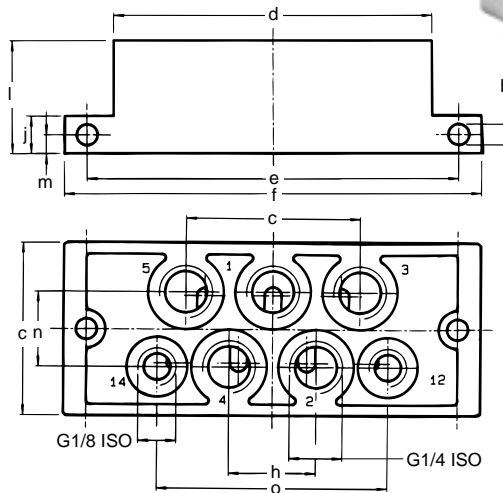
Type NAS-1/4-1A-ISO
NAS-1/4 NPT-1A



Single sub-base
Bottom ported

Type NAU-1/4-1B-ISO

Type NAU-1/4-1B-ISO



Dimensions

a	1.89 in / 48 mm
b	0.22 in / 5.5 mm
c	1.81 in / 46 mm
d	3.31 in / 84 mm
e	3.86 in / 98 mm
f	4.33 in / 110 mm
g	1.26 in / 32 mm
h	0.91 in / 23 mm
i	0.47 in / 12 mm
j	0.39 in / 10 mm
k	2.36 in / 60 mm
l	1.18 in / 30 mm
m	0.20 in / 5 mm
n	0.79 in / 20 mm
o	2.40 in / 61 mm

- 1 (P) = Supply port
- 4, 2 (A, B) = Working or outlet ports
- 5, 3 (R, S) = Exhaust ports
- 12, 14 (Y, Z) = Pilot ports

Order Number	Metric	9484 NAS-1/4-1A-ISO	9485 NAU-1/4-1B-ISO
Part No./Type	NPT	13994 NAS-1/4 NPT-1A	—
Mounting		2 through-holes in housing	
Connection	Working Ports	G 1/4 ISO / 1/4 NPT	G 1/4 ISO
	Pilot Ports	G 1/8 ISO / 1/8 NPT	G 1/8 ISO
Materials		Diecast Al, anodized	
Weight		0.419 lb / 0.190 kg	0.617 lb / 0.280 kg