

Electrical Pressure Regulators MS6-LRE – Metric Series

FESTO



The electrical pressure regulator maintains incoming compressed air at the set output pressure. It also maintains a constant output pressure independent of pressure fluctuations and air consumption. The output pressure is set indirectly via an integrated electrical drive unit. The drive unit can be operated either with digital inputs via the M12 plug or using the optional control and display unit. The direction of rotation of the drive unit is thus pre-set, which makes adjustment of the output pressure in the rising or falling direction possible. In the event of a power failure, the last drive unit or output pressure setting is saved. Pneumatic pressure regulation continues to function.

- Pneumatic connection: G $\frac{1}{4}$, G $\frac{3}{8}$, G $\frac{1}{2}$, G $\frac{3}{4}$
- Supply pressure: 0.8 ... 20 bar
- Flow rate: 2,200 ... 7,500 l/min

Product Range Overview											
Type	Pneumatic connections		Pressure regulation range [bar]				Pressure indicator				Reverse flow
	Body thread	Port plate	0.3 ... 4	0.3 ... 7	0.5 ... 12	0.5 ... 16	Cover plate (without pressure gauge)	Integrated MS pressure gauge	Adapter for pressure gauge G $\frac{1}{8}$	Adapter for pressure gauge G $\frac{1}{4}$	Flow direction from right to left
MS6		AG...	D5	D6	D7	D8	VS	AG	A8	A4	Z
LRE	G $\frac{1}{4}$, G $\frac{3}{8}$, G $\frac{1}{2}$	G $\frac{1}{4}$, G $\frac{3}{8}$, G $\frac{1}{2}$, G $\frac{3}{4}$	■	■	■	■	■	■	-	■	■

Features

- Constant output pressure even in the event of a power failure thanks to the fail-safe function
- Four pressure regulation ranges
- Available with or without secondary venting
- Optional control unit with display
- Optional integrated pressure sensor with electrical output

Contents

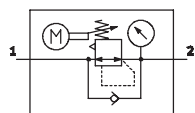
Technical Data	→ 734
Dimensional Drawings	→ 737
Ordering Data	→ 739
Accessories	→ 742

→ www.festo.com/catalog/ms6-lre

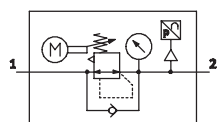
Electrical Pressure Regulators MS6-LRE – Metric Series

Technical Data

ISO Symbol



With pressure gauge



With pressure gauge and integrated pressure sensor



Note

The electrical pressure regulator is not suitable for the set-up of closed control loops.

General Technical Data			G1/4	G3/8	G1/2
Pneumatic connection 1, 2					
Supply pressure	[bar]	0.8 ... 20			
Pressure regulation range	D5	[bar]	0.3 ... 4		
	D6	[bar]	0.3 ... 7		
	D7	[bar]	0.5 ... 12		
	D8	[bar]	0.5 ... 16		
Max. hysteresis	[bar]	0.25			

Note: This product conforms with the ISO 1179-1 standard and the ISO 228-1 standard.

Standard Nominal Flow Rate $q_{nN}^{1)}$ [l/min]				
Pneumatic connection 1, 2		G1/4	G3/8	G1/2
Pressure regulation range	D5	2,400 ²⁾	5,500 ²⁾	7,500 ²⁾
	D6	3,000	5,800	6,500
	D7	2,700	4,500	5,500
	D8	2,200	4,000	4,500

1) Measured at $p_1 = 10$ bar and $p_2 = 6$ bar, $\Delta p = 1$ bar

2) Measured at $p_1 = 10$ bar and $p_2 = 3$ bar, $\Delta p = 1$ bar

Electrical Pressure Regulators MS6-LRE – Metric Series

Technical Data

Electrical Data		Without integrated pressure sensor	With integrated pressure sensor	
			PI (I out)	PU (V out)
Analog output	[V]	–	–	0 ... 10
	[mA]	–	4 ... 20	–
Analog outputs, absolute accuracy at 25 °C	[%]	–	±3	±3
Cable interface	Inputs	Plug M12x1, 5-pin		
	Outputs	–	Plug M8x1, 3-pin	
Design of inputs		To IEC 61131-2, no electrical isolation		
Nominal operating voltage	[V DC]	24		
Permissible voltage fluctuations	[%]	±10		
Current consumption at 24 V DC	[A]	Max. 3.5		
Current consumption at nominal operating voltage	[A]	Max. 1		
Duration of actuation at 25°C	[s]	Max. 90 ¹⁾		
Protection against short circuit		For all electrical connections		
Protection class		IP65		

1) In order to prevent the drive from overheating, a control/pause ratio of 1:3 must be observed.

Operating and Environmental Conditions	
Operating medium	Compressed air, air quality class 5.4.– to DIN ISO 8573-1
Ambient temperature	[°C] 0 ... +50
Temperature of medium	[°C] 0 ... +50
Storage temperature	[°C] 0 ... +50
Assembly position	Any, preferably vertical
Corrosion resistance	CRC ¹⁾ 2

1) Corrosion resistance class 2 according to Festo standard 940 070
 Components requiring moderate corrosion resistance. Externally visible parts with primarily decorative surface requirements which are in direct contact with a normal industrial environment or media such as coolants or lubricating agents.

Weights [g]	
Electrical pressure regulator	1,280

- For spare parts go to: www.festo.com/en/spare_parts_service

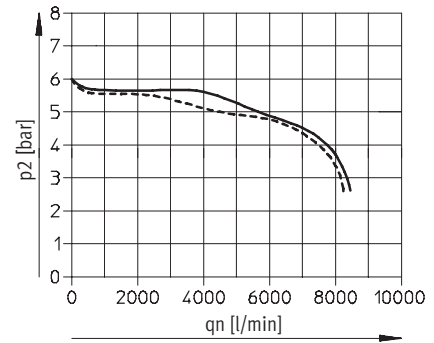
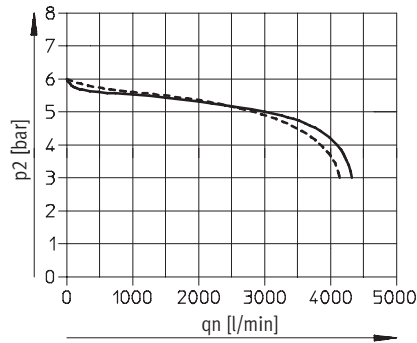
Electrical Pressure Regulators MS6-LRE – Metric Series

Technical Data

Standard Flow Rate q_n as a Function of Output Pressure p_2

MS6-LRE-1/4 MS6-LRE-3/8

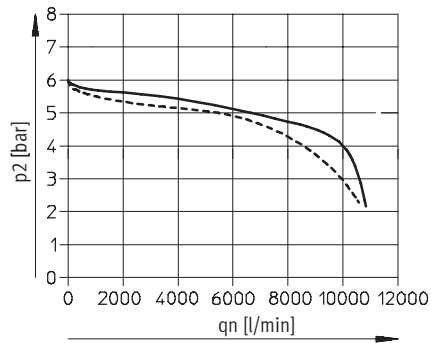
Primary pressure $p_1 = 10$ bar



— D6: 0.3 ... 7 bar
- - - D7: 0.5 ... 12 bar

MS6-LRE-1/2

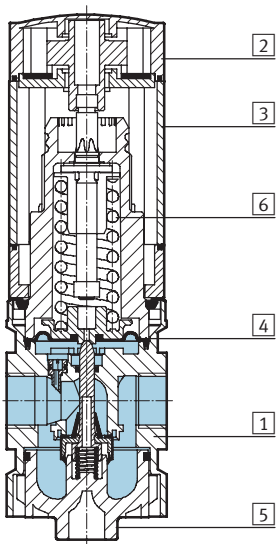
Primary pressure $p_1 = 10$ bar



— D6: 0.3 ... 7 bar
- - - D7: 0.5 ... 12 bar

Materials

Sectional view



Electrical pressure regulator		
1	Body	Die-cast aluminum
2	Drive housing	Reinforced polyamide
3	Profile housing	Wrought aluminum alloy
4	Diaphragm	Nitrile rubber
5	Bottom cap	Polyester, fiberglass reinforced
6	Springs	Steel
-	Display and control unit	Polyamide
-	Seals	Nitrile rubber

Electrical Pressure Regulators MS6-LRE – Metric Series

Dimensional Drawings

Dimensions¹⁾ – Standard Download CAD Data → www.festo.com/us/cad

With pressure gauge, display unit [bar]

Type	D1
MS6-LRE-1/4	G1/4
MS6-LRE-3/8	G3/8
MS6-LRE-1/2	G1/2

1) Dimensions are in millimeters, unless otherwise noted.

Dimensions¹⁾ – Pressure Gauge Alternatives Download CAD Data → www.festo.com/us/cad

Cover plate VS Adapter plate A4 for EN pressure gauge 1/4, without pressure gauge

Type	D1
MS6-LRE-1/4	G1/4
MS6-LRE-3/8	G3/8
MS6-LRE-1/2	G1/2

1) Dimensions are in millimeters, unless otherwise noted.

Note: This product conforms with the ISO 1179-1 standard and the ISO 228-1 standard.

Electrical Pressure Regulators MS6-LRE – Metric Series

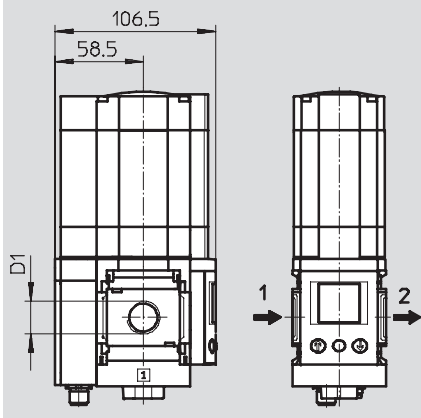


Dimensional Drawings

Dimensions¹⁾ – Pressure Gauge Alternatives

Download CAD Data → www.festo.com/us/cad

Control unit with display OP



→ Flow direction

Type	D1
MS6-LRE-1/4	G1/4
MS6-LRE-3/8	G3/8
MS6-LRE-1/2	G1/2

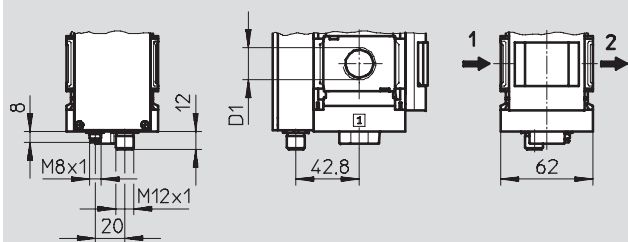
1) Dimensions are in millimeters, unless otherwise noted.

Note: This product conforms with the ISO 1179-1 standard and the ISO 228-1 standard.

Dimensions¹⁾ – Electrically Controlled Pressure Output

Download CAD Data → www.festo.com/us/cad

Integrated pressure sensor with electrical output PI/PU



→ Flow direction

1) Dimensions are in millimeters, unless otherwise noted.

Electrical Pressure Regulators MS6-LRE – Metric Series



Ordering Data – Pre-configured Products

Ordering Data						
Pressure gauge						
Connection	Pressure regulation range 0.3... 7 bar			Pressure regulation range 0.5... 12 bar		
	Part No.	Type	LT	Part No.	Type	LT
Standard						
G $\frac{1}{4}$	535358	MS6-LRE- $\frac{1}{4}$ -D6	Q	535364	MS6-LRE- $\frac{1}{4}$ -D7	Q
G $\frac{3}{8}$	535372	MS6-LRE- $\frac{3}{8}$ -D6	Q	535378	MS6-LRE- $\frac{3}{8}$ -D7	Q
G $\frac{1}{2}$	535348	MS6-LRE- $\frac{1}{2}$ -D6	Q	535354	MS6-LRE- $\frac{1}{2}$ -D7	Q
Electrically controlled pressure output (integrated pressure sensor with voltage output), M8x1 plug, 3-pin						
G $\frac{1}{4}$	535360	MS6-LRE- $\frac{1}{4}$ -D6-PI	Q	535366	MS6-LRE- $\frac{1}{4}$ -D7-PI	Q
G $\frac{3}{8}$	535374	MS6-LRE- $\frac{3}{8}$ -D6-PI	Q	535380	MS6-LRE- $\frac{3}{8}$ -D7-PI	Q
G $\frac{1}{2}$	535350	MS6-LRE- $\frac{1}{2}$ -D6-PI	Q	535356	MS6-LRE- $\frac{1}{2}$ -D7-PI	Q
Electrically controlled pressure output (integrated pressure sensor with voltage output), M8x1 plug, 3-pin						
G $\frac{1}{4}$	535362	MS6-LRE- $\frac{1}{4}$ -D6-PU	Q	535369	MS6-LRE- $\frac{1}{4}$ -D7-PU	Q
G $\frac{3}{8}$	535376	MS6-LRE- $\frac{3}{8}$ -D6-PU	Q	535382	MS6-LRE- $\frac{3}{8}$ -D7-PU	Q
G $\frac{1}{2}$	535352	MS6-LRE- $\frac{1}{2}$ -D6-PU	Q	535357	MS6-LRE- $\frac{1}{2}$ -D7-PU	Q

LT = Lead time

1D typically ships same day/next day

1W typically ships within 1 week

Q request a quote for lead time

Electrical Pressure Regulators MS6-LRE – Metric Series



Ordering Data – Configurable Products

M Mandatory Data →

Part No.	Series	Size	Function	Connection size	Pressure regulation range
535191	MS	6	LRE	1/4, 3/8, 1/2, AGB, AGC, AGD, AGE	D5 D6 D7 D8
Order example					
535191	MS	6	- LRE	- AGC	- D6

Ordering Table		Grid dimension [mm]	62	Conditions	Code	Enter code
M	Part No.	535191				
	Series	Standard			MS	MS
	Size	6			6	6
	Function	Electrical pressure regulator			-LRE	-LRE
	Connection size	Body thread G1/4			-1/4	
		Body thread G3/8			-3/8	
		Body thread G1/2			-1/2	
		Port plate G1/4 (dimensions → 745)			-AGB	
		Port plate G3/8 (dimensions → 745)			-AGC	
		Port plate G1/2 (dimensions → 745)			-AGD	
		Port plate G3/4 (dimensions → 745)			-AGE	
	Pressure regulation range	0.3 ... 4 bar			-D5	
		0.3 ... 7 bar			-D6	
		0.5 ... 12 bar			-D7	
		0.5 ... 16 bar			-D8	

Transfer order code

535191	MS	6	- LRE	-		-	
--------	----	---	-------	---	--	---	--

Electrical Pressure Regulators MS6-LRE – Metric Series



Ordering Data – Configurable Products

Options

Pressure gauge alternatives	Alternative pressure gauge scale	Secondary venting	Electrically controlled pressure output	Sensor cables	Supply cables	Type of mounting	Reverse flow direction
VS A4 OP	PSI MPA	OS	PI PU	SK2 SK5	VK2 VK5	WBE WPB	Z
- OP	-	- OS	- PU	- SK5	-	-	- Z

Ordering Table

Grid dimension	[mm]	62	Conditions	Code	Enter code
0 Pressure gauge alternatives	Cover plate			-VS	
	Adapter plate for EN pressure gauge 1/4, without pressure gauge			-A4	
	Control unit with display		1	-OP	
Alternative pressure gauge scale	psi		2	-PSI	
	MPa		2	-MPA	
Secondary venting	Without secondary venting			-OS	
Electrically controlled pressure output	Plug, M8, 3-pin, I out			-PI	
	Plug, M8, 3-pin, V out			-PU	
Sensor cables	Plug socket, M8, with cable, 2.5 m		1	-SK2	
	Plug socket, M8, with cable, 5 m		1	-SK5	
Supply cable	Plug socket, M12, with cable, 2.5 m			-VK2	
	Plug socket, M12, with cable, 5 m			-VK5	
Type of mounting	Connecting plate for direct thread MS6-AEND (dimensions → 744)		3	-WBE	
	Mounting bracket for large wall gap (dimensions → 746)		4	-WPB	
Reverse flow direction	Flow direction from right to left			-Z	

1 OP, SK2, SK5

Only with electrical pressure output PI, PU

2 PSI, MPA

Not with pressure gauge alternatives VS, A4, OP

3 WBE

Only with connection thread size 1/4, 3/8, 1/2

4 WPB

Only with port plate size AGB, AGC, AGD, AGE

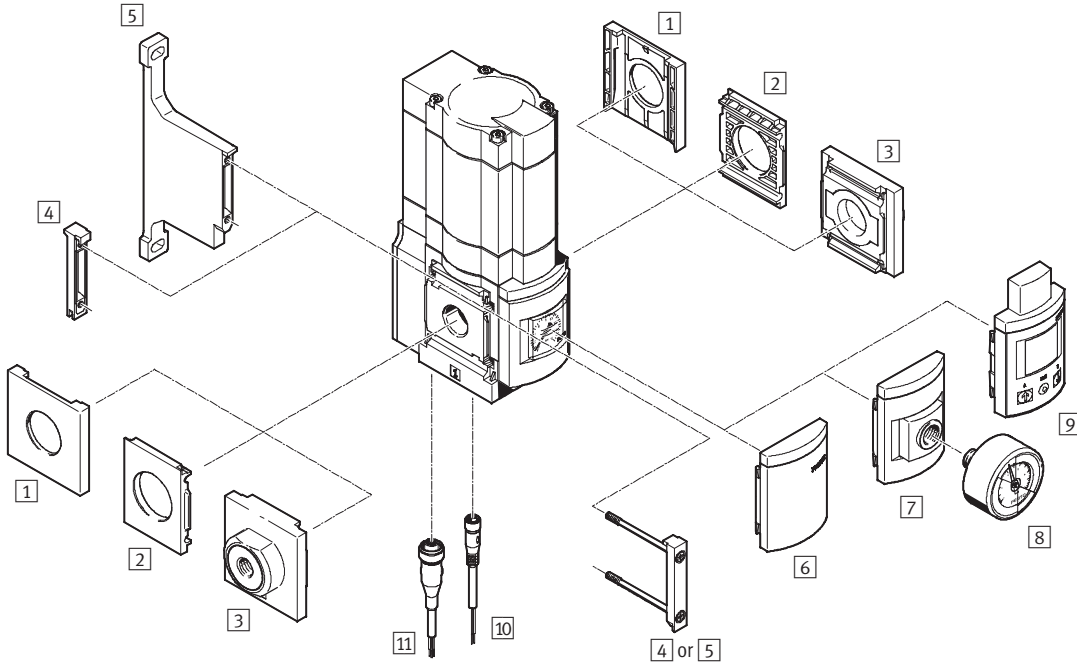
Transfer order code

- [] - [] - [] - [] - [] - [] - [] - []

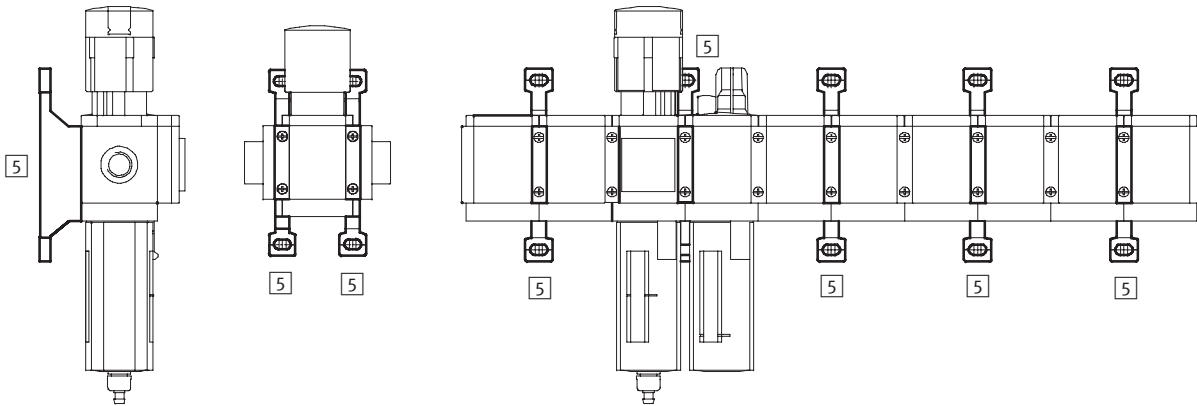
Electrical Pressure Regulators MS6-LRE – Metric Series

Accessories Overview

Mounting Attachments and Accessories



Single unit and combination unit mounting brackets.



Electrical Pressure Regulators MS6-LRE – Metric Series

Accessories Overview

Mounting Attachments and Accessories						
		Single unit		Combination unit → 3.1-1		→ Page
		Without port plate	With port plate	Without port plate	With port plate	
1	Cover cap MS6-END	-	-	■	-	744
2	Mounting plate MS6-AEND	■ ¹⁾	-	■ ²⁾	-	744
3	Port plate MS6-AG...	-	■ ¹⁾	-	■ ²⁾	745
4	Body connector MS6-MV	-	-	■	■	745
5	Mounting bracket MS6-WPB	■	■	■	■	746
6	Cover plate VS	■	■	■	■	741
7	Adapter plate for EN pressure gauge 1/4 A4	■	■	■	■	741
8	Pressure gauge MA	■	■	■	■	748
9	Control unit with display OP	■	■	■	■	740
10	Plug socket with cable SIM-M8-3...	■	■	■	■	748
11	Plug socket with cable SIM-M12-5...	■	■	■	■	748

1) Mounting bracket MS6-WPB is required for mounting.

2) Module connector MS6-MV or mounting bracket MS6-WPB is required for mounting.

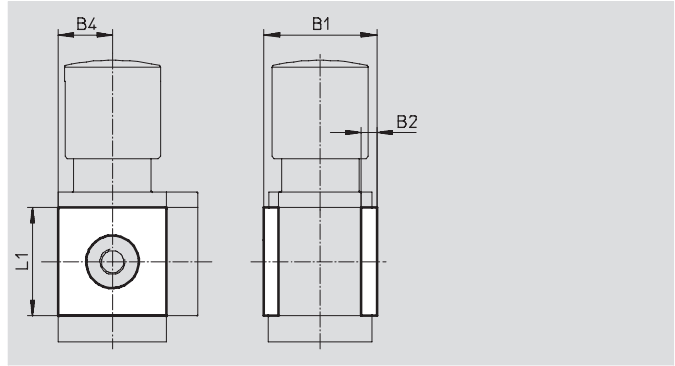
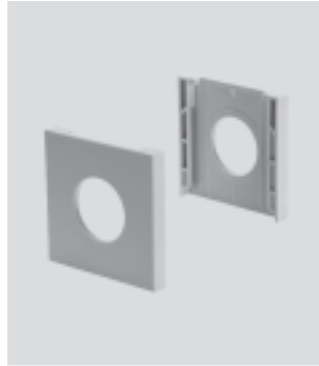
Electrical Pressure Regulators MS6-LRE – Metric Series

Accessories

1 Cover cap MS6-END

- Can be used to cover the body sides of the first and last module if port plates are not used.

Material:
Reinforced polyamide
Free of copper and PTFE



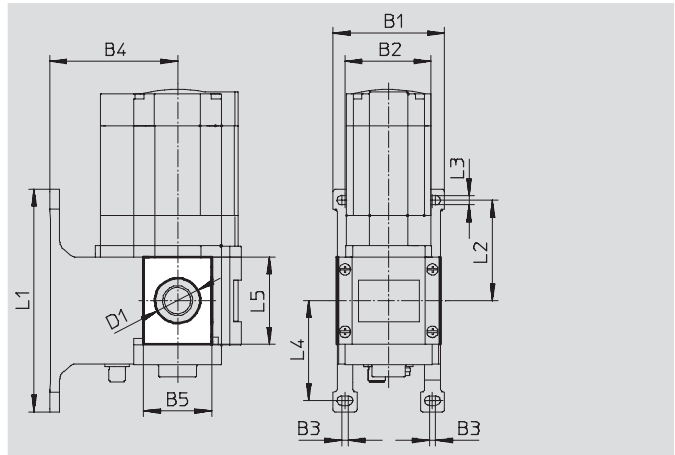
Dimensions and Ordering Data						
B1	B2	B4	L1	Part No.	Type	
67	8	31	62	538780	MS6-END	

2 Mounting plate MS6-AEND

(order code: WBE; scope of delivery includes mounting bracket MS6-WPB)

- In combination with mounting bracket MS-WPB for mounting an individual unit on a wall with body thread

Material:
Reinforced polyamide
Conforms to RoHS
Free of copper and PTFE



Dimensions and Ordering Data															
B1	B2	B3	B4		B5	D1 ∅	L1	L2	L3	L4	L5	CRC ¹⁾	Weight [g]	Part No.	Type
			WP	WPB											
79	62	4.5	54	90.5	48.4	32	158	71	6.6	71	62	2	17	535408	MS6-AEND

1) Corrosion resistance class 2 according to Festo standard 940 070
Components requiring moderate corrosion resistance. Externally visible parts with primarily decorative surface requirements which are in direct contact with a normal industrial environment or media such as coolants or lubricating agents.

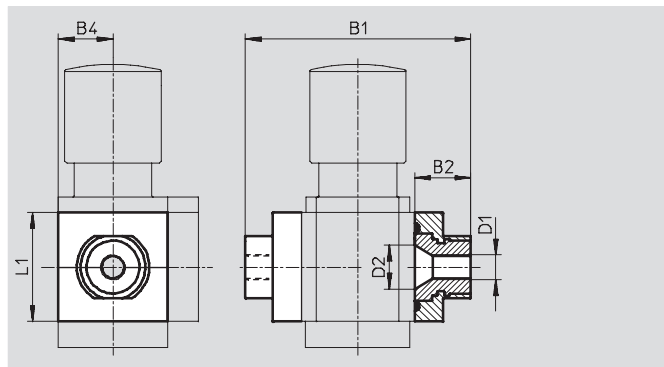
Electrical Pressure Regulators MS6-LRE – Metric Series

Accessories

3 Port plate MS6-AG...

- Adapter for pneumatic connection
- MS6-AGE for implementing threaded connection G $\frac{3}{4}$

Material:
Aluminum



Dimensions and Ordering Data								
B1	B2	B4	D1	D2	L1	Weight [g]	Part No.	Type
115	26.5	31	G $\frac{1}{4}$	24	62	300	526080	MS6-AGB
			G $\frac{3}{8}$				526081	MS6-AGC
			G $\frac{1}{2}$				526082	MS6-AGD
			G $\frac{3}{4}$				526083	MS6-AGE

4 Body connector MS...-MV

- For connecting modules

Material:
Stainless steel/polyacetate



Ordering Data		
Weight [g]	Part No.	Type
54	532799	MS6-MV

Electrical Pressure Regulators MS6-LRE – Metric Series

Accessories

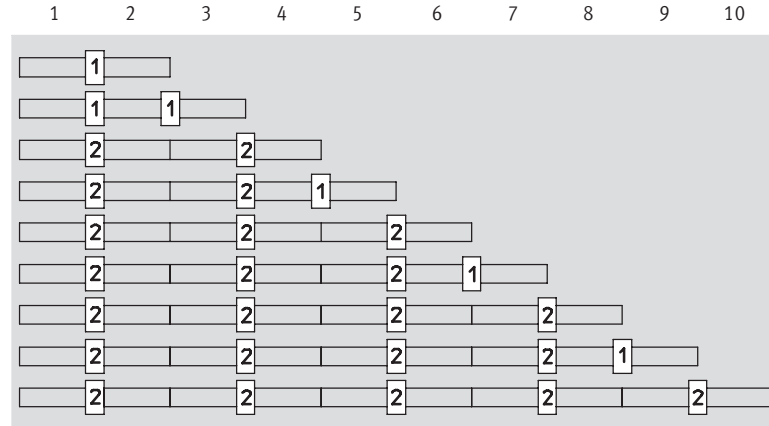
5 Mounting Bracket MS6-WP...

Suggested placement of wall mounting brackets when mounting air preparation combinations

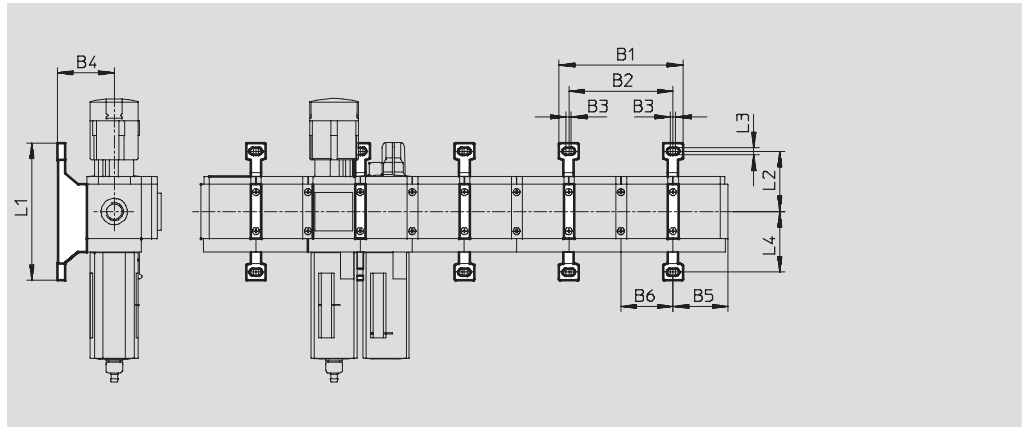
1 unit: 62 mm with WPB

2 units: 124 mm with WPB

Number of units



Mounting dimensions



Type	B1	B2	B3	B4	B5	B6	L1	L2	L3	L4
MS6-WPB	141	124	4.5	90.5	64.5	62	158	71	6.6	71

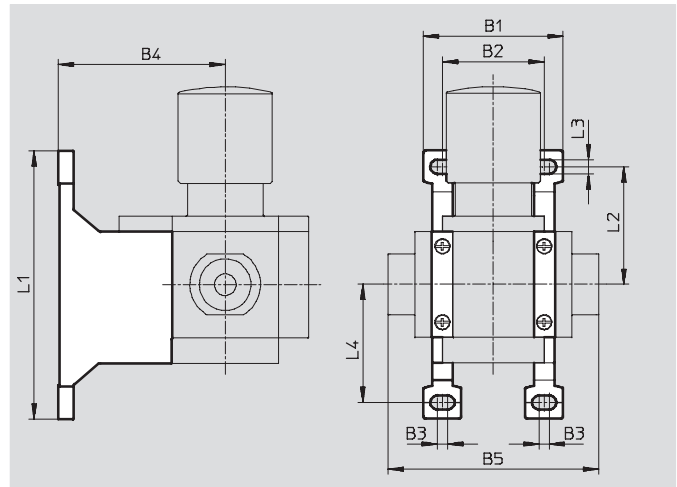
Electrical Pressure Regulators MS6-LRE – Metric Series

Accessories

Mounting bracket MS6-WPB

- To connect the modules for wall mounting
- In combination with a port plate MS-AG... for mounting an individual unit on a wall
- In combination with mounting plate MS-AEND or for mounting an individual unit with direct thread on a wall
- Provides large wall gap for pressure regulator

Material:
Die-cast aluminum



Dimensions and Ordering Data											
B1	B2	B3	B4	B5	L1	L2	L3	L4	Weight [g]	Part No.	Type
79	62	4.5	90.5	115	158	71	6.6	71	115	526074	MS6-WPB

Body connector MS6-MVM

- For installation of modules with regulating knob pointing downwards



Material:
Die-cast aluminum





Ordering Data		
Size	Part No.	Type
MS6	532801	MS6-MVM

Electrical Pressure Regulators MS6-LRE – Metric Series

Accessories

10 Ordering Data – Plug Socket with Cable SIM-M8			Technical data → www.festo.com/catalog/sim-m8	
	Electrical connection	Cable length [m]	Part No.	Type
				M8x1, 3-pin
		5	159421	SIM-M8-3GD-5-PU
		10	192964	SIM-M8-3GD-10-PU
	M8x1, 3-pin	2.5	159422	SIM-M8-3WD-2,5-PU
		5	159423	SIM-M8-3WD-5-PU
		10	192965	SIM-M8-3WD-10-PU

11 Ordering Data – Plug Socket with Cable SIM-M12			Technical data → www.festo.com/catalog/sim-m12	
	Electrical connection	Cable length [m]	Part No.	Type
				M12x1, 5-pin
		5	175716	SIM-M12-5GD-5-PU

8 Ordering Data – Pressure Gauge MA					Technical data → www.festo.com/catalog/ma	
	Nominal size	Pneumatic connection	Indicating range		Part No.	Type
			[bar]	[psi]		
	Pressure gauge MA, DIN EN 837-1					
	40	G $\frac{1}{4}$	0 ... 16	0 ... 232	183901	MA-40-16-G $\frac{1}{4}$ -EN
	Pressure gauge MA, DIN EN 837-1, with red-green range					
	50	R $\frac{1}{4}$	0 ... 16	–	525729	MA-50-16-R $\frac{1}{4}$ -E-RG

Electrical Pressure Regulators MS6N-LRE – Inch Series



The electrical pressure regulator maintains incoming compressed air at the set output pressure. It also maintains a constant output pressure independent of pressure fluctuations and air consumption. The output pressure is set indirectly via an integrated electrical drive unit. The drive unit can be operated either with digital inputs via the M12 plug or using the optional control and display unit. The direction of rotation of the drive unit is thus pre-set, which makes adjustment of the output pressure in the rising or falling direction possible. In the event of a power failure, the last drive unit or output pressure setting is saved. Pneumatic pressure regulation continues to function.

- Pneumatic connection: 1/4 NPT, 3/8 NPT, 1/2 NPT, 3/4 NPT
- Supply pressure: 12 ... 294 psi
- Flow rate: 77.7 ... 264.8 scfm

Product Range Overview											
Type	Pneumatic connections		Pressure regulation range [psi]				Pressure indicator				Reverse flow
	Body thread	Port plate	4.4 ... 59	4.4 ... 103	7.4 ... 176	7.4 ... 235	Cover plate (without pressure gauge)	Integrated MS pressure gauge	Adapter for pressure gauge 1/8 NPT	Adapter for pressure gauge 1/4 NPT	
MS6N		AG...	D5	D6	D7	D8	VS	AG	A8	A4	Z
LRE	1/4 NPT, 3/8 NPT, 1/2 NPT	1/4 NPT, 3/8 NPT, 1/2 NPT, 3/4 NPT	■	■	■	■	■	■	-	■	■

Features

- Constant output pressure even in the event of a power failure thanks to the fail-safe function
- Four pressure regulation ranges
- Available with or without secondary venting
- Optional control unit with display
- Optional integrated pressure sensor with electrical output

Contents

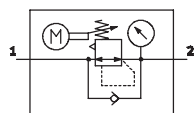
- Technical Data → 750
- Dimensional Drawings → 753
- Ordering Data → 755
- Accessories → 758

→ www.festo.com/catalog/ms6n-lre

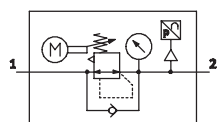
Electrical Pressure Regulators MS6N-LRE – Inch Series

Technical Data

ISO Symbol



With pressure gauge



With pressure gauge and integrated pressure sensor



Note

The electrical pressure regulator is not suitable for the set-up of closed control loops.

General Technical Data		1/4 NPT	3/8 NPT	1/2 NPT
Pneumatic connection 1, 2		1/4 NPT	3/8 NPT	1/2 NPT
Supply pressure	[psi]	12 ... 294		
Pressure regulation range	D5 [psi]	4.4 ... 59		
	D6 [psi]	4.4 ... 103		
	D7 [psi]	7.4 ... 176		
	D8 [psi]	7.4 ... 235		
Max. hysteresis	[psi]	3.7		

Standard Nominal Flow Rate $q_{nN}^{1)}$ [scfm]		1/4 NPT	3/8 NPT	1/2 NPT
Pressure regulation range	D5	84.7 ²⁾	194.2 ²⁾	264.8 ²⁾
	D6	105.9	204.7	229.5
	D7	95.3	158.9	194.2
	D8	77.7	141.2	158.9

1) Measured at $p_1 = 147$ psi and $p_2 = 88$ psi, $\Delta p = 15$ psi

2) Measured at $p_1 = 147$ psi and $p_2 = 44$ psi, $\Delta p = 15$ psi

Electrical Pressure Regulators MS6N-LRE – Inch Series

Technical Data

Electrical Data		Without integrated pressure sensor		With integrated pressure sensor	
				PI (I out)	PU (V out)
Analog output	[V]	–		–	
	[mA]	–		4 ... 20	
Analog outputs, absolute accuracy at 77 °F		[%]	–		±3
Cable interface	Inputs	Plug M12x1, 5-pin			
	Outputs	–		Plug M8x1, 3-pin	
Design of inputs		To IEC 61131-2, no electrical isolation			
Nominal operating voltage	[V DC]	24			
Permissible voltage fluctuations		[%]	±10		
Current consumption at 24 V DC		[A]	Max. 3.5		
Current consumption at nominal operating voltage		[A]	Max. 1		
Duration of actuation at 77°F		[s]	Max. 90 ¹⁾		
Protection against short circuit		For all electrical connections			
Protection class		IP65			

1) In order to prevent the drive from overheating, a control/pause ratio of 1:3 must be observed.

Operating and Environmental Conditions	
Operating medium	Compressed air, air quality class 5.4.– to DIN ISO 8573-1
Ambient temperature	[°F] 32 ... 122
Temperature of medium	[°F] 32 ... 122
Storage temperature	[°F] 32 ... 122
Assembly position	Any, preferably vertical
Corrosion resistance	CRC ¹⁾ 2

1) Corrosion resistance class 2 according to Festo standard 940 070
 Components requiring moderate corrosion resistance. Externally visible parts with primarily decorative surface requirements which are in direct contact with a normal industrial environment or media such as coolants or lubricating agents.

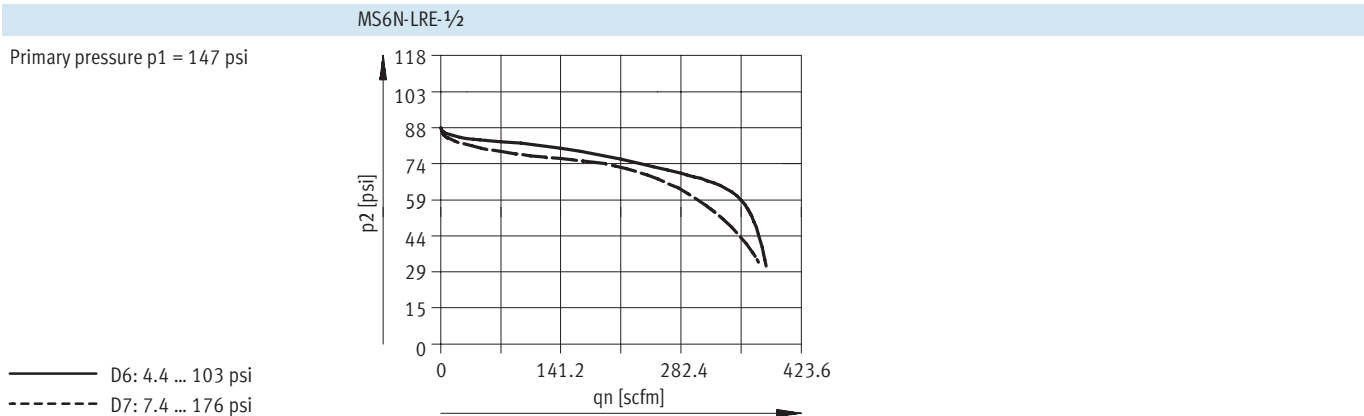
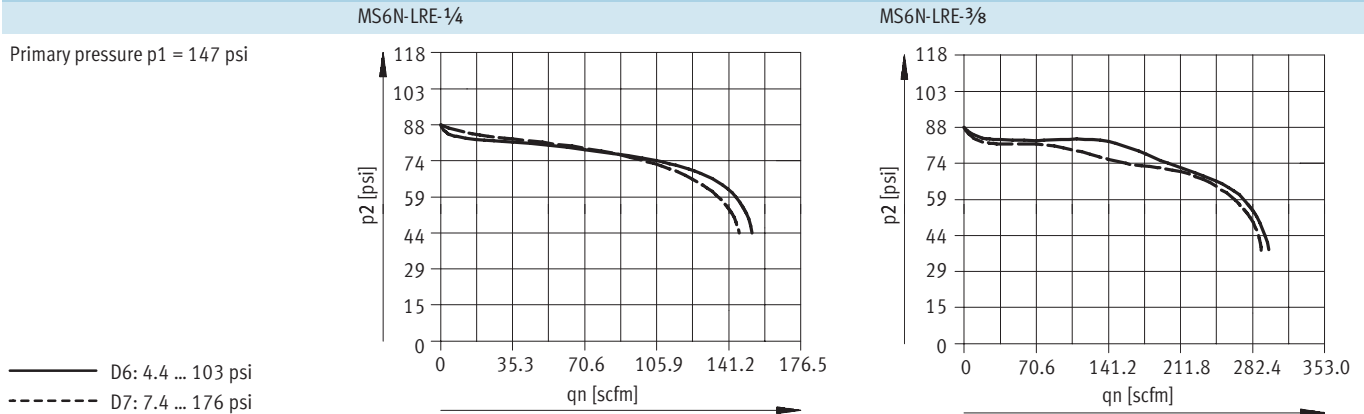
Weights [lb]	
Electrical pressure regulator	2.56

- For spare parts go to: www.festo.com/en/spare_parts_service

Electrical Pressure Regulators MS6N-LRE – Inch Series

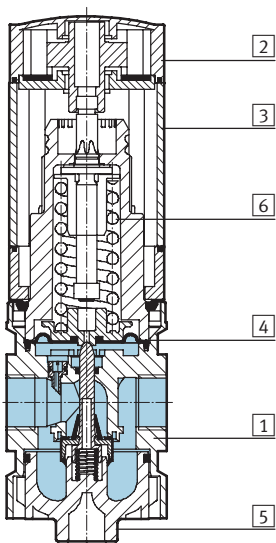
Technical Data

Standard Flow Rate q_n as a Function of Output Pressure p_2



Materials

Sectional view



Electrical pressure regulator		
1	Body	Die-cast aluminum
2	Drive housing	Reinforced polyamide
3	Profile housing	Wrought aluminum alloy
4	Diaphragm	Nitrile rubber
5	Bottom cap	Polyester, fiberglass reinforced
6	Springs	Steel
-	Display and control unit	Polyamide
-	Seals	Nitrile rubber

Electrical Pressure Regulators MS6N-LRE – Inch Series

Dimensional Drawings

Dimensions¹⁾ – Standard Download CAD Data → www.festo.com/us/cad

With pressure gauge, display unit [psi]

→ Flow direction

Type	D1
MS6N-LRE-1/4	1/4 NPT
MS6N-LRE-3/8	3/8 NPT
MS6N-LRE-1/2	1/2 NPT

1) Dimensions are in inches, unless otherwise noted.

Dimensions¹⁾ – Pressure Gauge Alternatives Download CAD Data → www.festo.com/us/cad

Cover plate VS Adapter plate A4 for EN pressure gauge 1/4, without pressure gauge

→ Flow direction

→ Flow direction

Type	D1
MS6N-LRE-1/4	1/4 NPT
MS6N-LRE-3/8	3/8 NPT
MS6N-LRE-1/2	1/2 NPT

1) Dimensions are in inches, unless otherwise noted.

Electrical Pressure Regulators MS6N-LRE – Inch Series



Dimensional Drawings

Dimensions¹⁾ – Pressure Gauge Alternatives Download CAD Data → www.festo.com/us/cad

Control unit with display OP

Type	D1
MS6N-LRE-1/4	1/4 NPT
MS6N-LRE-3/8	3/8 NPT
MS6N-LRE-1/2	1/2 NPT

1) Dimensions are in inches, unless otherwise noted.

Dimensions¹⁾ – Electrically Controlled Pressure Output Download CAD Data → www.festo.com/us/cad

Integrated pressure sensor with electrical output PI/PU

1) Dimensions are in inches, unless otherwise noted.

Electrical Pressure Regulators MS6N-LRE – Inch Series



Ordering Data – Pre-configured Products

Ordering Data						
Pressure gauge						
Connection	Pressure regulation range 4.4... 103 psi			Pressure regulation range 7.4... 176 psi		
	Part No.	Type	LT	Part No.	Type	LT
Standard						
1/4 NPT	536506	MS6N-LRE-1/4-D6	Q	536515	MS6N-LRE-1/4-D7	Q
3/8 NPT	536507	MS6N-LRE-3/8-D6	Q	536516	MS6N-LRE-3/8-D7	Q
1/2 NPT	536505	MS6N-LRE-1/2-D6	Q	536514	MS6N-LRE-1/2-D7	Q
Electrically controlled pressure output (integrated pressure sensor with voltage output), M8x1 plug, 3-pin						
1/4 NPT	536524	MS6N-LRE-1/4-D6-PI	Q	536533	MS6N-LRE-1/4-D7-PI	Q
3/8 NPT	536525	MS6N-LRE-3/8-D6-PI	Q	536534	MS6N-LRE-3/8-D7-PI	Q
1/2 NPT	536523	MS6N-LRE-1/2-D6-PI	Q	536532	MS6N-LRE-1/2-D7-PI	Q
Electrically controlled pressure output (integrated pressure sensor with voltage output), M8x1 plug, 3-pin						
1/4 NPT	536542	MS6N-LRE-1/4-D6-PU	Q	536551	MS6N-LRE-1/4-D7-PU	Q
3/8 NPT	536543	MS6N-LRE-3/8-D6-PU	Q	536552	MS6N-LRE-3/8-D7-PU	Q
1/2 NPT	536541	MS6N-LRE-1/2-D6-PU	Q	536550	MS6N-LRE-1/2-D7-PU	Q

LT = Lead time

1D typically ships same day/next day

1W typically ships within 1 week

Q request a quote for lead time

Electrical Pressure Regulators MS6N-LRE – Inch Series



Ordering Data – Configurable Products

Mandatory Data →

Part No.	Series	Size	Thread	Function	Connection size	Pressure regulation range
535192	MS	6	N	LRE	1/4, 3/8, 1/2, AQN, AQP, AQR, AQS	D5 D6 D7 D8
Order example						
535192	MS	6	N	- LRE	- AQP	- D6

Ordering Table

Grid dimension	[mm]	62	Conditions	Code	Enter code
M	Part No.	535192			
	Series	Standard		MS	MS
	Size	6		6	6
	Thread	NPT thread		N	N
	Function	Electrical pressure regulator		-LRE	-LRE
	Connection size	Body thread 1/4 NPT		-1/4	
		Body thread 3/8 NPT		-3/8	
		Body thread 1/2 NPT		-1/2	
		Port plate 1/4 NPT (dimensions → 761)		-AQN	
		Port plate 3/8 NPT (dimensions → 761)		-AQP	
		Port plate 1/2 NPT (dimensions → 761)		-AQR	
	Pressure regulation range	4.4 ... 59 psi		-D5	
		4.4 ... 103 psi		-D6	
		7.4 ... 176 psi		-D7	
		7.4 ... 235 psi		-D8	

Transfer order code

535192	MS	6	N	- LRE	-		-	
--------	----	---	---	-------	---	--	---	--

Electrical Pressure Regulators MS6N-LRE – Inch Series



Ordering Data – Configurable Products

Options

Pressure gauge alternatives	Alternative pressure gauge scale	Secondary venting	Electrically controlled pressure output	Sensor cables	Supply cables	Type of mounting	Reverse flow direction
VS A4 OP	BAR MPA	OS	PI PU	SK2 SK5	VK2 VK5	WBE WPB	Z
- OP	-	- OS	- PU	- SK5	-	-	- Z

Ordering Table

Grid dimension	[mm]	62	Conditions	Code	Enter code
0 Pressure gauge alternatives	Cover plate			-VS	
	Adapter plate for EN pressure gauge 1/4, without pressure gauge			-A4	
	Control unit with display		1	-OP	
Alternative pressure gauge scale	bar		2	-BAR	
	MPa		2	-MPA	
Secondary venting	Without secondary venting			-OS	
Electrically controlled pressure output	Plug, M8, 3-pin, I out			-PI	
	Plug, M8, 3-pin, V out			-PU	
Sensor cables	Plug socket, M8, with cable, 8.2 ft		1	-SK2	
	Plug socket, M8, with cable, 16.4 ft		1	-SK5	
Supply cable	Plug socket, M12, with cable, 8.2 ft			-VK2	
	Plug socket, M12, with cable, 16.4 ft			-VK5	
Type of mounting	Mounting plate for direct thread MS6-AEND (dimensions → 760)		3	-WBE	
	Mounting bracket for large wall gap (dimensions → 762)		4	-WPB	
Reverse flow direction	Flow direction from right to left			-Z	

- 1 **OP, SK2, SK5** Only with electrical pressure output PI, PU
 2 **BAR, MPA** Not with pressure gauge alternatives VS, A4, OP

- 3 **WBE** Only with connection thread size 1/4, 3/8, 1/2
 4 **WPB** Only with port plate size AQN, AQP, AQR, AQS

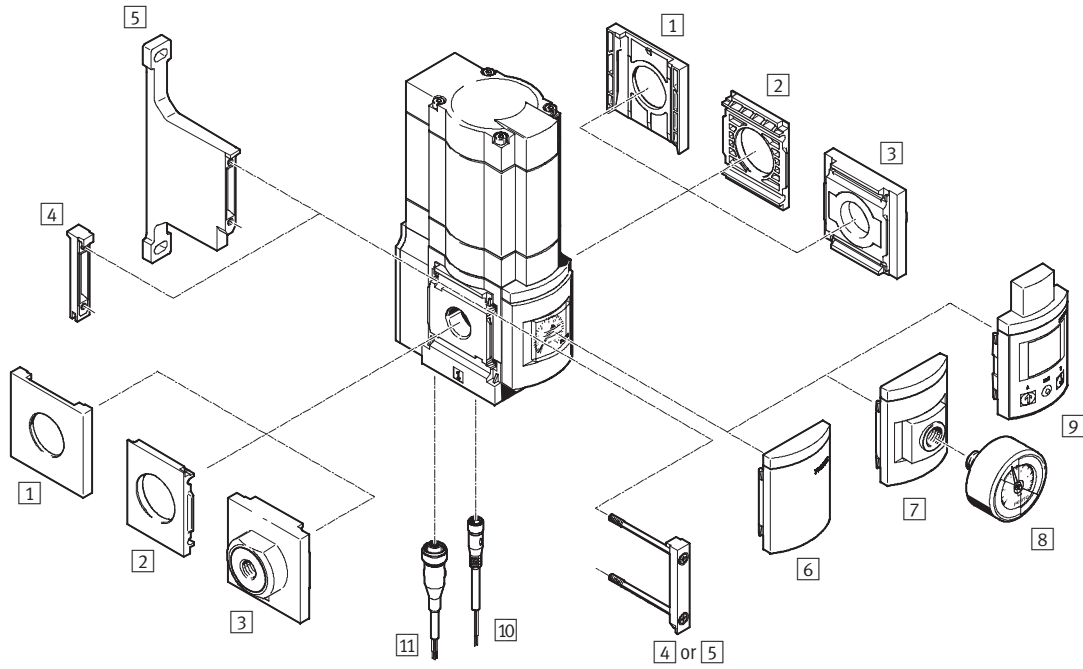
Transfer order code

- [] - [] - [] - [] - [] - [] - [] - []

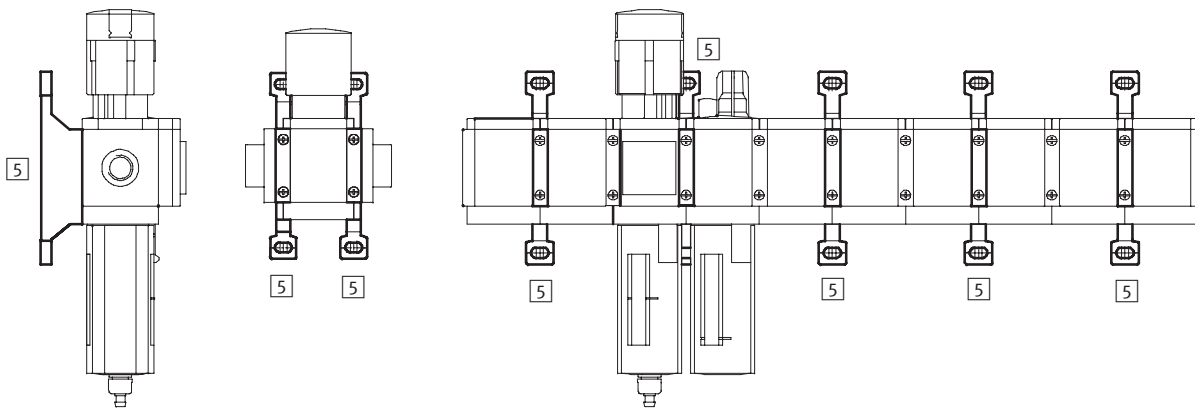
Electrical Pressure Regulators MS6N-LRE – Inch Series

Accessories Overview

Mounting Attachments and Accessories



Single unit and combination unit mounting brackets.



Electrical Pressure Regulators MS6N-LRE – Inch Series

Accessories Overview

Mounting Attachments and Accessories						
		Single unit		Combination unit → 3.1-49		→ Page
		Without port plate	With port plate	Without port plate	With port plate	
1	Cover cap MS6-END	-	-	■	-	760
2	Mounting plate MS6-AEND	■ ¹⁾	-	■ ²⁾	-	760
3	Port plate MS6N-AQ...	-	■ ¹⁾	-	■ ²⁾	761
4	Body connector MS6-MV	-	-	■	■	761
5	Mounting bracket MS6-WPB	■	■	■	■	762
6	Cover plate VS	■	■	■	■	757
7	Adapter plate for EN pressure gauge 1/4 A4	■	■	■	■	757
8	Pressure gauge MA	■	■	■	■	764
9	Control unit with display OP	■	■	■	■	757
10	Plug socket with cable SIM-M8-3...	■	■	■	■	764
11	Plug socket with cable SIM-M12-5...	■	■	■	■	764

1) Mounting bracket MS6-WPB is required for mounting.

2) Module connector MS6-MV or mounting bracket MS6-WPB is required for mounting.

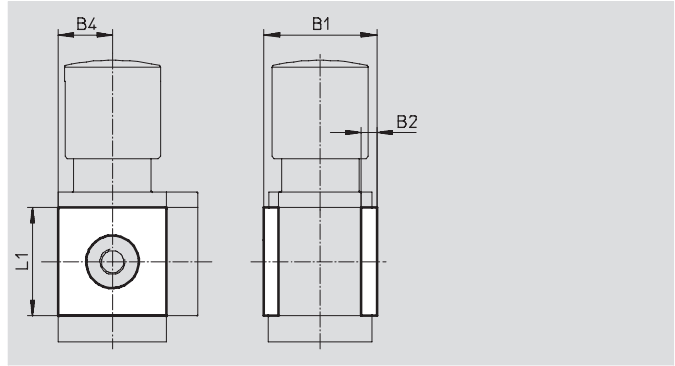
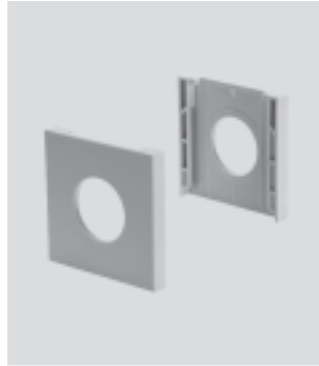
Electrical Pressure Regulators MS6N-LRE – Inch Series

Accessories

1 Cover cap MS6-END

- Can be used to cover the body sides of the first and last module if port plates are not used.

Material:
Reinforced polyamide
Free of copper and PTFE



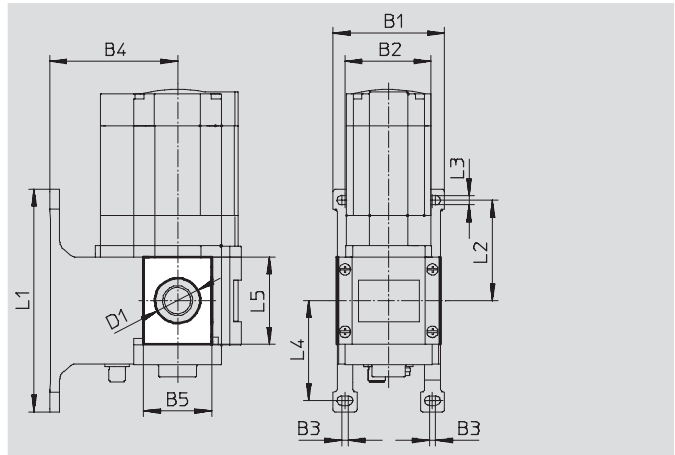
Dimensions and Ordering Data						
B1	B2	B4	L1	Part No.	Type	
2.64	0.31	1.22	2.44	538780	MS6-END	

2 Mounting plate MS6-AEND

(order code: WBE; scope of delivery includes mounting bracket MS6-WPB)

- In combination with mounting bracket MS-WPB for mounting an individual unit on a wall with body thread

Material:
Reinforced polyamide
Conforms to RoHS
Free of copper and PTFE



Dimensions and Ordering Data															
B1	B2	B3	B4		B5	D1 ∅	L1	L2	L3	L4	L5	CRC ¹⁾	Weight [lb]	Part No.	Type
			WP	WPB											
3.11	2.44	0.18	2.13	3.56	1.91	1.26	6.22	2.80	0.26	2.80	2.44	2	0.03	535408	MS6-AEND

1) Corrosion resistance class 2 according to Festo standard 940 070
Components requiring moderate corrosion resistance. Externally visible parts with primarily decorative surface requirements which are in direct contact with a normal industrial environment or media such as coolants or lubricating agents.

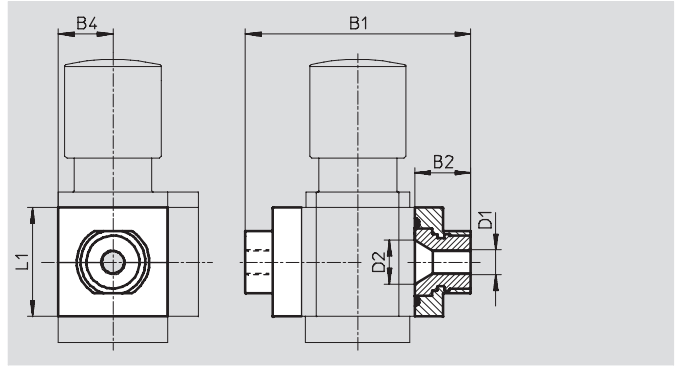
Electrical Pressure Regulators MS6N-LRE – Inch Series

Accessories

3 Port plate MS6N-AQ...

- Adapter for pneumatic connection
- MS6-AGE for implementing threaded connection 3/4 NPT

Material:
Aluminum



Dimensions and Ordering Data								
B1	B2	B4	D1	D2	L1	Weight [lb]	Part No.	Type
4.53	1.04	1.22	1/4 NPT	0.94	2.44	0.60	526076	MS6N-AQN
			3/8 NPT				526077	MS6N-AQP
			1/2 NPT				526078	MS6N-AQR
			3/4 NPT				526079	MS6N-AQS

4 Body connector MS...-MV

- For connecting modules

Material:
Stainless steel/polyacetate



Ordering Data		
Weight [lb]	Part No.	Type
0.11	532799	MS6-MV

Electrical Pressure Regulators MS6N-LRE – Inch Series



Accessories

5 Mounting Bracket MS6-WP...

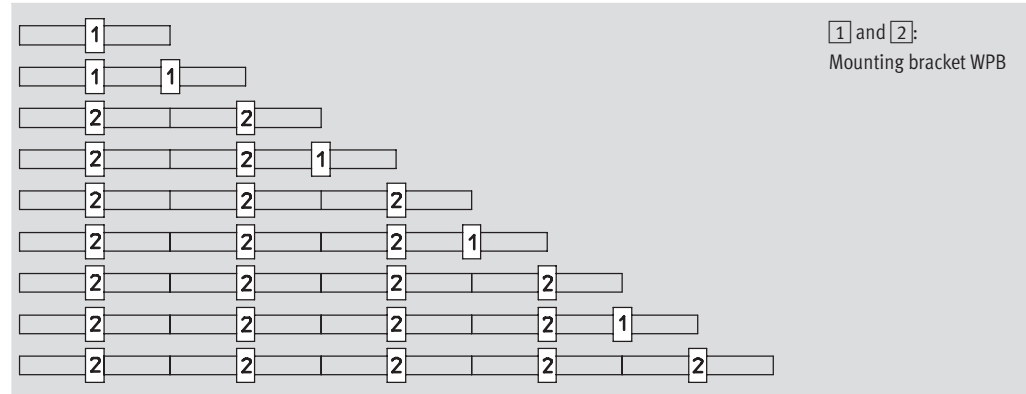
Suggested placement of wall mounting brackets when mounting air preparation combinations

1 unit: 2.44 in with WPB

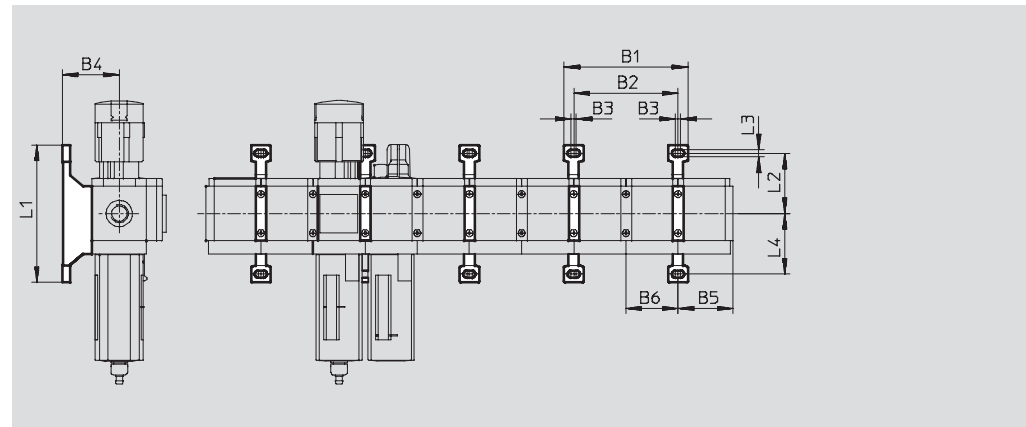
2 units: 4.88 in with WPB

Number of units

1 2 3 4 5 6 7 8 9 10



Mounting dimensions



Type	B1	B2	B3	B4	B5	B6	L1	L2	L3	L4
MS6-WPB	5.55	4.88	0.18	3.56	2.54	2.44	6.22	2.80	0.26	2.80

Electrical Pressure Regulators MS6N-LRE – Inch Series

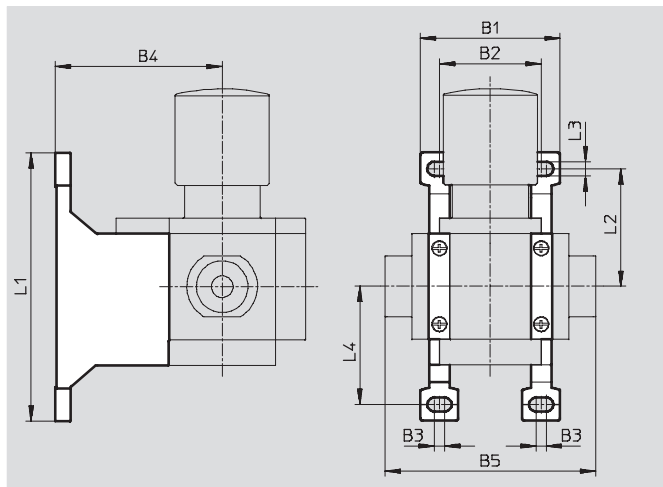


Accessories

Mounting bracket MS6-WPB

- To connect the modules for wall mounting
- In combination with a port plate MS-AG... for mounting an individual unit on a wall
- In combination with mounting plate MS-AEND or for mounting an individual unit with direct thread on a wall
- Provides large wall gap for pressure regulator

Material:
Die-cast aluminum



Dimensions and Ordering Data											
B1	B2	B3	B4	B5	L1	L2	L3	L4	Weight [lb]	Part No.	Type
3.11	2.44	0.18	3.56	4.53	6.22	2.80	0.26	2.80	0.23	526074	MS6-WPB

Body connector MS6-MVM

- For installation of modules with regulating knob pointing downwards

Material:
Die-cast aluminum






Ordering Data		
Size	Part No.	Type
MS6	532801	MS6-MVM


Electrical Pressure Regulators MS6N-LRE – Inch Series



Accessories

10 Ordering Data – Plug Socket with Cable SIM-M8			Technical data → www.festo.com/catalog/sim-m8	
	Electrical connection	Cable length [ft]	Part No.	Type
				M8x1, 3-pin
		16.4	159421	SIM-M8-3GD-5-PU
		32.8	192964	SIM-M8-3GD-10-PU
	M8x1, 3-pin	8.2	159422	SIM-M8-3WD-2,5-PU
		16.4	159423	SIM-M8-3WD-5-PU
		32.8	192965	SIM-M8-3WD-10-PU

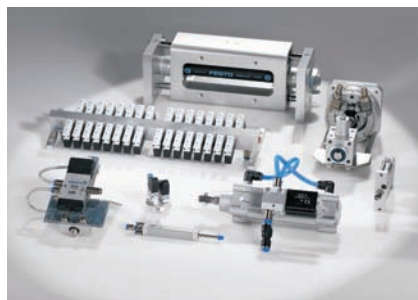
11 Ordering Data – Plug Socket with Cable SIM-M12			Technical data → www.festo.com/catalog/sim-m12	
	Electrical connection	Cable length [ft]	Part No.	Type
				M12x1, 5-pin
		16.4	175716	SIM-M12-5GD-5-PU

8 Ordering Data – Pressure Gauge MA				Technical data → www.festo.com/catalog/ma		
	Nominal size	Pneumatic connection	Indicating range		Part No.	Type
			[bar]	[psi]		
	Pressure gauge MA, DIN EN 837-1					
	1.57	1/4 NPT	0 ... 16	0 ... 232	183908	MA-40-16-N1/4-EN
	Pressure gauge MA, DIN EN 837-1, with red-green range					
	1.97	1/4 NPT	–	0 ... 232	530391	MA-50-232-N1/4-PSI-E-RG

Product Range and Company Overview

A Complete Suite of Automation Services

Our experienced engineers provide complete support at every stage of your development process, including: conceptualization, analysis, engineering, design, assembly, documentation, validation, and production.



Custom Automation Components
Complete custom engineered solutions



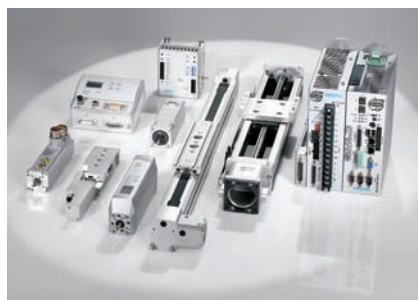
Custom Control Cabinets
Comprehensive engineering support
and on-site services



Complete Systems
Shipment, stocking and storage services

The Broadest Range of Automation Components

With a comprehensive line of more than 30,000 automation components, Festo is capable of solving the most complex automation requirements.



Electromechanical
Electromechanical actuators, motors,
controllers & drives



Pneumatics
Pneumatic linear and rotary actuators,
valves, and air supply



PLCs and I/O Devices
PLC's, operator interfaces, sensors
and I/O devices

Supporting Advanced Automation... As No One Else Can!

Festo is a leading global manufacturer of pneumatic and electromechanical systems, components and controls for industrial automation, with more than 11,500 employees in 56 national headquarters serving more than 180 countries. For more than 80 years, Festo has continuously elevated the state of manufacturing with innovations and optimized motion control solutions that deliver higher performing, more profitable automated manufacturing and processing equipment. Our dedication to the advancement of automation extends beyond technology to the education and development of current and future automation and robotics designers with simulation tools, teaching programs, and on-site services.

Quality Assurance, ISO 9001 Certification

Festo Corporation is committed to provide Festo products and services that will meet or exceed our customers' requirements in product quality, delivery, customer service and satisfaction.

All Festo locations within the United States are registered to ISO 9001.



Festo North America

United States

Customer Resource Center

502 Earth City Expy., Suite 125
Earth City, MO 63045

For ordering assistance, or to find
your nearest Festo Distributor,

Call: 1.800.99.FESTO

Fax: 1.800.96.FESTO

Email: customer.service@us.festo.com

For technical support,

Call: 1.866.GO.FESTO

Fax: 1.800.96.FESTO

Email: product.support@us.festo.com

Headquarters

Festo Corporation
395 Moreland Road
P.O. Box 18023
Hauppauge, NY 11788
www.festo.com/us

Sales Offices

Appleton

N. 922 Tower View Drive, Suite N
Greenville, WI 54942

Boston

120 Presidential Way, Suite 330
Woburn, MA 01801

Chicago

1441 East Business Center Drive
Mt. Prospect, IL 60056

Dallas

1825 Lakeway Drive, Suite 600
Lewisville, TX 75057

Detroit - Automotive Engineering Center

2601 Cambridge Court, Suite 320
Auburn Hills, MI 48326

New York

395 Moreland Road
Hauppauge, NY 11788

Silicon Valley

2800 Collier Canyon Road
Livermore, CA 94550

Design and Manufacturing Operations



East: 395 Moreland Road, Hauppauge, NY 11788



Central: 1441 East Business Center Drive, Mt. Prospect, IL 60056



West: 2800 Collier Canyon Road, Livermore, CA 94550

Mexico

Headquarters

Festo Pneumatic, S.A.
Av. Ceylán 3, Col. Tequesquahuac
54020 Tlalnepantla, Edo. de México
Call: 011 52 [55] 53 21 66 00
Fax: 011 52 [55] 53 21 66 65
Email: festo.mexico@mx.festo.com
www.festo.com/mx



Canada

Headquarters

Festo Inc.
5300 Explorer Drive
Mississauga, Ontario L4W 5G4
Call: 1.905.624.9000
Fax: 1.905.624.9001
Email: info.ca@ca.festo.com
www.festo.com/ca



Festo Worldwide

Argentina Australia Austria Belarus Belgium Brazil Bulgaria Canada Chile China Colombia Croatia Czech Republic Denmark
Estonia Finland France Germany Great Britain Greece Hong Kong Hungary India Indonesia Iran Ireland Israel Italy Japan
Latvia Lithuania Malaysia Mexico Netherlands New Zealand Norway Peru Philippines Poland Romania Russia Serbia Singapore
Slovakia Slovenia South Africa South Korea Spain Sweden Switzerland Taiwan Thailand Turkey Ukraine United States Venezuela

www.festo.com