

# Filter Regulators MS4-LFR – Metric Series



A filter regulator combines a filter and a pressure regulator into a single unit. The sintered filter with water separator removes contamination, pipe sinter, rust and condensate from the compressed air. The pressure setting can be adjusted with the regulator.

- Pneumatic connection: G $\frac{1}{8}$ , G $\frac{1}{4}$ , G $\frac{3}{8}$
- Filtration grade: 5  $\mu$ m, 40  $\mu$ m
- Supply pressure
  - for manual drain: 0.8 ... 14 bar
  - for semiautomatic drain: 1.5 ... 12 bar
  - for fully automatic drain: 2 ... 12 bar
- Controlled pressure range: 0.3 ... 12 bar
- Flow rate: 850 ... 1,900 l/min

Product Range Overview																				
Type	Pneumatic connections		Pressure regulation range [bar]			Filtration grade [ $\mu$ m]		Bowl guard		Bowl drain			Pressure indicator				Pressure adjustment		Reverse flow	
	Body thread	Port plate	0.3 ... 4	0.3 ... 7	0.5 ... 12	5	40	Plastic bowl guard	Metal bowl	Manual	Semiautomatic	Fully automatic	Cover plate (without pressure gauge)	Integrated MS pressure gauge	Adapter for pressure gauge G $\frac{1}{8}$	Adapter for pressure gauge G $\frac{1}{4}$	Pressure sensor with display	Rotary knob, lockable	Rotary knob, long	Flow direction from right to left
MS4		AG...	D5	D6	D7	C	E	R	U	M	H	V	VS	AG	A8	A4	AD...	AS	LD	Z
LFR	G $\frac{1}{8}$ , G $\frac{1}{4}$	G $\frac{1}{8}$ , G $\frac{1}{4}$ , G $\frac{3}{8}$	■	■	■	■	■	■	■	■	■	■	■	■	■	■	■	■	■	■

### Features

- Good control characteristics with low hysteresis and primary pressure compensation
- High flow rates
- Directly actuated diaphragm regulator
- Three pressure regulation ranges
- Modular, in-line or panel mounting
- Lockable rotary knob
- Available with or without secondary venting
- Two pressure gauge connections for different fitting options
- Reverse flow option for exhausting from output 2 to output 1
- Optional pressure sensor with display and electric output

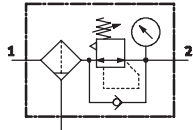
### Contents

- Technical Data → 98
- Dimensional Drawings → 102
- Ordering Data → 105
- Accessories → 108
- Replacement Parts → 118
- [www.festo.com/catalog/ms4-lfr](http://www.festo.com/catalog/ms4-lfr)

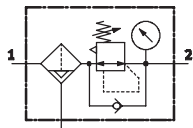
# Filter Regulators MS4-LFR – Metric Series

Technical Data

ISO Symbol



Manual bowl drain



Semi or fully automatic bowl drain



General Technical Data		
Pneumatic connection 1, 2		G1/8
		G1/4
Filtration grade	[μm]	5 (air purity class at the output 3.7.- to DIN ISO 8573-1) 40 (air purity class at the output 5.7.- to DIN ISO 8573-1)
Supply pressure	M [bar]	0.8 ... 14 (manual drain)
	H [bar]	1.5 ... 12 (semiautomatic drain)
	V [bar]	2 ... 12 (fully automatic drain)
Pressure regulation range	D5 [bar]	0.3 ... 4
	D6 [bar]	0.3 ... 7
	D7 [bar]	0.5 ... 12 (0.5 ... 10 with variant pressure sensor AD...)
Max hysteresis	[bar]	0.25

Note: This product conforms with the ISO 1179-1 standard and the ISO 228-1 standard.

Standard Nominal Flow Rate qnN <sup>1)</sup> [l/min]			
Pneumatic connection 1, 2		G1/8	G1/4
D5 – Pressure regulation range 0.3 ... 4 bar			
Filtration grade	5 μm	900 <sup>2)</sup>	1,800 <sup>2)</sup>
	40 μm	1,100 <sup>2)</sup>	1,900 <sup>2)</sup>
D6 – Pressure regulation range 0.3 ... 7 bar			
Filtration grade	5 μm	900	1,500
	40 μm	1,000	1,700
D7 – Pressure regulation range 0.5 ... 12 bar			
Filtration grade	5 μm	850	1,200
	40 μm	900	1,500

1) Measured at p<sub>1</sub> = 10 bar and p<sub>2</sub> = 6 bar, Δp = 1 bar  
 2) Measured at p<sub>1</sub> = 10 bar and p<sub>2</sub> = 3 bar, Δp = 1 bar

# Filter Regulators MS4-LFR – Metric Series

Technical Data



Operating and Environmental Conditions			
Bowl drain	Manual M	Semiautomatic H	Fully automatic V
Operating medium without pressure sensor AD...	Compressed air		
Operating medium with pressure sensor AD...	Filtered compressed air, lubricated or unlubricated, filtration grade 40 µm		
Max. condensate volume [cm <sup>3</sup> ]	19 (with plastic bowl guard) 25 (with metal bowl)		
Bowl guard	Plastic bowl guard		
	Metal bowl		
Ambient temperature without pressure sensor AD... [°C]	-10 ... +60	+5 ... +60	+5 ... +60
Ambient temperature with pressure sensor AD... [°C]	0 ... +50	+5 ... +50	+5 ... +50
Medium temperature without pressure sensor AD... [°C]	-10 ... +60	+5 ... +60	+5 ... +60
Medium temperature with pressure sensor AD... [°C]	0 ... +50	+5 ... +50	+5 ... +50
Storage temperature [°C]	-10 ... +60	-10 ... +60	-10 ... +60
Assembly position	Vertical ±5°		
Corrosion resistance CRC <sup>1)</sup>	2		

1) Corrosion resistance class 2 according to Festo standard 940 070  
Components requiring moderate corrosion resistance. Externally visible parts with primarily decorative surface requirements which are in direct contact with a normal industrial environment or media such as coolants or lubricating agents.

Weights [g]	
With plastic bowl guard	275
With metal bowl	475

- Wearing parts kits → 118
- Filter cartridges → 118
- For spare parts go to: [www.festo.com/en/spare\\_parts\\_service](http://www.festo.com/en/spare_parts_service)

# Filter Regulators MS4-LFR – Metric Series

Technical Data

## Standard Flow Rate $q_n$ as a Function of Output Pressure $p_2$

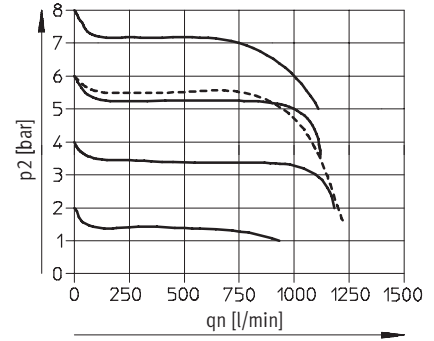
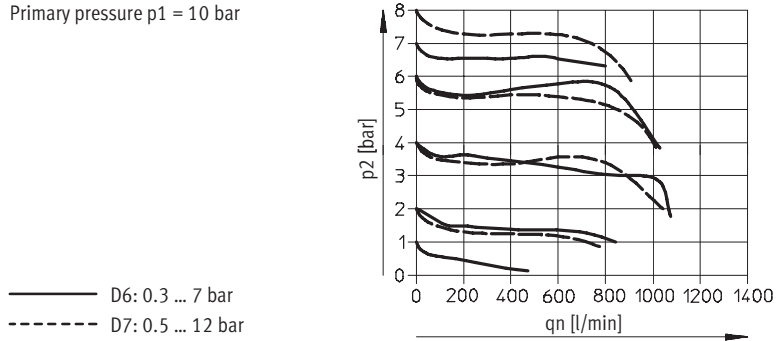
Pressure regulation range D6 or D7

Filtration grade 5  $\mu\text{m}$

Filtration grade 40  $\mu\text{m}$

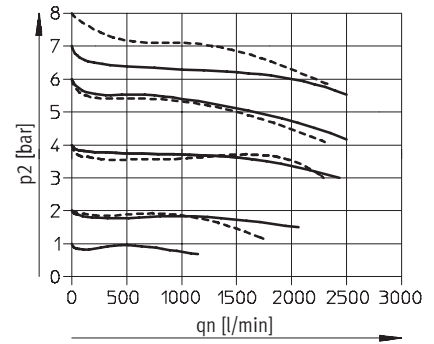
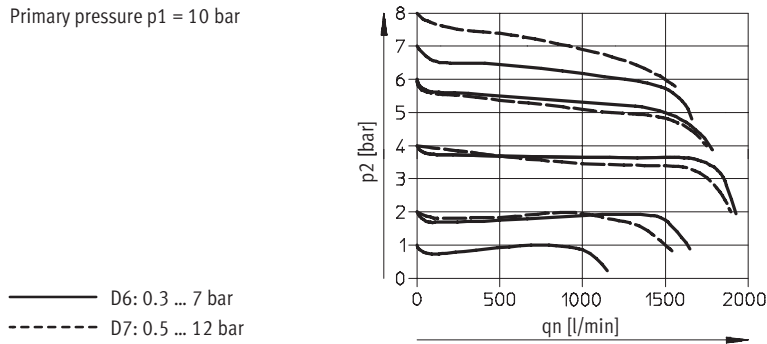
MS4-LFR-1/8

Primary pressure  $p_1 = 10$  bar



MS4-LFR-1/4

Primary pressure  $p_1 = 10$  bar



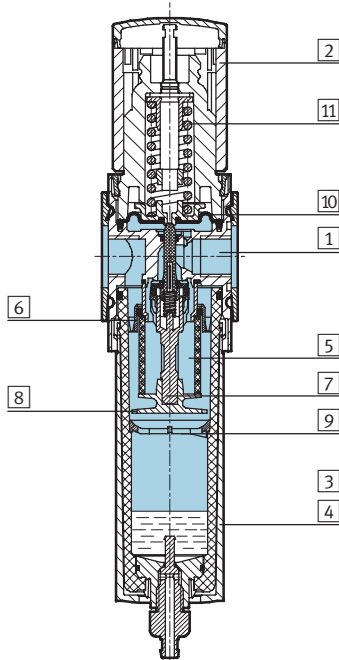
# Filter Regulators MS4-LFR – Metric Series

Technical Data



## Materials

Sectional view



Filter regulator		
1	Body	Die-cast aluminum
2	Regulating knob	Polyamide/polyacetate
3	Plastic bowl guard	Polycarbonate/polyamide
4	Metal bowl	Aluminum
	Viewing window	Polyamide
5	Filter element	Polyethylene
6	Spin disk	Polyacetate
7	Filter holder	Polyacetate
8	Separating plate	Polyacetate
9	Stabilizing disk	Polyacetate
10	Diaphragm	Nitrile rubber
11	Spring	Steel
-	Seals	Nitrile rubber
	Note on materials	Free of copper and PTFE only with cover plate VS

# Filter Regulators MS4-LFR – Metric Series

Dimensional Drawings



**Dimensions<sup>1)</sup> – Standard** Download CAD Data → [www.festo.com/us/cad](http://www.festo.com/us/cad)

With pressure gauge, display unit [bar], rotary knob as standard, manual bowl drain

1 Installation dimensions  
→ Flow direction

Type	B1	B2	B3	D1	D2	L1		L2	L3	L4	L5	L6		L7
						Bowl guard						Plastic	Metal	
						Plastic	Metal							
MS4-LFR-1/8	40	21	57	G1/8	37.2	140.6	158.2	27	51.1	58.5	25	17.7	17.7	2
MS4-LFR-1/4				G1/4										

1) Dimensions are in millimeters, unless otherwise noted.

Note: This product conforms with the ISO 1179-1 standard and the ISO 228-1 standard.

# Filter Regulators MS4-LFR – Metric Series

Dimensional Drawings

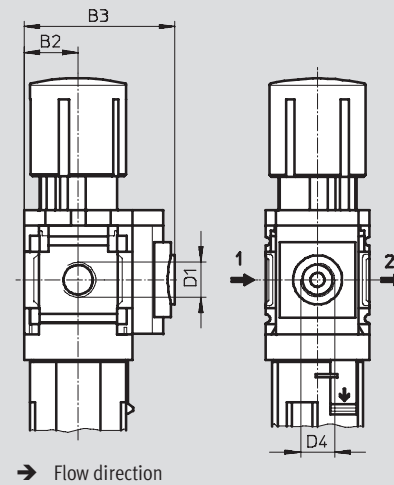
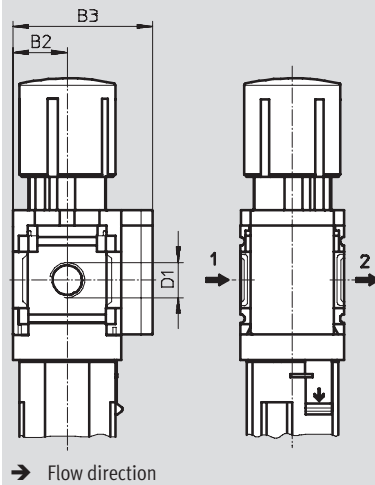


## Dimensions<sup>1)</sup> – Pressure Gauge Alternatives

Download CAD Data → [www.festo.com/us/cad](http://www.festo.com/us/cad)

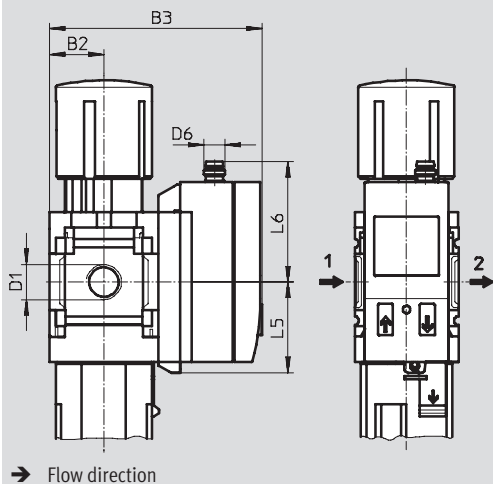
Cover plate VS

Adapter plate A8/A4 for EN pressure gauge 1/8/1/4, without pressure gauge



## Pressure sensor with display AD1 ... AD4

Technical data SDE1 → [www.festo.com/catalog/sde1](http://www.festo.com/catalog/sde1)



AD1 variants:  
SDE1-D10-G2-MS-L-P1-M8 with 3-pin plug M8x1, 1 switching output PNP

AD3 variants:  
SDE1-D10-G2-MS-L-PI-M12 with 4-pin plug M12x1, 1 switching output PNP and 4 ... 20 mA analog

AD2 variants:  
SDE1-D10-G2-MS-L-N1-M8 with 3-pin plug M8x1, 1 switching output NPN

AD4 variants:  
SDE1-D10-G2-MS-L-NI-M12 with 4-pin plug M12x1, 1 switching output NPN and 4 ... 20 mA analog

Type	B2	B3	D1	D4	D6	L5	L6
MS4-LFR-1/8-...-VS	21	54	G1/8	-	-	-	-
MS4-LFR-1/4-...-VS			G1/4				
MS4-LFR-1/8-...-A8	21	58.5	G1/8	G1/8	-	-	-
MS4-LFR-1/4-...-A8			G1/4				
MS4-LFR-1/8-...-A4	21	58.5	G1/8	G1/4	-	-	-
MS4-LFR-1/4-...-A4			G1/4				
MS4-LFR-1/8-...-AD1/AD2	21	82.6	G1/8	-	M8x1	35.1	46.7
MS4-LFR-1/4-...-AD1/AD2			G1/4				
MS4-LFR-1/8-...-AD3/AD4	21	82.6	G1/8	-	M12x1	35.1	55.8
MS4-LFR-1/4-...-AD3/AD4			G1/4				

1) Dimensions are in millimeters, unless otherwise noted.

Note: This product conforms with the ISO 1179-1 standard and the ISO 228-1 standard.

# Filter Regulators MS4-LFR – Metric Series

Dimensional Drawings



**Dimensions<sup>1)</sup> – Rotary Knob** Download CAD Data → [www.festo.com/us/cad](http://www.festo.com/us/cad)

For installation into control panel

**Standard**

**Standard, lockable AS**

**Long LD**

**Long, lockable LD-AS**

1) Max. control panel thickness

Type	B4	B5	D2	D3 +1	L3	L8	L9
MS4-LFR-...	-	-	37.2	30	51.1	13	6
MS4-LFR-...-AS	48.3	29.7			60.2		
MS4-LFR-...-LD	-	-	37.2	-	51.1	-	-
MS4-LFR-...-LD-AS	48.3	29.7			60.2		

1) Dimensions are in millimeters, unless otherwise noted.

**Dimensions<sup>1)</sup> – Bowl Drain** Download CAD Data → [www.festo.com/us/cad](http://www.festo.com/us/cad)

**Manual M**

Barbed fitting for plastic tubing  
PCN-4

**Semiautomatic H**

QS fitting for plastic tubing  
PUN-6/PAN-6

**Fully automatic V**

Barbed fitting for plastic tubing  
PCN-4

Type	L6
Plastic bowl guard	
MS4-LFR-...-M	17.7
Metal bowl	
MS4-LFR-...-M	17.7

Type	L6
Plastic bowl guard	
MS4-LFR-...-H	22.1
Metal bowl	
MS4-LFR-...-H	22.1

Type	L6
Plastic bowl guard	
MS4-LFR-...-V	20.4
Metal bowl	
MS4-LFR-...-V	20.4

1) Dimensions are in millimeters, unless otherwise noted.



## Filter Regulators MS4-LFR – Metric Series

Ordering Data – Pre-configured Products

**FESTO**

Ordering Data							
Pressure regulation range 0.3 ... 7 bar							
Bowl drain	Connection	Filtration grade 5 µm			Filtration grade 40 µm		
		Part No.	Type	LT	Part No.	Type	LT
Plastic bowl guard							
Manual	G <sup>1</sup> / <sub>8</sub>	529160	MS4-LFR- <sup>1</sup> / <sub>8</sub> -D6-CRM-AS	1D	529164	MS4-LFR- <sup>1</sup> / <sub>8</sub> -D6-ERM-AS	1D
	G <sup>1</sup> / <sub>4</sub>	529144	MS4-LFR- <sup>1</sup> / <sub>4</sub> -D6-CRM-AS	1D	529148	MS4-LFR- <sup>1</sup> / <sub>4</sub> -D6-ERM-AS	1D
Fully automatic	G <sup>1</sup> / <sub>8</sub>	529162	MS4-LFR- <sup>1</sup> / <sub>8</sub> -D6-CRV-AS	1D	529166	MS4-LFR- <sup>1</sup> / <sub>8</sub> -D6-ERV-AS	1D
	G <sup>1</sup> / <sub>4</sub>	529146	MS4-LFR- <sup>1</sup> / <sub>4</sub> -D6-CRV-AS	1D	529150	MS4-LFR- <sup>1</sup> / <sub>4</sub> -D6-ERV-AS	1D

Ordering Data							
Pressure regulation range 0.5 ... 12 bar							
Bowl drain	Connection	Filtration grade 5 µm			Filtration grade 40 µm		
		Part No.	Type	LT	Part No.	Type	LT
Plastic bowl guard							
Manual	G <sup>1</sup> / <sub>8</sub>	529168	MS4-LFR- <sup>1</sup> / <sub>8</sub> -D7-CRM-AS	1D	529172	MS4-LFR- <sup>1</sup> / <sub>8</sub> -D7-ERM-AS	1D
	G <sup>1</sup> / <sub>4</sub>	529152	MS4-LFR- <sup>1</sup> / <sub>4</sub> -D7-CRM-AS	1D	529156	MS4-LFR- <sup>1</sup> / <sub>4</sub> -D7-ERM-AS	1D
Fully automatic	G <sup>1</sup> / <sub>8</sub>	529170	MS4-LFR- <sup>1</sup> / <sub>8</sub> -D7-CRV-AS	1D	529174	MS4-LFR- <sup>1</sup> / <sub>8</sub> -D7-ERV-AS	1D
	G <sup>1</sup> / <sub>4</sub>	529154	MS4-LFR- <sup>1</sup> / <sub>4</sub> -D7-CRV-AS	1D	529158	MS4-LFR- <sup>1</sup> / <sub>4</sub> -D7-ERV-AS	1D
Metal bowl							
Manual	G <sup>1</sup> / <sub>8</sub>	535702	MS4-LFR- <sup>1</sup> / <sub>8</sub> -D7-CUM-AS	Q	535708	MS4-LFR- <sup>1</sup> / <sub>8</sub> -D7-EUM-AS	Q
	G <sup>1</sup> / <sub>4</sub>	535718	MS4-LFR- <sup>1</sup> / <sub>4</sub> -D7-CUM-AS	Q	535724	MS4-LFR- <sup>1</sup> / <sub>4</sub> -D7-EUM-AS	Q
Fully automatic	G <sup>1</sup> / <sub>8</sub>	535704	MS4-LFR- <sup>1</sup> / <sub>8</sub> -D7-CUV-AS	Q	535706	MS4-LFR- <sup>1</sup> / <sub>8</sub> -D7-EUV-AS	Q
	G <sup>1</sup> / <sub>4</sub>	535720	MS4-LFR- <sup>1</sup> / <sub>4</sub> -D7-CUV-AS	Q	535722	MS4-LFR- <sup>1</sup> / <sub>4</sub> -D7-EUV-AS	Q

LT = Lead time

1D typically ships same day/next day

1W typically ships within 1 week

Q request a quote for lead time

# Filter Regulators MS4-LFR – Metric Series

Ordering Data – Configurable Products



**M** Mandatory Data →

Part No.	Series	Size	Function	Connection size	Pressure regulation range	Filtration grade	Bowl
526489	MS	4	LFR	1/8, 1/4, AGA, AGB, AGC	D5 D6 D7	E C	R U
<b>Order example</b>							
<b>526489</b>	<b>MS</b>	<b>4</b>	<b>- LFR</b>	<b>- AGA</b>	<b>- D6</b>	<b>- C</b>	<b>- R</b>

**Ordering Table**

Grid dimension	[mm]	40	Conditions	Code	Enter code
<b>M</b> Part No.		<b>526489</b>			
Series		Standard		<b>MS</b>	MS
Size		4		<b>4</b>	4
Function		Filter regulator		<b>-LFR</b>	-LFR
Connection size		Body thread G1/8		<b>-1/8</b>	
		Body thread G1/4		<b>-1/4</b>	
		Port plate G1/8 (dimensions → 113)		<b>-AGA</b>	
		Port plate G1/4 (dimensions → 113)		<b>-AGB</b>	
		Port plate G3/8 (dimensions → 113)		<b>-AGC</b>	
Pressure regulation range		0.3 ... 4 bar		<b>-D5</b>	
		0.3 ... 7 bar		<b>-D6</b>	
		0.5 ... 12 bar		<b>-D7</b>	
Filtration grade		40 µm		<b>-E</b>	
		5 µm		<b>-C</b>	
Bowl		Plastic bowl with plastic bowl guard		<b>-R</b>	
		Metal bowl		<b>-U</b>	

Transfer order code

<b>526489</b>	<b>MS</b>	<b>4</b>	<b>- LFR</b>				
---------------	-----------	----------	--------------	--	--	--	--

# Filter Regulators MS4-LFR – Metric Series



Ordering Data – Configurable Products

Options							
<b>Bowl drain</b>	<b>Pressure gauge alternatives</b>	<b>Alternative pressure gauge scale</b>	<b>Secondary venting</b>	<b>Rotary knob</b>	<b>Security</b>	<b>Type of mounting</b>	<b>Reverse flow direction</b>
M H V	VS A8 A4 AD1 AD2 AD3 AD4	PSI MPA	OS	LD	AS	WR WP WPM WB WBM	Z
- M	- A8	-	-	- LD	- AS	- WPM	- Z

Ordering Table			
Grid dimension	[mm]	40	Conditions Code Enter code
Bowl drain	Manual		-M
	Semiautomatic (P1 max. 12 bar)		-H
	Fully automatic (P1 max. 12 bar)		-V
Pressure gauge alternatives	Cover plate		-VS
	Adapter plate for EN pressure gauge 1/8, without pressure gauge		-A8
	Adapter plate for EN pressure gauge 1/4, without pressure gauge		-A4
	Pressure sensor with display, M8 plug, 1 switching output PNP, 3-pin	1	-AD1
	Pressure sensor with display, M8 plug, 1 switching output NPN, 3-pin	1	-AD2
	Pressure sensor with display, M12 plug, 1 switching output PNP, 4-pin, analog output 4 ... 20 mA	1	-AD3
	Pressure sensor with display, M12 plug, 1 switching output NPN, 4-pin, analog output 4 ... 20 mA	1	-AD4
Alternative pressure gauge scale	psi	2	-PSI
	MPa	2	-MPA
Secondary venting	Without secondary venting		-OS
Rotary knob	Long rotary knob		-LD
Security	Lockable rotary knob		-AS
Type of mounting	Mounting bracket with knurled nut for regulator head (dimensions → 111)	3	-WR
	Mounting bracket (dimensions → 114)	4	-WP
	Mounting bracket (dimensions → 114)	4	-WPM
	Mounting bracket (dimensions → 110)		-WB
	Mounting bracket (dimensions → 110)		-WBM
Reverse flow direction	Flow direction from right to left		-Z

1 AD1 ... AD4 Measuring range max. 10 bar

2 PSI, MPA Not with pressure gauge alternatives VS, A8, A4, AD1, AD2, AD3, AD4

3 WR Not with long rotary knob LD

4 WP, WPM Only with port plate AGA, AGB or AGC

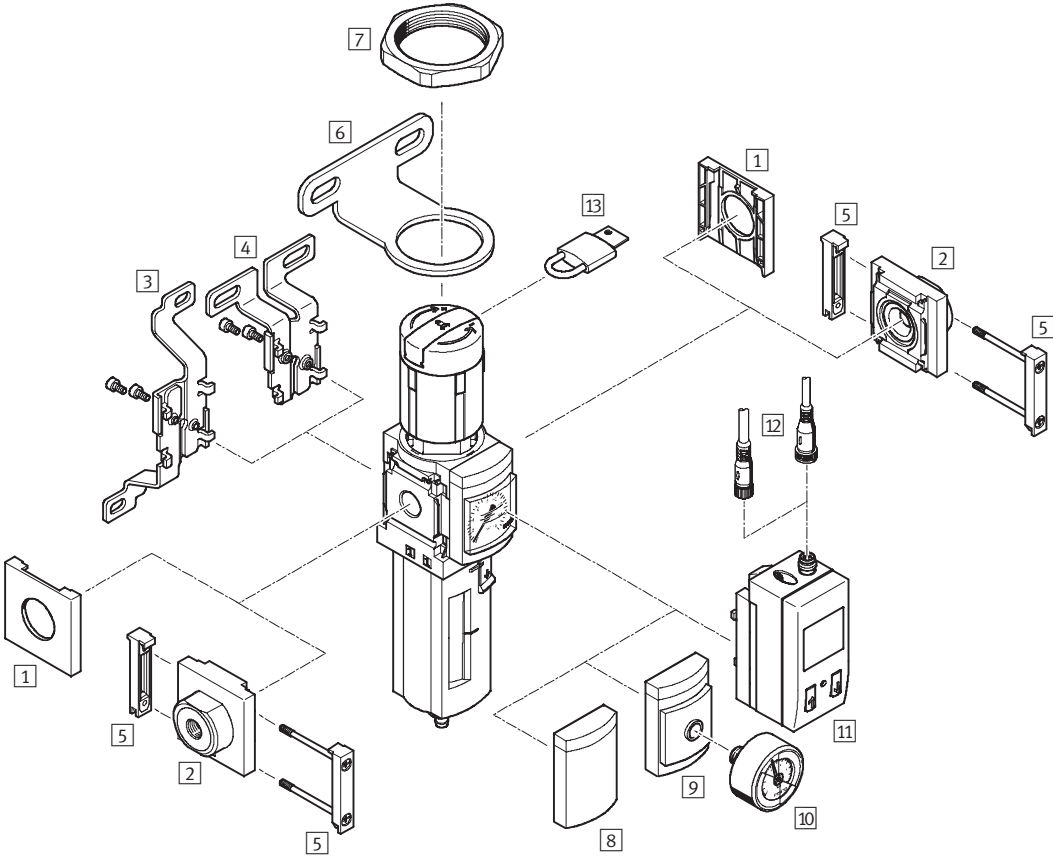
Transfer order code

- [ ] - [ ] - [ ] - [ ] - [ ] - [ ] - [ ] - [ ]

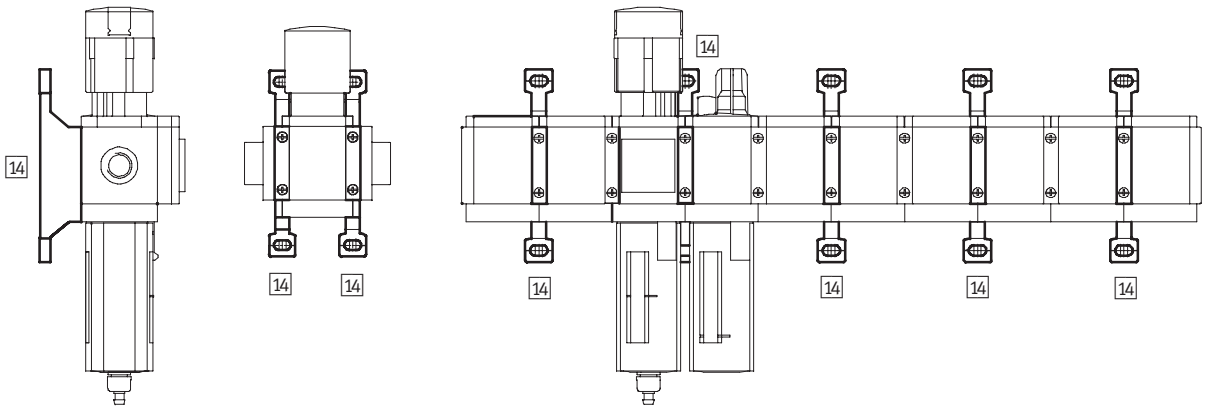
# Filter Regulators MS4-LFR – Metric Series

Accessories Overview

## Mounting Attachments and Accessories



Single unit and combination unit mounting brackets.



# Filter Regulators MS4-LFR – Metric Series

Accessories Overview



Mounting Attachments and Accessories						
		Single unit		Combination unit		→ Page
		without port plate	with port plate	without port plate	with port plate	
1	Cover cap MS4-END	■	-	■	-	112
2	Port plate MS4-AG...	-	■	-	■	113
3	Mounting bracket MS4-WB	■	■	-	-	110
4	Mounting bracket MS4-WBM	■	■	-	-	110
5	Body connector MS4-MV	-	■	■	■	113
6	Regulator wall bracket MS4-WR	■	■	-	-	111
7	Hex nut MS4-WRS	■	■	■	■	111
8	Cover plate VS	■	■	■	■	106
9	Adapter for EN pressure gauge 1/8/1/4 A8/A4	■	■	■	■	106
10	Pressure gauge MA	■	■	■	■	117
11	Pressure sensor SDE1-...-MS AD1 ... AD4	■	■	■	■	106
12	Plug socket with cable SIM-M8-3.../SIM-M12-4...	■	■	■	■	117
13	Padlock LRVS-D	■	■	■	■	117
14	Mounting bracket MS4-WP/WPB/WPM	-	■	■	■	114

# Filter Regulators MS4-LFR – Metric Series



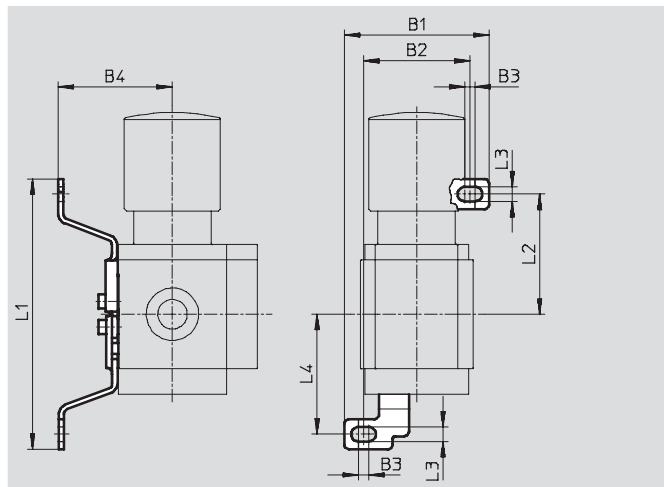
Accessories

## 3 Mounting bracket MS4-WB

- For wall mounting

Material:

Steel



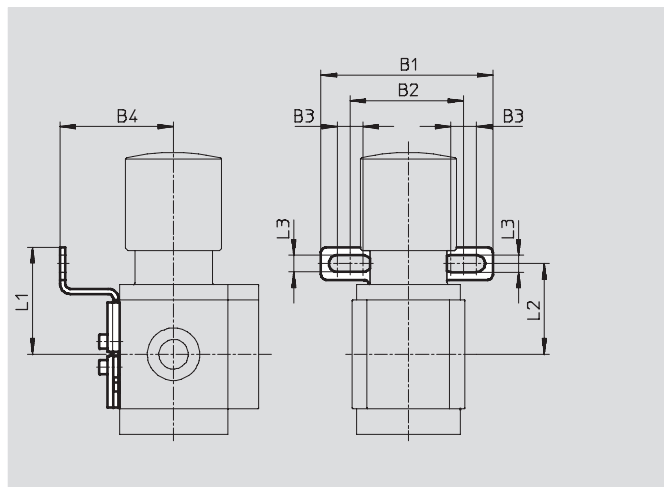
Dimensions and Ordering Data										
B1	B2	B3	B4	L1	L2	L3	L4	Weight [g]	Part No.	Type
56.2	41.2	4	44.2	104.6	46.6	5.6	46.5	46	532185	MS4-WB

## 4 Mounting bracket MS4-WBM

- For wall mounting

Material:

Steel



Dimensions and Ordering Data									
B1	B2	B3	B4	L1	L2	L3	Weight [g]	Part No.	Type
66.5	44	10	44	41.3	35	6.5	48	526062	MS4-WBM

## Filter Regulators MS4-LFR – Metric Series

Accessories

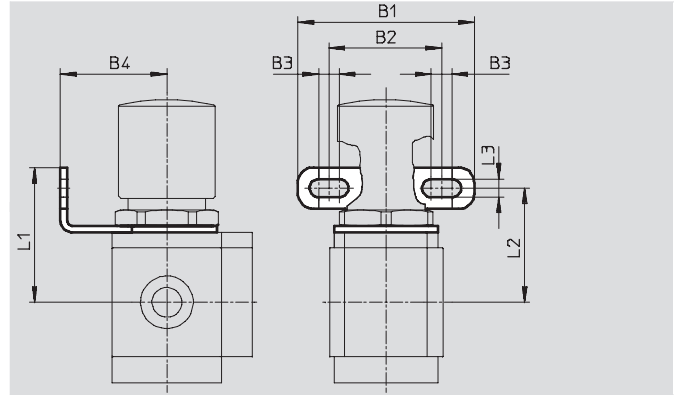
### 6 Mounting bracket MS4-WR

- For wall mounting
- For filter regulator, pressure regulator

Material:  
Steel

**Note**

The hex nut for attaching components to this bracket must be ordered separately.

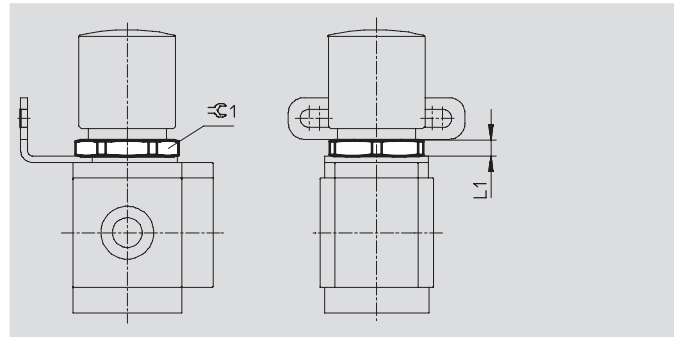


Dimensions and Ordering Data								Part No.	Type
B1	B2	B3	B4	L1	L2	L3	Weight [g]		
68	44	8	41	52	44	7	49	526064	MS4-WR

### 7 Hex nut MS4-WRS

- For front panel mounting
- For attaching components to the mounting bracket MS-WR

Material:  
Aluminum



Dimensions and Ordering Data				Part No.	Type
L1	±0.1	Weight [g]			
6	36	6.9	532187	MS4-WRS	

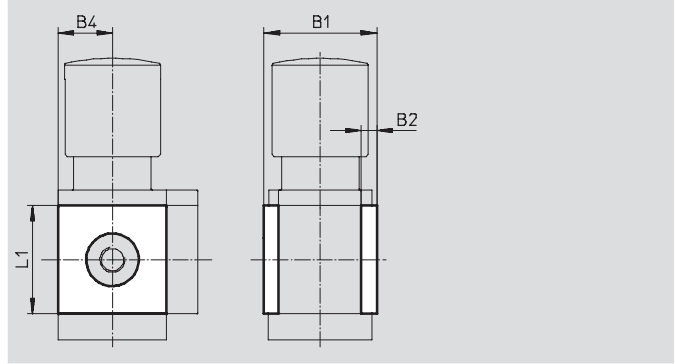
# Filter Regulators MS4-LFR – Metric Series

Accessories

## 1 Cover cap MS4-END

- Can be used to cover the body sides of the first and last module if port plates are not used.

Material:  
Reinforced polyamide  
Free of copper and PTFE

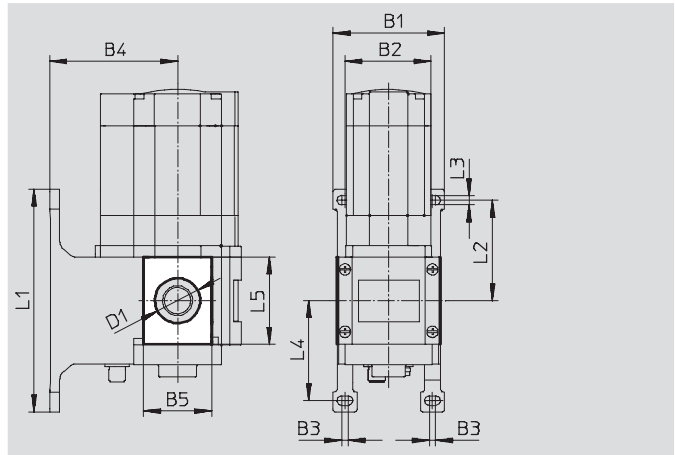


Dimensions and Ordering Data						
B1	B2	B4	L1	Part No.	Type	
43.6	6	21	42	538779	MS4-END	

## Mounting plate MS4-AEND

- In combination with mounting bracket MS-WP or MS-WPB for mounting an individual unit with body thread on a wall

Material:  
Reinforced polyamide  
Conforms to RoHS  
Free of copper and PTFE



Dimensions and Ordering Data															
B1	B2	B3	B4		B5	D1 ∅	L1	L2	L3	L4	L5	CRC <sup>1)</sup>	Weight [g]	Part No.	Type
			WP	WPB											
55.2	40.2	4	44	66	30.4	20.3	106	46.5	5.6	46.7	42	2	4	542966	MS4-AEND

1) Corrosion resistance class 2 according to Festo standard 940 070  
Components requiring moderate corrosion resistance. Externally visible parts with primarily decorative surface requirements which are in direct contact with a normal industrial environment or media such as coolants or lubricating agents.



## Filter Regulators MS4-LFR – Metric Series

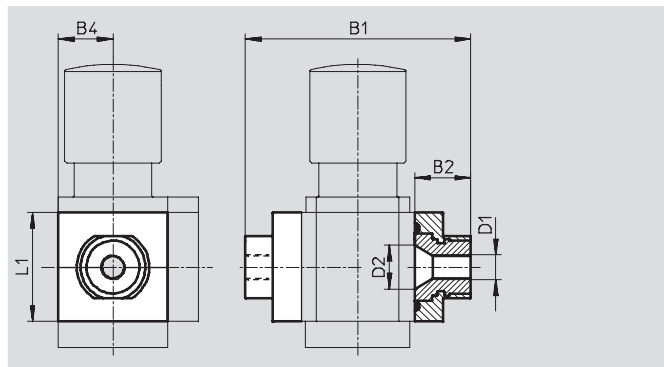
Accessories

FESTO

### 2 Port plate MS4-AG...

- Adapter for pneumatic connection

Material:  
Aluminum



Dimensions and Ordering Data							
B1	B2	B4	D1	D2	L1	Weight [g]	Part No. Type
83.5	21.5	21	G $\frac{1}{8}$	16.8	42	128	526068 MS4-AGA
			G $\frac{1}{4}$				526069 MS4-AGB
			G $\frac{3}{8}$				526070 MS4-AGC

Note: This product conforms with the ISO 1179-1 standard and the ISO 228-1 standard.

### 5 Body connector MS4-MV

- For connecting modules

Material:  
Stainless steel/polyacetate



Ordering Data	
Weight [g]	Part No. Type
36	532798 MS4-MV

# Filter Regulators MS4-LFR – Metric Series

Accessories



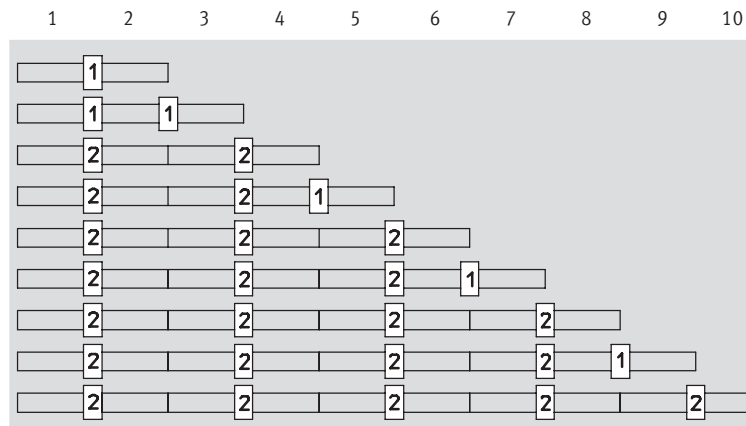
## 14 Mounting Bracket MS4-WP...

Suggested placement of wall mounting brackets when mounting air preparation combinations

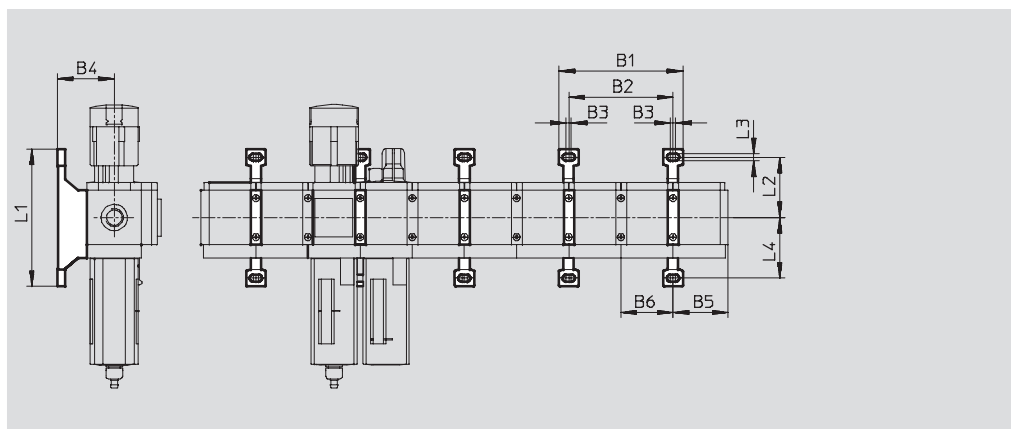
1 unit: 40 mm

2 units: 80 mm

Number of units



## Mounting dimensions



Type	B1	B2	B3	B4	B5	B6	L1	L2	L3	L4
MS4-WP	95.2	80	4	44	41.9	40	106	46.5	5.6	46.7
MS4-WPB				66						
MS4-WPM-...D				44						

# Filter Regulators MS4-LFR – Metric Series

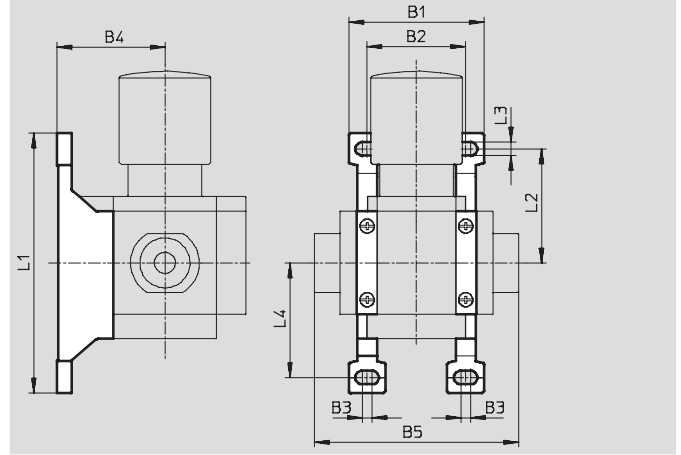


Accessories

## Mounting bracket MS4-WP

- To connect the modules for wall mounting
- In combination with a port plate MS-AG... for mounting an individual unit on a wall
- In combination with mounting plate MS-AEND or for mounting an individual unit with body thread on a wall
- For pressure regulator LRB with angled outlet block B... at rear

Material:  
Die-cast aluminum

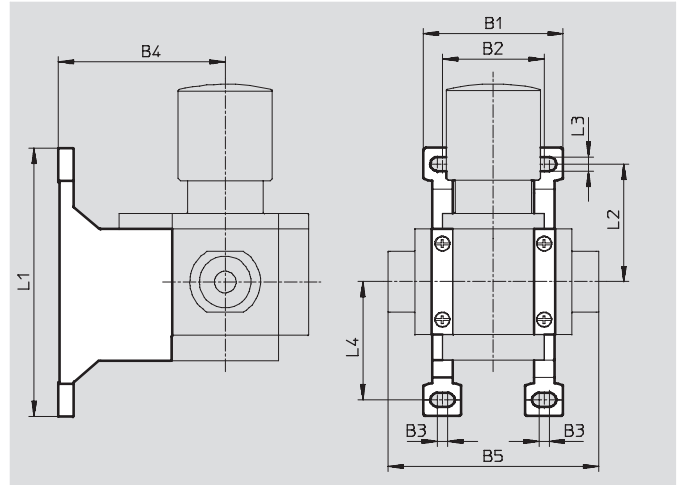


Dimensions and Ordering Data											
B1	B2	B3	B4	B5	L1	L2	L3	L4	Weight [g]	Part No.	Type
55.2	40.2	4	44	83.4	106	46.5	5.6	46.7	39	532184	MS4-WP

## Mounting bracket MS4-WPB

- To connect the modules for wall mounting
- In combination with a port plate MS-AG... for mounting an individual unit on a wall
- In combination with mounting plate MS-AEND or for mounting an individual unit with direct thread on a wall
- Provides large wall gap for pressure regulator

Material:  
Die-cast aluminum



Dimensions and Ordering Data											
B1	B2	B3	B4	B5	L1	L2	L3	L4	Weight [g]	Part No.	Type
55.2	40.2	4	66	83.4	106	46.5	5.6	46.7	55	526063	MS4-WPB

# Filter Regulators MS4-LFR – Metric Series



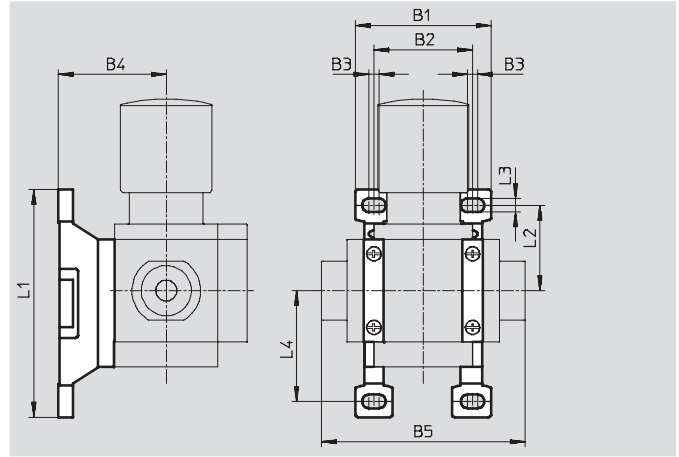
Accessories

## Mounting bracket MS4-WPM

- To connect the modules for wall mounting
- In combination with a port plate MS-AG... for mounting an individual unit on a wall
- Speedy attachment and detachment
- For installation of modules with regulating knob pointing downwards

The distance piece D or 2D (designated in the type code) is included in the scope of delivery and ensures the correct clearance

Material:  
Die-cast aluminum



Dimensions and Ordering Data												
B1	B2	B3	B4	B5	L1	L2	L3	L4	Clearance	Weight [g]	Part No.	Type
55.2	40	4	44	83.4	92.8	34.8	5.6	45.2	40	45	526060	MS4-WPM-D
95.2	80			123.4					80	55	526061	MS4-WPM-2D

## Body connector MS4-MVM

- For installation of modules with regulating knob pointing downwards

Material:  
Die-cast aluminum







Ordering Data		
Size	Part No.	Type
MS4	532800	MS4-MVM


## Filter Regulators MS4-LFR – Metric Series


Accessories

FESTO

11 Ordering Data – Plug Socket with Cable SIM-M8			Technical data → <a href="http://www.festo.com/catalog/sim-m8">www.festo.com/catalog/sim-m8</a>	
	Electrical connection	Cable length [m]	Part No.	Type
				M8x1, 3-pin
		5	159421	SIM-M8-3GD-5-PU
		10	192964	SIM-M8-3GD-10-PU
	M8x1, 3-pin	2.5	159422	SIM-M8-3WD-2,5-PU
		5	159423	SIM-M8-3WD-5-PU
		10	192965	SIM-M8-3WD-10-PU

11 Ordering Data – Plug Socket with Cable SIM-M12			Technical data → <a href="http://www.festo.com/catalog/sim-m12">www.festo.com/catalog/sim-m12</a>	
	Electrical connection	Cable length [m]	Part No.	Type
				M12x1, 4-pin
	M12x1, 4-pin	5	164258	SIM-M12-4WD-5-PU

10 Ordering Data – Pressure Gauge MA				Technical data → <a href="http://www.festo.com/catalog/ma">www.festo.com/catalog/ma</a>		
	Nominal size	Pneumatic connection	Indicating range		Part No.	Type
			[bar]	[psi]		
	Pressure gauge MA, DIN EN 837-1					
	40	G $\frac{1}{4}$	0 ... 16	0 ... 232	183901	MA-40-16-G $\frac{1}{4}$ -EN
	Pressure gauge MA, DIN EN 837-1, with red-green range					
	40	R $\frac{1}{8}$	0 ... 16	–	525726	MA-40-16-R $\frac{1}{8}$ -E-RG
	50	R $\frac{1}{4}$	0 ... 16	–	525729	MA-50-16-R $\frac{1}{4}$ -E-RG

13 Ordering Data – Padlock LRVS-D			
	Description	Weight [g]	Part No. Type
	for regulators, filter/regulators and manual on-off valves	120	193786 LRVS-D

## Filter Regulators MS4-LFR – Metric Series

FESTO

Replacement Parts

Ordering Data – Wearing Parts Kits			
Size	Description	Part No.	Type
MS4	Snap-ring, membrane, bellows, O-rings, screws, stem	673647	MS4-LFR



Ordering Data – Filter Cartridges			
Size	Filtration grade [µm]	Part No.	Type
MS4	5	534501	MS4-LFP-C
	40	534502	MS4-LFP-E

- For spare parts go to: [www.festo.com/en/spare\\_parts\\_service](http://www.festo.com/en/spare_parts_service)

# Filter Regulators MS4N-LFR – Inch Series



A filter regulator combines a filter and a pressure regulator into a single unit. The sintered filter with water separator removes contamination, pipe sinter, rust and condensate from the compressed air. The pressure setting can be adjusted with the regulator.

- Pneumatic connection: 1/8 NPT, 1/4 NPT, 3/8 NPT
- Filtration grade: 5 µm, 40 µm
- Supply pressure
  - for manual drain: 12 ... 206 psi
  - for semiautomatic drain: 22 ... 176 psi
  - for fully automatic drain: 29 ... 176 psi
- Controlled pressure range: 4.4 ... 176 psi
- Flow rate: 30.0 ... 67.1 scfm

Product Range Overview																				
Type	Pneumatic connections		Pressure regulation range [psi]			Filtration grade [µm]		Bowl guard		Bowl drain			Pressure indicator				Pressure adjustment		Reverse flow	
	Body thread	Port plate	4.4... 59	4.4 ... 103	7.4 ... 176	5	40	Plastic bowl guard	Metal bowl	Manual	Semiautomatic	Fully automatic	Cover plate (without pressure gauge)	Integrated MS pressure gauge	Adapter for pressure gauge 1/8 NPT	Adapter for pressure gauge 1/4 NPT	Pressure sensor with display	Rotary knob, lockable	Rotary knob, long	Flow direction from right to left
MS4N		AG...	D5	D6	D7	C	E	R	U	M	H	V	VS	AG	A8	A4	AD...	AS	LD	Z
LFR	1/8 NPT, 1/4 NPT, 3/8 NPT	1/8 NPT, 1/4 NPT, 3/8 NPT	■	■	■	■	■	■	■	■	■	■	■	■	■	■	■	■	■	■

### Features

- Good control characteristics with low hysteresis and primary pressure compensation
- High flow rates
- Directly actuated diaphragm regulator
- Three pressure regulation ranges
- Modular, in-line or panel mounting
- Lockable rotary knob
- Available with or without secondary venting
- Two pressure gauge connections for different fitting options
- Reverse flow option for exhausting from output 2 to output 1
- Optional pressure sensor with display and electric output

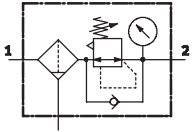
### Contents

- Technical Data → 120
- Dimensional Drawings → 124
- Ordering Data → 127
- Accessories → 130
- Replacement Parts → 140
- [www.festo.com/catalog/ms4n-lfr](http://www.festo.com/catalog/ms4n-lfr)

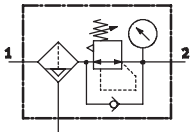
# Filter Regulators MS4N-LFR – Inch Series

Technical Data

ISO Symbol



Manual bowl drain



Semi or fully automatic bowl drain



General Technical Data			
Pneumatic connection 1, 2		1/8 NPT	1/4 NPT
Filtration grade	[µm]	5 (air purity class at the output 3.7.- to DIN ISO 8573-1) 40 (air purity class at the output 5.7.- to DIN ISO 8573-1)	
Supply pressure	M [psi]	12 ... 206 (manual drain)	
	H [psi]	22 ... 176 (semiautomatic drain)	
	V [psi]	29 ... 176 (fully automatic drain)	
Pressure regulation range	D5 [psi]	4.4 ... 59	
	D6 [psi]	4.4 ... 103	
	D7 [psi]	7.4 ... 176 (4.4 ... 147 with variant pressure sensor AD...)	
Max. hysteresis	[psi]	3.7	

Standard Nominal Flow Rate qnN <sup>1)</sup> [scfm]			
Pneumatic connection 1, 2		1/8 NPT	1/4 NPT
D5 – Pressure regulation range 4.4 ... 59 psi			
Filtration grade	5 µm	31.8 <sup>2)</sup>	63.5 <sup>2)</sup>
	40 µm	38.8 <sup>2)</sup>	67.1 <sup>2)</sup>
D6 – Pressure regulation range 4.4 ... 103 psi			
Filtration grade	5 µm	31.8	53.0
	40 µm	35.3	60.0
D7 – Pressure regulation range 7.4 ... 176 psi			
Filtration grade	5 µm	30.0	42.4
	40 µm	31.8	53.0

1) Measured at p1 = 147 psi and p2 = 88 psi, Δp = 15 psi  
 2) Measured at p1 = 147 psi and p2 = 44 psi, Δp = 15 psi



# Filter Regulators MS4N-LFR – Inch Series

Technical Data



Operating and Environmental Conditions			
Bowl drain	Manual M	Semiautomatic H	Fully automatic V
Operating medium without pressure sensor AD...	Compressed air		
Operating medium with pressure sensor AD...	Filtered compressed air, lubricated or unlubricated, filtration grade 40 µm		
Max. condensate volume [in <sup>3</sup> ]	1.16 (with plastic bowl guard) 1.53 (with metal bowl)		
Bowl guard	Plastic bowl guard		
	Metal bowl		
Ambient temperature without pressure sensor AD... [°F]	14 ... 140	41 ... 140	41 ... 140
Ambient temperature with pressure sensor AD... [°F]	32 ... 122	41 ... 122	41 ... 122
Medium temperature without pressure sensor AD... [°F]	14 ... 140	41 ... 140	41 ... 140
Medium temperature with pressure sensor AD... [°F]	32 ... 122	41 ... 122	41 ... 122
Storage temperature [°F]	14 ... 140	14 ... 140	14 ... 140
Assembly position	Vertical ±5°		
Corrosion resistance CRC <sup>1)</sup>	2		

1) Corrosion resistance class 2 according to Festo standard 940 070  
Components requiring moderate corrosion resistance. Externally visible parts with primarily decorative surface requirements which are in direct contact with a normal industrial environment or media such as coolants or lubricating agents.

Weights [lb]	
With plastic bowl guard	0.55
With metal bowl	0.95

- Wearing parts kits → 140
- Filter cartridges → 140
- For spare parts go to: [www.festo.com/en/spare\\_parts\\_service](http://www.festo.com/en/spare_parts_service)

# Filter Regulators MS4N-LFR – Inch Series

Technical Data



## Standard Flow Rate $q_n$ as a Function of Output Pressure $p_2$

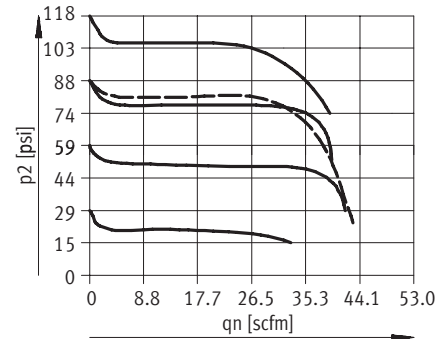
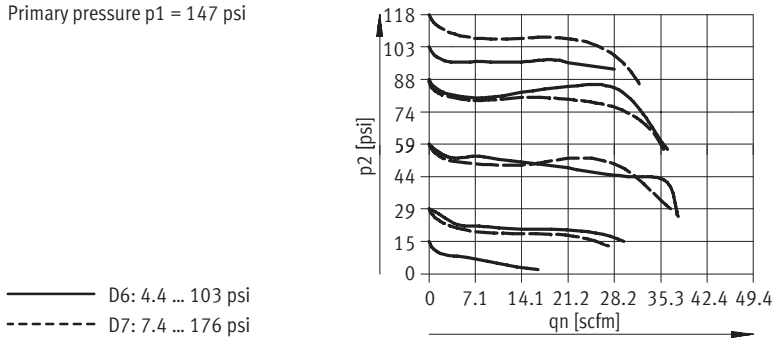
Pressure regulation range D6 or D7

Filtration grade 5  $\mu\text{m}$

Filtration grade 40  $\mu\text{m}$

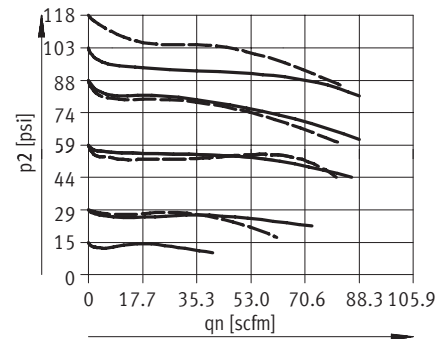
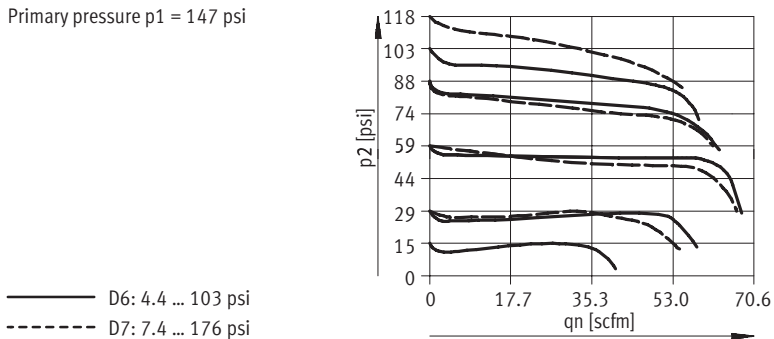
MS4N-LFR-1/8

Primary pressure  $p_1 = 147$  psi



MS4N-LFR-1/4

Primary pressure  $p_1 = 147$  psi

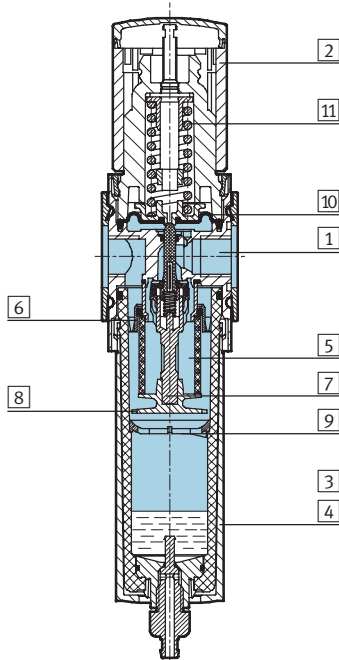


# Filter Regulators MS4N-LFR – Inch Series

Technical Data

## Materials

Sectional view



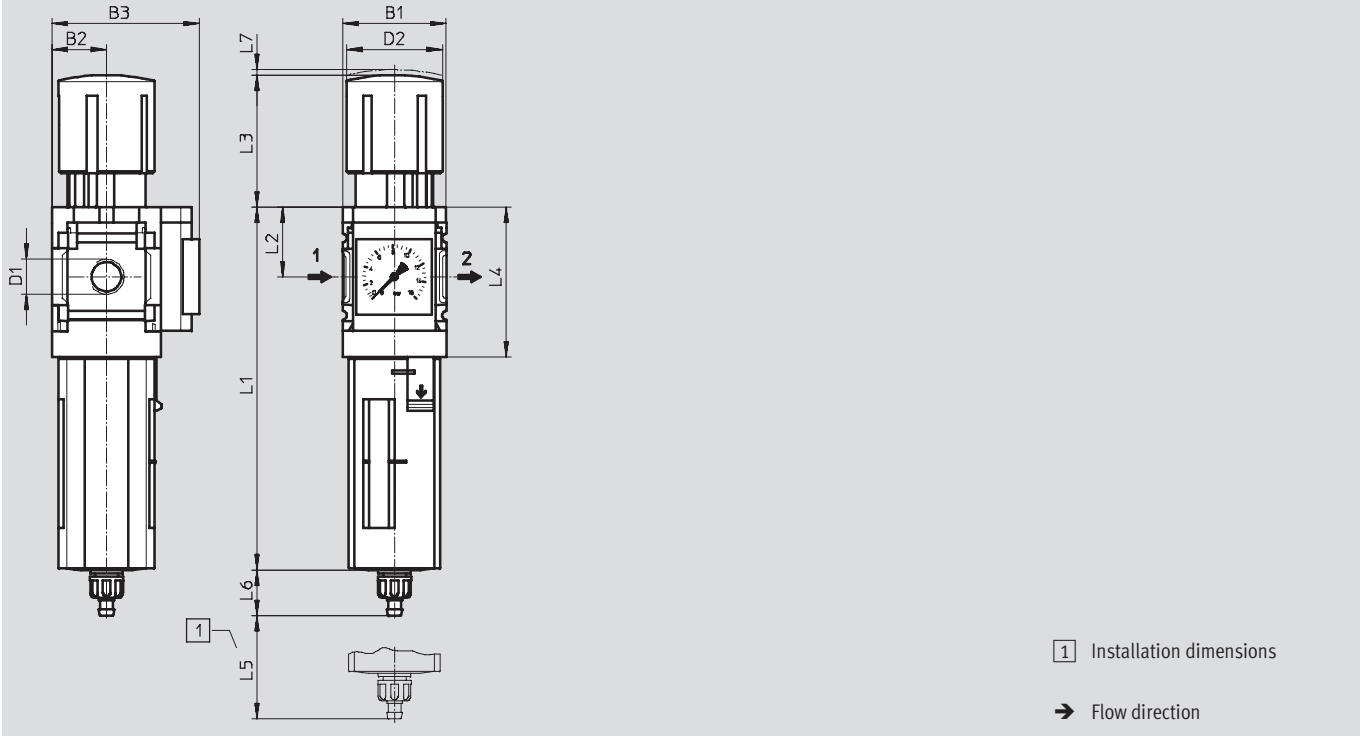
Filter regulator		
1	Body	Die-cast aluminum
2	Regulating knob	Polyamide/polyacetate
3	Plastic bowl guard	Polycarbonate/polyamide
4	Metal bowl Viewing window	Aluminum Polyamide
5	Filter element	Polyethylene
6	Spin disk	Polyacetate
7	Filter holder	Polyacetate
8	Separating plate	Polyacetate
9	Stabilizing disk	Polyacetate
10	Diaphragm	Nitrile rubber
11	Spring	Steel
-	Seals	Nitrile rubber
Note on materials		Free of copper and PTFE only with cover plate VS

# Filter Regulators MS4N-LFR – Inch Series

Dimensional Drawings

Dimensions<sup>1)</sup> – Standard Download CAD Data → [www.festo.com/us/cad](http://www.festo.com/us/cad)

With pressure gauge, display unit [psi], rotary knob as standard, manual bowl drain



Type	B1	B2	B3	D1	D2	L1		L2	L3	L4	L5	L6		L7
						Bowl guard						Bowl guard		
						Plastic	Metal					Plastic	Metal	
MS4N-LFR-1/8	1.57	0.83	2.24	1/8 NPT	1.46	5.54	6.23	1.06	2.01	2.30	0.98	0.70	0.70	0.08
MS4N-LFR-1/4				1/4 NPT										

1) Dimensions are in inches, unless otherwise noted.

# Filter Regulators MS4N-LFR – Inch Series

Dimensional Drawings



**Dimensions<sup>1)</sup> – Pressure Gauge Alternatives** Download CAD Data → [www.festo.com/us/cad](http://www.festo.com/us/cad)

Cover plate VS Adapter plate A8/A4 for EN pressure gauge 1/8/1/4, without pressure gauge

→ Flow direction

**Pressure sensor with display AD1 ... AD4** Technical data SDE1 → [www.festo.com/catalog/sde1](http://www.festo.com/catalog/sde1)

→ Flow direction

AD1 variants:  
SDE1-D10-G2-MS-L-P1-M8 with 3-pin plug M8x1, 1 switching output PNP

AD2 variants:  
SDE1-D10-G2-MS-L-N1-M8 with 3-pin plug M8x1, 1 switching output NPN

AD3 variants:  
SDE1-D10-G2-MS-L-PI-M12 with 4-pin plug M12x1, 1 switching output PNP and 4 ... 20 mA analog

AD4 variants:  
SDE1-D10-G2-MS-L-NI-M12 with 4-pin plug M12x1, 1 switching output NPN and 4 ... 20 mA analog

Type	B2	B3	D1	D4	D6	L5	L6
MS4N-LFR-1/8-...-VS	0.83	2.13	1/8 NPT	-	-	-	-
MS4N-LFR-1/4-...-VS			1/4 NPT				
MS4N-LFR-1/8-...-A8	0.83	2.30	1/8 NPT	1/8 NPT	-	-	-
MS4N-LFR-1/4-...-A8			1/4 NPT				
MS4N-LFR-1/8-...-A4	0.83	2.30	1/8 NPT	1/4 NPT	-	-	-
MS4N-LFR-1/4-...-A4			1/4 NPT				
MS4N-LFR-1/8-...-AD1/AD2	0.83	3.25	1/8 NPT	-	M8x1	1.38	1.84
MS4N-LFR-1/4-...-AD1/AD2			1/4 NPT				
MS4N-LFR-1/8-...-AD3/AD4	0.83	3.25	1/8 NPT	-	M12x1	1.38	2.20
MS4N-LFR-1/4-...-AD3/AD4			1/4 NPT				

1) Dimensions are in inches, unless otherwise noted.

# Filter Regulators MS4N-LFR – Inch Series

Dimensional Drawings



**Dimensions<sup>1)</sup> – Rotary Knob** Download CAD Data → [www.festo.com/us/cad](http://www.festo.com/us/cad)

For installation into control panel

**Standard**

**Standard, lockable AS**

**Long LD**

**Long, lockable LD-AS**

1) Max. control panel thickness

Type	B4	B5	D2	D3 +0.04	L3	L8	L9
MS4N-LFR-...	-	-	1.46	1.18	2.01	0.51	0.24
MS4N-LFR-...-AS	1.90	1.17			2.37		
MS4N-LFR-...-LD	-	-	1.46	-	2.01	-	-
MS4N-LFR-...-LD-AS	1.90	1.17			2.37		

1) Dimensions are in inches, unless otherwise noted.

**Dimensions<sup>1)</sup> – Bowl Drain** Download CAD Data → [www.festo.com/us/cad](http://www.festo.com/us/cad)

**Manual M**

Barbed fitting for plastic tubing  
PCN-4

**Semiautomatic H**

QS fitting for plastic tubing  
PUN-6/PAN-6

**Fully automatic V**

Barbed fitting for plastic tubing  
PCN-4

Type	L6
Plastic bowl guard	
MS4N-LFR-...-M	0.70
Metal bowl	
MS4N-LFR-...-M	0.70

Type	L6
Plastic bowl guard	
MS4N-LFR-...-H	0.87
Metal bowl	
MS4N-LFR-...-H	0.87

Type	L6
Plastic bowl guard	
MS4N-LFR-...-V	0.80
Metal bowl	
MS4N-LFR-...-V	0.80

1) Dimensions are in inches, unless otherwise noted.

# Filter Regulators MS4N-LFR – Inch Series



Ordering Data – Pre-configured Products

Ordering Data							
Pressure regulation range 4.4 ... 103 psi							
Bowl drain	Connection	Filtration grade 5 µm			Filtration grade 40 µm		
		Part No.	Type	LT	Part No.	Type	LT
Plastic bowl guard							
Manual	1/8 NPT	531230	MS4N-LFR-1/8-D6-CRM-AS	1D	531222	MS4N-LFR-1/8-D6-ERM-AS	1D
	1/4 NPT	531229	MS4N-LFR-1/4-D6-CRM-AS	1D	531221	MS4N-LFR-1/4-D6-ERM-AS	1D
Fully automatic	1/8 NPT	531234	MS4N-LFR-1/8-D6-CRV-AS	1D	531226	MS4N-LFR-1/8-D6-ERV-AS	1D
	1/4 NPT	531233	MS4N-LFR-1/4-D6-CRV-AS	1D	531225	MS4N-LFR-1/4-D6-ERV-AS	1D

Ordering Data							
Pressure regulation range 7.4 ... 176 psi							
Bowl drain	Connection	Filtration grade 5 µm			Filtration grade 40 µm		
		Part No.	Type	LT	Part No.	Type	LT
Plastic bowl guard							
Manual	1/8 NPT	531214	MS4N-LFR-1/8-D7-CRM-AS	1D	531206	MS4N-LFR-1/8-D7-ERM-AS	1D
	1/4 NPT	531213	MS4N-LFR-1/4-D7-CRM-AS	1D	531205	MS4N-LFR-1/4-D7-ERM-AS	1D
Fully automatic	1/8 NPT	531218	MS4N-LFR-1/8-D7-CRV-AS	1D	531210	MS4N-LFR-1/8-D7-ERV-AS	1D
	1/4 NPT	531217	MS4N-LFR-1/4-D7-CRV-AS	1D	531209	MS4N-LFR-1/4-D7-ERV-AS	1D
Metal bowl							
Manual	1/8 NPT	535734	MS4N-LFR-1/8-D7-CUM-AS	Q	535740	MS4N-LFR-1/8-D7-EUM-AS	Q
	1/4 NPT	535750	MS4N-LFR-1/4-D7-CUM-AS	Q	535756	MS4N-LFR-1/4-D7-EUM-AS	Q
Fully automatic	1/8 NPT	535736	MS4N-LFR-1/8-D7-CUV-AS	Q	535738	MS4N-LFR-1/8-D7-EUV-AS	Q
	1/4 NPT	535752	MS4N-LFR-1/4-D7-CUV-AS	Q	535754	MS4N-LFR-1/4-D7-EUV-AS	Q

LT = Lead time      1D typically ships same day/next day      1W typically ships within 1 week      Q request a quote for lead time

# Filter Regulators MS4N-LFR – Inch Series

Ordering Data – Configurable Products



**M** Mandatory Data →

Part No.	Series	Size	Thread	Function	Connection size	Pressure regulation range	Filtration grade	Bowl
527694	MS	4	N	LFR	1/8, 1/4, AQK, AQN, AQP	D5 D6 D7	E C	R U
<b>Order example</b>								
<b>527694</b>	<b>MS</b>	<b>4</b>	<b>N</b>	<b>- LFR</b>	<b>- AQK</b>	<b>- D6</b>	<b>- C</b>	<b>- R</b>

**Ordering Table**

Grid dimension	[mm]	40	Conditions	Code	Enter code
<b>M</b> Part No.	<b>527694</b>				
Series	Standard			<b>MS</b>	MS
Size	4			<b>4</b>	4
Thread	NPT thread			<b>N</b>	N
Function	Filter regulator			<b>-LFR</b>	-LFR
Connection size	Body thread 1/8 NPT			<b>-1/8</b>	
	Body thread 1/4 NPT			<b>-1/4</b>	
	Port plate 1/8 NPT (dimensions → 135)			<b>-AQK</b>	
	Port plate 1/4 NPT (dimensions → 135)			<b>-AQN</b>	
	Port plate 3/8 NPT (dimensions → 135)			<b>-AQP</b>	
Pressure regulation range	4.4 ... 59 psi			<b>-D5</b>	
	4.4 ... 103 psi			<b>-D6</b>	
	7.4 ... 176 psi			<b>-D7</b>	
Filtration grade	40 µm			<b>-E</b>	
	5 µm			<b>-C</b>	
Bowl	Plastic bowl with plastic bowl guard			<b>-R</b>	
	Metal bowl			<b>-U</b>	

Transfer order code

<b>527694</b>	<b>MS</b>	<b>4</b>	<b>N</b>	<b>- LFR</b>	-		-		-		-	
---------------	-----------	----------	----------	--------------	---	--	---	--	---	--	---	--



# Filter Regulators MS4N-LFR – Inch Series



Ordering Data – Configurable Products

Options							
<b>Bowl drain</b>	<b>Pressure gauge alternatives</b>	<b>Alternative pressure gauge scale</b>	<b>Secondary venting</b>	<b>Rotary knob</b>	<b>Security</b>	<b>Type of mounting</b>	<b>Reverse flow direction</b>
M H V	VS A8 A4 AD1 AD2 AD3 AD4	BAR MPA	OS	LD	AS	WR WP WPM WB WBM	Z
- M	- A8	-	-	- LD	- AS	- WPM	- Z

Ordering Table			
Grid dimension	[mm]	40	Conditions Code Enter code
M	Bowl drain	Manual	-M
		Semiautomatic (P1 max. 176 psi)	-H
		Fully automatic (P1 max. 176 psi)	-V
O	Pressure gauge alternatives	Cover plate	-VS
		Adapter plate for EN pressure gauge 1/8, without pressure gauge	-A8
		Adapter plate for EN pressure gauge 1/4, without pressure gauge	-A4
		Pressure sensor with display, M8 plug, 1 switching output PNP, 3-pin	1 -AD1
		Pressure sensor with display, M8 plug, 1 switching output NPN, 3-pin	1 -AD2
		Pressure sensor with display, M12 plug, 1 switching output PNP, 4-pin, analog output 4 ... 20 mA	1 -AD3
		Pressure sensor with display, M12 plug, 1 switching output NPN, 4-pin, analog output 4 ... 20 mA	1 -AD4
		Alternative pressure gauge scale	bar
MPa	2 -MPA		
Secondary venting	Without secondary venting	-OS	
Rotary knob	Long rotary knob	-LD	
Security	Lockable rotary knob	-AS	
Type of mounting	Mounting bracket with knurled nut for regulator head (dimensions → 133)	3 -WR	
	Mounting bracket (dimensions → 136)	4 -WP	
	Mounting bracket (dimensions → 136)	4 -WPM	
	Mounting bracket (dimensions → 132)	-WB	
	Mounting bracket (dimensions → 132)	-WBM	
Reverse flow direction	Flow direction from right to left	-Z	

1 AD1 ... AD4 Measuring range max. 147 psi

2 BAR, MPA Not with pressure gauge alternatives VS, A8, A4, AD1, AD2, AD3, AD4

3 WR Not with long rotary knob LD

4 WP, WPM Only with port plate AQK, AQN or AQP

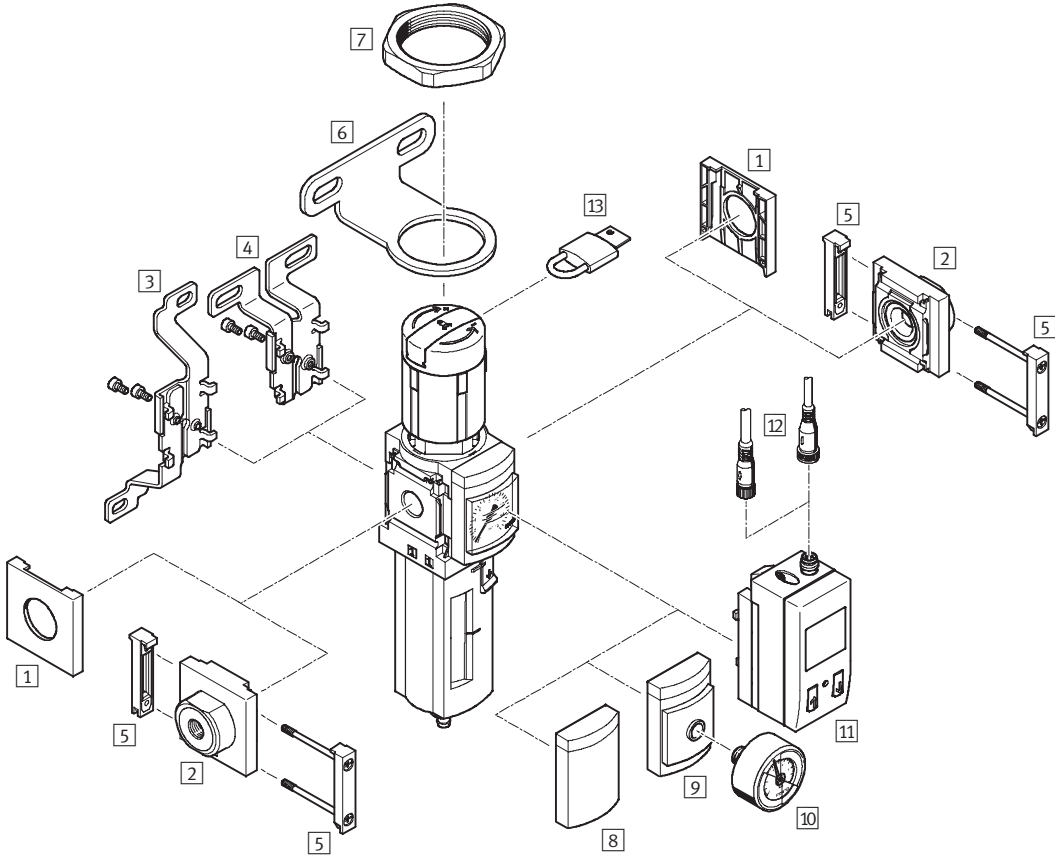
Transfer order code

- [ ] - [ ] - [ ] - [ ] - [ ] - [ ] - [ ] - [ ]

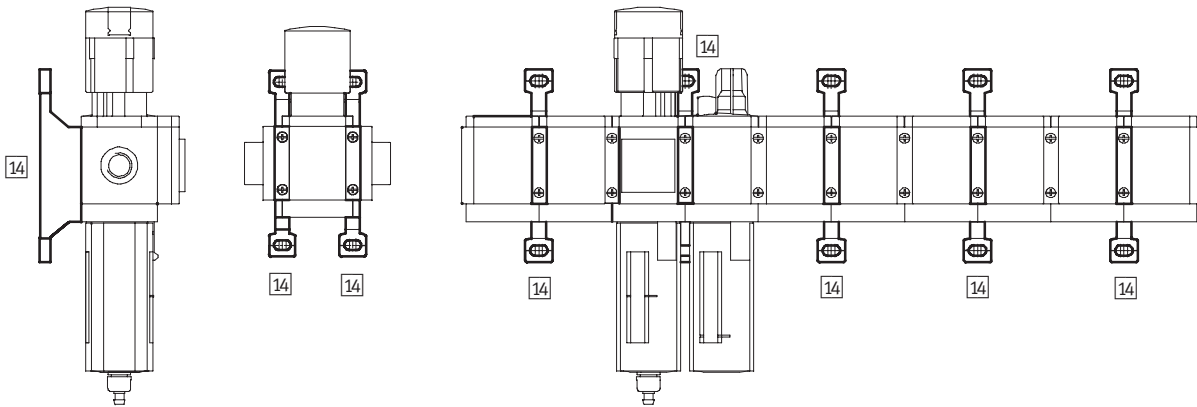
# Filter Regulators MS4N-LFR – Inch Series

Accessories Overview

## Mounting Attachments and Accessories



Single unit and combination unit mounting brackets.



# Filter Regulators MS4N-LFR – Inch Series

Accessories Overview



Mounting Attachments and Accessories						
		Single unit		Combination unit		→ Page
		without port plate	with port plate	without port plate	with port plate	
1	Cover cap MS4-END	■	-	■	-	134
2	Port plate MS4N-AQ...	-	■	-	■	135
3	Mounting bracket MS4-WB	■	■	-	-	132
4	Mounting bracket MS4-WBM	■	■	-	-	132
5	Body connector MS4-MV	-	■	■	■	135
6	Regulator wall bracket MS4-WR	■	■	-	-	133
7	Hex nut MS4-WRS	■	■	■	■	133
8	Cover plate VS	■	■	■	■	128
9	Adapter for EN pressure gauge 1/8/1/4 A8/A4	■	■	■	■	128
10	Pressure gauge MA	■	■	■	■	139
11	Pressure sensor SDE1-...-MS AD1 ... AD4	■	■	■	■	128
12	Plug socket with cable SIM-M8-3.../SIM-M12-4...	■	■	■	■	139
13	Padlock LRVS-D	■	■	■	■	139
14	Mounting bracket MS4-WP/WPB/WPM	-	■	■	■	136

# Filter Regulators MS4N-LFR – Inch Series

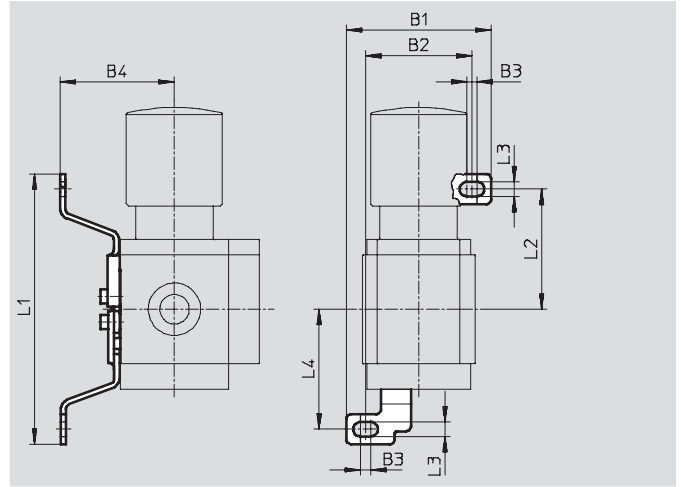


Accessories

## 3 Mounting bracket MS4-WB

- For wall mounting

Material:  
Steel

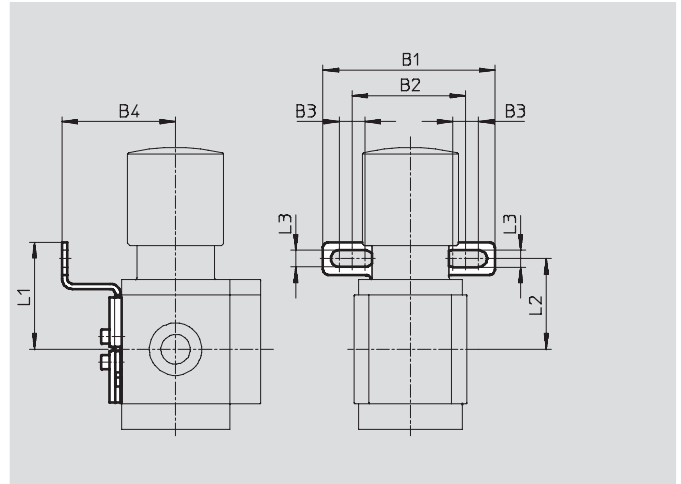


Dimensions and Ordering Data										
B1	B2	B3	B4	L1	L2	L3	L4	Weight [lb]	Part No.	Type
2.21	1.62	0.16	1.74	4.12	1.83	0.22	1.83	0.09	532185	MS4-WB

## 4 Mounting bracket MS4-WBM

- For wall mounting

Material:  
Steel



Dimensions and Ordering Data									
B1	B2	B3	B4	L1	L2	L3	Weight [lb]	Part No.	Type
2.62	1.73	0.39	1.73	1.63	1.38	0.26	0.10	526062	MS4-WBM

# Filter Regulators MS4N-LFR – Inch Series

Accessories

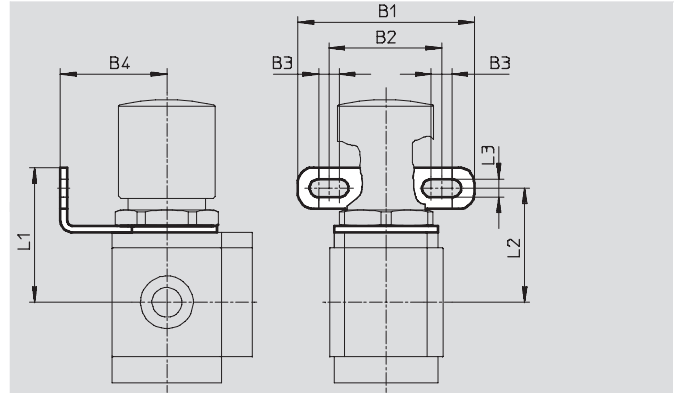
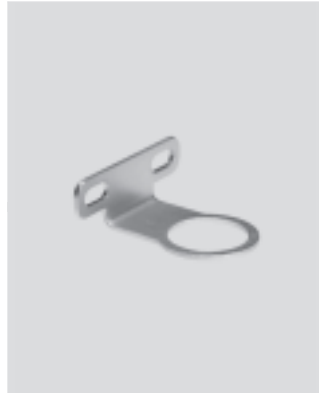
## 6 Mounting bracket MS4-WR

- For wall mounting a filter regulator and pressure regulator

Material:  
Steel

### Note

The hex nut for attaching components to this bracket must be ordered separately.

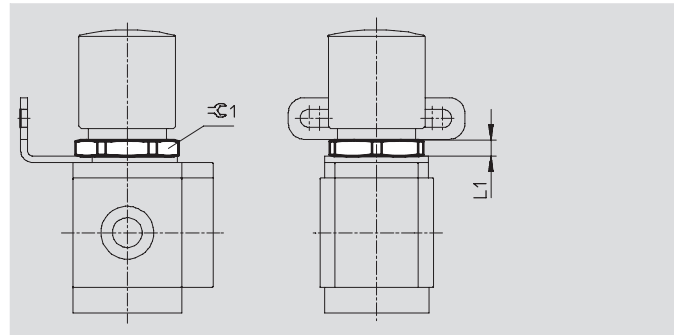


Dimensions and Ordering Data								Part No.	Type
B1	B2	B3	B4	L1	L2	L3	Weight [lb]		
2.68	1.73	0.31	1.61	2.05	1.73	0.28	0.10	526064	MS4-WR

## 7 Hex nut MS4-WRS

- For front panel mounting
- For attaching components to the mounting bracket MS-WR

Material:  
Aluminum



Dimensions and Ordering Data				Part No.	Type
L1	∅ 1	Weight [lb]			
0.24	1.42	0.01	532187	MS4-WRS	

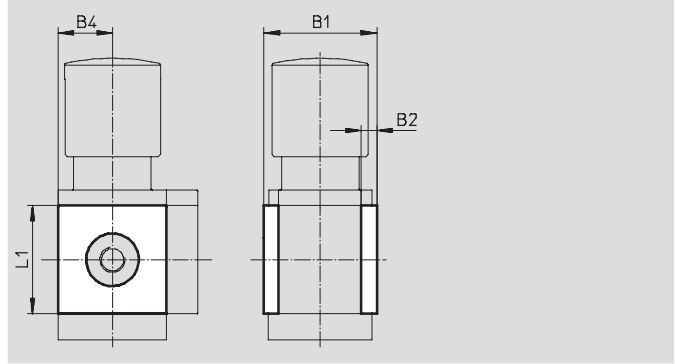
# Filter Regulators MS4N-LFR – Inch Series

Accessories

## 1 Cover cap MS4-END

- Can be used to cover the body sides of the first and last module if port plates are not used.

Material:  
Reinforced polyamide  
Free of copper and PTFE

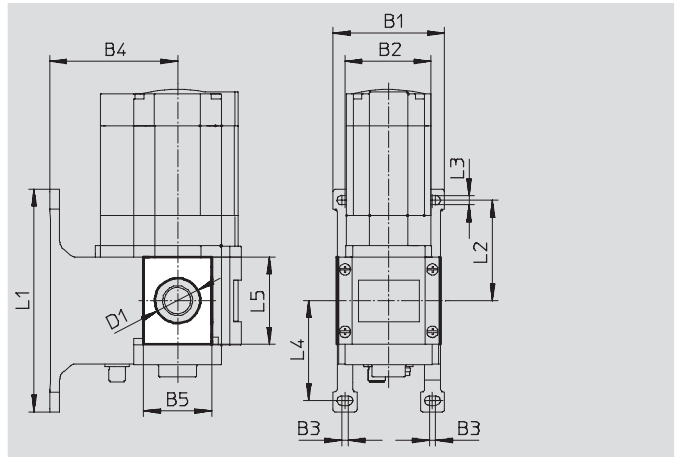


Dimensions and Ordering Data						
B1	B2	B4	L1	Part No.	Type	
1.72	0.24	0.83	1.65	538779	MS4-END	

## Mounting plate MS4-AEND

- In combination with mounting bracket MS-WP or MS-WPB for mounting an individual unit with body thread on a wall

Material:  
Reinforced polyamide  
Conforms to RoHS  
Free of copper and PTFE



Dimensions and Ordering Data															
B1	B2	B3	B4		B5	D1 ∅	L1	L2	L3	L4	L5	CRC <sup>1)</sup>	Weight [lb]	Part No.	Type
			WP	WPB											
2.17	1.58	0.16	1.73	2.60	1.20	0.80	4.17	1.83	0.22	1.84	1.65	2	0.01	542966	MS4-AEND

1) Corrosion resistance class 2 according to Festo standard 940 070  
Components requiring moderate corrosion resistance. Externally visible parts with primarily decorative surface requirements which are in direct contact with a normal industrial environment or media such as coolants or lubricating agents.

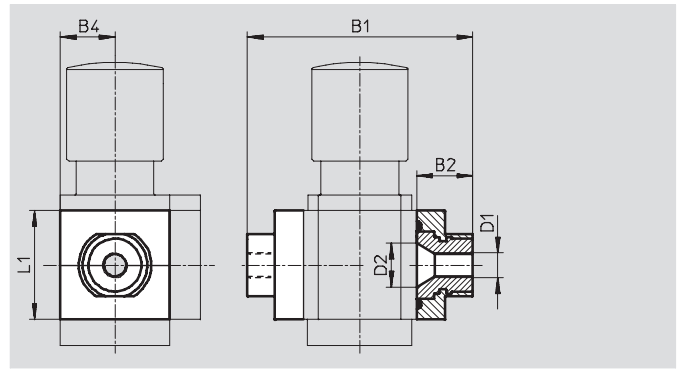
## Filter Regulators MS4N-LFR – Inch Series

Accessories

### 2 Port plate MS4N-AQ...

- Adapter for pneumatic connection

Material:  
Aluminum



Dimensions and Ordering Data								
B1	B2	B4	D1	D2	L1	Weight [lb]	Part No.	Type
3.29	0.85	0.83	1/8 NPT	0.66	1.65	0.26	526065	MS4N-AQK
			1/4 NPT				526066	MS4N-AQN
			3/8 NPT				526067	MS4N-AQP

### 5 Body connector MS4-MV

- For connecting modules

Material:  
Stainless steel/polyacetate



Ordering Data		
Weight [lb]	Part No.	Type
0.07	532798	MS4-MV

# Filter Regulators MS4N-LFR – Inch Series

Accessories

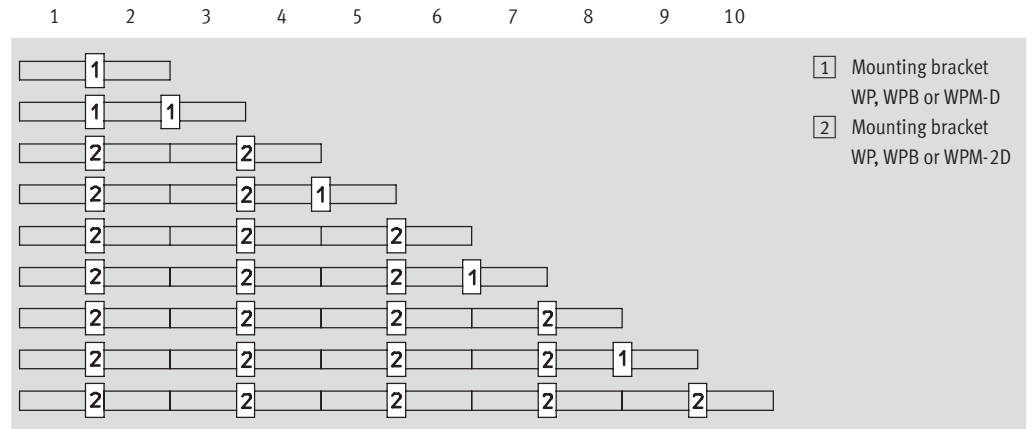


## 14 Mounting Bracket MS4-WP... Suggested placement of wall mounting brackets when mounting air preparation combinations

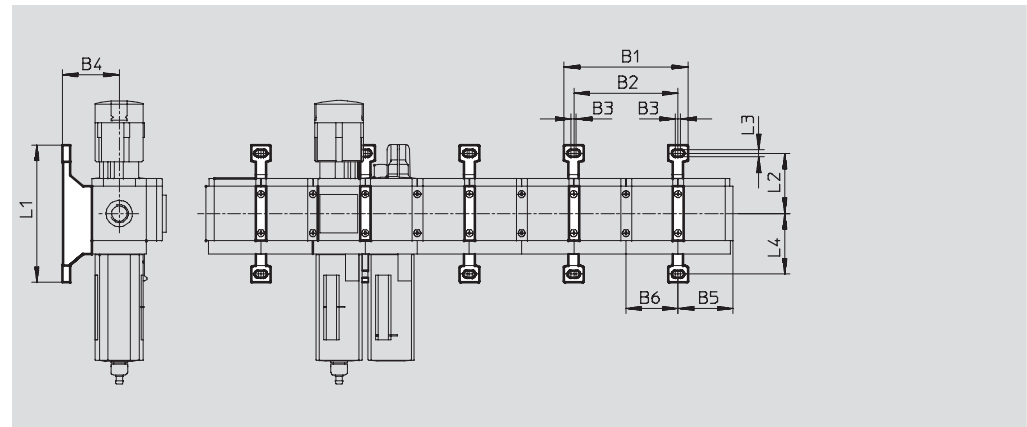
1 unit: 1.575 in

2 units: 3.15 in

Number of units



## Mounting dimensions



Type	B1	B2	B3	B4	B5	B6	L1	L2	L3	L4
MS4-WP	3.75	3.15	0.16	1.73	1.65	1.57	4.17	1.83	0.22	1.84
MS4-WPB				2.60						
MS4-WPM-...D				1.73						



# Filter Regulators MS4N-LFR – Inch Series

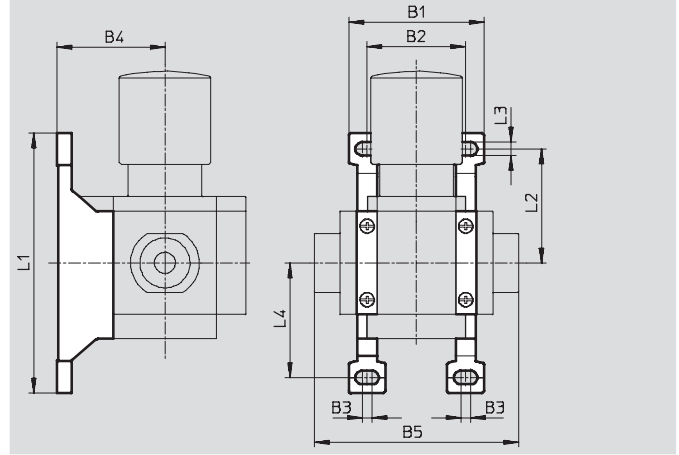


Accessories

## Mounting bracket MS4-WP

- To connect the modules for wall mounting
- In combination with a port plate MS-AG... for mounting an individual unit on a wall
- In combination with mounting plate MS-AEND or for mounting an individual unit with body thread on a wall
- For pressure regulator LRB with angled outlet block B... at rear

Material:  
Die-cast aluminum

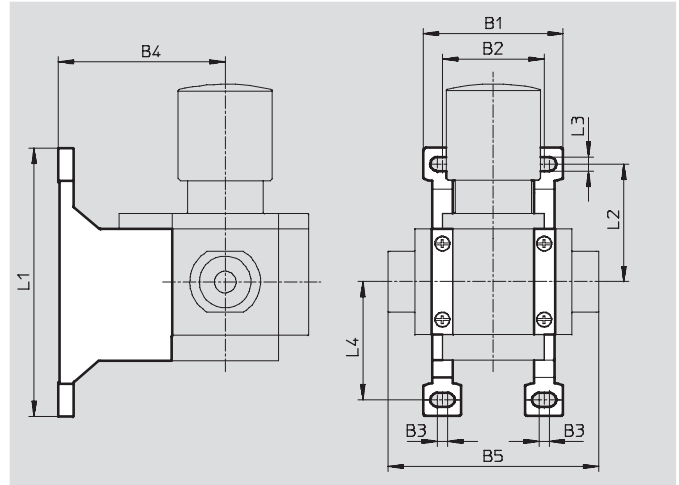


Dimensions and Ordering Data											
B1	B2	B3	B4	B5	L1	L2	L3	L4	Weight [lb]	Part No.	Type
2.17	1.58	0.16	1.73	3.28	4.17	1.83	0.22	1.84	0.08	532184	MS4-WP

## Mounting bracket MS4-WPB

- To connect the modules for wall mounting
- In combination with a port plate MS-AG... for mounting an individual unit on a wall
- In combination with mounting plate MS-AEND or for mounting an individual unit with direct thread on a wall
- Provides large wall gap for pressure regulator

Material:  
Die-cast aluminum



Dimensions and Ordering Data											
B1	B2	B3	B4	B5	L1	L2	L3	L4	Weight [lb]	Part No.	Type
2.17	1.58	0.16	2.60	3.28	4.17	1.83	0.22	1.84	0.11	526063	MS4-WPB

# Filter Regulators MS4N-LFR – Inch Series

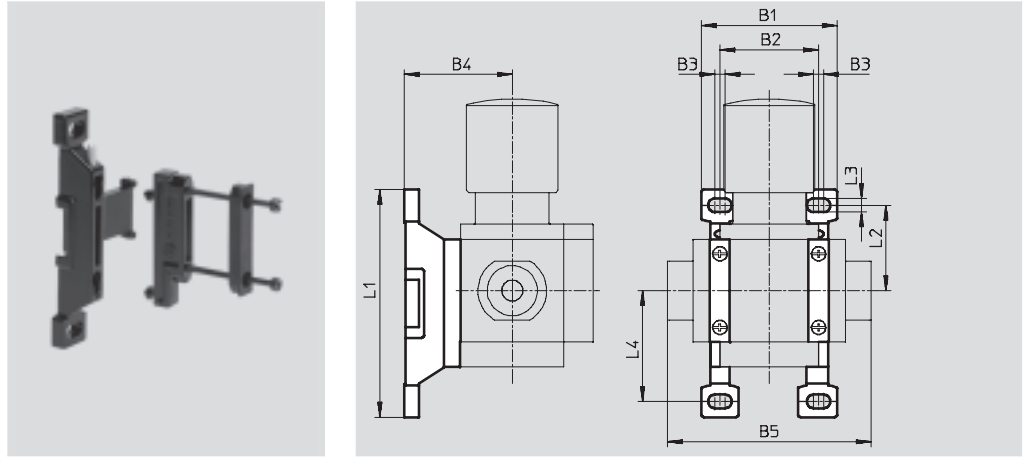
Accessories

## Mounting bracket MS4-WPM

- To connect the modules for wall mounting
- In combination with a port plate MS-AG... for mounting an individual unit on a wall
- Speedy attachment and detachment
- For installation of modules with regulating knob pointing downwards

The distance piece D or 2D (designated in the type code) is included in the scope of delivery and ensures the correct clearance

Material:  
Die-cast aluminum



Dimensions and Ordering Data												
B1	B2	B3	B4	B5	L1	L2	L3	L4	Clearance	Weight [lb]	Part No.	Type
2.17	1.57	0.16	1.73	3.28	3.65	1.37	0.22	1.78	1.57	0.09	526060	MS4-WPM-D
3.75	3.15			4.86					3.15	0.11	526061	MS4-WPM-2D

## Body connector MS4-MVM

- For installation of modules with regulating knob pointing downwards

Material:  
Die-cast aluminum







Ordering Data		
Size	Part No.	Type
MS4	532800	MS4-MVM


## Filter Regulators MS4N-LFR – Inch Series


Accessories

FESTO

11 Ordering Data – Plug Socket with Cable SIM-M8			Technical data → <a href="http://www.festo.com/catalog/sim-m8">www.festo.com/catalog/sim-m8</a>	
	Electrical connection	Cable length [ft]	Part No.	Type
				M8x1, 3-pin
		16.4	159421	SIM-M8-3GD-5-PU
		32.8	192964	SIM-M8-3GD-10-PU
	M8x1, 3-pin	8.2	159422	SIM-M8-3WD-2,5-PU
		16.4	159423	SIM-M8-3WD-5-PU
		32.8	192965	SIM-M8-3WD-10-PU

11 Ordering Data – Plug Socket with Cable SIM-M12			Technical data → <a href="http://www.festo.com/catalog/sim-m12">www.festo.com/catalog/sim-m12</a>	
	Electrical connection	Cable length [ft]	Part No.	Type
				M12x1, 4-pin
	M12x1, 4-pin	16.4	164258	SIM-M12-4WD-5-PU

10 Ordering Data – Pressure Gauge MA				Technical data → <a href="http://www.festo.com/catalog/ma">www.festo.com/catalog/ma</a>		
	Nominal size	Pneumatic connection	Indicating range		Part No.	Type
			[bar]	[psi]		
	Pressure gauge MA, DIN EN 837-1					
	1.57	1/4 NPT	0 ... 16	0 ... 232	183908	MA-40-16-N1/4-EN
	Pressure gauge MA, DIN EN 837-1, with red-green range					
	1.57	1/8 NPT	–	0 ... 232	530388	MA-40-232-N1/8-PSI-E-RG
	1.97	1/4 NPT	–	0 ... 232	530391	MA-50-232-N1/4-PSI-E-RG

13 Ordering Data – Padlock LRVS-D			
	Description	Weight [lb]	Part No. Type
	for regulators, filter/regulators and manual on-off valves	0.24	193786 LRVS-D

# Filter Regulators MS4N-LFR – Inch Series



Replacement Parts

Ordering Data – Wearing Parts Kits			
Size	Description	Part No.	Type
MS4	Snap-ring, membrane, bellows, O-rings, screws, stem	673647	MS4-LFR



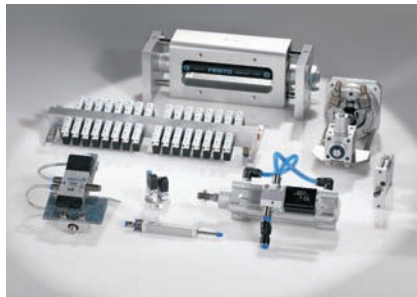
Ordering Data – Filter Cartridges			
Size	Filtration grade [µm]	Part No.	Type
MS4	5	534501	MS4-LFP-C
	40	534502	MS4-LFP-E

- For spare parts go to: [www.festo.com/en/spare\\_parts\\_service](http://www.festo.com/en/spare_parts_service)

# Product Range and Company Overview

## A Complete Suite of Automation Services

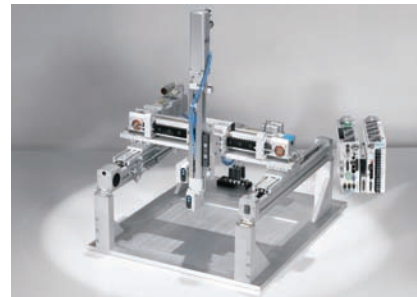
Our experienced engineers provide complete support at every stage of your development process, including: conceptualization, analysis, engineering, design, assembly, documentation, validation, and production.



**Custom Automation Components**  
Complete custom engineered solutions



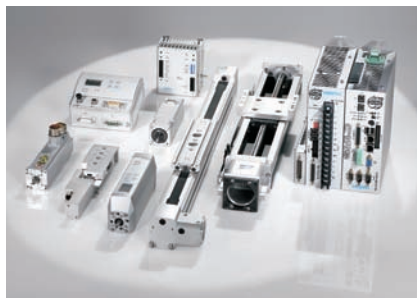
**Custom Control Cabinets**  
Comprehensive engineering support and on-site services



**Complete Systems**  
Shipment, stocking and storage services

## The Broadest Range of Automation Components

With a comprehensive line of more than 30,000 automation components, Festo is capable of solving the most complex automation requirements.



**Electromechanical**  
Electromechanical actuators, motors, controllers & drives



**Pneumatics**  
Pneumatic linear and rotary actuators, valves, and air supply



**PLCs and I/O Devices**  
PLC's, operator interfaces, sensors and I/O devices

## Supporting Advanced Automation... As No One Else Can!

Festo is a leading global manufacturer of pneumatic and electromechanical systems, components and controls for industrial automation, with more than 11,500 employees in 56 national headquarters serving more than 180 countries. For more than 80 years, Festo has continuously elevated the state of manufacturing with innovations and optimized motion control solutions that deliver higher performing, more profitable automated manufacturing and processing equipment. Our dedication to the advancement of automation extends beyond technology to the education and development of current and future automation and robotics designers with simulation tools, teaching programs, and on-site services.

## Quality Assurance, ISO 9001 Certification

Festo Corporation is committed to provide Festo products and services that will meet or exceed our customers' requirements in product quality, delivery, customer service and satisfaction.

All Festo locations within the United States are registered to ISO 9001.



# Festo North America

## United States

### Customer Resource Center

502 Earth City Expy., Suite 125  
Earth City, MO 63045

For ordering assistance, or to find  
your nearest Festo Distributor,

**Call:** 1.800.99.FESTO

**Fax:** 1.800.96.FESTO

**Email:** [customer.service@us.festo.com](mailto:customer.service@us.festo.com)

For technical support,

**Call:** 1.866.GO.FESTO

**Fax:** 1.800.96.FESTO

**Email:** [product.support@us.festo.com](mailto:product.support@us.festo.com)

### Headquarters

Festo Corporation  
395 Moreland Road  
P.O. Box 18023  
Hauppauge, NY 11788  
[www.festo.com/us](http://www.festo.com/us)

---

### Sales Offices

#### Appleton

N. 922 Tower View Drive, Suite N  
Greenville, WI 54942

#### Boston

120 Presidential Way, Suite 330  
Woburn, MA 01801

#### Chicago

1441 East Business Center Drive  
Mt. Prospect, IL 60056

#### Dallas

1825 Lakeway Drive, Suite 600  
Lewisville, TX 75057

#### Detroit - Automotive Engineering Center

2601 Cambridge Court, Suite 320  
Auburn Hills, MI 48326

#### New York

395 Moreland Road  
Hauppauge, NY 11788

#### Silicon Valley

2800 Collier Canyon Road  
Livermore, CA 94550

## Design and Manufacturing Operations



**East:** 395 Moreland Road, Hauppauge, NY 11788



**Central:** 1441 East Business Center Drive, Mt. Prospect, IL 60056



**West:** 2800 Collier Canyon Road, Livermore, CA 94550

---

## Mexico

### Headquarters

Festo Pneumatic, S.A.  
Av. Ceylán 3, Col. Tequesquahuac  
54020 Tlalnepantla, Edo. de México  
Call: 011 52 [55] 53 21 66 00  
Fax: 011 52 [55] 53 21 66 65  
Email: [festo.mexico@mx.festo.com](mailto:festo.mexico@mx.festo.com)  
[www.festo.com/mx](http://www.festo.com/mx)



---

## Canada

### Headquarters

Festo Inc.  
5300 Explorer Drive  
Mississauga, Ontario L4W 5G4  
Call: 1.905.624.9000  
Fax: 1.905.624.9001  
Email: [info.ca@ca.festo.com](mailto:info.ca@ca.festo.com)  
[www.festo.com/ca](http://www.festo.com/ca)



---

## Festo Worldwide

Argentina Australia Austria Belarus Belgium Brazil Bulgaria Canada Chile China Colombia Croatia Czech Republic Denmark  
Estonia Finland France Germany Great Britain Greece Hong Kong Hungary India Indonesia Iran Ireland Israel Italy Japan  
Latvia Lithuania Malaysia Mexico Netherlands New Zealand Norway Peru Philippines Poland Romania Russia Serbia Singapore  
Slovakia Slovenia South Africa South Korea Spain Sweden Switzerland Taiwan Thailand Turkey Ukraine United States Venezuela

[www.festo.com](http://www.festo.com)