

## Filter Regulators MS12-LFR – Metric Series



A filter regulator combines a filter and a pressure regulator into a single unit. The sintered filter with water separator removes contamination, pipe sinter, rust and condensate from the compressed air. The pressure setting can be adjusted with the regulator.

- Pneumatic connection: G1, G1¼, G1½, G2
- Filtration grade: 5 µm, 40 µm
- Supply pressure
  - for manual drain: 0.8 ... 20 bar
  - for fully automatic drain: 2 ... 12 bar
  - for fully automatic drain, electrically actuated: 0.8 ... 16 bar
- Controlled pressure range: 0.3 ... 16 bar
- Flow rate: 11,000 ... 17,000 l/min

Product Range Overview																			
Type	Pneumatic connections		Pressure regulation range [bar]			Filtration grade [µm]		Bowl guard	Bowl drain						Pressure indicator	Pressure adjustment		Reverse flow	
	Body thread	Port plate	0.3 ... 7	0.5 ... 12	0.5... 16	5	40		Manual	Fully automatic	Electrical 24 V DC M12	Electrical 110 V AC with terminals	Electrical 230 V AC with terminals	Electrical 24 V DC with terminals		Cover plate (without pressure gauge)	Adapter for pressure gauge G1/4		Rotary knob, lockable
MS12		AG...	D6	D7	D8	C	E	U	M	V	E1	E2	E3	E4	VS	A4	AS	LD	Z
LFR	-	G1, G1¼, G1½, G2	■	■	■	■	■	■	■	■	■	■	■	■	■	■	■	■	■

### Features

- Good control characteristics with low hysteresis and primary pressure compensation
- High flow rates
- Pilot actuated diaphragm regulator without intrinsic air consumption
- Three pressure regulation ranges
- Pressure gauge connection for different fitting options
- Setting values are secured by locking the rotary knob
- Rotary knob can be locked using accessories

### Contents

Technical Data	➔ 1048
Dimensional Drawings	➔ 1051
Ordering Data	➔ 1053
Accessories	➔ 1056
Replacement Parts	➔ 1059

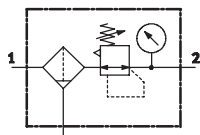
➔ [www.festo.com/catalog/ms12-lfr](http://www.festo.com/catalog/ms12-lfr)

# Filter Regulators MS12-LFR – Metric Series

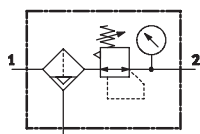
Technical Data

FESTO

ISO Symbol



Manual bowl drain



Fully automatic bowl drain



General Technical Data		G1	G1¼	G1½	G2
Pneumatic connection 1, 2 <sup>1)</sup>		G1	G1¼	G1½	G2
Filtration grade	[µm]	5 (air purity class at the output 3.7.- to DIN ISO 8573-1) 40 (air purity class at the output 5.7.- to DIN ISO 8573-1)			
Supply pressure	M [bar]	0.8 ... 20 (manual drain)			
	V [bar]	2 ... 12 (fully automatic drain)			
	E... [bar]	0.8 ... 16 (fully automatic drain, electrically actuated)			
Pressure regulation range	D6 [bar]	0.3 ... 7			
	D7 [bar]	0.5 ... 12			
	D8 [bar]	0.5 ... 16			
Max. hysteresis	[bar]	0.4			

1) Dependent on port plate selected, must be ordered separately as an accessory → 1057

Note: This product conforms with the ISO 1179-1 standard and the ISO 228-1 standard.

Standard Nominal Flow Rate q <sub>N</sub> <sup>1)</sup> [l/min]		G1	G1¼	G1½	G2
Filtration grade	5 µm	11,000	11,500	12,000	14,000
	40 µm	12,000	12,500	13,000	17,000

1) Dependent on port plate selected, must be ordered separately as an accessory → 1057  
measured at p<sub>1</sub> = 10 bar and p<sub>2</sub> = 6 bar, Δp = 0.5 bar

# Filter Regulators MS12-LFR – Metric Series

Technical Data

Operating and Environmental Conditions			
Bowl drain	Manual M	Fully automatic V	Fully automatic, electrically actuated E...
Operating medium	Compressed air, air quality class 5.7.– to DIN ISO 8573-1		
Max. condensate volume [cm <sup>3</sup> ]	400		
Bowl guard	Metal bowl		
Ambient temperature [°C]	-10 ... +60	+5 ... +60	+1 ... +60
Temperature of medium [°C]	-10 ... +60	+5 ... +60	+1 ... +60
Storage temperature [°C]	-10 ... +60	-10 ... +60	+1 ... +60
Assembly position	Vertical ±5°		
Corrosion resistance CRC <sup>1)</sup>	2		

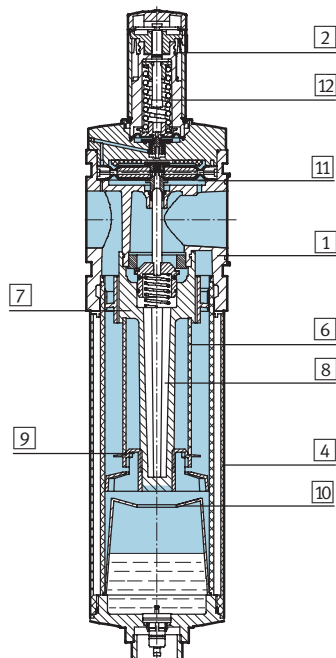
1) Corrosion resistance class 2 according to Festo standard 940 070  
Components requiring moderate corrosion resistance. Externally visible parts with primarily decorative surface requirements which are in direct contact with a normal industrial environment or media such as coolants or lubricating agents.

Weights [g]	
With metal bowl	7,000
With metal bowl and fully automatic, electrically actuated bowl drain	7,700

- Wearing parts kits → 1059
- Filter cartridges → 1059
- For spare parts go to: [www.festo.com/en/spare\\_parts\\_service](http://www.festo.com/en/spare_parts_service)

## Materials

Sectional view



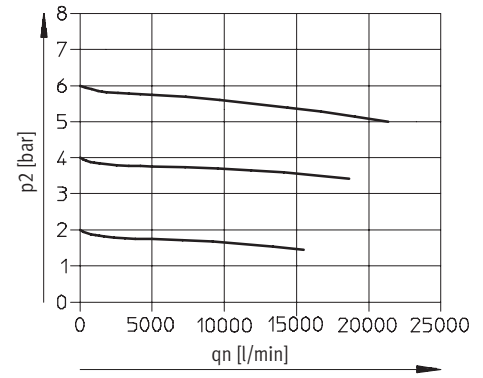
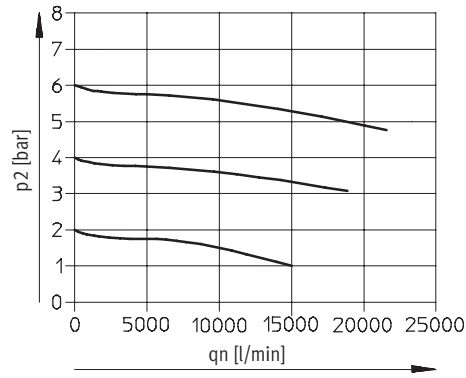
Filter regulator		
1	Body	Die-cast aluminum
2	Regulating knob	Polyamide
4	Metal bowl	Wrought aluminum alloy
6	Filter element	Sintered bronze
7	Spin disk	Polyacetate
8	Filter holder	Polyacetate
9	Separating plate	Polyacetate
10	Stabilizing disk	Polyacetate
11	Diaphragm	Nitrile rubber
12	Spring	Steel
-	Seals	Nitrile rubber

# Filter Regulators MS12-LFR – Metric Series

Technical Data

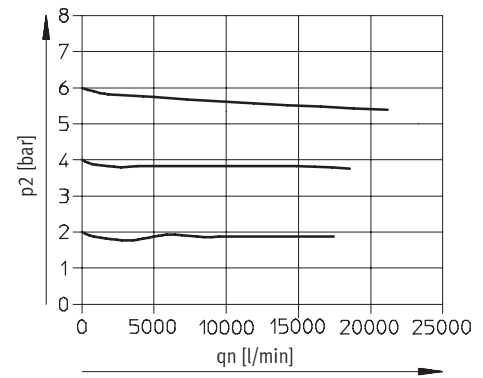
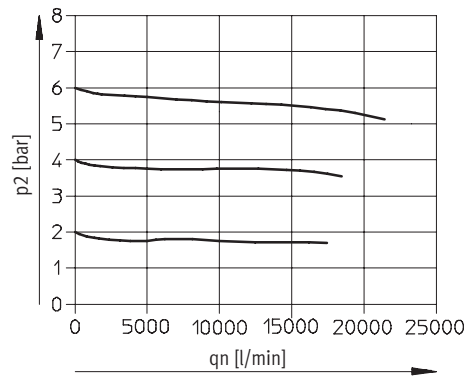
**Standard Flow Rate  $q_n$  as a Function of Output Pressure  $p_2$**   
 Filtration grade 40  $\mu\text{m}$       With port plate MS12-AGF      With port plate MS12-AGG  
 Pneumatic connection G1      Pneumatic connection G1¼

Primary pressure  $p_1 = 10$  bar



With port plate MS12-AGH      With port plate MS12-AGI  
 Pneumatic connection G1½      Pneumatic connection G2

Primary pressure  $p_1 = 10$  bar

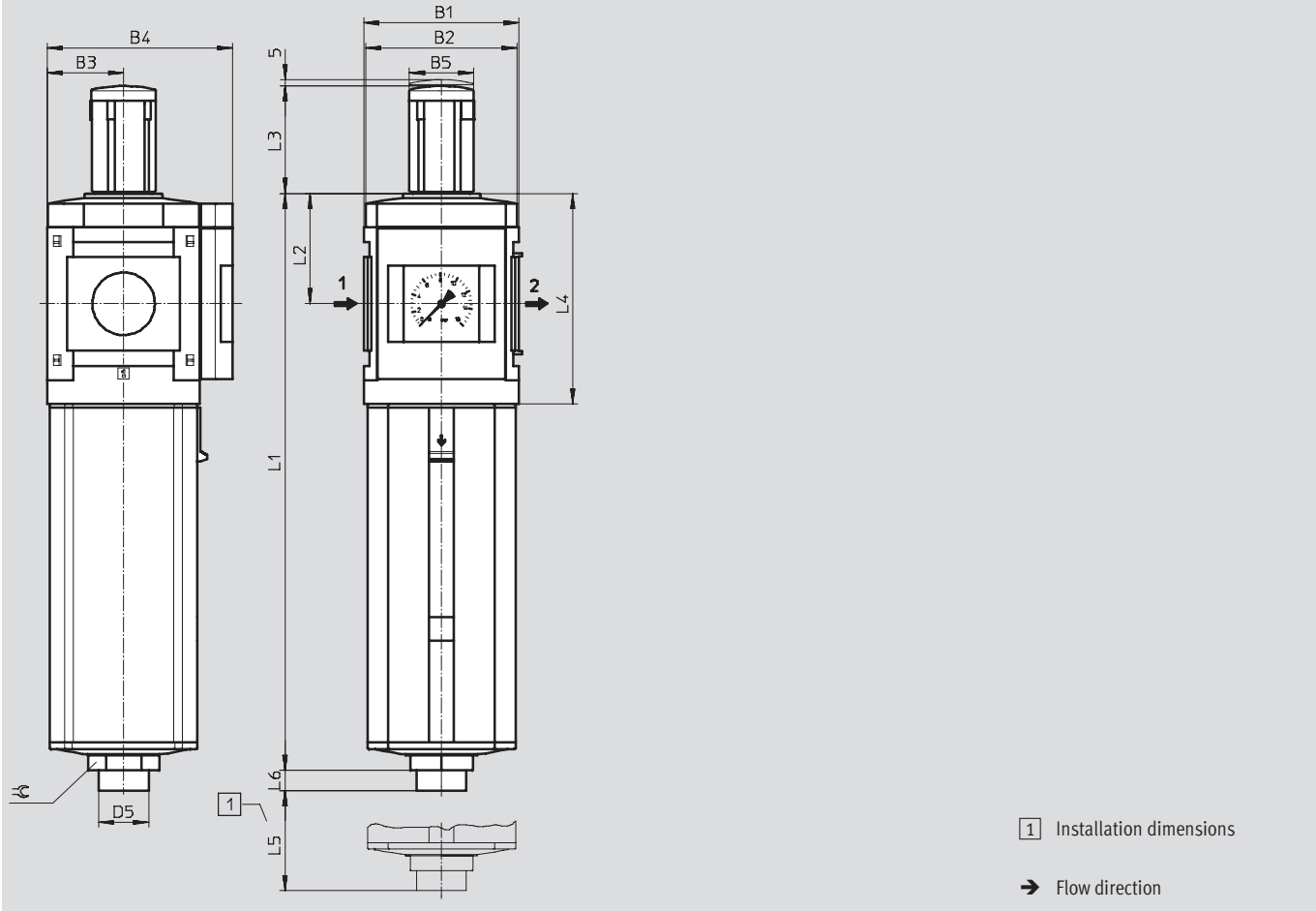


# Filter Regulators MS12-LFR – Metric Series

Dimensional Drawings

Dimensions<sup>1)</sup> – Standard Download CAD Data → [www.festo.com/us/cad](http://www.festo.com/us/cad)

With pressure gauge, display unit [bar], long rotary knob



B1	B2	B3	B4	B5	D5 Ø	L1	L2	L3	L4	L5	L6	≈
124	122	61	148	51	40	460	88	86	168	250	16	50

1) Dimensions are in millimeters, unless otherwise noted.

Note: This product conforms with the ISO 1179-1 standard and the ISO 228-1 standard.

# Filter Regulators MS12-LFR – Metric Series

Dimensional Drawings

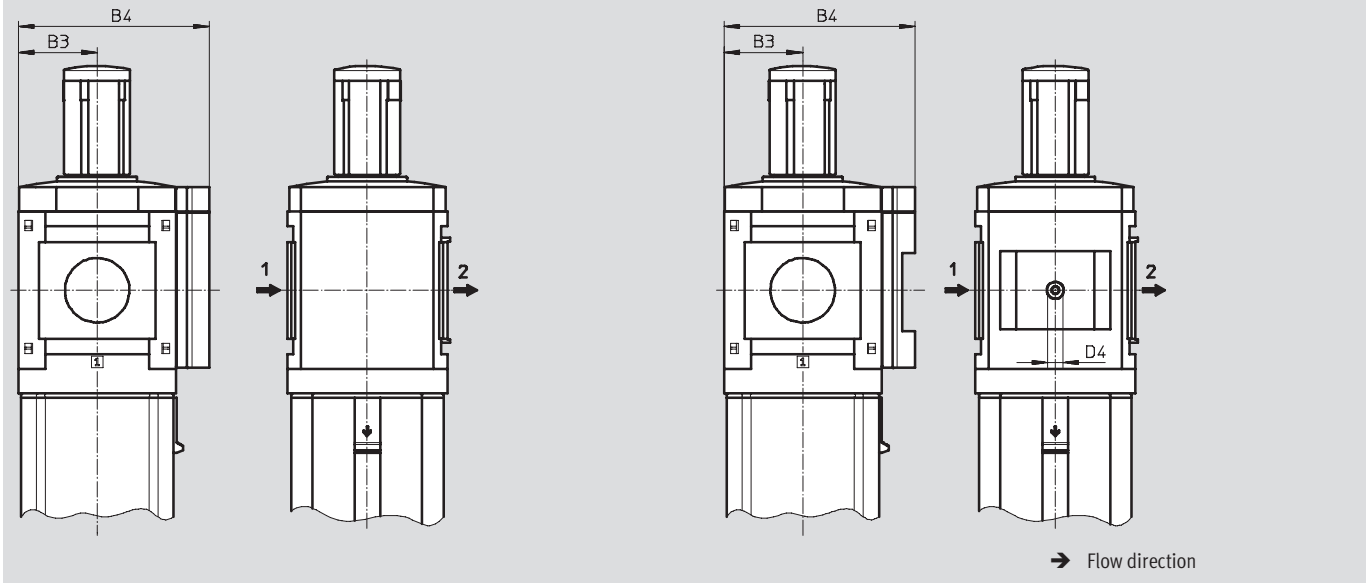


## Dimensions<sup>1)</sup> – Pressure Gauge Alternatives

Download CAD Data → [www.festo.com/us/cad](http://www.festo.com/us/cad)

Cover plate VS

Adapter A4 for EN pressure gauge 1/4, without pressure gauge



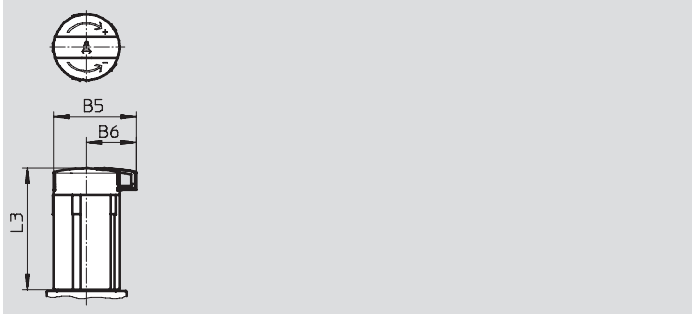
Type	B3	B4	D4
MS12-LFR-...-VS	61	148	–
MS12-LFR-...-A4	61	148	G <sup>1</sup> / <sub>4</sub>

1) Dimensions are in millimeters, unless otherwise noted.

Note: This product conforms with the ISO 1179-1 standard and the ISO 228-1 standard.

## Dimensions<sup>1)</sup> – Rotary Knob

Long, lockable LD-AS



Type	B5	B6	L3
MS12-LFR-...-LD-AS	64.4	39	95.5

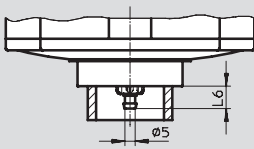
1) Dimensions are in millimeters, unless otherwise noted.

# Filter Regulators MS12-LFR – Metric Series

Dimensional Drawings, Ordering Data – Pre-configured Products

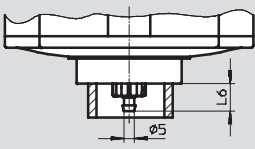
**Dimensions<sup>1)</sup> – Bowl Drain** Download CAD Data → [www.festo.com/us/cad](http://www.festo.com/us/cad)

**Manual M**



Barbed fitting for plastic tubing  
PCN-4

**Fully automatic V**

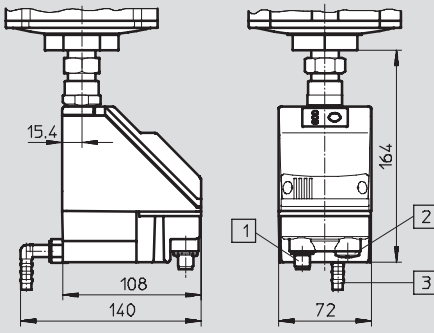


Barbed fitting for plastic tubing  
PCN-4

Type	L6
MS12-LFR-...-M	11

Type	L6
MS12-LFR-...-V	13

**Fully automatic, electrically actuated E1 ... E4** Technical data PWEA → [www.festo.com/catalog/pwea](http://www.festo.com/catalog/pwea)



- 1 Variant E1  
PWEA-AP-... with M12x1 plug,  
5-pin for SIM-M12-5GD-...
- 2 Variant E2/E3/E4  
PWEA-AC-... with cable conduit  
fitting Pg9
- 3 Connection 360° rotatable for  
plastic tubing PUN-H-12x2-...

1) Dimensions are in millimeters, unless otherwise noted.

Ordering Data							
Pressure regulation range 0.5 ... 12 bar, metal bowl, long rotary knob, can be locked using accessories							
Bowl drain	Connection	Filtration grade 5 µm			Filtration grade 40 µm		
		Part No.	Type	LT	Part No.	Type	LT
Fully automatic	G1 ... G2 <sup>2)</sup>	537150	MS12-LFR-G-D7-CUV-LD-AS	1D	537149	MS12-LFR-G-D7-EUV-LD-AS	1D

LT = Lead time      1D typically ships same day/next day      1W typically ships within 1 week      Q request a quote for lead time

2) Port plate must be ordered separately as an accessory → 1057

# Filter Regulators MS12-LFR – Metric Series

Ordering Data – Configurable Products



**M** Mandatory Data →

Part No.	Series	Size	Function	Connection size	Pressure regulation range	Filtration grade	Bowl
535022	MS	12	LFR	AGF AGG AGH AGI G	D6 D7 D8	E C	U
<b>Order example</b>							
<b>535022</b>	<b>MS</b>	<b>12</b>	<b>- LFR</b>	<b>- AGF</b>	<b>- D6</b>	<b>- C</b>	<b>- U</b>

**Ordering Table**

Grid dimension	[mm]	124	Conditions	Code	Enter code
<b>M</b>	Part No.	<b>535022</b>			
	Series	Standard		<b>MS</b>	MS
	Size	12		<b>12</b>	12
	Function	Filter regulator		<b>-LFR</b>	-LFR
	Connection size	Port plate G1 (dimensions → 1057)		<b>-AGF</b>	
		Port plate G1¼ (dimensions → 1057)		<b>-AGG</b>	
		Port plate G1½ (dimensions → 1057)		<b>-AGH</b>	
		Port plate G2 (dimensions → 1057)		<b>-AGI</b>	
		Module without connecting thread, without port plate		<b>-G</b>	
	Pressure regulation range	0.3 ... 7 bar		<b>-D6</b>	
		0.5 ... 12 bar		<b>-D7</b>	
		0.5 ... 16 bar		<b>-D8</b>	
	Filtration grade	40 µm		<b>-E</b>	
		5 µm		<b>-C</b>	
<b>↓</b>	Bowl	Metal bowl		<b>-U</b>	-U

Transfer order code

<b>535022</b>	<b>MS</b>	<b>12</b>	<b>- LFR</b>				<b>- U</b>
---------------	-----------	-----------	--------------	--	--	--	------------



# Filter Regulators MS12-LFR – Metric Series



Ordering Data – Configurable Products

M		O Options				
<b>Bowl drain</b>	<b>Pressure gauge alternatives</b>	<b>Alternative pressure gauge scale</b>	<b>Rotary knob</b>	<b>Security</b>	<b>Type of mounting</b>	<b>Reverse flow direction</b>
M V E1 E2 E3 E4	VS A4	PSI MPA	LD	AS	WP	Z
- E1	-	-	- LD	- AS	- WP	- Z

Ordering Table		Grid dimension [mm]	124	Conditions	Code	Enter code
M	Bowl drain	Manual			-M	
		Fully automatic (P1 max. 12 bar)		1	-V	
		External fully automatic bowl drain, electrical, 24 V DC, M12			-E1	
		External fully automatic bowl drain, electrical, 110 V AC, terminals			-E2	
		External fully automatic bowl drain, electrical, 230 V AC, terminals			-E3	
		External fully automatic bowl drain, electrical, 24 V DC, terminals			-E4	
O	Pressure gauge alternatives	Cover plate			-VS	
		Adapter plate for EN pressure gauge 1/4, without pressure gauge			-A4	
	Alternative pressure gauge scale	psi		2	-PSI	
		MPa		2	-MPA	
	Rotary knob	Long rotary knob			-LD	-LD
	Security	Lockable rotary knob			-AS	
	Type of mounting	Mounting bracket (dimensions → 1058)		3	-WP	
	Reverse flow direction	Flow direction from right to left			-Z	

- 1 V Not with pressure regulation range D8
- 2 PSI, MPA Not with pressure gauge alternatives VS, A4
- 3 WP Only with port plate AGF, AGG, AGH or AGI

Transfer order code

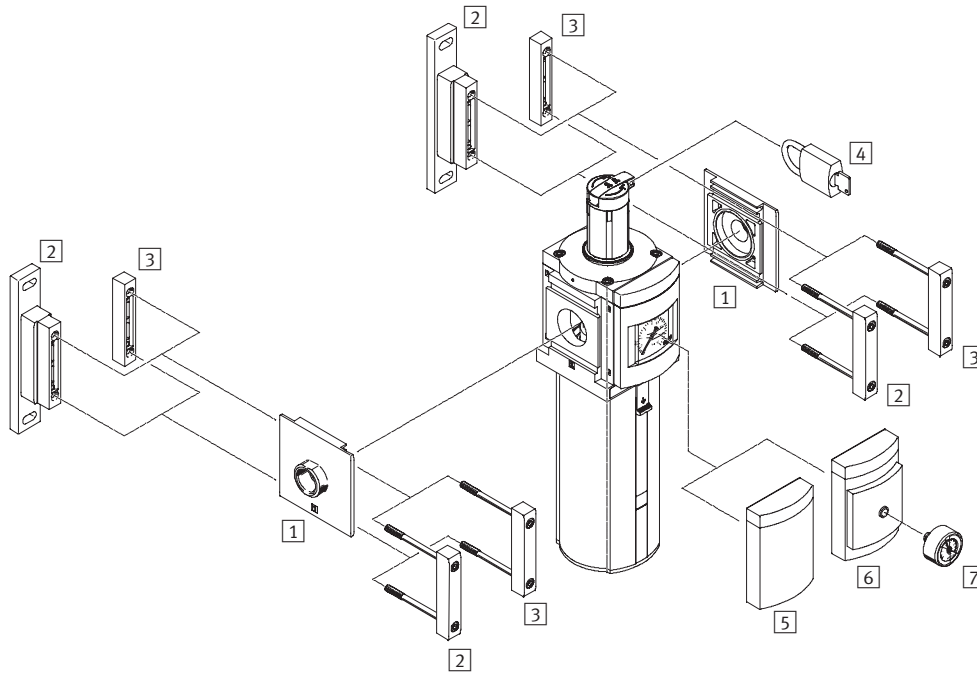
- [ ] - [ ] - [ ] - LD - [ ] - [ ] - [ ] - [ ]

# Filter Regulators MS12-LFR – Metric Series

Accessories Overview



## Mounting Attachments and Accessories



## Mounting Attachments and Accessories

		→ Page
1	Port plate MS12-AG...	1057
2	Mounting bracket MS12-WP	1058
3	Body connector MS12-MV	1057
4	Padlock LRVS-D	1058
5	Cover plate VS	1054
6	Adapter for EN pressure gauge 1/4 A4	1054
7	Pressure gauge MA	1058

# Filter Regulators MS12-LFR – Metric Series



Accessories

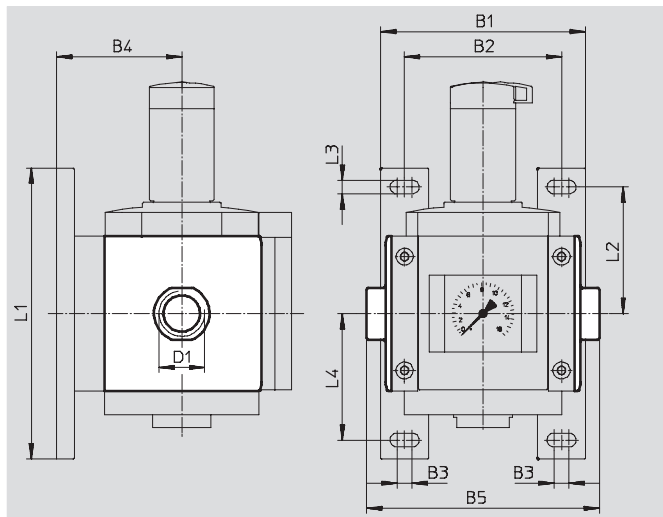
## 1 Port plate MS12-AG...

- Adapter for pneumatic connection

Material:

Die-cast aluminum

Free of copper and PTFE



Dimensions and Ordering Data												
B1	B2	B3	B4	B5	D1	L1	L2	L3	L4	Weight [g]	Part No.	Type
162	124	12	99	184	G1	230	100	11	100	1,300	537135	MS12-AGF
				184	G1¼						537136	MS12-AGG
				184	G1½						537137	MS12-AGH
				196	G2						537138	MS12-AGI

## 3 Body connector MS12-MV

- For connecting modules

Material:

Die-cast aluminum,

Free of copper and PTFE



Ordering Data			
Size	Weight [g]	Part No.	Type
MS12	500	537134	MS12-MV

# Filter Regulators MS12-LFR – Metric Series

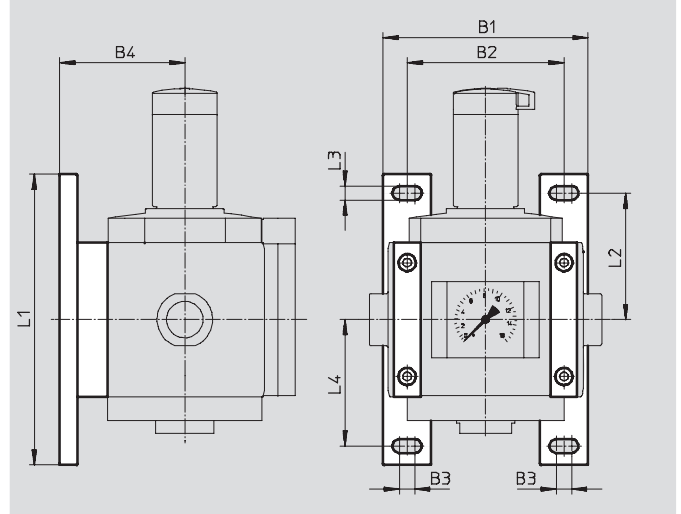


Accessories

## 2 Mounting bracket MS12-WP

- To connect the modules for wall mounting
- In combination with a port plate for mounting an individual unit on a wall

Material:  
Die-cast aluminum  
Free of copper and PTFE



### Dimensions and Ordering Data

Size	B1	B2	B3	B4	L1	L2	L3	L4	Weight [g]	Part No.	Type
MS12	162	124	12	99	230	100	11	100	700	537133	MS12-WP

### 7 Ordering Data – Pressure Gauge MA

Technical data → [www.festo.com/catalog/ma](http://www.festo.com/catalog/ma)

	Nominal size	Pneumatic connection	Indicating range		Part No.	Type
			[bar]	[psi]		
	Pressure gauge MA, DIN EN 837-1					
	40	G1/4	0 ... 16	0 ... 232	183901	MA-40-16-G1/4-EN
	50	R1/4	0 ... 16	–	525729	MA-50-16-R1/4-E-RG

### 4 Ordering Data – Padlock LRVS-D

	Description	Weight [g]	Part No.	Type
	for regulators, filter/regulators and manual on-off valves	120	193786	LRVS-D

# Filter Regulators MS12-LFR – Metric Series



Replacement Parts

Ordering Data – Wearing Parts Kits			
Size	Description	Part No.	Type
MS12	Snap-ring, membrane, bellows, O-rings, screws, stem	673586	MS12-LR/LFR

Ordering Data – Filter Cartridges			
Size	Filtration grade [µm]	Part No.	Type
MS12	5	537143	MS12-LFP-C
	40	537144	MS12-LFP-E

- For spare parts go to: [www.festo.com/en/spare\\_parts\\_service](http://www.festo.com/en/spare_parts_service)



# Filter Regulators MS12N-LFR – Inch Series



A filter regulator combines a filter and a pressure regulator into a single unit. The sintered filter with water separator removes contamination, pipe sinter, rust and condensate from the compressed air. The pressure setting can be adjusted with the regulator.

- Pneumatic connection: 1 NPT, 1¼ NPT, 1½ NPT, 2 NPT
- Filtration grade: 5 µm, 40 µm
- Supply pressure
  - for manual drain: 12 ... 294 psi
  - for fully automatic drain: 29 ... 176 psi
  - for fully automatic drain, electrically actuated: 12 ... 235 psi
- Controlled pressure range: 4.4 ... 235 psi
- Flow rate: 388.3 ... 600.1 scfm

Product Range Overview																			
Type	Pneumatic connections		Pressure regulation range [psi]			Filtration grade [µm]		Bowl guard	Bowl drain						Pressure indicator		Pressure adjustment		Reverse flow
	Body thread	Port plate	4.4 ... 59	7.4 ... 103	7.4 ... 235	5	40		Manual	Fully automatic	Electrical 24 V DC M12	Electrical 110 V AC with terminals	Electrical 230 V AC with terminals	Electrical 24 V DC with terminals	Cover plate (without pressure gauge)	Adapter for pressure gauge ¼ NPT	Rotary knob, lockable	Rotary knob, long	
MS12N	AG...	D6	D7	D8	C	E	U	M	V	E1	E2	E3	E4	VS	A4	AS	LD	Z	
LFR	-	1 NPT, 1¼ NPT, 1½ NPT, 2 NPT	■	■	■	■	■	■	■	■	■	■	■	■	■	■	■	■	

- |   |   |  |
|---|---|--|
| <ul style="list-style-type: none"> <li>• Good control characteristics with low hysteresis and primary pressure compensation</li> <li>• High flow rates</li> </ul> | <ul style="list-style-type: none"> <li>• Pilot actuated diaphragm regulator without intrinsic air consumption</li> <li>• Three pressure regulation ranges</li> <li>• Pressure gauge connection for different fitting options</li> </ul> | <ul style="list-style-type: none"> <li>• Setting values are secured by locking the rotary knob</li> <li>• Rotary knob can be locked using accessories</li> </ul> |
|---|---|--|

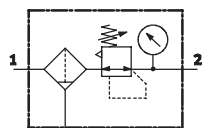
Contents	
Technical Data	➔ 1062
Dimensional Drawings	➔ 1065
Ordering Data	➔ 1067
Accessories	➔ 1070
Replacement Parts	➔ 1073
➔ <a href="http://www.festo.com/catalog/ms12n-lfr">www.festo.com/catalog/ms12n-lfr</a>	

# Filter Regulators MS12N-LFR – Inch Series

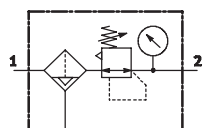
Technical Data

FESTO

ISO Symbol



Manual bowl drain



Fully automatic bowl drain



General Technical Data		1 NPT	1¼ NPT	1½ NPT	2 NPT
Pneumatic connection 1, 2 <sup>1)</sup>		1 NPT	1¼ NPT	1½ NPT	2 NPT
Filtration grade	[µm]	5 (air purity class at the output 3.7.- to DIN ISO 8573-1)			
		40 (air purity class at the output 5.7.- to DIN ISO 8573-1)			
Supply pressure	M [psi]	12 ... 294 (manual drain)			
	V [psi]	29 ... 176 (fully automatic drain)			
	E... [psi]	12 ... 235 (fully automatic drain, electrically actuated)			
Pressure regulation range	D6 [psi]	4.4 ... 103			
	D7 [psi]	7.4 ... 176			
	D8 [psi]	7.4 ... 235			
Max. hysteresis	[psi]	5.9			

1) Dependent on port plate selected, must be ordered separately as an accessory → 1071

Standard Nominal Flow Rate qnN <sup>1)</sup> [scfm]		1 NPT	1¼ NPT	1½ NPT	2 NPT
Filtration grade	5 µm	388.3	406.0	423.6	494.2
	40 µm	423.6	441.3	458.9	600.1

1) Dependent on port plate selected, must be ordered separately as an accessory → 1071  
measured at p1 = 147 psi and p2 = 88 psi, Δp = 7.4 psi



# Filter Regulators MS12N-LFR – Inch Series

Technical Data

FESTO

Operating and Environmental Conditions			
Bowl drain	Manual M	Fully automatic V	Fully automatic, electrically actuated E...
Operating medium	Compressed air, air quality class 5.7.– to DIN ISO 8573-1		
Max. condensate volume [in <sup>3</sup> ]	24.40		
Bowl guard	Metal bowl		
Ambient temperature [°F]	14 ... 140	41 ... 140	34 ... 140
Temperature of medium [°F]	14 ... 140	41 ... 140	34 ... 140
Storage temperature [°F]	14 ... 140	14 ... 140	34 ... 140
Assembly position	Vertical ±5°		
Corrosion resistance CRC <sup>1)</sup>	2		

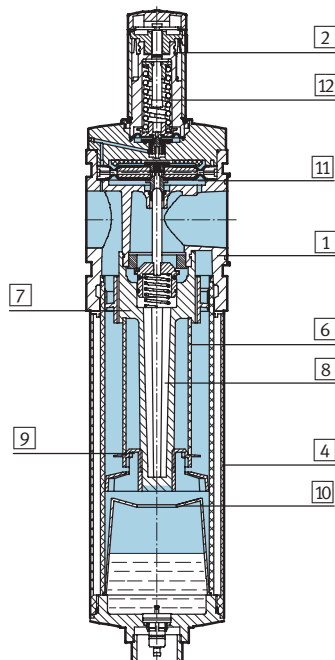
1) Corrosion resistance class 2 according to Festo standard 940 070  
Components requiring moderate corrosion resistance. Externally visible parts with primarily decorative surface requirements which are in direct contact with a normal industrial environment or media such as coolants or lubricating agents.

Weights [lb]	
With metal bowl	14.00
With metal bowl and fully automatic, electrically actuated bowl drain	15.40

- Wearing parts kits → 1073
- Filter cartridges → 1073
- For spare parts go to: [www.festo.com/en/spare\\_parts\\_service](http://www.festo.com/en/spare_parts_service)

## Materials

Sectional view



Filter regulator		
1	Body	Die-cast aluminum
2	Regulating knob	Polyamide
4	Metal bowl	Wrought aluminum alloy
6	Filter element	Sintered bronze
7	Spin disk	Polyacetate
8	Filter holder	Polyacetate
9	Separating plate	Polyacetate
10	Stabilizing disk	Polyacetate
11	Diaphragm	Nitrile rubber
12	Spring	Steel
-	Seals	Nitrile rubber

# Filter Regulators MS12N-LFR – Inch Series

Technical Data

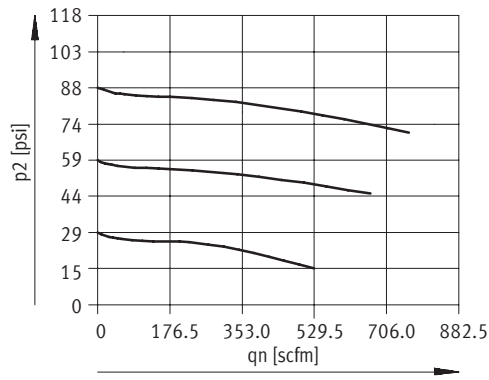


## Standard Flow Rate $q_n$ as a Function of Output Pressure $p_2$

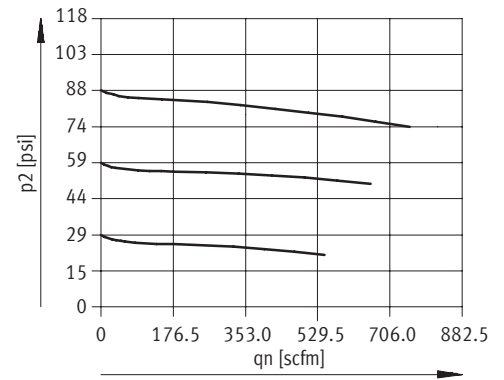
Filtration grade 40  $\mu\text{m}$

Primary pressure  $p_1 = 147$  psi

With port plate MS12-AGF  
Pneumatic connection 1 NPT

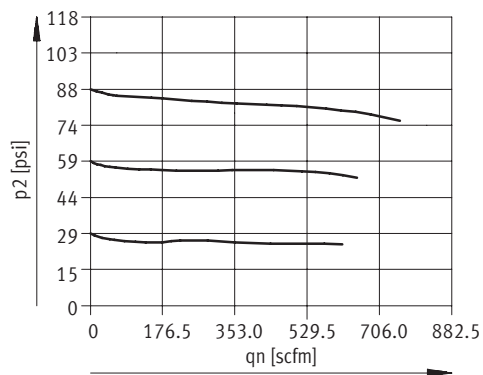


With port plate MS12-AGG  
Pneumatic connection 1 1/4 NPT

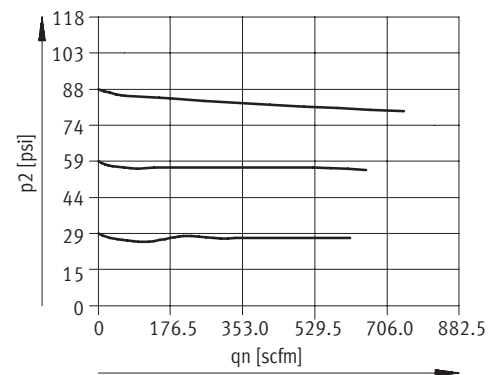


With port plate MS12-AGH  
Pneumatic connection 1 1/2 NPT

Primary pressure  $p_1 = 147$  psi



With port plate MS12-AGI  
Pneumatic connection 2 NPT



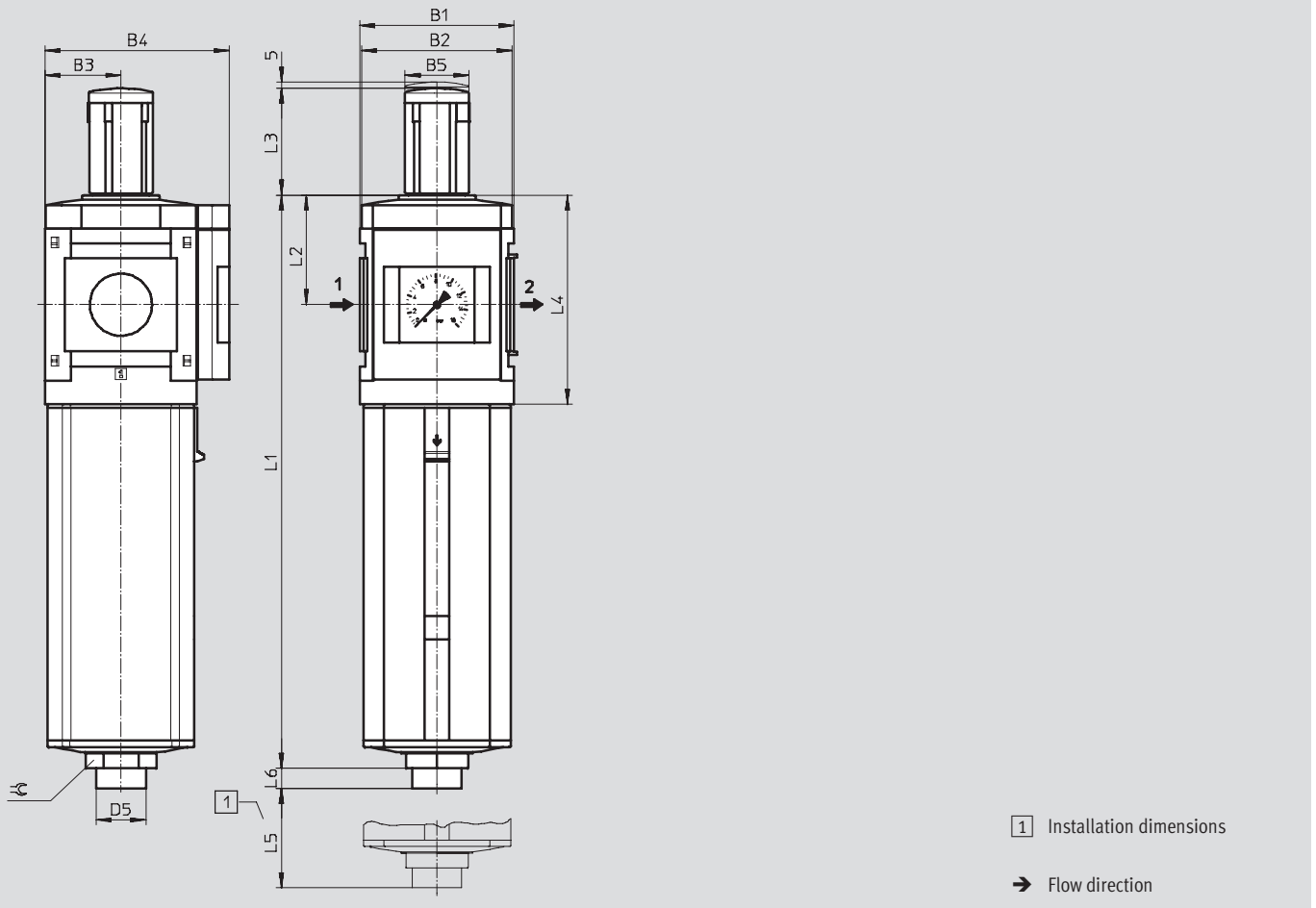
# Filter Regulators MS12N-LFR – Inch Series

Dimensional Drawings

**Dimensions<sup>1)</sup> – Standard**

Download CAD Data → [www.festo.com/us/cad](http://www.festo.com/us/cad)

With pressure gauge, display unit [psi], long rotary knob



B1	B2	B3	B4	B5	D5 Ø	L1	L2	L3	L4	L5	L6	≈
4.88	4.80	2.40	5.83	2.01	1.57	18.11	3.46	3.39	6.61	9.84	0.63	1.97

1) Dimensions are in inches, unless otherwise noted.

# Filter Regulators MS12N-LFR – Inch Series

Dimensional Drawings

**Dimensions<sup>1)</sup> – Pressure Gauge Alternatives** Download CAD Data → [www.festo.com/us/cad](http://www.festo.com/us/cad)

Cover plate VS Adapter A4 for EN pressure gauge 1/4, without pressure gauge

Type	B3	B4	D4
MS12-LFR-...-VS	2.40	5.83	–
MS12-LFR-...-A4	2.40	5.83	G <sup>1</sup> / <sub>4</sub>

1) Dimensions are in inches, unless otherwise noted.

**Dimensions<sup>1)</sup> – Rotary Knob**

Long, lockable LD-AS

Type	B5	B6	L3
MS12-LFR-...-LD-AS	2.54	1.54	3.76

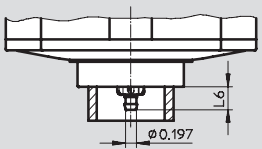
1) Dimensions are in inches, unless otherwise noted.

# Filter Regulators MS12N-LFR – Inch Series

Dimensional Drawings, Ordering Data – Pre-configured Products

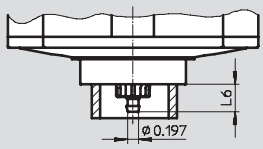
**Dimensions<sup>1)</sup> – Bowl Drain** Download CAD Data → [www.festo.com/us/cad](http://www.festo.com/us/cad)

**Manual M**



Barbed fitting for plastic tubing  
PCN-4

**Fully automatic V**

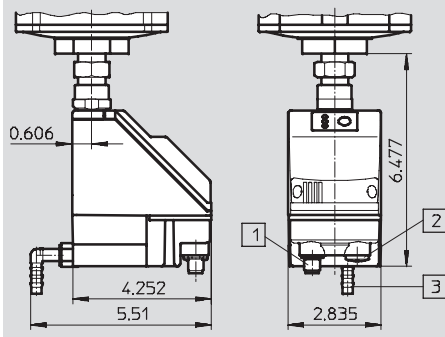


Barbed fitting for plastic tubing  
PCN-4

Type	L6
MS12-LFR-...-M	0.43

Type	L6
MS12-LFR-...-V	0.51

**Fully automatic, electrically actuated E1 ... E4** Technical data PWEA → [www.festo.com/catalog/pwea](http://www.festo.com/catalog/pwea)



- 1) Variant E1  
PWEA-AP-... with M12x1 plug,  
5-pin for SIM-M12-5GD-...
- 2) Variant E2/E3/E4  
PWEA-AC-... with cable conduit  
fitting Pg9
- 3) Connection 360° rotatable for  
plastic tubing PUN-H-12x2-...

1) Dimensions are in inches, unless otherwise noted.

Ordering Data							
Pressure regulation range 7.4 ... 176 psi, metal bowl, long rotary knob, can be locked using accessories							
Bowl drain	Connection	Filtration grade 5 µm			Filtration grade 40 µm		
		Part No.	Type	LT	Part No.	Type	LT
Fully automatic	1 NPT ... 2 NPT <sup>2)</sup>	537150	MS12-LFR-G-D7-CUV-LD-AS	1D	537149	MS12-LFR-G-D7-EUV-LD-AS	1D

LT = Lead time      1D typically ships same day/next day      1W typically ships within 1 week      Q request a quote for lead time

2) Port plate must be ordered separately as an accessory → 1071

# Filter Regulators MS12N-LFR – Inch Series



Ordering Data – Configurable Products

**M** Mandatory Data →

Part No.	Series	Size	Thread	Function	Connection size	Pressure regulation range	Filtration grade	Bowl
535025	MS	12	N	LFR	AQT AQU AQV AQW G	D6 D7 D8	E C	U
<b>Order example</b>								
<b>535025</b>	<b>MS</b>	<b>12</b>	<b>N</b>	<b>- LFR</b>	<b>- AQT</b>	<b>- D6</b>	<b>- C</b>	<b>- U</b>

**Ordering Table**

Grid dimension	[mm]	124	Conditions	Code	Enter code
<b>M</b> Part No.	<b>535025</b>				
Series	Standard			<b>MS</b>	MS
Size	12			<b>12</b>	12
Thread	NPT thread			<b>N</b>	N
Function	Filter regulator			<b>-LFR</b>	-LFR
Connection size	Port plate 1 NPT (dimensions → 1071)			<b>-AQT</b>	
	Port plate 1¼ NPT (dimensions → 1071)			<b>-AQU</b>	
	Port plate 1½ NPT (dimensions → 1071)			<b>-AQV</b>	
	Port plate 2 NPT (dimensions → 1071)			<b>-AQW</b>	
	Module without connecting thread, without port plate			<b>-G</b>	
Pressure regulation range	4.4 ... 103 psi			<b>-D6</b>	
	7.4 ... 176 psi			<b>-D7</b>	
	7.4 ... 235 psi			<b>-D8</b>	
Filtration grade	40 µm			<b>-E</b>	
	5 µm			<b>-C</b>	
↓ Bowl	Metal bowl			<b>-U</b>	-U

Transfer order code

<b>535025</b>	<b>MS</b>	<b>12</b>	<b>N</b>	<b>- LFR</b>	<b>-</b>	<b>-</b>	<b>-</b>	<b>-</b>	<b>- U</b>
---------------	-----------	-----------	----------	--------------	----------	----------	----------	----------	------------

# Filter Regulators MS12N-LFR – Inch Series

Ordering Data – Configurable Products

Options						
<b>Bowl drain</b>	<b>Pressure gauge alternatives</b>	<b>Alternative pressure gauge scale</b>	<b>Rotary knob</b>	<b>Security</b>	<b>Type of mounting</b>	<b>Reverse flow direction</b>
M V E1 E2 E3 E4	VS A4	BAR MPA	LD	AS	WP	Z
- E1	-	-	- LD	- AS	- WP	- Z

Ordering Table		Grid dimension [mm]	124	Conditions	Code	Enter code
M	Bowl drain	Manual			-M	
		Fully automatic (P1 max. 176 psi)		1	-V	
		External fully automatic bowl drain, electrical, 24 V DC, M12			-E1	
		External fully automatic bowl drain, electrical, 110 V AC, terminals			-E2	
		External fully automatic bowl drain, electrical, 230 V AC, terminals			-E3	
		External fully automatic bowl drain, electrical, 24 V DC, terminals			-E4	
O	Pressure gauge alternatives	Cover plate			-VS	
		Adapter plate for EN pressure gauge 1/4, without pressure gauge			-A4	
	Alternative pressure gauge scale	bar		2	-BAR	
		MPa		2	-MPA	
	Rotary knob	Long rotary knob			-LD	-LD
	Security	Lockable rotary knob			-AS	
	Type of mounting	Mounting bracket (dimensions → 1072)		3	-WP	
	Reverse flow direction	Flow direction from right to left			-Z	

- 1 V Not with pressure regulation range D8
- 2 BAR, MPA Not with pressure gauge alternatives VS, A4
- 3 WP Only with port plate AQT, AQU, Aqv or AqW

Transfer order code

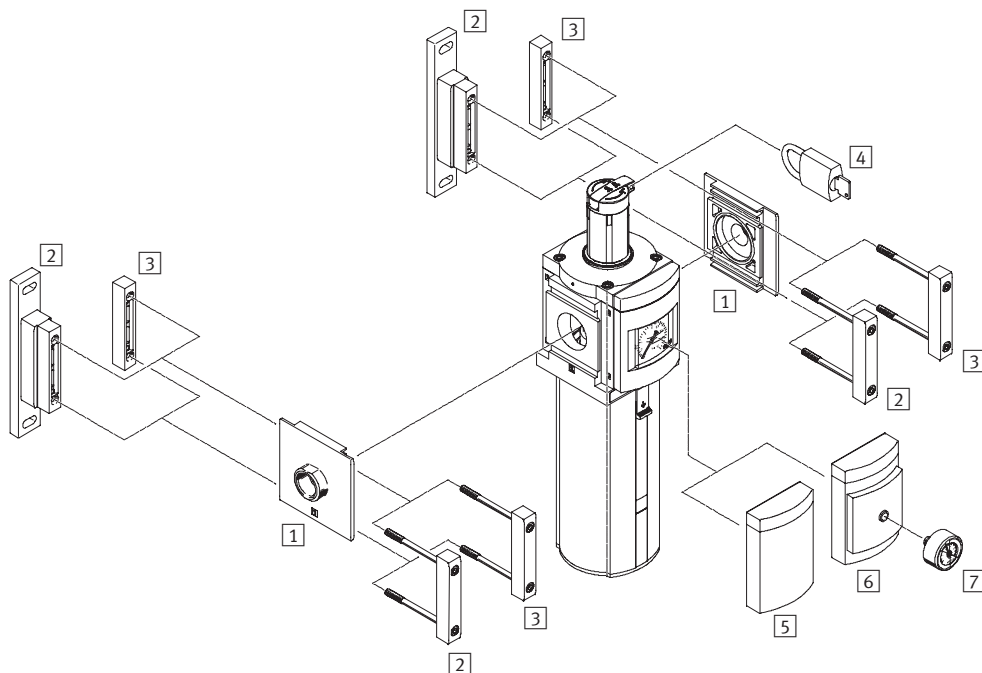
- [ ] - [ ] - [ ] - LD - [ ] - [ ] - [ ]

# Filter Regulators MS12N-LFR – Inch Series

Accessories Overview



## Mounting Attachments and Accessories



Mounting Attachments and Accessories		→ Page
1	Port plate MS12-AQ...	1071
2	Mounting bracket MS12-WP	1072
3	Body connector MS12-MV	1071
4	Padlock LRVS-D	1072
5	Cover plate VS	1068
6	Adapter for EN pressure gauge 1/4 A4	1068
7	Pressure gauge MA	1072



# Filter Regulators MS12N-LFR – Inch Series

Accessories

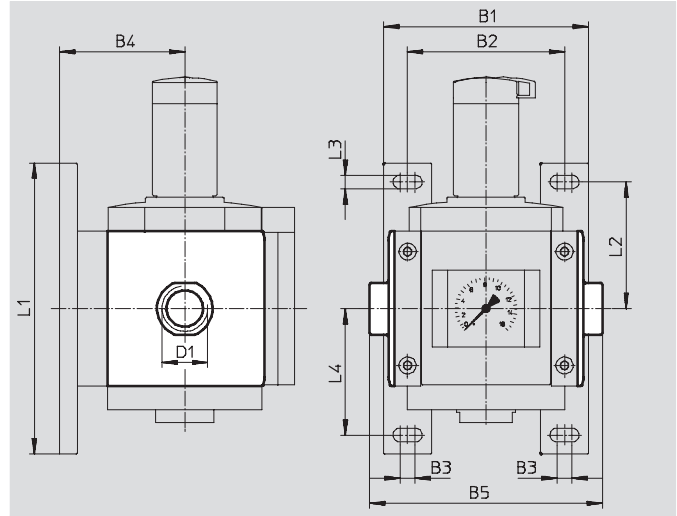
## 1 Port plate MS12-AQ...

- Adapter for pneumatic connection

Material:

Die-cast aluminum

Free of copper and PTFE



### Dimensions and Ordering Data

B1	B2	B3	B4	B5	D1	L1	L2	L3	L4	Weight [[lb]	Part No.	Type
6.38	4.88	0.47	3.90	7.24	1 NPT	9.06	3.94	0.43	3.94	2.60	537139	MS12-AQT
				7.24	1¼ NPT						537140	MS12-AQU
				7.24	1½ NPT						537141	MS12-AQV
				7.72	2 NPT						537142	MS12-AQW

## 3 Body connector MS12-MV

- For connecting modules

Material:

Die-cast aluminum,

Free of copper and PTFE



### Ordering Data

Size	Weight [[lb]	Part No.	Type
MS12	1.00	537134	MS12-MV

# Filter Regulators MS12N-LFR – Inch Series

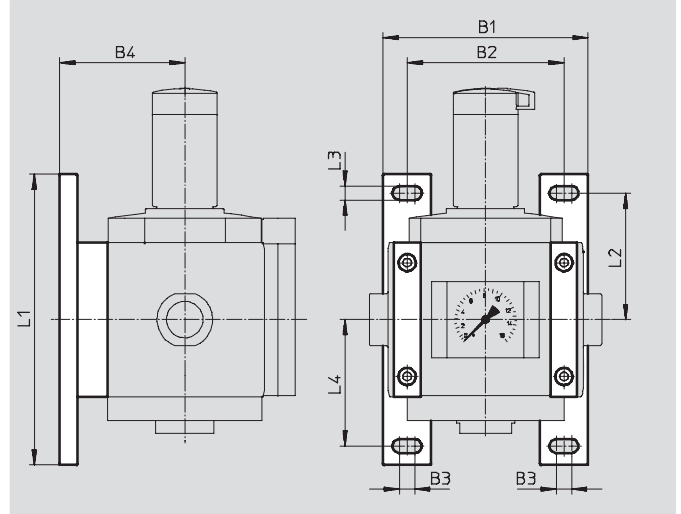


Accessories

## 2 Mounting bracket MS12-WP

- To connect the modules for wall mounting
- In combination with a port plate for mounting an individual unit on a wall

Material:  
Die-cast aluminum  
Free of copper and PTFE



### Dimensions and Ordering Data

Size	B1	B2	B3	B4	L1	L2	L3	L4	Weight [lb]	Part No.	Type
MS12	6.38	4.88	0.47	3.90	9.06	3.94	0.43	3.94	1.40	537133	MS12-WP

### 7 Ordering Data – Pressure Gauge MA

Technical data → [www.festo.com/catalog/ma](http://www.festo.com/catalog/ma)

	Nominal size	Pneumatic connection	Indicating range		Part No.	Type
			[bar]	[psi]		
	Pressure gauge MA, DIN EN 837-1					
	1.57	R $\frac{1}{4}$	0 ... 16	0 ... 232	187080	MA-40-16-R $\frac{1}{4}$ -EN
	Pressure gauge MA, DIN EN 837-1, with red-green range					
	1.97	R $\frac{1}{4}$	–	0 ... 232	526790	MA-50-232-R $\frac{1}{4}$ -PSI-E-RG

### 4 Ordering Data – Padlock LRVS-D

	Description	Weight [lb]	Part No.	Type
	for regulators, filter/regulators and manual on-off valves	0.24	193786	LRVS-D

# Filter Regulators MS12N-LFR – Inch Series



Replacement Parts

Ordering Data – Wearing Parts Kits			
Size	Description	Part No.	Type
MS12	Snap-ring, membrane, bellows, O-rings, screws, stem	673586	MS12-LR/LFR

Ordering Data – Filter Cartridges			
Size	Filtration grade [µm]	Part No.	Type
MS12	5	537143	MS12-LFP-C
	40	537144	MS12-LFP-E

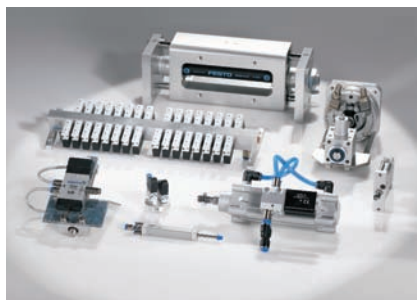
- For spare parts go to: [www.festo.com/en/spare\\_parts\\_service](http://www.festo.com/en/spare_parts_service)



## Product Range and Company Overview

### A Complete Suite of Automation Services

Our experienced engineers provide complete support at every stage of your development process, including: conceptualization, analysis, engineering, design, assembly, documentation, validation, and production.



#### Custom Automation Components

Complete custom engineered solutions



#### Custom Control Cabinets

Comprehensive engineering support and on-site services

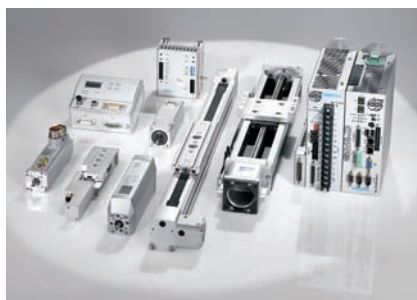


#### Complete Systems

Shipment, stocking and storage services

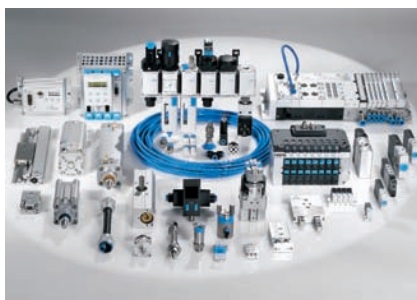
### The Broadest Range of Automation Components

With a comprehensive line of more than 30,000 automation components, Festo is capable of solving the most complex automation requirements.



#### Electromechanical

Electromechanical actuators, motors, controllers & drives



#### Pneumatics

Pneumatic linear and rotary actuators, valves, and air supply



#### PLCs and I/O Devices

PLC's, operator interfaces, sensors and I/O devices

### Supporting Advanced Automation... As No One Else Can!

Festo is a leading global manufacturer of pneumatic and electromechanical systems, components and controls for industrial automation, with more than 11,500 employees in 56 national headquarters serving more than 180 countries. For more than 80 years, Festo has continuously elevated the state of manufacturing with innovations and optimized motion control solutions that deliver higher performing, more profitable automated manufacturing and processing equipment. Our dedication to the advancement of automation extends beyond technology to the education and development of current and future automation and robotics designers with simulation tools, teaching programs, and on-site services.

### Quality Assurance, ISO 9001 Certification

Festo Corporation is committed to provide Festo products and services that will meet or exceed our customers' requirements in product quality, delivery, customer service and satisfaction.

All Festo locations within the United States are registered to ISO 9001.



# Festo North America

## United States

### Customer Resource Center

502 Earth City Expy., Suite 125  
Earth City, MO 63045

For ordering assistance, or to find  
your nearest Festo Distributor,

**Call:** 1.800.99.FESTO

**Fax:** 1.800.96.FESTO

**Email:** [customer.service@us.festo.com](mailto:customer.service@us.festo.com)

For technical support,

**Call:** 1.866.GO.FESTO

**Fax:** 1.800.96.FESTO

**Email:** [product.support@us.festo.com](mailto:product.support@us.festo.com)

### Headquarters

Festo Corporation  
395 Moreland Road  
P.O. Box 18023  
Hauppauge, NY 11788  
[www.festo.com/us](http://www.festo.com/us)

### Sales Offices

#### Appleton

N. 922 Tower View Drive, Suite N  
Greenville, WI 54942

#### Boston

120 Presidential Way, Suite 330  
Woburn, MA 01801

#### Chicago

1441 East Business Center Drive  
Mt. Prospect, IL 60056

#### Dallas

1825 Lakeway Drive, Suite 600  
Lewisville, TX 75057

#### Detroit - Automotive Engineering Center

2601 Cambridge Court, Suite 320  
Auburn Hills, MI 48326

#### New York

395 Moreland Road  
Hauppauge, NY 11788

#### Silicon Valley

2800 Collier Canyon Road  
Livermore, CA 94550

## Design and Manufacturing Operations



**East:** 395 Moreland Road, Hauppauge, NY 11788



**Central:** 1441 East Business Center Drive, Mt. Prospect, IL 60056



**West:** 2800 Collier Canyon Road, Livermore, CA 94550

## Mexico

### Headquarters

Festo Pneumatic, S.A.  
Av. Ceylán 3, Col. Tequesquahuac  
54020 Tlalnepantla, Edo. de México  
Call: 011 52 [55] 53 21 66 00  
Fax: 011 52 [55] 53 21 66 65  
Email: [festo.mexico@mx.festo.com](mailto:festo.mexico@mx.festo.com)  
[www.festo.com/mx](http://www.festo.com/mx)



## Canada

### Headquarters

Festo Inc.  
5300 Explorer Drive  
Mississauga, Ontario L4W 5G4  
Call: 1.905.624.9000  
Fax: 1.905.624.9001  
Email: [info.ca@ca.festo.com](mailto:info.ca@ca.festo.com)  
[www.festo.com/ca](http://www.festo.com/ca)



## Festo Worldwide

Argentina Australia Austria Belarus Belgium Brazil Bulgaria Canada Chile China Colombia Croatia Czech Republic Denmark  
Estonia Finland France Germany Great Britain Greece Hong Kong Hungary India Indonesia Iran Ireland Israel Italy Japan  
Latvia Lithuania Malaysia Mexico Netherlands New Zealand Norway Peru Philippines Poland Romania Russia Serbia Singapore  
Slovakia Slovenia South Africa South Korea Spain Sweden Switzerland Taiwan Thailand Turkey Ukraine United States Venezuela

[www.festo.com](http://www.festo.com)