

Distribution Blocks MS12-FRM – Metric Series

FESTO



Distributor blocks provide additional air outlets to create separate pressure or air quality branches, or to attach pressure sensors.

- Pneumatic connection: G1, G1¼, G1½, G2
- Operating pressure: 0 ... 21 bar
- Flow rate: 25,000 ... 42,000 l/min

Product Range Overview								
Type	Pneumatic connections		Pressure indicator					Reverse flow
	Body thread	Port plate	Cover plate (without pressure gauge)	Integrated MS pressure gauge	Adapter for pressure gauge G1/8	Adapter for pressure gauge G1/4	Pressure sensor with display	Flow direction from right to left
MS12		AG...	VS	AG	A8	A4	AD...	Z
FRM	–	G1, G1¼, G1½, G2	■	–	–	–	–	■

Features

- Pneumatic manifold with 4 connections
- Attachment facility for auxiliary modules
- Outlet top and bottom
- Can be used as an intermediate distributor for varying air qualities

Contents

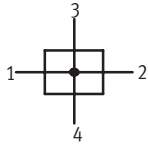
Technical Data	→ 1236
Dimensional Drawings	→ 1237
Ordering Data	→ 1237
Accessories	→ 1239

→ www.festo.com/catalog/ms12-frm

Distribution Blocks MS12-FRM – Metric Series

Technical Data

ISO Symbol



General Technical Data				
Pneumatic connection 1, 2 ¹⁾	G1	G1¼	G1½	G2
Pneumatic connection 3	G2			
Pneumatic connection 4	G1			
Operating pressure [bar]	0 ... 21			

1) Dependent on port plate selected, must be ordered separately as an accessory → 1240

Note: This product conforms with the ISO 1179-1 standard and the ISO 228-1 standard.

Standard Nominal Flow Rate $q_{nN}^{(2)}$ [l/min]	
In main flow direction 1 → 2	25,000 ... 42,000

2) Dependent on port plate selected, must be ordered separately as an accessory → 1240
Measured at $p_1 = 6$ bar and $p_2 = 5$ bar, $\Delta p = 1$ bar

Operating and Environmental Conditions	
Operating medium	Compressed air
Ambient temperature [°C]	-10 ... +60
Temperature of medium [°C]	-10 ... +60
Storage temperature [°C]	-10 ... +60
Assembly position	Any
Corrosion resistance CRC ³⁾	2

3) Corrosion resistance class 2 according to Festo standard 940 070
Components requiring moderate corrosion resistance. Externally visible parts with primarily decorative surface requirements which are in direct contact with a normal industrial environment or media such as coolants or lubricating agents.

Weights [g]	
Distribution block	3,000

• For spare parts go to: www.festo.com/en/spare_parts_service

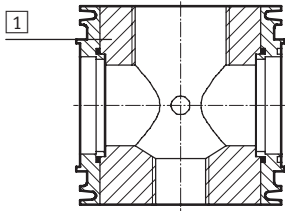
Distribution Blocks MS12-FRM – Metric Series

Technical Data, Ordering Data – Pre-configured Products



Materials

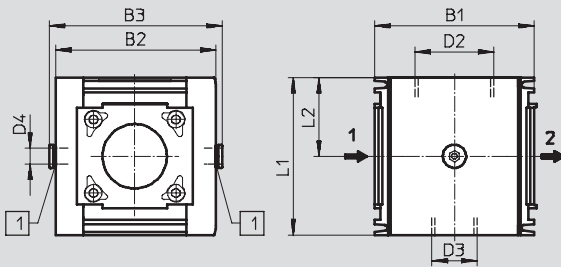
Sectional view



Distribution block		
1	Body	Die-cast aluminum
-	Seals	Nitrile rubber
	Note on materials	Free of copper and PTFE

Dimensions¹⁾ – Standard

Download CAD Data → www.festo.com/us/cad



1 G $\frac{1}{4}$ Female thread in body, sealed with cover plate by default

→ Flow direction

B1	B2	B3	D2	D3	D4	L1	L2
124	124	134	G2	G1	G $\frac{1}{4}$	122	61

1) Dimensions are in millimeters, unless otherwise noted.

Ordering Data

Connection	Part No.	Type	LT
G1 ... G2 ²⁾	541681	MS12-FRM-G ³⁾	Q

LT = Lead time

1D typically ships same day/next day

1W typically ships within 1 week

Q request a quote for lead time

2) Port plate must be ordered separately as an accessory → 1240

3) Free of copper and PTFE

Note: This product conforms with the ISO 1179-1 standard and the ISO 228-1 standard.

Distribution Blocks MS12-FRM – Metric Series



Ordering Data – Configurable Products

M Mandatory Data					O Options
Part No.	Series	Size	Function	Connection size	Type of mounting
535035	MS	12	FRM	AGF AGG AGH AGI G	WP
Order example					
535035	MS	12	FRM	AGF	WP

Ordering Table						
Grid dimension		[mm]	124	Conditions	Code	Enter code
M	Part No.	535035				
	Series	Standard			MS	MS
	Size	12			12	12
	Function	Distribution block			-FRM	-FRM
	Connection size	Port plate G1 (dimensions → 1240)			-AGF	
		Port plate G1¼ (dimensions → 1240)			-AGG	
		Port plate G1½ (dimensions → 1240)			-AGH	
		Port plate G2 (dimensions → 1240)			-AGI	
		Module without connecting thread, without port plate			-G	
O	Type of mounting	Mounting bracket (dimensions → 1241)		1	-WP	

1 WP Only with port plate AGF, AGG, AGH or AGI

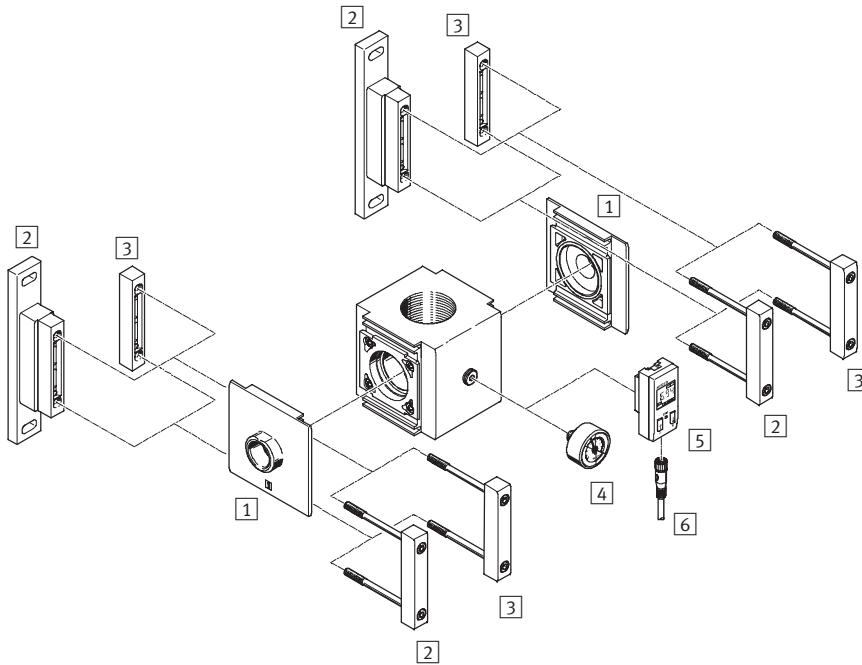
Transfer order code

535035	MS	12	FRM		
--------	----	----	-----	--	--

Distribution Blocks MS12-FRM – Metric Series

Accessories Overview

Mounting Attachments and Accessories



Mounting Attachments and Accessories		→ Page
1	Port plate MS12-AG...	1240
2	Mounting bracket MS12-WP	1241
3	Body connector MS12-MV	1240
4	Pressure gauge MA	1243
5	Pressure sensor SDE1-...-R14/R18	1242
6	Plug socket with cable SIM-M8-3.../SIM-M8-4.../SIM-M12-3...	1243

Distribution Blocks MS12-FRM – Metric Series



Accessories

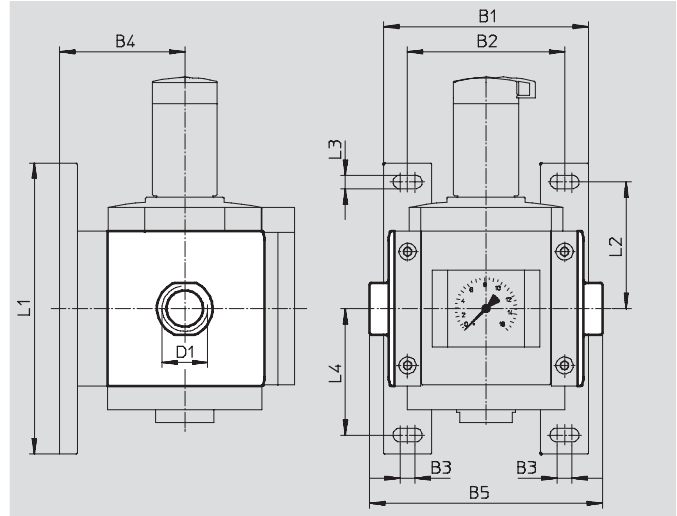
1 Port plate MS12-AG...

- Adapter for pneumatic connection

Material:

Die-cast aluminum

Free of copper and PTFE



Dimensions and Ordering Data												Part No.	Type
B1	B2	B3	B4	B5	D1	L1	L2	L3	L4	Weight [g]			
162	124	12	99	184	G1	230	100	11	100	1,300	537135	MS12-AGF	
				184	G1¼						537136	MS12-AGG	
				184	G1½						537137	MS12-AGH	
				196	G2						537138	MS12-AGI	

3 Body connector MS12-MV

- For connecting modules

Material:

Die-cast aluminum,

Free of copper and PTFE



Ordering Data			
Size	Weight [g]	Part No.	Type
MS12	500	537134	MS12-MV

Distribution Blocks MS12-FRM – Metric Series

FESTO

Accessories

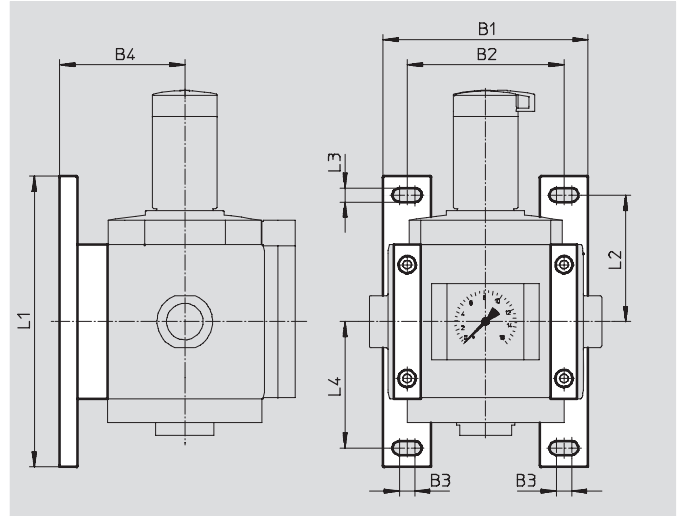
2 Mounting bracket MS12-WP

- To connect the modules for wall mounting
- In combination with a port plate for mounting an individual unit on a wall

Material:

Die-cast aluminum

Free of copper and PTFE



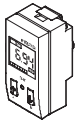
Dimensions and Ordering Data

Size	B1	B2	B3	B4	L1	L2	L3	L4	Weight [g]	Part No.	Type
MS12	162	124	12	99	230	100	11	100	700	537133	MS12-WP

Distribution Blocks MS12-FRM – Metric Series




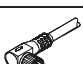
Accessories


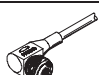
5 Ordering Data – Pressure Sensor SDE1						Technical data → www.festo.com/catalog/sde1		
Pneumatic connection	Electrical output	Electrical connection	Display	Order code	Part No.	Type		
Pressure sensor SDE1 for direct mounting on the service unit with pressure gauge connection (adapter for pneumatic connection included in scope of delivery), pressure measuring range 0 ... 10 bar, relative pressure measurement								
	Male thread R $\frac{1}{8}$	1 switch output PNP	M8x1, 3-pin	LCD	–	192026	SDE1-D10-G2-R18-C-P1-M8	
			M8x1, 3-pin	Illuminated LCD	–	529970	SDE1-D10-G2-R18-L-P1-M8	
			M12x1, 3-pin	Illuminated LCD	–	534064	SDE1-D10-G2-R18-L-P1-M12	
		2 switch outputs PNP	M8x1, 4-pin	LCD	–	192027	SDE1-D10-G2-R18-C-P2-M8	
			M8x1, 4-pin	Illuminated LCD	–	529971	SDE1-D10-G2-R18-L-P2-M8	
			1 switch output PNP and 0 ... 10 V analog	M8x1, 4-pin	LCD	–	529958	SDE1-D10-G2-R18-C-PU-M8
		M8x1, 4-pin		Illuminated LCD	–	529972	SDE1-D10-G2-R18-L-PU-M8	
		Male thread R $\frac{1}{4}$	1 switch output PNP	M8x1, 3-pin	LCD	–	192028	SDE1-D10-G2-R14-C-P1-M8
				M8x1, 3-pin	Illuminated LCD	–	529967	SDE1-D10-G2-R14-L-P1-M8
	M12x1, 3-pin			Illuminated LCD	–	534157	SDE1-D10-G2-R14-L-P1-M12	
	2 switch outputs PNP		M8x1, 4-pin	LCD	–	192029	SDE1-D10-G2-R14-C-P2-M8	
			M8x1, 4-pin	Illuminated LCD	–	529968	SDE1-D10-G2-R14-L-P2-M8	
	1 switch output PNP and 0 ... 10 V analog		M8x1, 4-pin	LCD	–	529957	SDE1-D10-G2-R14-C-PU-M8	
			M8x1, 4-pin	Illuminated LCD	–	529969	SDE1-D10-G2-R14-L-PU-M8	


Distribution Blocks MS12-FRM – Metric Series

Accessories

FESTO

6 Ordering Data – Plug Socket with Cable SIM-M8			Technical data → www.festo.com/catalog/sim-m8	
	Electrical connection	Cable length [m]	Part No.	Type
	M8x1, 3-pin	2.5	159420	SIM-M8-3GD-2,5-PU
		5	159421	SIM-M8-3GD-5-PU
		10	192964	SIM-M8-3GD-10-PU
	M8x1, 4-pin	2.5	158960	SIM-M8-4GD-2,5-PU
		5	158961	SIM-M8-4GD-5-PU
	M8x1, 3-pin	2.5	159422	SIM-M8-3WD-2,5-PU
		5	159423	SIM-M8-3WD-5-PU
		10	192965	SIM-M8-3WD-10-PU
	M8x1, 4-pin	2.5	158962	SIM-M8-4WD-2,5-PU
		5	158963	SIM-M8-4WD-5-PU

Ordering Data – Plug Socket with Cable SIM-M12			Technical data → www.festo.com/catalog/sim-m12	
	Electrical connection	Cable length [m]	Part No.	Type
	M12x1, 3-pin	2.5	159428	SIM-M12-3GD-2,5-PU
		5	159429	SIM-M12-3GD-5-PU
	M12x1, 3-pin	2.5	159430	SIM-M12-3WD-2,5-PU
		5	159431	SIM-M12-3WD-5-PU

4 Ordering Data – Pressure Gauge MA				Technical data → www.festo.com/catalog/ma		
	Nominal size	Pneumatic connection	Indicating range		Part No.	Type
			[bar]	[psi]		
	Pressure gauge MA, DIN EN 837-1					
	40	G $\frac{1}{4}$	0 ... 16	0 ... 232	183901	MA-40-16-G $\frac{1}{4}$ -EN
	Pressure gauge MA, DIN EN 837-1, with red-green range					
	50	R $\frac{1}{4}$	0 ... 16	–	525729	MA-50-16-R $\frac{1}{4}$ -E-RG

Distribution Blocks MS12N-FRM – Inch Series

FESTO



Distributor blocks provide additional air outlets to create separate pressure or air quality branches, or to attach pressure sensors.

- Pneumatic connection: 1 NPT, 1¼ NPT, 1½ NPT, 2 NPT
- Operating pressure: 0 ... 309 psi
- Flow rate: 882.5 ... 1,482.6 scfm

Product Range Overview								
Type	Pneumatic connections		Pressure indicator					Reverse flow
	Body thread	Port plate	Cover plate (without pressure gauge)	Integrated MS pressure gauge	Adapter for pressure gauge 1/8 NPT	Adapter for pressure gauge 1/4 NPT	Pressure sensor with display	Flow direction from right to left
MS12N		AG...	VS	AG	A8	A4	AD...	Z
FRM	–	1 NPT, 1¼ NPT, 1½ NPT, 2 NPT	■	–	–	–	–	■

Features

- Pneumatic manifold with 4 connections
- Attachment facility for auxiliary modules
- Outlet top and bottom
- Can be used as an intermediate distributor for varying air qualities

Contents

Technical Data	➔ 1246
Dimensional Drawings	➔ 1247
Ordering Data	➔ 1247
Accessories	➔ 1249

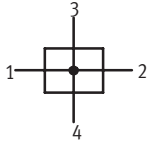
➔ www.festo.com/catalog/ms12n-frm

Distribution Blocks MS12N-FRM – Inch Series

FESTO

Technical Data

ISO Symbol



General Technical Data				
Pneumatic connection 1, 2 ¹⁾	1 NPT	1¼ NPT	1½ NPT	2 NPT
Pneumatic connection 3	2 NPT			
Pneumatic connection 4	1 NPT			
Operating pressure [psi]	0 ... 309			

1) Dependent on port plate selected, must be ordered separately as an accessory → 1250

Standard Nominal Flow Rate q_{N^2} [scfm]	
In main flow direction 1 → 2	882.5 ... 1,482.6

2) Dependent on port plate selected, must be ordered separately as an accessory → 1250
Measured at $p_1 = 88$ psi and $p_2 = 74$ psi, $\Delta p = 15$ psi

Operating and Environmental Conditions	
Operating medium	Compressed air
Ambient temperature [°F]	14 ... 140
Temperature of medium [°F]	14 ... 140
Storage temperature [°F]	14 ... 140
Assembly position	Any
Corrosion resistance CRC ³⁾	2

3) Corrosion resistance class 2 according to Festo standard 940 070
Components requiring moderate corrosion resistance. Externally visible parts with primarily decorative surface requirements which are in direct contact with a normal industrial environment or media such as coolants or lubricating agents.

Weights [lb]	
Distribution block	6.00

• For spare parts go to: www.festo.com/en/spare_parts_service

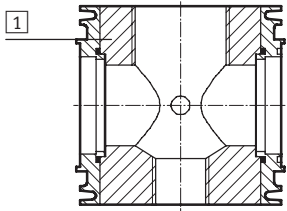
Distribution Blocks MS12N-FRM – Inch Series

Technical Data, Ordering Data – Pre-configured Products



Materials

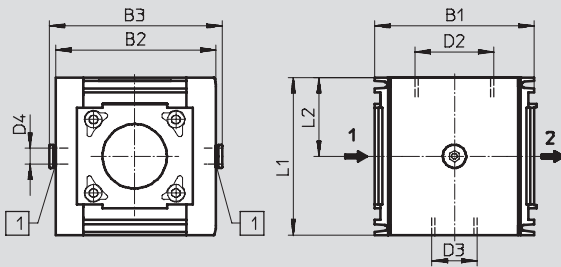
Sectional view



Distribution block		
1	Body	Die-cast aluminum
-	Seals	Nitrile rubber
	Note on materials	Free of copper and PTFE

Dimensions¹⁾ – Standard

Download CAD Data → www.festo.com/us/cad



1 ¼ NPT Female thread in body, sealed with cover plate by default

→ Flow direction

B1	B2	B3	D2	D3	D4	L1	L2
4.88	4.88	5.28	2NPT	1NPT	¼NPT	4.80	2.40

1) Dimensions are in inches, unless otherwise noted.

Ordering Data

Connection	Part No.	Type	LT
1 NPT ... 2 NPT ²⁾	541682	MS12N-FRM-G ³⁾	Q

LT = Lead time

1D typically ships same day/next day

1W typically ships within 1 week

Q request a quote for lead time

2) Port plate must be ordered separately as an accessory → 1250

3) Free of copper and PTFE

Distribution Blocks MS12N-FRM – Inch Series



Ordering Data – Configurable Products

M Mandatory Data						O Options
Part No.	Series	Size	Thread	Function	Connection size	Type of mounting
535040	MS	12	N	FRM	AQT AQU AQV AQW G	WP
Order example						
535040	MS	12	N	- FRM	- AQT	- WP

Ordering Table						
Grid dimension	[mm]	124	Conditions	Code	Enter code	
M	Part No.	535040				
	Series	Standard		MS		MS
	Size	12		12		12
	Thread	NPT thread		N		N
	Function	Distribution block		-FRM		-FRM
	Connection size	Port plate 1 NPT (dimensions → 1250)		-AQT		
		Port plate 1¼ NPT (dimensions → 1250)		-AQU		
		Port plate 1½ NPT (dimensions → 1250)		-AQV		
		Port plate 2 NPT (dimensions → 1250)		-AQW		
		Module without connecting thread, without port plate		-G		
O	Type of mounting	Mounting bracket (dimensions → 1251)	1	-WP		

1 WP Only with port plate AQT, AQU, AQV or AQW

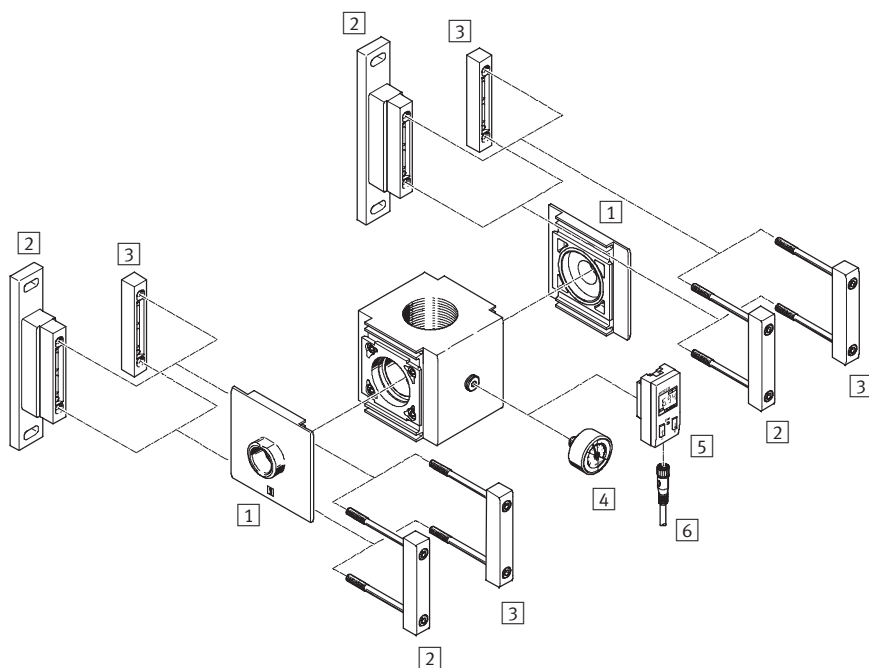
Transfer order code

535040	MS	12	N	- FRM	-		-	
--------	----	----	---	-------	---	--	---	--

Distribution Blocks MS12N-FRM – Inch Series

Accessories Overview

Mounting Attachments and Accessories



Mounting Attachments and Accessories

		→ Page
1	Port plate MS12-AQ...	1250
2	Mounting bracket MS12-WP	1251
3	Body connector MS12-MV	1250
4	Pressure gauge MA	1253
5	Pressure sensor SDE1-...-R14/R18	1252
6	Plug socket with cable SIM-M8-3.../SIM-M8-4.../SIM-M12-3...	1253

Distribution Blocks MS12N-FRM – Inch Series

Accessories

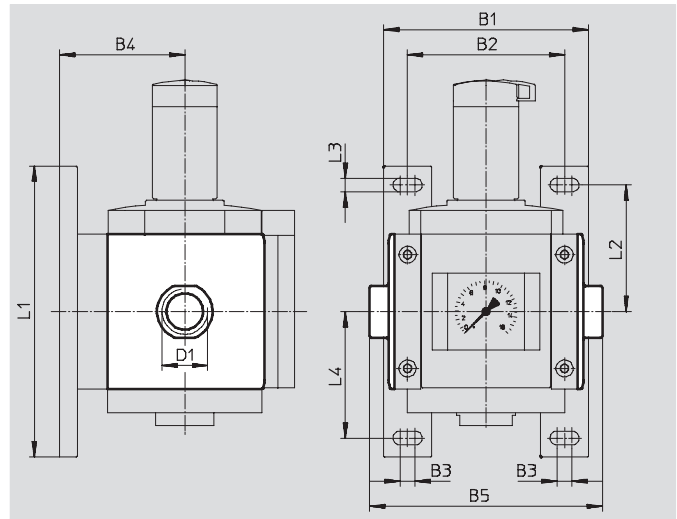
1 Port plate MS12-AQ...

- Adapter for pneumatic connection

Material:

Die-cast aluminum

Free of copper and PTFE



Dimensions and Ordering Data												Part No.	Type
B1	B2	B3	B4	B5	D1	L1	L2	L3	L4	Weight [lb]			
6.38	4.88	0.47	3.90	7.24	1 NPT	9.06	3.94	0.43	3.94	2.60		537139	MS12-AQT
				7.24	1¼ NPT							537140	MS12-AQU
				7.24	1½ NPT							537141	MS12-AQV
				7.72	2 NPT							537142	MS12-AQW

3 Body connector MS12-MV

- For connecting modules

Material:

Die-cast aluminum,

Free of copper and PTFE



Ordering Data			
Size	Weight [lb]	Part No.	Type
MS12	1.00	537134	MS12-MV

Distribution Blocks MS12N-FRM – Inch Series

Accessories

FESTO

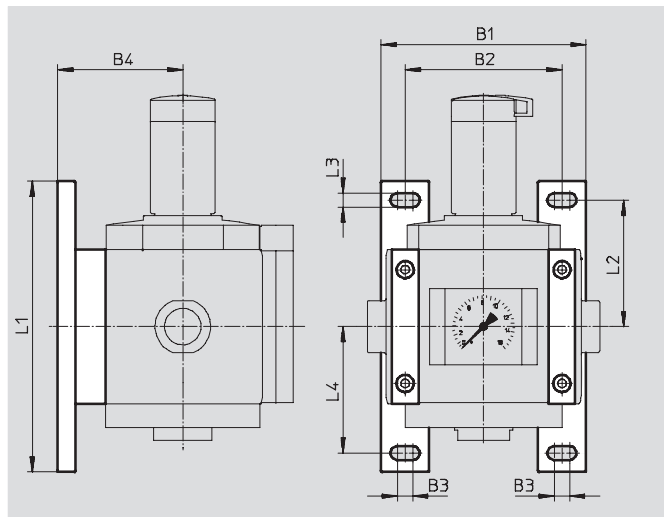
2 Mounting bracket MS12-WP

- To connect the modules for wall mounting
- In combination with a port plate for mounting an individual unit on a wall

Material:

Die-cast aluminum

Free of copper and PTFE

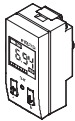


Dimensions and Ordering Data											
Size	B1	B2	B3	B4	L1	L2	L3	L4	Weight [[b]	Part No.	Type
MS12	6.38	4.88	0.47	3.90	9.06	3.94	0.43	3.94	1.40	537133	MS12-WP

Distribution Blocks MS12N-FRM – Inch Series




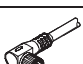
Accessories



5 Ordering Data – Pressure Sensor SDE1						Technical data → www.festo.com/catalog/sde1		
Pneumatic connection	Electrical output	Electrical connection	Display	Order code	Part No.	Type		
Pressure sensor SDE1 for direct mounting on the service unit with pressure gauge connection (adapter for pneumatic connection included in scope of delivery), pressure measuring range 0 ... 147 psi, relative pressure measurement								
	Male thread R $\frac{1}{8}$	1 switch output PNP	M8x1, 3-pin	LCD	–	192026	SDE1-D10-G2-R18-C-P1-M8	
			M8x1, 3-pin	Illuminated LCD	–	529970	SDE1-D10-G2-R18-L-P1-M8	
			M12x1, 3-pin	Illuminated LCD	–	534064	SDE1-D10-G2-R18-L-P1-M12	
		2 switch outputs PNP	M8x1, 4-pin	LCD	–	192027	SDE1-D10-G2-R18-C-P2-M8	
			M8x1, 4-pin	Illuminated LCD	–	529971	SDE1-D10-G2-R18-L-P2-M8	
			1 switch output PNP and 0 ... 10 V analog	M8x1, 4-pin	LCD	–	529958	SDE1-D10-G2-R18-C-PU-M8
		M8x1, 4-pin		Illuminated LCD	–	529972	SDE1-D10-G2-R18-L-PU-M8	
		Male thread R $\frac{1}{4}$	1 switch output PNP	M8x1, 3-pin	LCD	–	192028	SDE1-D10-G2-R14-C-P1-M8
				M8x1, 3-pin	Illuminated LCD	–	529967	SDE1-D10-G2-R14-L-P1-M8
	M12x1, 3-pin			Illuminated LCD	–	534157	SDE1-D10-G2-R14-L-P1-M12	
	2 switch outputs PNP		M8x1, 4-pin	LCD	–	192029	SDE1-D10-G2-R14-C-P2-M8	
			M8x1, 4-pin	Illuminated LCD	–	529968	SDE1-D10-G2-R14-L-P2-M8	
	1 switch output PNP and 0 ... 10 V analog		M8x1, 4-pin	LCD	–	529957	SDE1-D10-G2-R14-C-PU-M8	
			M8x1, 4-pin	Illuminated LCD	–	529969	SDE1-D10-G2-R14-L-PU-M8	


Distribution Blocks MS12N-FRM – Inch Series

Accessories

FESTO

6 Ordering Data – Plug Socket with Cable SIM-M8			Technical data → www.festo.com/catalog/sim-m8	
	Electrical connection	Cable length [ft]	Part No.	Type
	M8x1, 3-pin	8.2	159420	SIM-M8-3GD-2,5-PU
		16.4	159421	SIM-M8-3GD-5-PU
		32.8	192964	SIM-M8-3GD-10-PU
	M8x1, 4-pin	8.2	158960	SIM-M8-4GD-2,5-PU
		16.4	158961	SIM-M8-4GD-5-PU
	M8x1, 3-pin	8.2	159422	SIM-M8-3WD-2,5-PU
		16.4	159423	SIM-M8-3WD-5-PU
		32.8	192965	SIM-M8-3WD-10-PU
	M8x1, 4-pin	8.2	158962	SIM-M8-4WD-2,5-PU
		16.4	158963	SIM-M8-4WD-5-PU

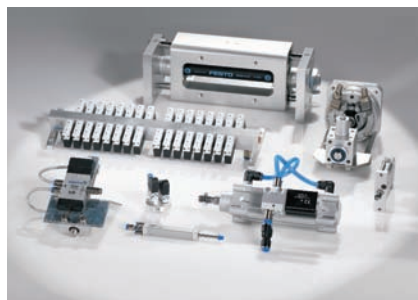
Ordering Data – Plug Socket with Cable SIM-M12			Technical data → www.festo.com/catalog/sim-m12	
	Electrical connection	Cable length [ft]	Part No.	Type
	M12x1, 3-pin	8.2	159428	SIM-M12-3GD-2,5-PU
		16.4	159429	SIM-M12-3GD-5-PU
	M12x1, 3-pin	8.2	159430	SIM-M12-3WD-2,5-PU
		16.4	159431	SIM-M12-3WD-5-PU

4 Ordering Data – Pressure Gauge MA				Technical data → www.festo.com/catalog/ma		
	Nominal size	Pneumatic connection	Indicating range		Part No.	Type
			[bar]	[psi]		
	Pressure gauge MA, DIN EN 837-1					
	1.57	R $\frac{1}{4}$	0 ... 16	0 ... 232	187080	MA-40-16-R $\frac{1}{4}$ -EN
	Pressure gauge MA, DIN EN 837-1, with red-green range					
	1.97	R $\frac{1}{4}$	–	0 ... 232	526790	MA-50-232-R $\frac{1}{4}$ -PSI-E-RG

Product Range and Company Overview

A Complete Suite of Automation Services

Our experienced engineers provide complete support at every stage of your development process, including: conceptualization, analysis, engineering, design, assembly, documentation, validation, and production.



Custom Automation Components
Complete custom engineered solutions



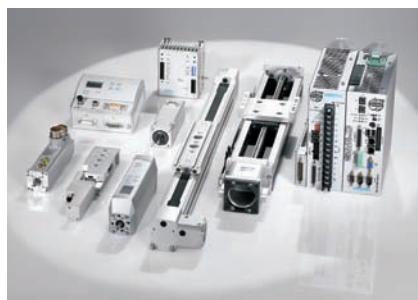
Custom Control Cabinets
Comprehensive engineering support
and on-site services



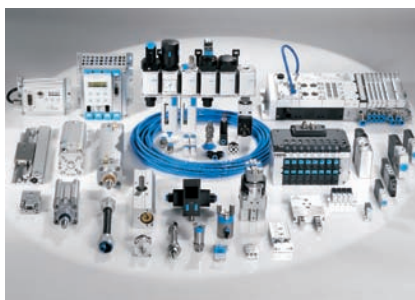
Complete Systems
Shipment, stocking and storage services

The Broadest Range of Automation Components

With a comprehensive line of more than 30,000 automation components, Festo is capable of solving the most complex automation requirements.



Electromechanical
Electromechanical actuators, motors,
controllers & drives



Pneumatics
Pneumatic linear and rotary actuators,
valves, and air supply



PLCs and I/O Devices
PLC's, operator interfaces, sensors
and I/O devices

Supporting Advanced Automation... As No One Else Can!

Festo is a leading global manufacturer of pneumatic and electromechanical systems, components and controls for industrial automation, with more than 11,500 employees in 56 national headquarters serving more than 180 countries. For more than 80 years, Festo has continuously elevated the state of manufacturing with innovations and optimized motion control solutions that deliver higher performing, more profitable automated manufacturing and processing equipment. Our dedication to the advancement of automation extends beyond technology to the education and development of current and future automation and robotics designers with simulation tools, teaching programs, and on-site services.

Quality Assurance, ISO 9001 Certification

Festo Corporation is committed to provide Festo products and services that will meet or exceed our customers' requirements in product quality, delivery, customer service and satisfaction.

All Festo locations within the United States are registered to ISO 9001.



Festo North America

United States

Customer Resource Center

502 Earth City Expy., Suite 125
Earth City, MO 63045

For ordering assistance, or to find
your nearest Festo Distributor,

Call: 1.800.99.FESTO

Fax: 1.800.96.FESTO

Email: customer.service@us.festo.com

For technical support,

Call: 1.866.GO.FESTO

Fax: 1.800.96.FESTO

Email: product.support@us.festo.com

Headquarters

Festo Corporation
395 Moreland Road
P.O. Box 18023
Hauppauge, NY 11788
www.festo.com/us

Sales Offices

Appleton

N. 922 Tower View Drive, Suite N
Greenville, WI 54942

Boston

120 Presidential Way, Suite 330
Woburn, MA 01801

Chicago

1441 East Business Center Drive
Mt. Prospect, IL 60056

Dallas

1825 Lakeway Drive, Suite 600
Lewisville, TX 75057

Detroit - Automotive Engineering Center

2601 Cambridge Court, Suite 320
Auburn Hills, MI 48326

New York

395 Moreland Road
Hauppauge, NY 11788

Silicon Valley

2800 Collier Canyon Road
Livermore, CA 94550

Design and Manufacturing Operations



East: 395 Moreland Road, Hauppauge, NY 11788



Central: 1441 East Business Center Drive, Mt. Prospect, IL 60056



West: 2800 Collier Canyon Road, Livermore, CA 94550

Mexico

Headquarters

Festo Pneumatic, S.A.
Av. Ceylán 3, Col. Tequesquahuac
54020 Tlalnepantla, Edo. de México
Call: 011 52 [55] 53 21 66 00
Fax: 011 52 [55] 53 21 66 65
Email: festo.mexico@mx.festo.com
www.festo.com/mx



Canada

Headquarters

Festo Inc.
5300 Explorer Drive
Mississauga, Ontario L4W 5G4
Call: 1.905.624.9000
Fax: 1.905.624.9001
Email: info.ca@ca.festo.com
www.festo.com/ca



Festo Worldwide

Argentina Australia Austria Belarus Belgium Brazil Bulgaria Canada Chile China Colombia Croatia Czech Republic Denmark
Estonia Finland France Germany Great Britain Greece Hong Kong Hungary India Indonesia Iran Ireland Israel Italy Japan
Latvia Lithuania Malaysia Mexico Netherlands New Zealand Norway Peru Philippines Poland Romania Russia Serbia Singapore
Slovakia Slovenia South Africa South Korea Spain Sweden Switzerland Taiwan Thailand Turkey Ukraine United States Venezuela

www.festo.com