

One-Shot Solenoid Insert

With Light-Emitting Diode (LED)

For Solenoid Coils, Type MSFG, MSFW
Type MFZ-1A-...

For Solenoid Coils
Type MSG, MSW
Type MCZ-1A-...

The one-shot insert is an electronic timer which converts an electronic signal ≥ 1 s into an electrical output signal with a duration of 1 second.

If the input signal is shorter than 1s, then the duration of the output signal equals the duration of the input signal. The yellow LED illuminates for the duration of the output signal.

Both inserts are installed between the solenoid coil and socket.

Both insert packages include:
1 insert, 1 flat gasket,
1 long bolt for socket mounting

Time-Delay Solenoid Insert

With Light-Emitting Diode (LED)

For Solenoid Coils, Type MSFG, MSFW
Type MFZ-O-10E-...

For Solenoid Coils
Type MSG, MSW
Type MCZ-O-10E...

The time-delay insert is an electronic timer which generates an electronic output signal after an adjustable delay time of between 0 and 10 seconds.

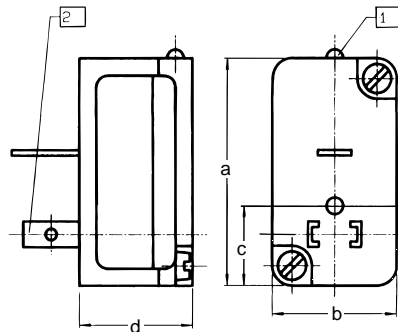
The duration of the input signal must be greater than the selected delay time plus the desired output signal duration. If the input signal is shorter than the selected delay, no output signal is generated.

The yellow LED illuminates for the duration of the output signal.

Both inserts are installed between the solenoid coil and socket.

Both insert packages include:
1 insert, 1 flat gasket,
1 long bolt for socket mounting

Type MFZ-...



Dimensions

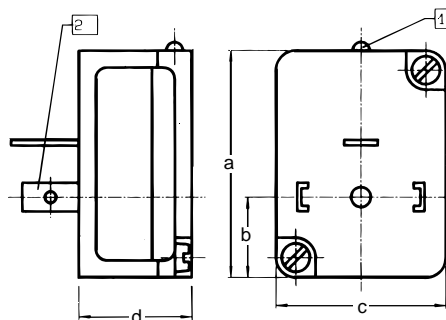
- a 1.57 in / 40 mm
- b 0.55 in / 14 mm
- c 0.87 in / 22 mm
- d 0.79 in / 20 mm

- 1 LED
- 2 Connection for "F" solenoid and socket



Order Number	10044 MFZ-0-10E-24=	10045 MFZ-0-10E-220/50
Voltages	24V DC = +15%	220V / 50 to 60 Hz ~ +12% -8%
Contact Rating	50 W	75 W
Repetition accuracy of switching time	± 0.02 s	
Electrical Connection	For solenoids using "F" type plugs or other similar components using the same type plug.	
Type of protection as per DIN 40050	IP 64	
Temperature Range	-68° to +104°F / -20° to +40°C	
Material	Housing: Plastic	
Weight	0.053 lb / 0.024 kg	

Type MCZ-...



Dimensions

- a 1.57 in / 40 mm
- b 0.55 in / 14 mm
- c 1.18 in / 30 mm
- d 0.79 in / 20 mm

- 1 LED
- 2 Connection for "N1" solenoid and socket



Order Number	8755 MCZ-0-10E-24=	8756 MCZ-0-10E-220/50
Voltages	24V DC = +15%	220V / 50 to 60 Hz ~ +12% -8%
Contact Rating	50 W	75 W
Repetition accuracy of switching time	± 0.02 s	
Electrical Connection	For solenoids using "N1" type plugs or other similar connectors in accordance with DIN 43650.	
Type of protection as per DIN 40050	IP 64	
Temperature Range	-68° to +104°F / -20° to +40°C	
Material	Housing: Plastic	
Weight	0.055 lb / 0.025 kg	